

System x iDataPlex dx360 M4 Types 7912 and 7913



Problem Determination and Service Guide

System x iDataPlex dx360 M4 Types 7912 and 7913



Problem Determination and Service Guide

Note: Before using this information and the product it supports, read the information in Appendix B, "Notices," on page 369, the *IBM Safety Information* and *Environmental Notices and User Guide* documents on the *IBM Documentation CD*, and the *Warranty Information* document.

The most recent version of this document is available at <http://www.ibm.com/supportportal/>.

Sixth Edition (April 2014)

© Copyright IBM Corporation 2014.

US Government Users Restricted Rights – Use, duplication or disclosure restricted by GSA ADP Schedule Contract with IBM Corp.

Contents

Safety	vii
Guidelines for trained technicians	viii
Inspecting for unsafe conditions	viii
Guidelines for servicing electrical equipment	ix
Safety statements	x
Chapter 1. Start here.	1
Diagnosing a problem	1
Undocumented problems	3
Chapter 2. Introduction.	5
Related documentation	5
Notices and statements in this document	6
Features and specifications	7
Server controls, LEDs, and power	9
Front view	9
Rear view	11
Server power features	11
Internal LEDs, connectors, and jumpers	13
System-board internal connectors	13
System-board switches and jumpers	14
System-board LEDs	15
Chapter 3. Diagnostics	17
Diagnostic tools	17
Event logs	18
Viewing event logs from the Setup utility	18
Viewing event logs without restarting the server	19
Clearing the error logs	20
POST	20
POST/UEFI diagnostic codes	21
System event log	32
Integrated management module II (IMM2) error messages	32
Checkout procedure	168
About the checkout procedure	168
Performing the checkout procedure	168
Troubleshooting tables	170
General problems	170
Hard disk drive problems	170
Intermittent problems	172
Keyboard, mouse, or pointing-device problems	173
Memory problems	175
Microprocessor problems	177
Monitor and video problems	178
Network connection problems	180
Optional-device problems	180
Power problems	182
Serial-device problems	187
ServerGuide problems	188
Software problems	189
Universal Serial Bus (USB) port problems	189
Video problems	189
Light path diagnostics	189

Power-supply LEDs.	190
System pulse LEDs.	191
Diagnostic programs and messages	192
Running the diagnostic programs.	192
Diagnostic text messages	193
Viewing the test log.	193
Diagnostic messages	193
Recovering the server firmware	255
Automated boot recovery (ABR)	257
Nx boot failure	257
Solving power problems	258
Solving Ethernet controller problems	259
Solving undetermined problems	259
Problem determination tips	260
Chapter 4. Parts listing, System x iDataPlex dx360 M4 Types 7912 and 7913	263
Customer replaceable units for dx360 M4 Type 7912 system-board tray	263
Type 7913 2U chassis components	270
GPGPU enclosure components	271
Structural parts	272
Power cords	273
Chapter 5. Removing and replacing server components	277
Installation guidelines	277
System reliability guidelines.	278
Working inside the server with the power on	279
Handling static-sensitive devices	279
Returning a device or component	280
Removing and replacing consumable and structural parts.	281
Removing the system-board tray from a 2U chassis	281
Installing the system-board tray in a 2U chassis	281
Removing the system-board tray cover	282
Installing the system-board tray cover	282
Removing a GPGPU enclosure	283
Installing a GPGPU enclosure	284
Removing the 2U chassis fan-assembly top cover	285
Installing the 2U chassis fan-assembly top cover	285
Removing the 2U chassis from a rack	286
Installing the 2U chassis in a rack	287
Removing and replacing Tier 1 CRUs	288
Removing the air baffle	288
Installing the air baffle	289
Removing the 2U chassis fan assembly	291
Installing the 2U chassis fan assembly.	292
Removing the system battery	292
Installing the system battery	294
Removing a simple-swap hard disk drive	295
Installing a simple-swap hard disk drive	296
Removing the power cord from the rail with power cord mounting bracket	298
Installing the power cord to the rail with power cord mounting bracket	299
Removing the power cord from the rail without power cord mounting bracket	300
Installing the power cord to the rail without power cord mounting bracket	301
Removing a simple-swap SAS/SATA drive cage	301
Installing a simple-swap SAS/SATA drive cage.	302
Removing a power-supply paddle card from the tray	303

Installing a power-supply paddle card in the tray	304
Removing a PCIe riser-card assembly from the system-board tray	304
Installing a PCI riser-card assembly on the system-board tray	305
Removing a PCIe adapter from a PCI riser-card assembly	306
Installing an adapter	307
Removing a memory module	311
Installing a memory module.	312
Removing a power supply from a 2U chassis	317
Installing a power supply in a 2U chassis.	319
Removing a power supply cage from a 2U chassis	322
Installing a power supply cage in a 2U chassis.	323
Removing the optional dual-port network adapter.	323
Installing the optional dual-port network adapter	324
Removing a GPGPU enclosure	325
Installing a GPGPU enclosure	326
Removing and replacing Tier 2 CRUs	326
Removing a microprocessor and heat sink	327
Installing a microprocessor and heat sink.	330
Removing the system-board tray	337
Installing the system-board tray	340
Chapter 6. Configuration information and instructions	343
Updating the firmware	343
Configuring the server.	344
Using the ServerGuide Setup and Installation CD.	345
Using the Setup utility	347
Using the Boot Manager program	352
Starting the backup server firmware.	353
Using the integrated management module II	353
Using the remote presence capability and blue-screen capture	355
Using the embedded hypervisor	356
Setting the PXE boot protocol using the Setup utility	357
Configuring the Gigabit Ethernet controller	357
Using the LSI Configuration Utility program	358
IBM Advanced Settings Utility program.	360
Updating IBM Systems Director	360
Updating the Universal Unique Identifier (UUID)	361
Updating the DMI/SMBIOS data	363
Appendix A. Getting help and technical assistance	367
Before you call	367
Using the documentation.	367
Getting help and information from the World Wide Web	367
Software service and support	368
Hardware service and support.	368
IBM Taiwan product service.	368
Appendix B. Notices	369
Trademarks.	369
Important notes	370
Particulate contamination.	371
Documentation format.	371
Telecommunication regulatory statement	372
Electronic emission notices	372
Federal Communications Commission (FCC) statement	372
Industry Canada Class A emission compliance statement.	372

Avis de conformité à la réglementation d'Industrie Canada	372
Australia and New Zealand Class A statement	372
European Union EMC Directive conformance statement	373
Germany Class A statement	373
VCCI Class A statement	374
Japan Electronics and Information Technology Industries Association (JEITA) statement	374
Korea Communications Commission (KCC) statement	374
Russia Electromagnetic Interference (EMI) Class A statement	375
People's Republic of China Class A electronic emission statement	375
Taiwan Class A compliance statement	375
Index	377

Safety

Before installing this product, read the Safety Information.

قبل تركيب هذا المنتج، يجب قراءة الملاحظات الأمنية

Antes de instalar este produto, leia as Informações de Segurança.

在安装本产品之前，请仔细阅读 **Safety Information** (安全信息)。

安裝本產品之前，請先閱讀「安全資訊」。

Prije instalacije ovog produkta obavezno pročitajte Sigurnosne Upute.

Před instalací tohoto produktu si přečtěte příručku bezpečnostních instrukcí.

Læs sikkerhedsforskrifterne, før du installerer dette produkt.

Lees voordat u dit product installeert eerst de veiligheidsvoorschriften.

Ennen kuin asennat tämän tuotteen, lue turvaohjeet kohdasta Safety Information.

Avant d'installer ce produit, lisez les consignes de sécurité.

Vor der Installation dieses Produkts die Sicherheitshinweise lesen.

Πριν εγκαταστήσετε το προϊόν αυτό, διαβάστε τις πληροφορίες ασφάλειας (safety information).

לפני שתתקינו מוצר זה, קראו את הוראות הבטיחות.

A termék telepítése előtt olvassa el a Biztonsági előírásokat!

Prima di installare questo prodotto, leggere le Informazioni sulla Sicurezza.

製品の設置の前に、安全情報をお読みください。

본 제품을 설치하기 전에 안전 정보를 읽으십시오.

Пред да се инсталира овој продукт, прочитајте информацијата за безбедност.

Les sikkerhetsinformasjonen (Safety Information) før du installerer dette produktet.

Przed zainstalowaniem tego produktu, należy zapoznać się z książką "Informacje dotyczące bezpieczeństwa" (Safety Information).

Antes de instalar este produto, leia as Informações sobre Segurança.

Перед установкой продукта прочтите инструкции по технике безопасности.

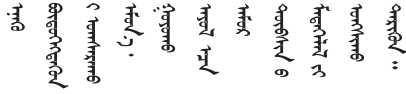
Pred inštaláciou tohto zariadenia si pečítajte Bezpečnostné predpisy.

Pred namestitvijo tega proizvoda preberite Varnostne informacije.

Antes de instalar este producto, lea la información de seguridad.

Läs säkerhetsinformationen innan du installerar den här produkten.

Bu ürünü kurmadan önce güvenlik bilgilerini okuyun.



ཐོན་རྐྱེས་འདི་བདེ་སྐྱོད་མ་བྱས་གོང་། རྫོང་གི་ཡིད་གཟབ་
བྱ་འདྲ་མིན་ཡོད་པའི་འོད་སྟེར་བལྟ་དགོས།

مەزكۇر مەھسۇلاتنى ئورنىتىشتىن بۇرۇن بىخەتەرلىك ئۇچۇرلىرىنى ئوقۇپ چىقىڭ.

Youq mwngz yungh canjbinj neix gaxgonq, itdingh aeu doeg aen
canjbinj soengq cungj vahgangj ancien siusik.

Guidelines for trained technicians

This section contains information for trained technicians.

Inspecting for unsafe conditions

Use the information in this section to help you identify potential unsafe conditions in an IBM product that you are working on. Each IBM product, as it was designed and manufactured, has required safety items to protect users and service technicians from injury. The information in this section addresses only those items. Use good judgment to identify potential unsafe conditions that might be caused by non-IBM alterations or attachment of non-IBM features or options that are not addressed in this section. If you identify an unsafe condition, you must determine how serious the hazard is and whether you must correct the problem before you work on the product.

Consider the following conditions and the safety hazards that they present:

- Electrical hazards, especially primary power. Primary voltage on the frame can cause serious or fatal electrical shock.
- Explosive hazards, such as a damaged CRT face or a bulging capacitor.
- Mechanical hazards, such as loose or missing hardware.

To inspect the product for potential unsafe conditions, complete the following steps:

1. Make sure that the power is off and the power cord is disconnected.
2. Make sure that the exterior cover is not damaged, loose, or broken, and observe any sharp edges.
3. Check the power cord:
 - Make sure that the third-wire ground connector is in good condition. Use a meter to measure third-wire ground continuity for 0.1 ohm or less between the external ground pin and the frame ground.
 - Make sure that the power cord is the correct type, as specified in “Power cords” on page 273.
 - Make sure that the insulation is not frayed or worn.
4. Remove the cover.
5. Check for any obvious non-IBM alterations. Use good judgment as to the safety of any non-IBM alterations.

6. Check inside the server for any obvious unsafe conditions, such as metal filings, contamination, water or other liquid, or signs of fire or smoke damage.
7. Check for worn, frayed, or pinched cables.
8. Make sure that the power-supply cover fasteners (screws or rivets) have not been removed or tampered with.

Guidelines for servicing electrical equipment

Observe the following guidelines when servicing electrical equipment:

- Check the area for electrical hazards such as moist floors, nongrounded power extension cords, power surges, and missing safety grounds.
- Use only approved tools and test equipment. Some hand tools have handles that are covered with a soft material that does not provide insulation from live electrical currents.
- Regularly inspect and maintain your electrical hand tools for safe operational condition. Do not use worn or broken tools or testers.
- Do not touch the reflective surface of a dental mirror to a live electrical circuit. The surface is conductive and can cause personal injury or equipment damage if it touches a live electrical circuit.
- Some rubber floor mats contain small conductive fibers to decrease electrostatic discharge. Do not use this type of mat to protect yourself from electrical shock.
- Do not work alone under hazardous conditions or near equipment that has hazardous voltages.
- Locate the emergency power-off (EPO) switch, disconnecting switch, or electrical outlet so that you can turn off the power quickly in the event of an electrical accident.
- Disconnect all power before you perform a mechanical inspection, work near power supplies, or remove or install main units.
- Before you work on the equipment, disconnect the power cord. If you cannot disconnect the power cord, have the customer power-off the wall box that supplies power to the equipment and lock the wall box in the off position.
- Never assume that power has been disconnected from a circuit. Check it to make sure that it has been disconnected.
- If you have to work on equipment that has exposed electrical circuits, observe the following precautions:
 - Make sure that another person who is familiar with the power-off controls is near you and is available to turn off the power if necessary.
 - When you are working with powered-on electrical equipment, use only one hand. Keep the other hand in your pocket or behind your back to avoid creating a complete circuit that could cause an electrical shock.
 - When you use a tester, set the controls correctly and use the approved probe leads and accessories for that tester.
 - Stand on a suitable rubber mat to insulate you from grounds such as metal floor strips and equipment frames.
- Use extreme care when you measure high voltages.
- To ensure proper grounding of components such as power supplies, pumps, blowers, fans, and motor generators, do not service these components outside of their normal operating locations.
- If an electrical accident occurs, use caution, turn off the power, and send another person to get medical aid.

Safety statements

Important:

Each caution and danger statement in this document is labeled with a number. This number is used to cross reference an English-language caution or danger statement with translated versions of the caution or danger statement in the *Safety Information* document.

For example, if a caution statement is labeled "Statement 1," translations for that caution statement are in the *Safety Information* document under "Statement 1."

Be sure to read all caution and danger statements in this document before you perform the procedures. Read any additional safety information that comes with the server or optional device before you install the device.

Attention: Use No. 26 AWG or larger UL-listed or CSA certified telecommunication line cord.

Statement 1:



DANGER

Electrical current from power, telephone, and communication cables is hazardous.

To avoid a shock hazard:

- **Do not connect or disconnect any cables or perform installation, maintenance, or reconfiguration of this product during an electrical storm.**
- **Connect all power cords to a properly wired and grounded electrical outlet.**
- **Connect to properly wired outlets any equipment that will be attached to this product.**
- **When possible, use one hand only to connect or disconnect signal cables.**
- **Never turn on any equipment when there is evidence of fire, water, or structural damage.**
- **Disconnect the attached power cords, telecommunications systems, networks, and modems before you open the device covers, unless instructed otherwise in the installation and configuration procedures.**
- **Connect and disconnect cables as described in the following table when installing, moving, or opening covers on this product or attached devices.**

To Connect:

1. Turn everything OFF.
2. First, attach all cables to devices.
3. Attach signal cables to connectors.
4. Attach power cords to outlet.
5. Turn device ON.

To Disconnect:

1. Turn everything OFF.
2. First, remove power cords from outlet.
3. Remove signal cables from connectors.
4. Remove all cables from devices.

Statement 2:



CAUTION:

When replacing the lithium battery, use only IBM Part Number 33F8354 or an equivalent type battery recommended by the manufacturer. If your system has a module containing a lithium battery, replace it only with the same module type made by the same manufacturer. The battery contains lithium and can explode if not properly used, handled, or disposed of.

Do not:

- **Throw or immerse into water**
- **Heat to more than 100°C (212°F)**
- **Repair or disassemble**

Dispose of the battery as required by local ordinances or regulations.

Statement 3:



CAUTION:

When laser products (such as CD-ROMs, DVD drives, fiber optic devices, or transmitters) are installed, note the following:

- Do not remove the covers. Removing the covers of the laser product could result in exposure to hazardous laser radiation. There are no serviceable parts inside the device.
- Use of controls or adjustments or performance of procedures other than those specified herein might result in hazardous radiation exposure.



DANGER

Some laser products contain an embedded Class 3A or Class 3B laser diode. Note the following.

Laser radiation when open. Do not stare into the beam, do not view directly with optical instruments, and avoid direct exposure to the beam.



Class 1 Laser Product
Laser Klasse 1
Laser Klass 1
Luokan 1 Laserlaite
Appareil À Laser de Classe 1

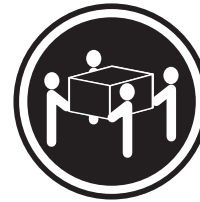
Statement 4:



≥ 18 kg (39.7 lb)



≥ 32 kg (70.5 lb)



≥ 55 kg (121.2 lb)

CAUTION:

Use safe practices when lifting.

Statement 5:



CAUTION:

The power control button on the device and the power switch on the power supply do not turn off the electrical current supplied to the device. The device also might have more than one power cord. To remove all electrical current from the device, ensure that all power cords are disconnected from the power source.



Statement 6:



CAUTION:

Do not place any objects on top of a rack-mounted device unless that rack-mounted device is intended for use as a shelf.

Statement 8:



CAUTION:

Never remove the cover on a power supply or any part that has the following label attached.



Hazardous voltage, current, and energy levels are present inside any component that has this label attached. There are no serviceable parts inside these components. If you suspect a problem with one of these parts, contact a service technician.

Statement 12:



CAUTION:

The following label indicates a hot surface nearby.



Statement 26:



CAUTION:

Do not place any object on top of rack-mounted devices.



Attention: This server is suitable for use on an IT power distribution system whose maximum phase-to-phase voltage is 240 V under any distribution fault condition.

Statement 27:



CAUTION:
Hazardous moving parts are nearby.



Chapter 1. Start here

You can solve many problems without outside assistance by following the troubleshooting procedures in this *Problem Determination and Service Guide* and on the World Wide Web. This document describes the diagnostic tests that you can perform, troubleshooting procedures, and explanations of error messages and error codes. The documentation that comes with your operating system and software also contains troubleshooting information.

Diagnosing a problem

Before you contact IBM or an approved warranty service provider, follow these procedures in the order in which they are presented to diagnose a problem with your server:

1. **Return the server to the condition it was in before the problem occurred.**

If any hardware, software, or firmware was changed before the problem occurred, if possible, reverse those changes. This might include any of the following items:

- Hardware components
- Device drivers and firmware
- System software
- UEFI firmware
- System input power or network connections

2. **View the light path diagnostics LEDs and event logs.**

The server is designed for ease of diagnosis of hardware and software problems.

- **Light path diagnostics LEDs:** See “Light path diagnostics” on page 189 for information about using light path diagnostics LEDs.
- **Event logs:** See “System event log” on page 32 for information about notification events and diagnosis.
- **Software or operating-system error codes:** See the documentation for the software or operating system for information about a specific error code. See the manufacturer’s website for documentation.

3. **Run IBM Dynamic System Analysis (DSA) and collect system data.**

Run Dynamic System Analysis (DSA) to collect information about the hardware, firmware, software, and operating system. Have this information available when you contact IBM or an approved warranty service provider. For instructions for running DSA, see the *Dynamic System Analysis Installation and User’s Guide*.

To download the latest version of DSA code and the *Dynamic System Analysis Installation and User’s Guide*, go to <http://www.ibm.com/support/entry/portal/docdisplay?brand=5000008&Indocid=SERV-DSA>.

4. **Check for and apply code updates.**

Fixes or workarounds for many problems might be available in updated UEFI firmware, device firmware, or device drivers.

Important: Some cluster solutions require specific code levels or coordinated code updates. If the device is part of a cluster solution, verify that the latest level of code is supported for the cluster solution before you update the code.

- a. **Install UpdateXpress system updates.**

You can install code updates that are packaged as an UpdateXpress System Pack or UpdateXpress CD image. An UpdateXpress System Pack contains an integration-tested bundle of online firmware and device-driver updates for your server. In addition, you can use IBM ToolsCenter Bootable Media Creator to create bootable media that is suitable for applying firmware updates and running preboot diagnostics. For more information about UpdateXpress System Packs, see <http://www.ibm.com/support/entry/portal/docdisplay?brand=5000008&Indocid=SERV-XPRESS> and “Updating the firmware” on page 343. For more information about the Bootable Media Creator, see <http://www.ibm.com/support/entry/portal/docdisplay?brand=5000008&Indocid=TOOL-BOMC>.

Be sure to separately install any listed critical updates that have release dates that are later than the release date of the UpdateXpress System Pack or UpdateXpress image (see step 4b).

b. Install manual system updates.

1) Determine the existing code levels.

In DSA, click **Firmware/VPD** to view system firmware levels, or click **Software** to view operating-system levels.

2) Download and install updates of code that is not at the latest level.

To display a list of available updates for the blade server, go to <http://www.ibm.com/support/fixcentral/>.

When you click an update, an information page is displayed, including a list of the problems that the update fixes. Review this list for your specific problem; however, even if your problem is not listed, installing the update might solve the problem.

5. Check for and correct an incorrect configuration.

If the server is incorrectly configured, a system function can fail to work when you enable it; if you make an incorrect change to the server configuration, a system function that has been enabled can stop working.

a. Make sure that all installed hardware and software are supported.

See <http://www.ibm.com/systems/info/x86servers/serverproven/compat/us/> to verify that the server supports the installed operating system, optional devices, and software levels. If any hardware or software component is not supported, uninstall it to determine whether it is causing the problem. You must remove nonsupported hardware before you contact IBM or an approved warranty service provider for support.

b. Make sure that the server, operating system, and software are installed and configured correctly.

Many configuration problems are caused by loose power or signal cables or incorrectly seated adapters. You might be able to solve the problem by turning off the server, reconnecting cables, reseating adapters, and turning the server back on. For information about performing the checkout procedure, see “Checkout procedure” on page 168. For information about configuring the server, see “Configuring the server” on page 344.

6. See controller and management software documentation.

If the problem is associated with a specific function (for example, if a RAID hard disk drive is marked offline in the RAID array), see the documentation for the associated controller and management or controlling software to verify that the controller is correctly configured.

Problem determination information is available for many devices such as RAID and network adapters.

For problems with operating systems or IBM software or devices, go to <http://www.ibm.com/supportportal/>.

7. **Check for troubleshooting procedures and RETAIN tips.**

Troubleshooting procedures and RETAIN tips document known problems and suggested solutions. To search for troubleshooting procedures and RETAIN tips, go to <http://www.ibm.com/supportportal/>.

8. **Use the troubleshooting tables.**

See “Troubleshooting tables” on page 170 to find a solution to a problem that has identifiable symptoms.

A single problem might cause multiple symptoms. Follow the troubleshooting procedure for the most obvious symptom. If that procedure does not diagnose the problem, use the procedure for another symptom, if possible.

If the problem remains, contact IBM or an approved warranty service provider for assistance with additional problem determination and possible hardware replacement. To open an online service request, go to the http://www.ibm.com/support/entry/portal/Open_service_request/ call for service. Be prepared to provide information about any error codes and collected data.

Undocumented problems

If you have completed the diagnostic procedure and the problem remains, the problem might not have been previously identified by IBM. After you have verified that all code is at the latest level, all hardware and software configurations are valid, and no light path diagnostics LEDs or log entries indicate a hardware component failure, contact IBM or an approved warranty service provider for assistance. To open an online service request, go to http://www.ibm.com/support/entry/portal/Open_service_request/ . Be prepared to provide information about any error codes and collected data and the problem determination procedures that you have used.

Chapter 2. Introduction

This *Problem Determination and Service Guide* contains information to help you solve problems that might occur in your IBM® System x iDataPlex™ dx360 M4 system-board tray (dx360 M4 Type 7912 system-board tray) and System x iDataPlex 2U Flex Chassis (Type 7913 2U chassis). It describes the diagnostic tools that come with the server, error codes and suggested actions, and instructions for replacing failing components.

The most recent version of this document is available at <http://www.ibm.com/supportportal/>.

For information about the terms of the warranty, see the *Warranty Information* document that comes with the server. For information about getting service and assistance, see Appendix A, “Getting help and technical assistance,” on page 367.

Related documentation

In addition to this document, the following documentation also comes with the server:

- *Environmental Notices and User Guide*
This document is in PDF format on the IBM *System x Documentation* CD. It contains translated environmental notices.
- *IBM License Agreement for Machine Code*
This document is in PDF. It contains translated versions of the IBM License Agreement for Machine code for your server.
- *IBM Warranty Information*
This printed document contains the warranty terms and a pointer to the IBM Statement of Limited Warranty on the IBM website.
- *User's Guide*
This document is in Portable Document Format (PDF) on the IBM *System x Documentation* CD. This document contains general information about how to use, upgrade, and configure the dx360 M4 system-board tray and the 2U chassis.
- *Licenses and Attributions Documents*
This document is in PDF. It contains information about the open-source notices.
- *Rack Installation Instructions*
This printed document contains instructions for installing the server in a rack.
- *Safety Information*
This document is in PDF on the IBM *System x Documentation* CD. It contains translated caution and danger statements. Each caution and danger statement that appears in the documentation has a number that you can use to locate the corresponding statement in your language in the *Safety Information* document.

Depending on the server model, additional documentation might be included on the IBM *Documentation* CD.

The ToolsCenter for System x and BladeCenter is an online information center that contains information about tools for updating, managing, and deploying firmware, device drivers, and operating systems. The ToolsCenter for System x and BladeCenter is at <http://publib.boulder.ibm.com/infocenter/toolsctr/v1r0/index.jsp>.

The server might have features that are not described in the documentation that comes with the server. The documentation might be updated occasionally to include information about those features, or technical updates might be available to provide additional information that is not included in the server documentation. These updates are available from the IBM website. To check for updated documentation and technical updates, go to <http://www.ibm.com/supportportal/>.

Notices and statements in this document

The caution and danger statements that appear in this document are also in the multilingual *Safety Information* document, which is on the IBM *System x Documentation CD*. Each statement is numbered for reference to the corresponding statement in the *Safety Information* document.

The following notices and statements are used in this document:

- **Note:** These notices provide important tips, guidance, or advice.
- **Important:** These notices provide information or advice that might help you avoid inconvenient or problem situations.
- **Attention:** These notices indicate potential damage to programs, devices, or data. An attention notice is placed just before the instruction or situation in which damage might occur.
- **Caution:** These statements indicate situations that can be potentially hazardous to you. A caution statement is placed just before the description of a potentially hazardous procedure step or situation.
- **Danger:** These statements indicate situations that can be potentially lethal or extremely hazardous to you. A danger statement is placed just before the description of a potentially lethal or extremely hazardous procedure step or situation.

Features and specifications

The following information is a summary of the features and specifications of the server. Depending on the server model, some features might not be available, or some specifications might not apply.

Table 1. Features and specifications

<p>Microprocessor:</p> <ul style="list-style-type: none"> • Supports up to two Intel Xeon E5-2600 series multi-core microprocessors • QuickPath Interconnect (QPI) links speed up to 8.0 GT per second <p>Note:</p> <ul style="list-style-type: none"> • Use the Setup utility program to determine the type and speed of the microprocessors. • For a list of supported microprocessors, see http://www.ibm.com/servers/eserver/serverproven/compat/us/. <p>Hard disk drives: The system-board tray and GPGPU enclosure support one 3.5-inch simple-swap SATA, two 2.5-inch simple-swap SATA/SAS or solid-state drives, or four 1.8-inch simple-swap solid-state drives.</p> <p>Attention: As a general consideration, do not mix standard 512-byte and advanced 4-KB format drives in the same RAID array because it might lead to potential performance issues.</p> <p>Expansion slots: Up to four PCI Express slots per chassis. Support for the following riser cards:</p> <ul style="list-style-type: none"> • 2U Compute server <ul style="list-style-type: none"> – Four PCI Express x16 (x8 mechanically) slots (PCIe3.0, full-height, half-length) • 2U GPGPU server <ul style="list-style-type: none"> – Two PCI Express x16 (x8 mechanically) slots (PCIe3.0, full-height, half-length) – Two PCI Express x16 (x16 mechanically) slots (PCIe3.0, full-height, full-length) 	<p>Memory:</p> <ul style="list-style-type: none"> • Minimum: 2 GB • Maximum: 512 GB <ul style="list-style-type: none"> – 64 GB using Unbuffered DIMMs (UDIMMs) – 128 GB using Registered DIMMs (RDIMMs) – 512 GB using Load Reduction DIMMs (LRDIMMs) • Type: PC3-6400, PC3-8500, PC3-10600, PC3-12800, or PC3-14900 (single-rank, dual-rank, or quad-rank), ECC registered or unbuffered double-data-rate 3 (DDR3) 1066, 1333, 1600, and 1866 MHz SDRAM DIMMs • Slots: 16 (eight per microprocessor) • Supports (depending on the model): <ul style="list-style-type: none"> – 2 GB and 4 GB Unbuffered DIMMs – 2 GB, 4 GB, 8 GB, and 16 GB Registered DIMMs – 32 GB Load Reduced DIMMs <p>Environment:</p> <ul style="list-style-type: none"> • Air temperature: <ul style="list-style-type: none"> – Server on: 5°C to 40°C (41°F to 104°F); altitude: 0 to 950 m (0 to 3116 ft). Derate maximum temperature by 1°C for every 175 m (574 ft) increase in elevation to a maximum of 3050 m (10004 ft) at an ambient temperature of 5°C to 28°C (41°F to 82°F) <p>Notes:</p> <ol style="list-style-type: none"> 1. microprocessor E5-2690: temperature: 5°C to 35°C (41°F to 95°F); altitude: 0 to 950 m (0 to 3116 ft) 2. GPGPU node: temperature: 5°C to 35°C (41°F to 95°F); altitude: 0 to 950 m (0 to 3116 ft) 3. Intel Xeon Phi 7120P: temperature: 5°C to 27°C (41°F to 80.6°F); altitude: 0 to 304.8 m (0 to 1000 ft) <ul style="list-style-type: none"> – Server off: 5°C to 45°C (41°F to 113°F); maximum altitude: 0 to 3050 m (10004 ft) – Storage (non-operating): 1°C to 60°C (33.8°F to 140°F); altitude: 0 to 3050 m (0 to 10004 ft). – Shipment (non-operating): -40°C to 60°C (-40°F to 140°F); altitude: 0 to 10700 m (0 to 35105 ft). 	<p>Environment (continued):</p> <ul style="list-style-type: none"> • Humidity: <ul style="list-style-type: none"> – Server on: non-condensing: -12°C dew point (10.4°F), 8% to 85%; maximum dew point: 24°C (75°F); maximum rate of change: 5°C/hr (41°F/hr) for tape drive and microprocessor models from 115 W to 130 W and 135 W, 20°C/hr (68°F/hr) for HDDs – Server off: 8% to 85%; maximum dew point: 27°C (80.6°F); maximum rate of change: 5°C/hr for microprocessor models from 60 W to 95 W – Storage (non-operating): 5% to 80%; maximum dew point: 29°C (84.2°F) – Shipment (non-operating): 5% to 100%; maximum dew point: 29°C (84.2°F) • Particulate contamination: <p>Attention:</p> <ul style="list-style-type: none"> – Design to ASHRAE Class A3, temperature: 36°C to 40°C (96.8°F to 104°F) with relaxed support: <ul style="list-style-type: none"> - Support cloud such as workload with no performance degradation acceptable (turbo-off) - Under no circumstance, can any combination of worst case workload and configuration result in system shutdown or design exposure at 40°C - The worst case workload (such as Linpack, Turbo-On) may have performance degradation – Airborne particulates and reactive gases acting alone or in combination with other environmental factors such as humidity or temperature might pose a risk to the server. For information about the limits for particulates and gases, see “Particulate contamination” on page 371.
---	---	---

Table 1. Features and specifications (continued)

<p>Size:</p> <ul style="list-style-type: none"> • 2U chassis: <ul style="list-style-type: none"> – Depth: 55.8 cm (22.0 inches) – Width (EIA flange to EIA flange outer edge): 48.6 cm (19.1 inches) – Height: 8.72 cm (3.43 inches) – Weight (with 2 system-board trays): 21.4 kg (47.2 lb) – Weight (GPGPU server without add-on adapters): 18.1 kg (39.9 lbs) • 1U node: <ul style="list-style-type: none"> – Depth: 51.8 cm (20.4 inches) – Width (cam lever tip-to-tip): 47.1 cm (18.6 inches) – Height: 4.19 cm (1.65 inches) <p>Power supply:</p> <ul style="list-style-type: none"> • Maximum of two hot-swap power supplies for redundancy support <ul style="list-style-type: none"> – 550-watt ac – 750-watt ac – 900-watt ac <p>Note: Power supplies in the server must be with the same power rating or wattage.</p>	<p>Integrated functions:</p> <ul style="list-style-type: none"> • Integrated Management Module II (IMM2), which consolidates multiple management functions in a single chip. • Intel Powerville I350 Gb Ethernet controller with Wake on LAN support • Five Universal Serial Bus (USB) 2.0 ports (four front of the chassis, and one embedded hypervisor software is installed) • Two ethernet ports • One System Management RJ-45 on the front to connect to a systems management network. This system management connector is dedicated to the IMM2 functions. • One serial port <p>Predictive Failure Analysis (PFA) alerts:</p> <ul style="list-style-type: none"> • Memory 	<p>Electrical input:</p> <ul style="list-style-type: none"> • Sine-wave input (50 - 60 Hz) required • Input voltage low range: <ul style="list-style-type: none"> – Minimum: 100 V ac – Maximum: 127 V ac • Input voltage high range: <ul style="list-style-type: none"> – Minimum: 200 V ac – Maximum: 240 V ac • Input kilovolt-amperes (kVA), approximately: <ul style="list-style-type: none"> – Minimum: 0.150 kVA – Maximum: 1.148 kVA <p>Notes:</p> <ol style="list-style-type: none"> 1. Power consumption and heat output vary depending on the number and type of optional features installed and the power-management optional features in use. 2. The noise emission level stated is the declared (upper limit) sound power level, in bels, for a random sample of machines. All measurements are made in accordance with ISO 7779 and reported in conformance with ISO 9296.
---	--	--

EU Regulation 617/2013 Technical Documentation:

International Business Machines Corporation

New Orchard Road

Armonk, New York 10504 <http://www.ibm.com/customersupport/>

For more information on the energy efficiency program, go to <http://www-03.ibm.com/systems/x/hardware/energy-star/index.html>

Product Type:

- Computer Server

Year first manufactured:

- 2012

Internal/external power supply efficiency:

- http://www.plugloadsolutions.com/psu_reports/IBM_FSA011_550W_SO-301_Report.pdf
- http://www.plugloadsolutions.com/psu_reports/SO-299_IBM_DPS-750AB-1_750W_Report.pdf
- http://www.plugloadsolutions.com/psu_reports/IBM_7001605-XXXX_750W_SO-258_Report.pdf
- http://www.plugloadsolutions.com/psu_reports/IBM_7001606-XXXX_900W_SO-273_Report.pdf

Maximum power (watts):

- See Power supply section.

Idle state power (watts):

- 71

Sleep mode power (watts):

- Not applicable for servers.

Off mode power (watts):

- 20

Noise levels (the declared A-weighted sound power level of the computer):

- See Acoustical noise emissions section.

Test voltage and frequency:

- 230V / 50 Hz or 60 Hz

Total harmonic distortion of the electricity supply system:

- The maximum harmonic content of the input voltage waveform will be equal or less than 2%. The qualification is compliant with EN 61000-3-2.

Information and documentation on the instrumentation set-up and circuits used for electrical testing:

- ENERGY STAR Test Method for Computer Servers; ECOVA Generalized Test Protocol for Calculating the Energy Efficiency of Internal Ac-Dc and Dc-Dc Power Supplies.

Measurement methodology used to determine information in this document:

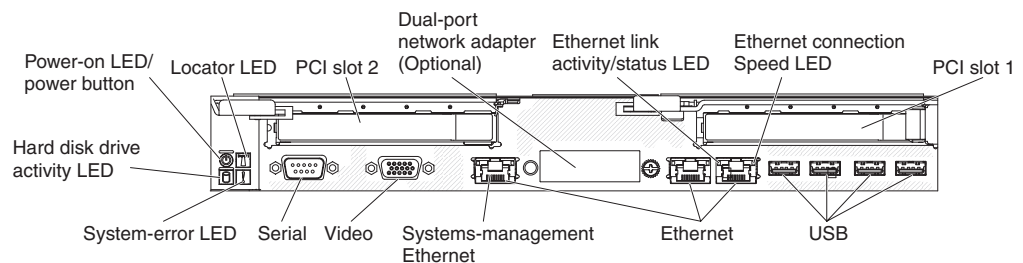
- ENERGY STAR Servers Version 2.0 Program Requirements; ECOVA Generalized Test Protocol for Calculating the Energy Efficiency of Internal Ac-Dc and Dc-Dc Power Supplies.

Server controls, LEDs, and power

This section describes the controls and light-emitting diodes (LEDs) and how to turn the server on and off.

Front view

The following illustration shows the controls, connectors, and LEDs on the front of the server. The operator panel on the system-board tray is the same for all server configurations.



- **Power-control button and power-on LED:** Press this button to turn the server on and off manually or to wake the server from a reduced-power state. The states of the power-on LED are as follows:

Off: Power is not present or the power supply, or the LED itself has failed.

Flashing rapidly (4 times per second): The server is turned off and is not ready to be turned on. The power-control button is disabled. This will last approximately 20 to 40 seconds.

Flashing slowly (once per second): The server is turned off and is ready to be turned on. You can press the power-control button to turn on the server.

Lit: The server is turned on.

Fading on and off: The server is in a reduced-power state. To wake the server, press the power-control button or use the IMM2 web interface. See “Logging on to the web interface” on page 355 for information on logging on to the IMM2 web interface.

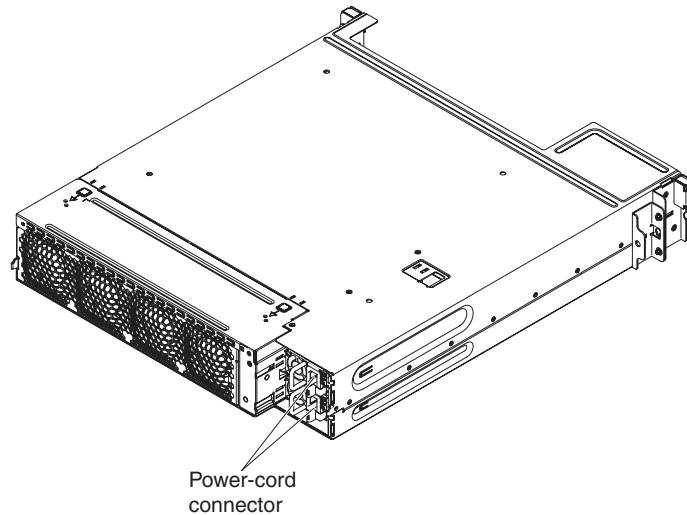
- **System-locator LED:** Use this blue LED to visually locate the server among other servers. You can use IBM Systems Director to light this LED remotely. This LED is controlled by the IMM2. When you press the System-locator button, the LED will blink and it will continue to blink until you press it again to turn it off. The locator button is pressed to visually locate the server among the others servers.
- **Hard drive activity LED:** When this green LED is lit, it indicates that one of the hard disk drives is in use.
- **System-error LED:** When this yellow LED is lit, it indicates that a system error has occurred. This LED is controlled by the IMM2.
- **Serial connector:** Connect a 9-pin serial device to this connector. The serial port is shared with the integrated management module II (IMM2). The IMM2 can take control of the shared serial port to perform text console redirection and to redirect serial traffic, using Serial over LAN (SOL).
- **Video connector:** Connect a monitor to this connector. The video connectors on the front and rear of the server can be used simultaneously.

Note: The maximum video resolution is 1600 x 1200 at 75 Hz.

- **Systems-management Ethernet connector:** Use this connector to connect the server to a network for full systems-management information control. This connector is used only by the integrated baseboard management controller (iBMC). A dedicated management network provides additional security by physically separating the management network traffic from the production network. You can use the Setup utility to configure the server to use a dedicated systems management network or a shared network.
- **Ethernet connectors:** Use either of these connectors to connect the server to a network. When you enable shared Ethernet for iBMC in the Setup utility, you can access the iBMC using either the Ethernet 1 or the system-management Ethernet connector.
- **Ethernet link activity/status LED:** When any of these LEDs is lit, they indicate that the server is transmitting to or receiving signals from the Ethernet LAN that is connected to the Ethernet port that corresponds to that LED.
- **Ethernet connection speed LED:** This LED is on each Ethernet connector. The status of this LED indicates the connection speed, in megabits-per-second (Mbps), between the server and the network as follows:
 - LED off: 10 Mbps connection
 - LED lit yellow: 100 Mbps connection
 - LED lit green: 1000 Mbps connection
- **USB connectors:** Connect a USB device, such as a USB mouse or keyboard to any of these connectors.

Rear view

The following illustration shows the connectors on the rear of the server.



Power-cord connector: Connect the power cord to this connector.

Server power features

When the server is connected to an AC power source but is not turned on, the operating system does not run, and all core logic except for the integrated management module II (IMM2) is shut down; however, the server can respond to requests from IMM2, such as a remote request to turn on the server. The power-on LED flashes to indicate that the server is connected to an AC power source but is not turned on.

Turning on the node

Approximately 5 seconds after the system-board tray is connected to power, one or more fans might start running to provide cooling while the system-board tray is connected to power and the power-on button LED will blink quickly. Approximately 5 to 10 seconds after the system-board tray is connected to power, the power-control button becomes active (the power-on LED will blink slowly), and one or more fans might start running to provide cooling while the system-board tray is connected to power. You can turn on the system-board tray by pressing the power-control button.

The server can also be turned on in any of the following ways:

- If a power failure occurs while the system-board tray is turned on, the system-board tray will restart automatically when power is restored.
- If your operating system supports the Wake on LAN feature, the Wake on LAN feature can turn on the system-board tray.

Notes:

1. When 4 GB or more of memory (physical or logical) is installed, some memory is reserved for various system resources and is unavailable to the operating system. The amount of memory that is reserved for system resources depends on the operating system, the configuration of the system-board tray, and the configured PCI options.
2. Ethernet 1 connector supports Wake on LAN feature.
3. When you turn on the system-board tray with external graphical adapters installed, the IBM logo displays on the screen after approximately 3 minutes. This is normal operation while the system loads.

Turning off the system-board tray

When you turn off the system-board tray and leave it connected to ac power, the system-board tray can respond to requests from IMM2, such as a remote request to turn on the system-board tray. While the system-board tray remains connected to ac power, one or more fans might continue to run. To remove all power from the system-board tray, you must disconnect it from the power source.

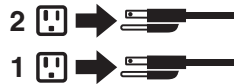
Some operating systems require an orderly shutdown before you turn off the system-board tray. See your operating-system documentation for information about shutting down the operating system.

Statement 5:



CAUTION:

The power control button on the device and the power switch on the power supply do not turn off the electrical current supplied to the device. The device also might have more than one power cord. To remove all electrical current from the device, ensure that all power cords are disconnected from the power source.



The system-board tray can be turned off in any of the following ways:

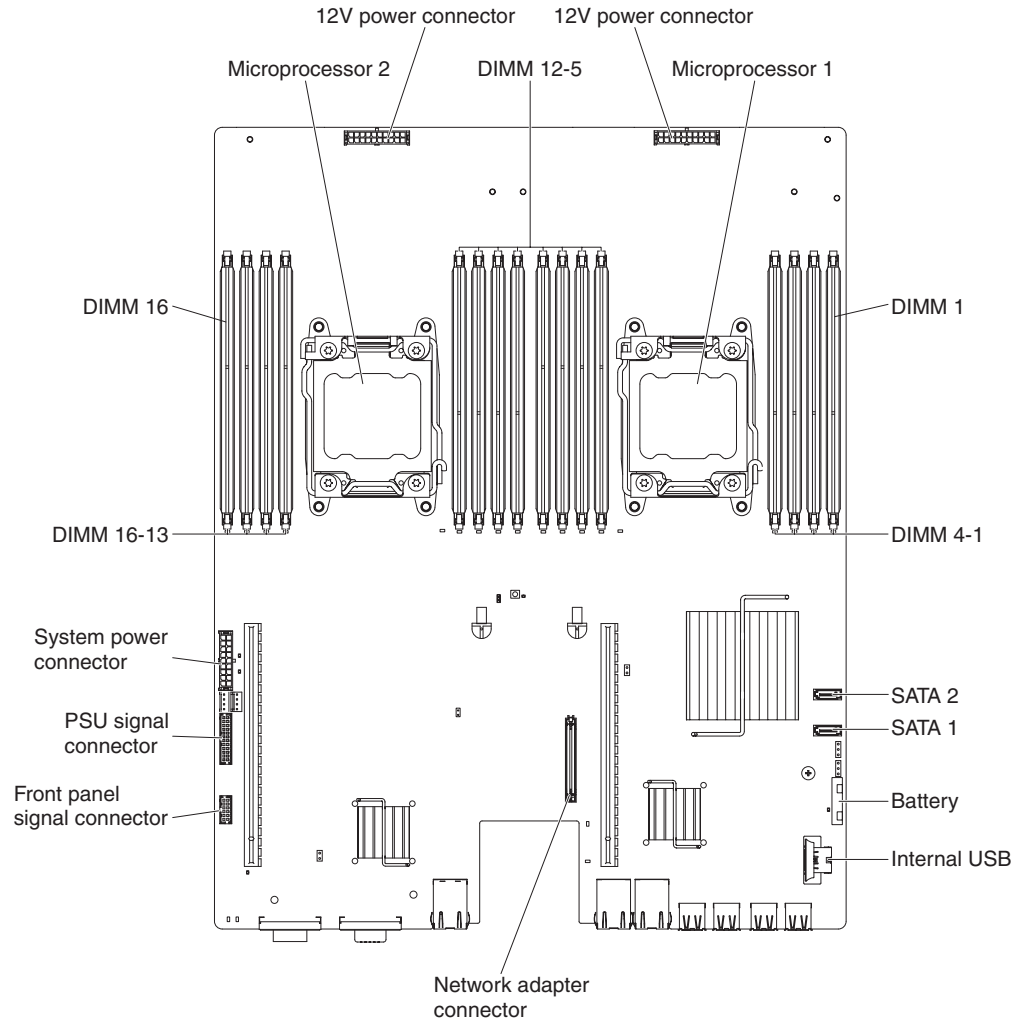
- You can turn off the system-board tray from the operating system, if your operating system supports this feature. After an orderly shutdown of the operating system, the system-board tray will turn off automatically.
- You can press the power-control button to start an orderly shutdown of the operating system and turn off the system-board tray, if your operating system supports this feature.
- If the operating system stops functioning, you can press and hold the power-control button for more than 4 seconds to turn off the system-board tray.
- The system-board tray can be turned off by Wake on LAN feature.
- The integrated management module II (IMM2) can turn off the system-board tray as an automatic response to a critical system failure.

Internal LEDs, connectors, and jumpers

The illustrations in this section show the connectors, LEDs, and jumpers on the internal boards. The illustrations might differ slightly from your hardware.

System-board internal connectors

The following illustration shows the internal connectors on the system board.



System-board switches and jumpers

The following illustration shows the location and description of the switches and jumpers.

Note: If there is a clear protective sticker on the top of the switch blocks, you must remove and discard it to access the switches.

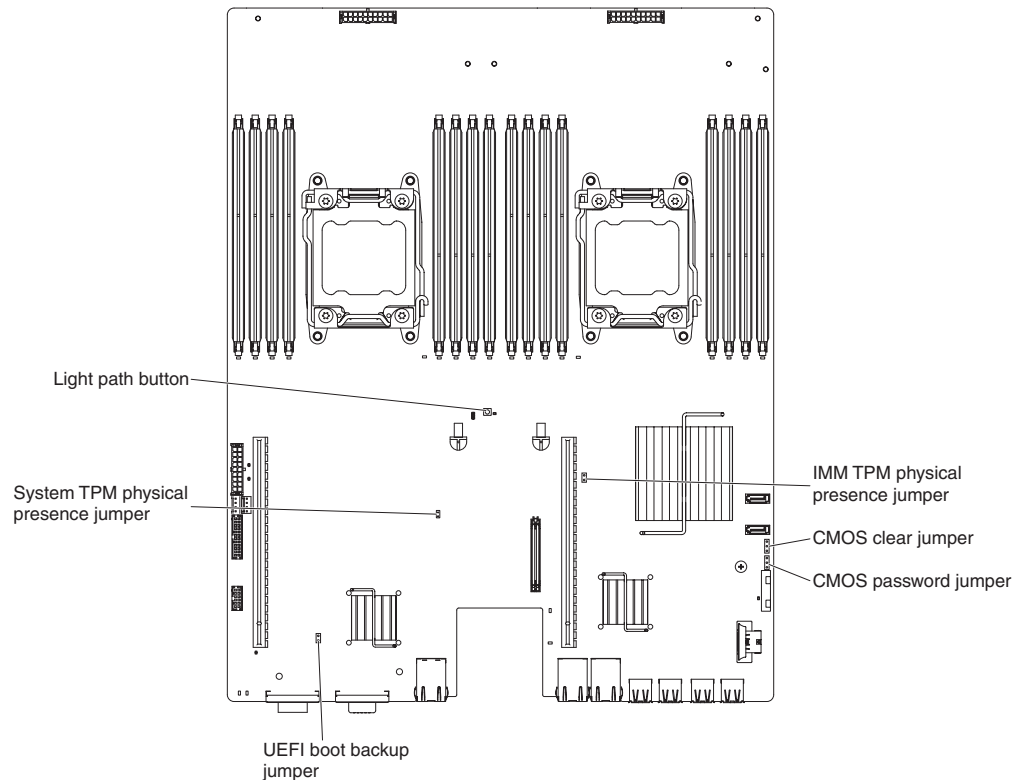


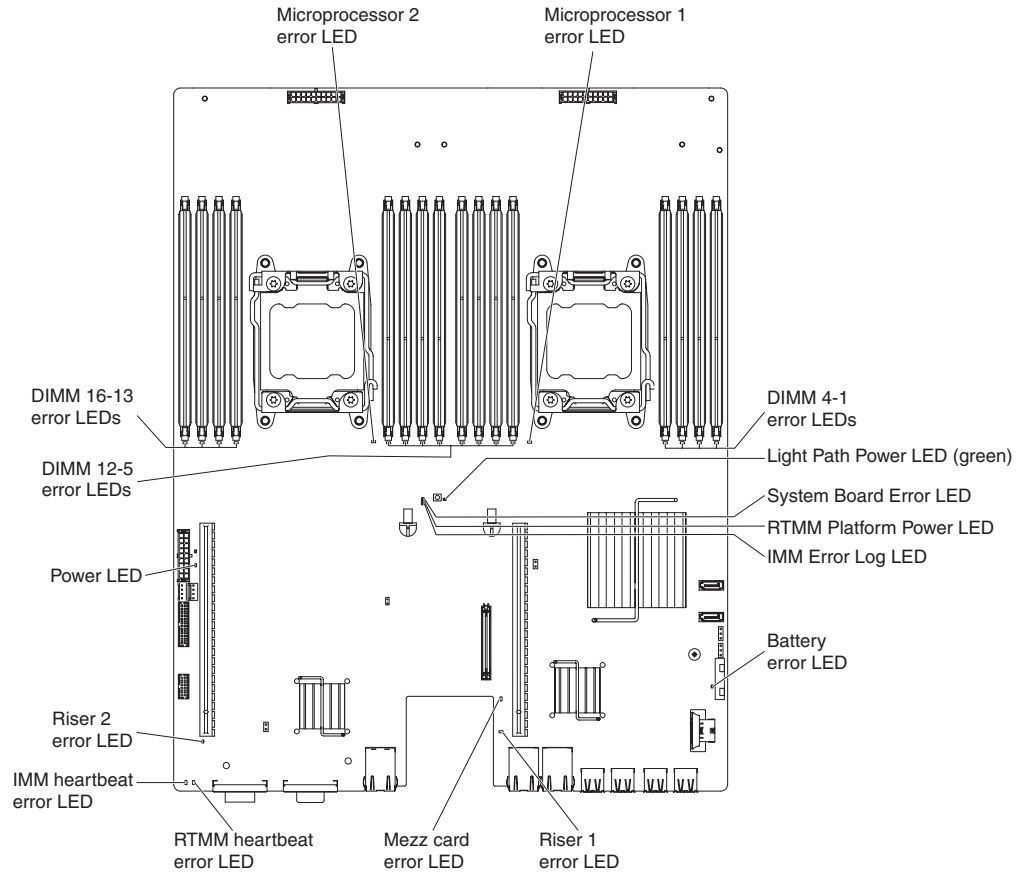
Table 2. System board jumpers

Jumper number	Jumper name	Jumper setting
JP1	CMOS clear jumper	<ul style="list-style-type: none"> Pins 1 and 2: Normal (default). Pins 2 and 3: Clears the real-time clock (RTC) registry.
JP3	UEFI boot backup jumper	<ul style="list-style-type: none"> Pins 1 and 2: Normal (default). Loads the primary server firmware ROM page. Pins 2 and 3: Loads the secondary (backup) server firmware ROM page.
JP5	System TPM physical presence jumper	<ul style="list-style-type: none"> Pins 1 and 2: Normal (default). Pins 2 and 3: Indicates a physical presence to the system TPM.
PW_CLR1	Password clear jumper	<ul style="list-style-type: none"> Pins 1 and 2: Normal (default). Pins 2 and 3: Clear password registers.

Note: Changing the position of the UEFI boot recovery jumper from pins 1 and 2 to pins 2 and 3 before the server is turned on alters which flash ROM page is loaded. Do not change the jumper pin position after the server is turned on. This can cause an unpredictable problem.

System-board LEDs

The following illustration shows the light-emitting diodes (LEDs) on the system board.



Chapter 3. Diagnostics

This chapter describes the diagnostic tools that are available to help you solve problems that might occur in the server.

If you cannot locate and correct a problem by using the information in this chapter, see Appendix A, “Getting help and technical assistance,” on page 367 for more information.

Diagnostic tools

The following tools are available to help you diagnose and solve hardware-related problems:

- **Light path diagnostics**

Use light path diagnostics to diagnose system errors quickly. See “Light path diagnostics” on page 189 for more information.

- **Dynamic System Analysis (DSA) Preboot diagnostic programs**

The DSA Preboot diagnostic programs provide problem isolation, configuration analysis, and error log collection. The diagnostic programs are the primary method of testing the major components of the server and are stored in integrated USB memory. The diagnostic programs collect the following information about the server:

- System configuration
- Network interfaces and settings
- Installed hardware
- Light path diagnostics status
- Service processor status and configuration
- Vital product data, firmware, and UEFI configuration
- Hard disk drive health
- RAID controller configuration
- Controller and service processor event logs, including the following information:
 - System error logs
 - Temperature, voltage, and fan speed information
 - Self-monitoring Analysis, and Reporting Technology (SMART) data
 - Machine check registers
 - USB information
 - Monitor configuration information
 - PCI slot information

The diagnostic programs create a merged log that includes events from all collected logs. The information is collected into a file that you can send to IBM service and support. Additionally, you can view the server information locally through a generated text report file. You can also copy the log to removable media and view the log from a web browser. See “Running the diagnostic programs” on page 192 for more information.

- **Troubleshooting tables**

These tables list problem symptoms and actions to correct the problems. See “Troubleshooting tables” on page 170 for more information.

- **IBM Electronic Service Agent**

IBM Electronic Service Agent is a software tool that monitors the server for hardware error events and automatically submits electronic service requests to IBM service and support. In addition, it can collect and transmit system

configuration information on a scheduled basis so that the information is available to you and your support representative. It uses minimal system resources, and is available free of charge. For more information and to download IBM Electronic Service Agent, go to http://www.ibm.com/support/entry/portal/Open_service_request/.

- **POST error codes and event logs**

The power-on self-test (POST) generates messages to indicate successful test completion or the detection of a problem. For more information, see “Event logs” and “POST” on page 20.

- **Checkpoint codes**

Checkpoint codes track the progress of POST routines at system startup or reset. Checkpoint codes are shown on the checkpoint code display, which is on the light path diagnostics panel.

Event logs

Error codes and messages are displayed in the following types of event logs. Some of the error codes and messages in the logs are abbreviated. When you are troubleshooting PCI-X slots, note that the event logs report the PCI-X buses numerically. The numerical assignments vary depending on the configuration. You can check the assignments by running the Setup utility (see “Using the Setup utility” on page 347 for more information).

- **POST event log:** This log contains the three most recent error codes and messages that were generated during POST. You can view the contents of the POST event log through the Setup utility.
- **System-event log:** This log contains messages that were generated during POST and all system status messages from the service processor. You can view the contents of the system-event log from the Setup utility.

The system-event log is limited in size. When it is full, new entries will not overwrite existing entries; therefore, you must periodically clear the system-event log through the Setup utility. When you are troubleshooting an error, be sure to clear the system-event log so that you can find current errors more easily.

Each system-event log entry is displayed on its own page. Messages are listed on the left side of the screen, and details about the selected message are displayed on the right side of the screen. To move from one entry to the next, use the Up Arrow (↑) and Down Arrow (↓) keys.

The system-event log indicates an assertion event when an event has occurred. It indicates a deassertion event when the event is no longer occurring.

- **Integrated management module II (IMM2) event log:** This log contains a filtered subset of all IMM2, POST, and system management interrupt (SMI) events. You can view the IMM2 event log through the IMM2 web interface and through the Dynamic System Analysis (DSA) program (as the ASM event log).
- **DSA log:** This log is generated by the Dynamic System Analysis (DSA) program, and it is a chronologically ordered merge of the system-event log (as the IPMI event log), the IMM2 chassis-event log (as the ASM event log), and the operating-system event logs. You can view the DSA log through the DSA program.

Viewing event logs from the Setup utility

To view the error logs, complete the following steps:

1. Turn on the server.

2. When the prompt <F1> Setup is displayed, press F1. If you have set both a power-on password and an administrator password, you must type the administrator password to view the error logs.
3. Select **System Event Logs** and use one of the following procedures:
 - To view the POST error log, select **POST Event Viewers**.
 - To view the IMM2 system-event log, select **System Event Log**.

Viewing event logs without restarting the server

If the server is not hung, methods are available for you to view one or more event logs without having to restart the server.

If you have installed Dynamic System Analysis (DSA) Portable, you can use it to view the system-event log (as the IPMI event log), the IMM2 event log (as the ASM event log), the operating-system event logs, or the merged DSA log. You can also use DSA Preboot to view these logs, although you must restart the server to use DSA Preboot.

To install DSA Portable, or DSA Preboot or to download a DSA Preboot CD image, go to <http://www.ibm.com/support/entry/portal/docdisplay?brand=5000008&Indocid=SERV-DSA>.

If IPMItool is installed in the server, you can use it to view the system-event log. Most recent versions of the Linux operating system come with a current version of IPMItool.

For an overview of IPMI, go to <http://www.ibm.com/developerworks/linux/blueprints/> and click **Using Intelligent Platform Management Interface (IPMI) on IBM Linux platforms**.

You can view the IMM2 system event log through the **Event Log** link in the integrated management module II (IMM2) web interface. For more information, see “Logging on to the web interface” on page 355.

The following table describes the methods that you can use to view the event logs, depending on the condition of the server. The first three conditions generally do not require that you restart the server.

Table 3. Methods for viewing event logs

Condition	Action
The server is not hung and is connected to a network.	Use any of the following methods: <ul style="list-style-type: none"> • Run DSA Portable to view the event logs or create an output file that you can send to a support representative. • In a web browser, type the IP address of the IMM2 and go to the Event Log page. • Use IPMItool to view the system-event log.
The server is not hung and is not connected to a network.	Use IPMItool locally to view the system-event log.
The server is not hung and the integrated management module II (IMM2) is connected to a network.	In a web browser, type the IP address for the IMM2 and go to the Event Log page. For more information, see “Obtaining the IP address for the IMM2” on page 354 and “Logging on to the web interface” on page 355.

Table 3. Methods for viewing event logs (continued)

Condition	Action
The server is hung.	<ul style="list-style-type: none"> • If DSA Preboot is installed, restart the server and press F2 to start DSA Preboot and view the event logs. • If DSA Preboot is not installed, insert the DSA Preboot CD and restart the server to start DSA Preboot and view the event logs. • Alternatively, you can restart the server and press F1 to start the Setup utility and view the POST event log or system-event log. For more information, see “Viewing event logs from the Setup utility” on page 18.

Clearing the error logs

To clear the error logs, complete the following steps.

Note: The POST error log is automatically cleared each time the server is restarted.

1. Turn on the server.
2. When the prompt <F1> Setup is displayed, press F1. If you have set both a power-on password and an administrator password, you must type the administrator password to view the error logs.
3. Use one of the following procedures:
 - To clear the IMM2 system-event log, select **System Event Logs --> System Event Log**. Select **Clear System Event Log**; then, press **Enter** twice.

POST

When you turn on the server, it performs a series of tests to check the operation of the server components and some optional devices in the server. This series of tests is called the power-on self-test, or POST.

If a power-on password is set, you must type the password and press Enter, when you are prompted, for POST to run.

POST/UEFI diagnostic codes

The following table describes the POST/UEFI diagnostic codes and suggested actions to correct the detected problems. These diagnostic codes can appear as severe, warning, or informational.

- Severe = S
- Warning = W
- Informational = I

I.11002 **[I.11002] A processor mismatch has been detected between one or more processors in the system.**

Explanation: One or More Mismatched Processors Detected

Severity: Error

User response: Complete the following steps:

1. This message could occur with messages about other Processor configuration problems. Resolve those messages first.
2. If the problem persists, ensure that matching processors are installed (i.e., matching option part numbers, etc)
3. Verify that the Processor's are installed in the correct sockets according to the service information for this product. If not, correct that problem.
4. Check IBM support site for an applicable service bulletin or firmware update that applies to this Processor error.
5. (Trained Service technician only) Replace mismatching processor. Inspect Processor socket and replace the system board first if socket is damaged.

I.18005 **[I.18005] A discrepancy has been detected in the number of cores reported by one or more processor packages within the system.**

Explanation: Processors have mismatched number of cores

Severity: Error

User response: Complete the following steps:

1. If this is a newly installed option, ensure that matching Processors are installed in the correct Processor sockets according to the service information for this product.
2. Check IBM support site for an applicable service bulletin that applies to this Processor error.
3. (Trained Service technician only) Replace Processor. Inspect Processor socket and replace the system board first if socket is damaged.

I.18006 **[I.18006] A mismatch between the maximum allowed QPI link speed has been detected for one or more processor packages.**

Explanation: Processors have mismatched QPI Speed

Severity: Error

User response: Complete the following steps:

1. If this is a newly installed option, ensure that matching Processor CPUs are installed in the correct ProcessorCPU sockets according to the service information for this product
2. Check IBM support site for an applicable retain tipservice bulletin or firmware update that applies to this Processor error.
3. (Trained Service technician only) Replace Processor. Inspect Processor socket and replace the system board first if socket is damaged.

I.18007 **[I.18007] A power segment mismatch has been detected for one or more processor packages.**

Explanation: Processors have mismatched Power Segments

Severity: Error

User response: Complete the following steps:

1. Processors installed do not have the same power requirements
2. Ensure that all Processors have matching power requirements (such as 65, 95, or 130 Watts)
3. If power requirements match, check IBM support site for an applicable service bulletin or firmware update that applies to this Processor error.
4. (Trained Service technician only) Replace Processor. Inspect Processor socket and replace the system board first if socket is damaged

I.18008 **[I.18008] A mismatch has been detected between Processors frequency and DDR3 DIMMs frequency.**

Explanation: Processors have mismatched Internal DDR3 Frequency

Severity: Error

I.18009 • I.1800D

User response: Complete the following steps:

1. Verify that matching DIMMs are installed in the correct population sequence, according to the service information for this product. Correct any configuration issues found.
2. (Trained Service technician only) Replace associated Processor. Inspect Processor socket and replace the system board first if socket is damaged

I.18009 **[I.18009] A core speed mismatch has been detected for one or more processor packages.**

Explanation: Processors have mismatched Core Speed

Severity: Error

User response: Complete the following steps:

1. Verify that matching processors are installed in the correct processor sockets according to the service information for this product. Correct any mismatch issues found.
2. Check IBM support site for an applicable service bulletin or firmware update that applies to this Processor error.
3. (Trained Service technician only) Replace Processor. Inspect Processor socket and replace the system board first if socket is damaged.

I.1800A **[I.1800A] A mismatch has been detected between the speed at which a QPI link has trained between two or more processor packages.**

Explanation: Processors have mismatched Bus Speed

Severity: Error

User response: Complete the following steps:

1. Verify that the Processor is a valid option that is listed as a Server Proven device for this system. If not, remove the Processor and install a Server Proven one.
2. Verify that matching Processors are installed in the correct Processor sockets according to the service information for this product. Correct any mismatch found.
3. Check IBM support site for an applicable service bulletin or firmware update that applies to this processor error.
4. (Trained Service technician only) Replace the Processor. Inspect Processor socket and replace the system board first if socket is damaged

I.1800B **[I.1800B] A cache size mismatch has been detected for one or more processor packages.**

Explanation: Processors have one or more cache levels with mismatched size

Severity: Error

User response: Complete the following steps:

1. Verify that matching processors are installed in the correct processor sockets according to the service information for this product. Correct any mismatch found.
2. Check IBM support site for an applicable service bulletin or firmware update that applies to this Processor error.
3. (Trained Service technician only) Replace the system board.

I.1800C **[I.1800C] A cache type mismatch has been detected for one or more processor packages.**

Explanation: Processors have one or more cache levels with mismatched type

Severity: Error

User response: Complete the following steps:

1. Verify that matching Processors are installed in the correct Processor sockets according to the service information for this product.
2. Check IBM support site for an applicable service bulletin or firmware update that applies to this Processor error.
3. (Trained Service technician only) Replace the system board.

I.1800D **[I.1800D] A cache associativity mismatch has been detected for one or more processor packages.**

Explanation: Processors have one or more cache levels with mismatched associativity

Severity: Error

User response: Complete the following steps:

1. Verify that matching Processors are installed in the correct Processor sockets according to the service information for this product.
2. Check IBM support site for an applicable service bulletin or firmware update that applies to this Processor error.
3. (Trained Service technician only) Replace the system board.

I.1800E [I.1800E] A processor model mismatch has been detected for one or more processor packages.

Explanation: Processors have mismatched Model Number

Severity: Error

User response: Complete the following steps:

1. Verify that matching Processors are installed in the correct Processor sockets according to the service information for this product.
2. Check IBM support site for an applicable service bulletin or firmware update that applies to this Processor error.
3. (Trained Service technician only) Replace the system board.

I.1800F [I.1800F] A processor family mismatch has been detected for one or more processor packages.

Explanation: Processors have mismatched Family

Severity: Error

User response: Complete the following steps:

1. Verify that matching Processors are installed in the correct Processor sockets according to the service information for this product
2. Check IBM support site for an applicable service bulletin or firmware update that applies to this Processor error.
3. (Trained Service technician only) Replace the system board.

I.18010 [I.18010] A processor stepping mismatch has been detected for one or more processor packages.

Explanation: Processors of the same model have mismatched Stepping ID

Severity: Error

User response: Complete the following steps:

1. Verify that matching Processors are installed in the correct Processor sockets according to the service information for this product.
2. Check IBM support site for an applicable service bulletin or firmware update that applies to this Processor error.
3. (Trained Service technician only) Replace the system board.

I.2018002 [I.2018002] The device found at Bus % Device % Function % could not be configured due to resource constraints. The Vendor ID for the device is % and the Device ID is %.

Explanation: OUT_OF_RESOURCES (PCI Option ROM)

Severity: Info

User response: Complete the following steps:

1. If this PCIe device and/or any attached cables were recently installed, moved, serviced or upgraded, reseal adapter and any attached cables.
2. Check IBM support site for any applicable service bulletin or UEFI or adapter firmware update that applies to this error. NOTE: It may be necessary to disable unused option ROMs from UEFI F1 setup or ASU or using adapter manufacturer utilities so that adapter firmware can be updated.
3. Move card to a different slot. If slot not available or error re-occurs, replace adapter.
4. (Trained Service technician only) If adapter was moved to a different slot and error did not re-occur, verify that this is not a system limitation and then replace the system board. Also, if this is not the initial installation and the error persists after adapter replacement, replace system board.

I.2018003 [I.2018003] A bad option ROM checksum was detected for the device found at Bus % Device % Function %. The Vendor ID for the device is % and the Device ID is %.

Explanation: ROM CHECKSUM ERROR

Severity: Error

User response: Complete the following steps:

1. If this PCIe device and/or any attached cables were recently installed, moved, serviced or upgraded, reseal adapter and any attached cables.
 2. Move adapter to a different system slot, if available.
 3. Check IBM support site for any applicable service bulletin or UEFI or adapter firmware update that applies to this error. NOTE: It may be necessary to configure slot to Gen1 or to use special utility software so that adapter firmware can be upgraded. Gen1/Gen2 settings can be configured via F1 Setup -> System Settings -> Devices and I/O Ports -> PCIe Gen1/Gen2/Gen3 Speed Selection, or the ASU Utility.
 4. Replace adapter.
-

I.3048005 [I.3048005] UEFI has booted from the backup flash bank.

Explanation: Booting Backup UEFI Image

Severity: Info

User response: Complete the following steps:

1. Refer to service information for this product section on UEFI Recovery to return system to primary bank.

I.3808004 [I.3808004] The IMM System Event log (SEL) is full.

Explanation: IPMI System Event Log is Full

Severity: Info

User response: Complete the following steps:

1. Use IMM Web Interface to clear event log.
2. If IMM communication is unavailable, use F1 Setup to access System Event Logs Menu and Choose Clear IMM System Event Log and Restart Server.

I.3818001 [I.3818001] The firmware image capsule signature for the currently booted flash bank is invalid.

Explanation: Current Bank CRTM Capsule Update Signature Invalid

Severity: Info

User response: Complete the following steps:

1. Reboot system. Will come up on backup UEFI image. Reflash the primary UEFI image.
2. If error does not persist no additional recovery action is required.
3. If error persists, or boot is unsuccessful, (Trained service technician only) Replace the system board.

I.3818002 [I.3818002] The firmware image capsule signature for the non-booted flash bank is invalid.

Explanation: Opposite Bank CRTM Capsule Update Signature Invalid

Severity: Info

User response: Complete the following steps:

1. Reflash backup UEFI image.
2. If error does not persist no additional recovery action is required.
3. If error persists, or boot is unsuccessful, (Trained service technician only) Replace the system board.

I.3818003 [I.3818003] The CRTM flash driver could not lock the secure flash region.

Explanation: CRTM Could not lock secure flash region

Severity: Info

User response: Complete the following steps:

1. If system failed to boot successfully, DC cycle system.
2. If system boots to F1 setup, flash UEFI image and reset bank to primary (if required). If system boots without error, recovery is complete and no additional action is required.
3. If system fails to boot, or if flash attempt fails, (Trained service technician only) Replace the system board.

I.58015 [I.58015] Memory spare copy initiated.

Explanation: Spare Copy Started

Severity: Info

User response: Complete the following steps:

1. No user required for this event. This is for informational purposes only.

I.580A4 [I.580A4] Memory population change detected.

Explanation: DIMM Population Change Detected

Severity: Info

User response: Complete the following steps:

1. Check system event log for uncorrected DIMM failures and replace those DIMMs.

I.580A5 [I.580A5] Mirror Fail-over complete. DIMM number % has failed over to the mirrored copy.

Explanation: DIMM Mirror Fail-over Detected

Severity: Info

User response: Complete the following steps:

1. Check the system-event log for uncorrected DIMM failures and replace those DIMMs.

I.580A6 [I.580A6] Memory spare copy has completed successfully.

Explanation: Spare Copy Complete

Severity: Info

User response: Complete the following steps:

1. Check system log for related DIMM failures and replace those DIMMs.

S.1100B [S.1100B] CATERR(IERR) has asserted on processor %.**Explanation:** Processor CATERR(IERR) has asserted**Severity:** Error**User response:** Complete the following steps:

1. Check IBM support site for an applicable service bulletin or firmware update that applies to this Processor error.
2. (Trained Service technician only) Replace the Processor.

S.1100C [S.1100C] An uncorrectable error has been detected on processor %.**Explanation:** Uncorrectable processor error detected**Severity:** Error**User response:** Complete the following steps:

1. Check IBM support site for an applicable service bulletin or firmware update that applies to this error.
2. Reboot system. If problem persists escalate to the next level of support.

S.2011001 [S.2011001] An Uncorrected PCIe Error has Occurred at Bus % Device % Function %. The Vendor ID for the device is % and the Device ID is %.**Explanation:** PCI SERR Detected**Severity:** Error**User response:** Complete the following steps:

1. If this node and/or any attached cables were recently installed, moved, serviced or upgraded, a. Reseat Adapter and any attached cables. b. Reload Device Driver c. If device is not recognized, reconfiguring slot to Gen1 or Gen2 may be required. Gen1/Gen2 settings can be configured via F1 Setup -> System Settings -> Devices and I/O Ports -> PCIe Gen1/Gen2/Gen3 Speed Selection, or the ASU Utility.
2. Check IBM support site for an applicable device driver, firmware update, revision of service information for this product or other information that applies to this error. Load new device driver and any required firmware updates.
3. If problem persists, then remove Adapter Card. If system reboots successfully without the adapter, replace that card.
4. (Trained Service technician only) Replace the processor.

S.2018001 [S.2018001] An Uncorrected PCIe Error has Occurred at Bus % Device % Function %. The Vendor ID for the device is % and the Device ID is %.**Explanation:** PCIe Uncorrected Error Detected**Severity:** Error**User response:** Complete the following steps:

1. If this node and/or any attached cables were recently installed, moved, serviced or upgraded, a. Reseat Adapter and any attached cables. b. Reload Device Driver c. If device is not recognized, reconfiguring slot to Gen1 or Gen2 may be required. Gen1/Gen2 settings can be configured via F1 Setup -> System Settings -> Devices and I/O Ports -> PCIe Gen1/Gen2/Gen3 Speed Selection, or the ASU Utility.
2. Check IBM support site for an applicable device driver, firmware update, version of service information for this product or other information that applies to this error. Load new device driver and any required firmware updates.
3. If problem persists, then remove Adapter Card. If system reboots successfully without the adapter, replace that card.
4. (Trained Service technician only) Replace the processor.

S.3020007 [S.3020007] A firmware fault has been detected in the UEFI image.**Explanation:** Internal UEFI Firmware Fault Detected, System halted**Severity:** Error**User response:** Complete the following steps:

1. Check IBM support site for an applicable service bulletin or firmware update that applies to this error.
2. Reflash UEFI image.
3. (Trained service technician only) Replace the system board.

S.3028002 [S.3028002] Boot permission timeout detected.**Explanation:** Boot Permission Negotiation Timeout**Severity:** Error**User response:** Complete the following steps:

1. Check IMM logs for communication errors and resolve.
 2. Reseat system
 3. If problem persists escalate to the next level of support
-

S.3030007 [S.3030007] A firmware fault has been detected in the UEFI image.

Explanation: Internal UEFI Firmware Fault Detected, System halted

Severity: Error

User response: Complete the following steps:

1. Check IBM support site for an applicable service bulletin or firmware update that applies to this error.
2. Reflash UEFI image.
3. (Trained service technician only) Replace the system board.

3. Undo recent system changes (settings or devices added). If not recent system changes, remove all options then remove CMOS battery for 30 seconds to clear CMOS contents. Verify that the system boots. Then, re-install options one at a time to locate the problem.
4. Check IBM support site for an applicable service bulletin or firmware update that applies to this error.
5. Reflash UEFI firmware.
6. Remove and re-install CMOS battery for 30 seconds to clear CMOS contents
7. (Trained service technician only) Replace the system board.

S.3040007 [S.3040007] A firmware fault has been detected in the UEFI image.

Explanation: Internal UEFI Firmware Fault Detected, System halted

Severity: Error

User response: Complete the following steps:

1. Check IBM support site for an applicable service bulletin or firmware update that applies to this error.
2. Reflash UEFI image.
3. (Trained service technician only) Replace the system board.

S.3060007 [S.3060007] A firmware fault has been detected in the UEFI image.

Explanation: Internal UEFI Firmware Fault Detected, System halted

Severity: Error

User response: Complete the following steps:

1. Check IBM support site for an applicable service bulletin or firmware update that applies to this error.
2. Reflash UEFI image.
3. (Trained service technician only) Replace the system board.

S.3050007 [S.3050007] A firmware fault has been detected in the UEFI image.

Explanation: Internal UEFI Firmware Fault Detected, System halted

Severity: Error

User response: Complete the following steps:

1. Check IBM support site for an applicable service bulletin or firmware update that applies to this error.
2. Reflash UEFI image.
3. (Trained service technician only) Replace the system board.

S.3070007 [S.3070007] A firmware fault has been detected in the UEFI image.

Explanation: Internal UEFI Firmware Fault Detected, System halted

Severity: Error

User response: Complete the following steps:

1. Check IBM support site for an applicable service bulletin or firmware update that applies to this error.
2. Reflash UEFI image.
3. (Trained service technician only) Replace the system board.

S.3058004 [S.3058004] A Three Strike boot failure has occurred. The system has booted with default UEFI settings.

Explanation: POST failure has occurred! System booted with default settings.

Severity: Error

User response: Complete the following steps:

1. This event resets UEFI to the default settings for the next boot. If successful, user is forced into F1 setup. Original UEFI settings are still present.
2. If User did not intentionally trigger the reboots, check logs for probable cause.

S.3108007 [S.3108007] The default system settings have been restored.

Explanation: System Configuration Restored to Defaults

Severity: Error

User response: Complete the following steps:

1. Check IBM support site for an applicable service bulletin or firmware update that applies to this error.
-

S.3818004 [S.3818004] The CRTM flash driver could not successfully flash the staging area. A failure occurred.

Explanation: CRTM Update Failed

Severity: Error

User response: Complete the following steps:

1. Continue booting system. If system does not reset, manually reset the system.
2. If the error is not reported on the subsequent boot, no additional recovery action is required.
3. If the error persists, continue booting system and reflash UEFI image.
4. (Trained service technician only) Replace the system board.

S.3818007 [S.3818007] The firmware image capsules for both flash banks could not be verified.

Explanation: CRTM image capsule could not be verified

Severity: Error

User response: Complete the following steps:

1. If system failed to boot successfully, DC cycle system.
2. If system boots to F1 step, flash UEFI image and reset bank to primary (if required). If system boots without error, recovery is complete and no additional action is required.
3. If system fails to boot, or if flash attempt fails, (Trained service technician only) Replace the system board.

S.51003 [S.51003] An uncorrectable memory error was detected in DIMM slot % on rank %. [S.51003] An uncorrectable memory error was detected on processor % channel %. The failing DIMM within the channel could not be determined. [S.51003] An uncorrectable memory error has been detected during POST.

Explanation: Fatal Memory Error Occurred

Severity: Error

User response: Complete the following steps:

1. If the node has recently been installed, moved, serviced, or upgraded, verify that the DIMM is properly seated and visually verify that there is no foreign material in any DIMM connector on that memory channel. If either of these conditions is found, correct and retry with the same DIMM. (Note: Event Log may contain a recent 00580A4 event

denoting detected change in DIMM population that could be related to this problem.)

2. If no problem is observed on the DIMM connectors or the problem persists, replace the DIMM identified by LightPath and/or event log entry.
3. If problem re-occurs on the same DIMM connector, replace the other DIMMs on the same memory channel.
4. Check IBM support site for an applicable service bulletin or firmware update that applies to this memory error.
5. (Trained Service technician only) If problem re-occurs on the same DIMM connector, inspect connector for damage. If found, replace system board.
6. (Trained Service technician only) Replace affected Processor.
7. (Trained Service technician only) Replace system board.

S.51006 [S.51006] A memory mismatch has been detected. Please verify that the memory configuration is valid.

Explanation: One or More Mismatched DIMMs Detected

Severity: Error

User response: Complete the following steps:

1. Could follow an uncorrectable memory error or failed memory test. Check log and service that event first. DIMMs disabled by other errors or actions could cause this event.
2. Verify that the DIMMs are installed in the correct population sequence, according to the service information for this product.
3. Disable memory mirroring and sparing. If this action eliminates the mismatch, check IBM Support site for information related to this problem.
4. Reflash UEFI firmware.
5. Replace DIMM
6. (Trained Service technician only) Replace Processor.

S.51009 [S.51009] No system memory has been detected.

Explanation: No Memory Detected

Severity: Error

User response: Complete the following steps:

1. Make sure that one or more DIMMs are installed in the server.
2. If no memory fault is recorded in the logs and no DIMM connector error LEDs are lit, verify that all DIMM connectors are enabled using the Setup utility or the Advanced Settings Utility (ASU).

S.58008 • W.11004

3. Re-Install all DIMMs verifying the correct population sequence, according to the service information for this product.
4. (Trained service technician only) Replace the processor.
5. (Trained service technician only) Replace the system board.

S.58008 [S.58008] A DIMM has failed the POST memory test.

Explanation: DIMM Failed Memory Test

Severity: Error

User response: Complete the following steps:

1. You must AC-cycle the system to re-enable affected DIMM connector or re-enable manually using F1 setup
2. If the node has been recently installed, serviced, moved, or upgraded, check to ensure that DIMMs are firmly seated and that no foreign material can be seen in the DIMM connector. If either condition is observed, correct and retry with the same DIMM. (Note: Event Log may contain a recent 00580A4 event denoting detected change in DIMM population that could be related to this problem.)
3. If problem persists, replace the DIMM identified by LightPath and/or event log entry.
4. If problem re-occurs on the same DIMM connector, swap the other DIMMs on the same memory channel across channels one at a time to a different memory channel or Processor. (check service information for this product/Install guide for population requirements for sparing/paring modes). If problem follows a moved DIMM to a different memory channel, replace that DIMM.
5. Check IBM support site for an applicable service bulletin or firmware update that applies to this memory error.
6. (Trained service technician only) If problem stays with the original DIMM connector, re-inspect DIMM connector for foreign material and remove, if found. If connector is damaged, replace system board.
7. (Trained service technician only) Remove affected Processor and inspect Processor socket pins for damaged or mis-aligned pins. If damage is found, or this is an upgrade Processor, replace system board. If there are multiple Processor's, swap Processor's to move affected Procesor to another Processor socket and retry. If problem follows the affected Processor (or there is only one Processor), replace the affected Processor.
8. (Trained Service technician only) Replace the system board.

S.68005 [S.68005] An error has been detected by the the IIO core logic on Bus %. The Global Fatal Error Status register contains %. The Global Non-Fatal Error Status register contains %. Please check error logs for the presence of additional downstream device error data.

Explanation: Critical IOH-PCI Error

Severity: Error

User response: Complete the following steps:

1. Check log for a separate error for an associated PCIe device and service that error.
2. Check IBM support site for an applicable service bulletin or firmware update for the system or adapter that applies to this error.
3. (Trained Service technician only) Replace the system board.

S.680B8 [S.680B8] Internal QPI Link Failure Detected.

Explanation: Internal QPI Link Failure Detected

Severity: Error

User response: Complete the following steps:

1. Check IBM support site for an applicable service bulletin or firmware update that applies to this error.
2. Inspect processor socket for foreign debris or damage. If debris is found remove debris.
3. If error recurs, or socket damage is found, replace the system board (Trained Service technician only) .
4. (Trained Service Technician Only) Replace the processor.

S.680B9 [S.680B9] External QPI Link Failure Detected.

Explanation: External QPI Link Failure Detected

Severity: Error

User response: Complete the following steps:

1. Check IBM support site for an applicable service bulletin or firmware update that applies to this error.
2. Inspect processor socket for foreign debris or damage. If debris is found remove debris.
3. If error recurs, or socket damage is found, replace the system board (Trained Service technician only) .

W.11004 [W.11004] A processor within the system has failed the BIST.

Explanation: Processor Self Test Failure Detected

Severity: Error

User response: Complete the following steps:

1. If the Processor or firmware was just updated, check IBM support site for an applicable service bulletin or firmware update that applies to this Processor error.
2. (Trained service technician only) If there are multiple Processor's, swap Processor's to move affected Processor to another Processor socket and retry. If problem follows the affected Processor, or this is a single Processor system, replace the Processor. Inspect Processor socket on each Processor removal and replace system board first if damaged or mis-aligned pins are found.
3. (Trained Service technician only) Replace the system board.

W.3048006 [W.3048006] UEFI has booted from the backup flash bank due to an Automatic Boot Recovery (ABR) event.

Explanation: Automated Boot Recovery, Booting Backup UEFI Image

Severity: Warning

User response: Complete the following steps:

1. Check IBM support site for an applicable service bulletin or firmware update that applies to this error.
2. Reflash Primary UEFI image. Refer to UEFI Recovery section of service information for this product.
3. (Trained service technician only) Replace the system board.

W.305000A [W.305000A] An invalid date and time have been detected.

Explanation: RTC Date and Time Incorrect

Severity: Warning

User response: Complete the following steps:

1. Check IMM/chassis event log. This event should immediately precede 0068002 error. Service that event or any other battery related errors.
2. Use F1 Setup to reset date and time. If problem returns after a system reset, replace CMOS battery.
3. If problem persists then check IBM support site for an applicable service bulletin or firmware update that applies to this error.
4. Trained Service technician only) Replace the system board.

W.3058009 [W.3058009] DRIVER HEALTH PROTOCOL: Missing Configuraiton. Requires Change Settings From F1.

Explanation: DRIVER HEALTH PROTOCOL: Missing Configuration. Requires Change Settings From F1

Severity: Warning

User response: Complete the following steps:

1. Go to System Settings > Settings > Driver Health Status List and find a driver/controller reporting Configuration Required status.
2. Search for the driver menu from System Settings and change settings appropriately.
3. Save settings and restart system.

W.305800A [W.305800A] DRIVER HEALTH PROTOCOL: Reports 'Failed' Status Controller.

Explanation: DRIVER HEALTH PROTOCOL: Reports 'Failed' Status Controller

Severity: Warning

User response: Complete the following steps:

1. Reboot the system.
2. If problem persists, switch to backup UEFI or reflash current UEFI image.
3. (Trained Service Technician Only) Replace system board.

W.305800B [W.305800B] DRIVER HEALTH PROTOCOL: Reports 'Reboot' Required Controller.

Explanation: DRIVER HEALTH PROTOCOL: Reports 'Reboot' Required Controller

Severity: Warning

User response: Complete the following steps:

1. No action required – system will reboot at the end of POST.
2. If problem persists, switch to backup UEFI or reflash current UEFI image.
3. (Trained Service Technician Only) Replace system board.

W.305800C [W.305800C] DRIVER HEALTH PROTOCOL: Reports 'System Shutdown' Required Controller.

Explanation: DRIVER HEALTH PROTOCOL: Reports 'System Shutdown' Required Controller

Severity: Warning

User response: Complete the following steps:

1. Reboot the system.
2. If problem persists, switch to backup UEFI or reflash current UEFI image.
3. (Trained Service Technician Only) Replace system board.

W.305800D [W.305800D] DRIVER HEALTH PROTOCOL: Disconnect Controller Failed. Requires 'Reboot'.

Explanation: DRIVER HEALTH PROTOCOL: Disconnect Controller Failed. Requires 'Reboot'

Severity: Warning

User response: Complete the following steps:

1. Reboot the system to reconnect the controller.
2. If problem persists, switch to backup UEFI or reflash current UEFI image.
3. (Trained Service Technician Only) Replace system board.

W.305800E [W.305800E] DRIVER HEALTH PROTOCOL: Reports Invalid Health Status Driver.

Explanation: DRIVER HEALTH PROTOCOL: Reports Invalid Health Status Driver

Severity: Warning

User response: Complete the following steps:

1. Reboot the system.
2. If problem persists, switch to backup UEFI or reflash current UEFI image.
3. (Trained Service Technician Only) Replace system board.

W.3808000 [W.3808000] An IMM communication failure has occurred.

Explanation: IMM Communication Failure

Severity: Warning

User response: Complete the following steps:

1. Reset IMM.
2. Remove AUX power from the system. This will reboot the entire system.
3. Check IBM support site for an applicable service bulletin or firmware update that applies to this error.
4. Reflash UEFI Firmware.
5. (Trained service technician only) Replace the system board.

W.3808002 [W.3808002] An error occurred while saving UEFI settings to the IMM.

Explanation: Error Updating System Configuration to IMM

Severity: Warning

User response: Complete the following steps:

1. Use F1 Setup, Verify Settings and Save Settings to recover settings.
2. Reset IMM.

3. Remove AUX power from the system. This will reboot the entire system.
4. Check IBM support site for an applicable service bulletin or firmware update that applies to this error.
5. Reflash IMM Firmware.
6. Remove and re-install CMOS battery for 30 seconds to clear CMOS contents.
7. (Trained Service technician only) Replace the system board.

W.3808003 [W.3808003] Unable to retrieve the system configuration from the IMM.

Explanation: Error Retrieving System Configuration from IMM

Severity: Warning

User response: Complete the following steps:

1. Use F1 Setup, Verify Settings and Save Settings to recover settings.
2. Reset IMM.
3. Remove AUX power from the system. This will reboot the entire system.
4. Check IBM support site for an applicable service bulletin or firmware update that applies to this error.
5. Reflash IMM Firmware.
6. Remove and re-install CMOS battery for 30 seconds to clear CMOS contents.
7. (Trained Service technician only) Replace the system board.

W.3818005 [W.3818005] The CRTM flash driver could not successfully flash the staging area. The update was aborted

Explanation: CRTM Update Aborted

Severity: Warning

User response: Complete the following steps:

1. Continue booting system. If system does not reset, manually reset the system.
2. If the error is not reported on the subsequent boot, no additional recovery action is required.
3. If the event persists, continue booting system and reflash UEFI image.
4. (Trained service technician only) Replace the system board.

W.381800D [W.381800D] TPM physical presence is in asserted state

Explanation: TPM physical presence is in asserted state

Severity: Warning

User response: Complete the following steps:

1. Complete any administrative tasks requiring the TPM physical presence switch to be in the "ON" position..
2. Restore the physical presence switch to the "OFF" position and reboot the system.
3. (Trained service technician only) Replace the system board.

W.3938002 [W.3938002] A boot configuration error has been detected.

Explanation: Boot Configuration Error

Severity: Warning

User response: Complete the following steps:

1. F1 Setup -> Save Settings
2. Retry OOB config update

W.50001 [W.50001] A DIMM has been disabled due to an error detected during POST.

Explanation: DIMM Disabled

Severity: Info

User response: Complete the following steps:

1. If the DIMM was disabled because of a memory fault, follow the procedure for that event.
2. If no memory fault is recorded in the logs and no DIMM connector error LEDs are lit, re-enable the DIMM through the Setup utility or the Advanced Settings Utility (ASU).
3. If problem persists, Power cycle the node.
4. Reset IMM to default settings.
5. Reset UEFI to default settings.
6. Reflash IMM and UEFI firmware.
7. (Trained Service technician only) Replace system board.

W.58001 [W.58001] The PFA Threshold limit (correctable error logging limit) has been exceeded on DIMM number % at address %. MC5 Status contains % and MC5 Misc contains %.

Explanation: DIMM PFA Threshold Exceeded

Severity: Error

User response: Complete the following steps:

1. If the node has recently been installed, moved, serviced, or upgraded, verify that the DIMM is properly seated and visually verify that there is no foreign material in any DIMM connector on that memory channel. If either of these conditions is found, correct and retry with the same DIMM. (Note: Event Log may contain a recent 00580A4 event denoting detected change in DIMM population that could be related to this problem.)

2. Check IBM support site for an applicable firmware update that applies to this memory error. The release notes will list the known problems the update addresses.
3. If the previous steps do not resolve the problem, at the next maintenance opportunity, replace the affected DIMM (as indicated by LightPath and/or failure log entry).
4. If PFA re-occurs on the same DIMM connector, swap the other DIMMs on the same memory channel one at a time to a different memory channel or Processor. (check service information for this product/Install guide for population requirements for sparing/paring modes). If PFA follows a moved DIMM to any DIMM connector on the different memory channel, replace the moved DIMM.
5. Check IBM support site for an applicable Service Bulletins (Service bulletins) that applies to this memory error. (Link to IBM support service bulletins)
6. (Trained service technician only) If problem continues to re-occur on the same DIMM connector, inspect DIMM connector for foreign material and remove, if found. If connector is damaged, replace system board.
7. (Trained service technician only) Remove affected Processor and inspect Processor socket pins for damaged or mis-aligned pins. If damage is found or Processor is an upgrade part, replace system board.
8. (Trained Service technician only) Replace affected processor.
9. (Trained Service technician only) Replace system board.

W.58007 [W.58007] Invalid memory configuration (Unsupported DIMM Population) detected. Please verify memory configuration is valid.

Explanation: Unsupported DIMM Population

Severity: Error

User response: Complete the following steps:

1. Could follow an uncorrectable memory error or failed memory test. Check log and service that event first. DIMMs disabled by other errors or actions could cause this event.
2. Ensure that the DIMM connectors are populated according to the guidelines in the service information for this product.

W.580A1 [W.580A1] Invalid memory configuration for Mirror Mode. Please correct memory configuration.

Explanation: Unsupported DIMM Population for Mirror Mode

Severity: Error

User response: Complete the following steps:

1. If a DIMM connector error LED is lit, resolve the failure.
2. Make sure that the DIMM connectors are correctly populated for mirroring mode, according to the service information for this product.

W.580A2 [W.580A2] Invalid memory configuration for Sparing Mode. Please correct memory configuration.

Explanation: Unsupported DIMM Population for Spare Mode

Severity: Error

User response: Complete the following steps:

1. Make sure that the DIMM connectors are correctly populated for sparing mode, according to the service information for this product.

W.68002 [W.68002] A CMOS battery error has been detected

Explanation: CMOS Battery Fault

Severity: Error

User response: Complete the following steps:

1. If the system was recently Installed, Moved, or Serviced, make sure the battery is properly seated.
2. Check IBM support site for an applicable service bulletin or firmware update that applies to this error.
3. Replace CMOS Battery
4. (Trained Service technician only) Replace the system board.

System event log

The system event log contains messages of three types:

Information

Information messages do not require action; they record significant system-level events, such as when the server is started.

Warning

Warning messages do not require immediate action; they indicate possible problems, such as when the recommended maximum ambient temperature is exceeded.

Error Error messages might require action; they indicate system errors, such as when a fan is not detected.

Each message contains date and time information, and it indicates the source of the message (POST or the IMM2).

Integrated management module II (IMM2) error messages

The following table describes the IMM2 error messages and suggested actions to correct the detected problems.

For more information about IMM2, see the *Integrated Management Module II User's Guide* at <http://www.ibm.com/support/entry/portal/docdisplay?Indocid=MIGR-5086346>.

40000001-00000000 Management Controller [arg1] Network Initialization Complete.

Explanation: This message is for the use case where a Management Controller network has completed initialization.

Internal Event: No

Severity: Info

Alert Category: System - IMM Network event

Serviceable: No

CIM Information: Prefix: IMM and ID: 0001

SNMP Trap ID: 37

Automatically notify Support: No

User response: Information only; no action is required.

40000002-00000000 Certificate Authority [arg1] has detected a [arg2] Certificate Error.

Explanation: This message is for the use case when

there is an error with an SSL Server, SSL Client, or SSL Trusted CA Certificate.

Internal Event: No

Severity: Error

Alert Category: System - SSL certification

Serviceable: No

CIM Information: Prefix: IMM and ID: 0002

SNMP Trap ID: 22

Automatically notify Support: No

User response: Make sure that the certificate that you are importing is correct and properly generated.

40000003-00000000 Ethernet Data Rate modified from [arg1] to [arg2] by user [arg3].

Explanation: This message is for the use case where a user modifies the Ethernet Port data rate.

Internal Event: No

Severity: Info

Alert Category: none

Serviceable: No

CIM Information: Prefix: IMM and ID: 0003

SNMP Trap ID:

Automatically notify Support: No

User response: Information only; no action is required.

40000004-00000000 Ethernet Duplex setting modified from [arg1] to [arg2] by user [arg3].

Explanation: This message is for the use case where A user modifies the Ethernet Port duplex setting.

Internal Event: No

Severity: Info

Alert Category: none

Serviceable: No

CIM Information: Prefix: IMM and ID: 0004

SNMP Trap ID:

Automatically notify Support: No

User response: Information only; no action is required.

40000005-00000000 Ethernet MTU setting modified from [arg1] to [arg2] by user [arg3].

Explanation: This message is for the use case where a user modifies the Ethernet Port MTU setting.

Internal Event: No

Severity: Info

Alert Category: none

Serviceable: No

CIM Information: Prefix: IMM and ID: 0005

SNMP Trap ID:

Automatically notify Support: No

User response: Information only; no action is required.

40000006-00000000 Ethernet locally administered MAC address modified from [arg1] to [arg2] by user [arg3].

Explanation: This message is for the use case where a user modifies the Ethernet Port MAC address setting.

Internal Event: No

Severity: Info

Alert Category: none

Serviceable: No

CIM Information: Prefix: IMM and ID: 0006

SNMP Trap ID:

Automatically notify Support: No

User response: Information only; no action is required.

40000007-00000000 Ethernet interface [arg1] by user [arg2].

Explanation: This message is for the use case where a user enables or disabled the ethernet interface.

Internal Event: No

Severity: Info

Alert Category: none

Serviceable: No

CIM Information: Prefix: IMM and ID: 0007

SNMP Trap ID:

Automatically notify Support: No

User response: Information only; no action is required.

40000008-00000000 Hostname set to [arg1] by user [arg2].

Explanation: This message is for the use case where user modifies the Hostname of a Management Controller.

Internal Event: No

Severity: Info

Alert Category: System - IMM Network event

Serviceable: No

CIM Information: Prefix: IMM and ID: 0008

SNMP Trap ID: 37

Automatically notify Support: No

User response: Information only; no action is required.

40000009-00000000 IP address of network interface modified from [arg1] to [arg2] by user [arg3].

Explanation: This message is for the use case where user modifies the IP address of a Management Controller.

Internal Event: No

Severity: Info

Alert Category: System - IMM Network event

Serviceable: No

CIM Information: Prefix: IMM and ID: 0009

SNMP Trap ID: 37

Automatically notify Support: No

User response: Information only; no action is required.

4000000a-00000000 IP subnet mask of network interface modified from [arg1] to [arg2] by user [arg3].

Explanation: This message is for the use case where a user modifies the IP subnet mask of a Management Controller.

Internal Event: No

Severity: Info

Alert Category: none

Serviceable: No

CIM Information: Prefix: IMM and ID: 0010

SNMP Trap ID:

Automatically notify Support: No

User response: Information only; no action is required.

4000000b-00000000 IP address of default gateway modified from [arg1] to [arg2] by user [arg3].

Explanation: This message is for the use case where a user modifies the default gateway IP address of a Management Controller.

Internal Event: No

Severity: Info

Alert Category: none

Serviceable: No

CIM Information: Prefix: IMM and ID: 0011

SNMP Trap ID:

Automatically notify Support: No

User response: Information only; no action is required.

4000000c-00000000 OS Watchdog response [arg1] by [arg2] .

Explanation: This message is for the use case where an OS Watchdog has been enabled or disabled by a user.

Internal Event: No

Severity: Warning

Alert Category: none

Serviceable: No

CIM Information: Prefix: IMM and ID: 0012

SNMP Trap ID:

Automatically notify Support: No

User response: Information only; no action is required.

4000000d-00000000 DHCP[[arg1]] failure, no IP address assigned.

Explanation: This message is for the use case where a DHCP server fails to assign an IP address to a Management Controller.

Internal Event: No

Severity: Warning

Alert Category: none

Serviceable: No

CIM Information: Prefix: IMM and ID: 0013

SNMP Trap ID:

Automatically notify Support: No

User response: Complete the following steps until the problem is solved:

1. Make sure that the IMM network cable is connected.
2. Make sure that there is a DHCP server on the network that can assign an IP address to the IMM.

4000000e-00000000 Remote Login Successful.
Login ID: [arg1] from [arg2] at IP address [arg3].

Explanation: This message is for the use case where a user successfully logs in to a Management Controller.

Internal Event: No

Severity: Info

Alert Category: System - Remote Login

Serviceable: No

CIM Information: Prefix: IMM and ID: 0014

SNMP Trap ID: 30

Automatically notify Support: No

User response: Information only; no action is required.

4000000f-00000000 Attempting to [arg1] server [arg2] by user [arg3].

Explanation: This message is for the use case where a user is using the Management Controller to perform a power function on the system.

Internal Event: No

Severity: Info

Alert Category: none

Serviceable: No

CIM Information: Prefix: IMM and ID: 0015

SNMP Trap ID:

Automatically notify Support: No

User response: Information only; no action is required.

40000010-00000000 Security: Userid: [arg1] had [arg2] login failures from WEB client at IP address [arg3].

Explanation: This message is for the use case where a user has failed to log in to a Management Controller from a web browser.

Internal Event: No

Severity: Warning

Alert Category: System - Remote Login

Serviceable: No

CIM Information: Prefix: IMM and ID: 0016

SNMP Trap ID: 30

Automatically notify Support: No

User response: Complete the following steps until the problem is solved:

1. Make sure that the correct login ID and password are being used.
2. Have the system administrator reset the login ID or password.

40000011-00000000 Security: Login ID: [arg1] had [arg2] login failures from CLI at [arg3].

Explanation: This message is for the use case where a user has failed to log in to a Management Controller from the Legacy CLI.

Internal Event: No

Severity: Warning

Alert Category: System - Remote Login

Serviceable: No

CIM Information: Prefix: IMM and ID: 0017

SNMP Trap ID: 30

Automatically notify Support: No

User response: Complete the following steps until the problem is solved:

1. Make sure that the correct login ID and password are being used.
2. Have the system administrator reset the login ID or password.

40000012-00000000 Remote access attempt failed. Invalid userid or password received. Userid is [arg1] from WEB browser at IP address [arg2].

Explanation: This message is for the use case where a remote user has failed to establish a remote control session from a Web browser session.

Internal Event: No

Severity: Info

Alert Category: System - Remote Login

Serviceable: No

CIM Information: Prefix: IMM and ID: 0018

SNMP Trap ID: 30

Automatically notify Support: No

User response: Make sure that the correct login ID

40000013-00000000 • 40000018-00000000

and password are being used.

40000013-00000000 Remote access attempt failed. Invalid userid or password received. Userid is [arg1] from TELNET client at IP address [arg2].

Explanation: This message is for the use case where a user has failed to log in to a Management Controller from a telnet session.

Internal Event: No

Severity: Info

Alert Category: System - Remote Login

Serviceable: No

CIM Information: Prefix: IMM and ID: 0019

SNMP Trap ID: 30

Automatically notify Support: No

User response: Make sure that the correct login ID and password are being used.

40000014-00000000 The [arg1] on system [arg2] cleared by user [arg3].

Explanation: This message is for the use case where a Management Controller Event Log on a system is cleared by a user.

Internal Event: No

Severity: Info

Alert Category: none

Serviceable: No

CIM Information: Prefix: IMM and ID: 0020

SNMP Trap ID:

Automatically notify Support: No

User response: Information only; no action is required.

40000015-00000000 Management Controller [arg1] reset was initiated by user [arg2].

Explanation: This message is for the use case where a Management Controller reset is initiated by a user.

Internal Event: No

Severity: Info

Alert Category: none

Serviceable: No

CIM Information: Prefix: IMM and ID: 0021

SNMP Trap ID:

Automatically notify Support: No

User response: Information only; no action is required.

40000016-00000000 ENET[[arg1]] DHCP-HSTN=[arg2], DN=[arg3], IP@=[arg4], SN=[arg5], GW@=[arg6], DNS1@=[arg7] .

Explanation: This message is for the use case where a Management Controller IP address and configuration has been assigned by the DHCP server.

Internal Event: No

Severity: Info

Alert Category: none

Serviceable: No

CIM Information: Prefix: IMM and ID: 0022

SNMP Trap ID:

Automatically notify Support: No

User response: Information only; no action is required.

40000017-00000000 ENET[[arg1]] IP-Cfg:HstName=[arg2], IP@=[arg3], NetMsk=[arg4], GW@=[arg5] .

Explanation: This message is for the use case where a Management Controller IP address and configuration has been assigned statically using user data.

Internal Event: No

Severity: Info

Alert Category: none

Serviceable: No

CIM Information: Prefix: IMM and ID: 0023

SNMP Trap ID:

Automatically notify Support: No

User response: Information only; no action is required.

40000018-00000000 LAN: Ethernet[[arg1]] interface is no longer active.

Explanation: This message is for the use case where a Management Controller ethernet interface is no longer active.

Internal Event: No

Severity: Info

Alert Category: none

Serviceable: No

CIM Information: Prefix: IMM and ID: 0024

SNMP Trap ID:**Automatically notify Support:** No**User response:** Information only; no action is required.

40000019-00000000 LAN: Ethernet[[arg1]] interface is now active.**Explanation:** This message is for the use case where a Management Controller ethernet interface is now active.**Internal Event:** No**Severity:** Info**Alert Category:** none**Serviceable:** No**CIM Information:** Prefix: IMM and ID: 0025**SNMP Trap ID:****Automatically notify Support:** No**User response:** Information only; no action is required.

4000001a-00000000 DHCP setting changed to [arg1] by user [arg2].**Explanation:** This message is for the use case where a user changes the DHCP setting.**Internal Event:** No**Severity:** Info**Alert Category:** none**Serviceable:** No**CIM Information:** Prefix: IMM and ID: 0026**SNMP Trap ID:****Automatically notify Support:** No**User response:** Information only; no action is required.

4000001b-00000000 Management Controller [arg1]: Configuration restored from a file by user [arg2].**Explanation:** This message is for the use case where a user restores a Management Controller configuration from a file.**Internal Event:** No**Severity:** Info**Alert Category:** none**Serviceable:** No**CIM Information:** Prefix: IMM and ID: 0027**SNMP Trap ID:****Automatically notify Support:** No**User response:** Information only; no action is required.

4000001c-00000000 Watchdog [arg1] Screen Capture Occurred .**Explanation:** This message is for the use case where an operating system error has occurred and the screen was captured.**Internal Event:** No**Severity:** Info**Alert Category:** System - other**Serviceable:** No**CIM Information:** Prefix: IMM and ID: 0028**SNMP Trap ID:** 22**Automatically notify Support:** No**User response:** If there was no operating-system error, complete the following steps until the problem is solved:

1. Reconfigure the watchdog timer to a higher value.
2. Make sure that the IMM Ethernet-over-USB interface is enabled.
3. Reinstall the RNDIS or cdc_ether device driver for the operating system.
4. Disable the watchdog.

If there was an operating-system error, check the integrity of the installed operating system.

4000001d-00000000 Watchdog [arg1] Failed to Capture Screen.**Explanation:** This message is for the use case where an operating system error has occurred and the screen capture failed.**Internal Event:** No**Severity:** Error**Alert Category:** System - other**Serviceable:** No**CIM Information:** Prefix: IMM and ID: 0029**SNMP Trap ID:** 22**Automatically notify Support:** No**User response:** Complete the following steps until the problem is solved:

1. Reconfigure the watchdog timer to a higher value.
2. Make sure that the IMM Ethernet over USB interface is enabled.

4000001e-00000000 • 40000022-00000000

3. Reinstall the RNDIS or cdc_ether device driver for the operating system.
4. Disable the watchdog. Check the integrity of the installed operating system.
5. Update the IMM firmware. Important: Some cluster solutions require specific code levels or coordinated code updates. If the device is part of a cluster solution, verify that the latest level of code is supported for the cluster solution before you update the code.

4000001e-00000000 Running the backup Management Controller [arg1] main application.

Explanation: This message is for the use case where a Management Controller has resorted to running the backup main application.

Internal Event: No

Severity: Warning

Alert Category: System - other

Serviceable: No

CIM Information: Prefix: IMM and ID: 0030

SNMP Trap ID: 22

Automatically notify Support: No

User response: Update the IMM firmware. Important: Some cluster solutions require specific code levels or coordinated code updates. If the device is part of a cluster solution, verify that the latest level of code is supported for the cluster solution before you update the code.

4000001f-00000000 Please ensure that the Management Controller [arg1] is flashed with the correct firmware. The Management Controller is unable to match its firmware to the server.

Explanation: This message is for the use case where a Management Controller firmware version does not match the server.

Internal Event: No

Severity: Error

Alert Category: System - other

Serviceable: No

CIM Information: Prefix: IMM and ID: 0031

SNMP Trap ID: 22

Automatically notify Support: No

User response: Update the IMM firmware to a version that the server supports. Important: Some cluster solutions require specific code levels or coordinated code updates. If the device is part of a cluster solution,

verify that the latest level of code is supported for the cluster solution before you update the code.

40000020-00000000 Management Controller [arg1] Reset was caused by restoring default values.

Explanation: This message is for the use case where a Management Controller has been reset due to a user restoring the configuration to default values.

Internal Event: No

Severity: Info

Alert Category: none

Serviceable: No

CIM Information: Prefix: IMM and ID: 0032

SNMP Trap ID:

Automatically notify Support: No

User response: Information only; no action is required.

40000021-00000000 Management Controller [arg1] clock has been set from NTP server [arg2].

Explanation: This message is for the use case where a Management Controller clock has been set from the Network Time Protocol server.

Internal Event: No

Severity: Info

Alert Category: none

Serviceable: No

CIM Information: Prefix: IMM and ID: 0033

SNMP Trap ID:

Automatically notify Support: No

User response: Information only; no action is required.

40000022-00000000 SSL data in the Management Controller [arg1] configuration data is invalid. Clearing configuration data region and disabling SSL.

Explanation: This message is for the use case where a Management Controller has detected invalid SSL data in the configuration data and is clearing the configuration data region and disabling the SSL.

Internal Event: No

Severity: Error

Alert Category: System - other

Serviceable: No

CIM Information: Prefix: IMM and ID: 0034

SNMP Trap ID: 22

Automatically notify Support: No

User response: Complete the following steps until the problem is solved:

1. Make sure that the certificate that you are importing is correct.
2. Try to import the certificate again.

40000023-00000000 Flash of [arg1] from [arg2] succeeded for user [arg3] .

Explanation: This message is for the use case where a user has successfully flashed the firmware component (MC Main Application, MC Boot ROM, BIOS, Diagnostics, System Power Backplane, Remote Expansion Enclosure Power Backplane, Integrated System Management Processor, or Remote Expansion Enclosure Processor) from the interface and IP address (%d).

Internal Event: No

Severity: Info

Alert Category: none

Serviceable: No

CIM Information: Prefix: IMM and ID: 0035

SNMP Trap ID:

Automatically notify Support: No

User response: Information only; no action is required.

40000024-00000000 Flash of [arg1] from [arg2] failed for user [arg3].

Explanation: This message is for the use case where a user has not flashed the firmware component from the interface and IP address due to a failure.

Internal Event: No

Severity: Info

Alert Category: System - other

Serviceable: No

CIM Information: Prefix: IMM and ID: 0036

SNMP Trap ID: 22

Automatically notify Support: No

User response: Information only; no action is required.

40000025-00000000 The [arg1] on system [arg2] is 75% full.

Explanation: This message is for the use case where a Management Controller Event Log on a system is 75% full.

Internal Event: No

Severity: Info

Alert Category: System - Event Log 75% full

Serviceable: No

CIM Information: Prefix: IMM and ID: 0037

SNMP Trap ID: 35

Automatically notify Support: No

User response: Information only; no action is required.

40000026-00000000 The [arg1] on system [arg2] is 100% full.

Explanation: This message is for the use case where a Management Controller Event Log on a system is 100% full.

Internal Event: No

Severity: Info

Alert Category: System - Event Log 75% full

Serviceable: No

CIM Information: Prefix: IMM and ID: 0038

SNMP Trap ID: 35

Automatically notify Support: No

User response: To avoid losing older log entries, save the log as a text file and clear the log.

40000027-00000000 Platform Watchdog Timer expired for [arg1].

Explanation: This message is for the use case when an implementation has detected a Platform Watchdog Timer Expired

Internal Event: No

Severity: Error

Alert Category: System - OS Timeout

Serviceable: No

CIM Information: Prefix: IMM and ID: 0039

SNMP Trap ID: 21

Automatically notify Support: No

User response: Complete the following steps until the problem is solved:

1. Reconfigure the watchdog timer to a higher value.

40000028-00000000 • 4000002d-00000000

2. Make sure that the IMM Ethernet-over-USB interface is enabled.
3. Reinstall the RNDIS or cdc_ether device driver for the operating system.
4. Disable the watchdog.
5. Check the integrity of the installed operating system.

40000028-00000000 Management Controller Test Alert Generated by [arg1].

Explanation: This message is for the use case where a user has generated a Test Alert.

Internal Event: No

Severity: Info

Alert Category: System - other

Serviceable: No

CIM Information: Prefix: IMM and ID: 0040

SNMP Trap ID: 22

Automatically notify Support: No

User response: Information only; no action is required.

40000029-00000000 Security: Userid: [arg1] had [arg2] login failures from an SSH client at IP address [arg3].

Explanation: This message is for the use case where a user has failed to log in to a Management Controller from SSH.

Internal Event: No

Severity: Info

Alert Category: System - Remote Login

Serviceable: No

CIM Information: Prefix: IMM and ID: 0041

SNMP Trap ID: 30

Automatically notify Support: No

User response: Complete the following steps until the problem is solved:

1. Make sure that the correct login ID and password are being used.
2. Have the system administrator reset the login ID or password.

4000002a-00000000 [arg1] firmware mismatch internal to system [arg2]. Please attempt to flash the [arg3] firmware.

Explanation: This message is for the use case where a specific type of firmware mismatch has been detected.

Internal Event: No

Severity: Error

Alert Category: System - Other

Serviceable: No

CIM Information: Prefix: IMM and ID: 0042

SNMP Trap ID: 22

Automatically notify Support: No

User response: Reflash the IMM firmware to the latest version.

4000002b-00000000 Domain name set to [arg1].

Explanation: Domain name set by user

Internal Event: No

Severity: Info

Alert Category: none

Serviceable: No

CIM Information: Prefix: IMM and ID: 0043

SNMP Trap ID:

Automatically notify Support: No

User response: Information only; no action is required.

4000002c-00000000 Domain Source changed to [arg1] by user [arg2].

Explanation: Domain source changed by user

Internal Event: No

Severity: Info

Alert Category: none

Serviceable: No

CIM Information: Prefix: IMM and ID: 0044

SNMP Trap ID:

Automatically notify Support: No

User response: Information only; no action is required.

4000002d-00000000 DDNS setting changed to [arg1] by user [arg2].

Explanation: DDNS setting changed by user

Internal Event: No

Severity: Info

Alert Category: none

Serviceable: No

CIM Information: Prefix: IMM and ID: 0045

SNMP Trap ID:**Automatically notify Support:** No**User response:** Information only; no action is required.

**4000002e-00000000 DDNS registration successful.
The domain name is [arg1].****Explanation:** DDNS registration and values**Internal Event:** No**Severity:** Info**Alert Category:** none**Serviceable:** No**CIM Information:** Prefix: IMM and ID: 0046**SNMP Trap ID:****Automatically notify Support:** No**User response:** Information only; no action is required.

4000002f-00000000 IPv6 enabled by user [arg1] .**Explanation:** IPv6 protocol is enabled by user**Internal Event:** No**Severity:** Info**Alert Category:** none**Serviceable:** No**CIM Information:** Prefix: IMM and ID: 0047**SNMP Trap ID:****Automatically notify Support:** No**User response:** Information only; no action is required.

40000030-00000000 IPv6 disabled by user [arg1] .**Explanation:** IPv6 protocol is disabled by user**Internal Event:** No**Severity:** Info**Alert Category:** none**Serviceable:** No**CIM Information:** Prefix: IMM and ID: 0048**SNMP Trap ID:****Automatically notify Support:** No**User response:** Information only; no action is required.

**40000031-00000000 IPv6 static IP configuration
enabled by user [arg1].****Explanation:** IPv6 static address assignment method is enabled by user**Internal Event:** No**Severity:** Info**Alert Category:** none**Serviceable:** No**CIM Information:** Prefix: IMM and ID: 0049**SNMP Trap ID:****Automatically notify Support:** No**User response:** Information only; no action is required.

**40000032-00000000 IPv6 DHCP enabled by user
[arg1].****Explanation:** IPv6 DHCP assignment method is enabled by user**Internal Event:** No**Severity:** Info**Alert Category:** none**Serviceable:** No**CIM Information:** Prefix: IMM and ID: 0050**SNMP Trap ID:****Automatically notify Support:** No**User response:** Information only; no action is required.

**40000033-00000000 IPv6 stateless
auto-configuration enabled by user
[arg1].****Explanation:** IPv6 statless auto-assignment method is enabled by user**Internal Event:** No**Severity:** Info**Alert Category:** none**Serviceable:** No**CIM Information:** Prefix: IMM and ID: 0051**SNMP Trap ID:****Automatically notify Support:** No**User response:** Information only; no action is required.

40000034-00000000 IPv6 static IP configuration disabled by user [arg1].

Explanation: IPv6 static assignment method is disabled by user

Internal Event: No

Severity: Info

Alert Category: none

Serviceable: No

CIM Information: Prefix: IMM and ID: 0052

SNMP Trap ID:

Automatically notify Support: No

User response: Information only; no action is required.

40000035-00000000 IPv6 DHCP disabled by user [arg1].

Explanation: IPv6 DHCP assignment method is disabled by user

Internal Event: No

Severity: Info

Alert Category: none

Serviceable: No

CIM Information: Prefix: IMM and ID: 0053

SNMP Trap ID:

Automatically notify Support: No

User response: Information only; no action is required.

40000036-00000000 IPv6 stateless auto-configuration disabled by user [arg1].

Explanation: IPv6 statless auto-assignment method is disabled by user

Internal Event: No

Severity: Info

Alert Category: none

Serviceable: No

CIM Information: Prefix: IMM and ID: 0054

SNMP Trap ID:

Automatically notify Support: No

User response: Information only; no action is required.

40000037-00000000 ENET[[arg1]] IPv6-LinkLocal:HstName=[arg2], IP@[arg3] ,Pref=[arg4] .

Explanation: IPv6 Link Local address is active

Internal Event: No

Severity: Info

Alert Category: none

Serviceable: No

CIM Information: Prefix: IMM and ID: 0055

SNMP Trap ID:

Automatically notify Support: No

User response: Information only; no action is required.

40000038-00000000 ENET[[arg1]] IPv6-Static:HstName=[arg2], IP@[arg3] ,Pref=[arg4], GW@[arg5] .

Explanation: IPv6 Static address is active

Internal Event: No

Severity: Info

Alert Category: none

Serviceable: No

CIM Information: Prefix: IMM and ID: 0056

SNMP Trap ID:

Automatically notify Support: No

User response: Information only; no action is required.

40000039-00000000 ENET[[arg1]] DHCPv6-HSTN=[arg2], DN=[arg3], IP@[arg4], Pref=[arg5].

Explanation: IPv6 DHCP-assigned address is active

Internal Event: No

Severity: Info

Alert Category: none

Serviceable: No

CIM Information: Prefix: IMM and ID: 0057

SNMP Trap ID:

Automatically notify Support: No

User response: Information only; no action is required.

4000003a-00000000 IPv6 static address of network interface modified from [arg1] to [arg2] by user [arg3].

Explanation: A user modifies the IPv6 static address of a Management Controller

Internal Event: No

Severity: Info

Alert Category: none

Serviceable: No

CIM Information: Prefix: IMM and ID: 0058

SNMP Trap ID:

Automatically notify Support: No

User response: Information only; no action is required.

4000003b-00000000 DHCPv6 failure, no IP address assigned.

Explanation: S DHCP6 server fails to assign an IP address to a Management Controller.

Internal Event: No

Severity: Warning

Alert Category: none

Serviceable: No

CIM Information: Prefix: IMM and ID: 0059

SNMP Trap ID:

Automatically notify Support: No

User response: Complete the following steps until the problem is solved:

1. Make sure that the IMM network cable is connected.
2. Make sure that there is a DHCPv6 server on the network that can assign an IP address to the IMM.

4000003c-00000000 Platform Watchdog Timer expired for [arg1].

Explanation: An implementation has detected an OS Loader Watchdog Timer Expired

Internal Event: No

Severity: Error

Alert Category: System - Loader timeout

Serviceable: No

CIM Information: Prefix: IMM and ID: 0060

SNMP Trap ID: 26

Automatically notify Support: No

User response:

1. Reconfigure the watchdog timer to a higher value.
2. Make sure that the IMM Ethernet over USB interface is enabled.
3. Reinstall the RNDIS or cdc_ether device driver for the operating system.
4. Disable the watchdog.
5. Check the integrity of the installed operating system.

4000003d-00000000 Telnet port number changed from [arg1] to [arg2] by user [arg3].

Explanation: A user has modified the telnet port number

Internal Event: No

Severity: Info

Alert Category: none

Serviceable: No

CIM Information: Prefix: IMM and ID: 0061

SNMP Trap ID:

Automatically notify Support: No

User response: Information only; no action is required.

4000003e-00000000 SSH port number changed from [arg1] to [arg2] by user [arg3].

Explanation: A user has modified the SSH port number

Internal Event: No

Severity: Info

Alert Category: none

Serviceable: No

CIM Information: Prefix: IMM and ID: 0062

SNMP Trap ID:

Automatically notify Support: No

User response: Information only; no action is required.

4000003f-00000000 Web-HTTP port number changed from [arg1] to [arg2] by user [arg3].

Explanation: A user has modified the Web HTTP port number

Internal Event: No

Severity: Info

Alert Category: none

40000040-00000000 • 40000045-00000000

Serviceable: No

CIM Information: Prefix: IMM and ID: 0063

SNMP Trap ID:

Automatically notify Support: No

User response: Information only; no action is required.

40000040-00000000 Web-HTTPS port number changed from [arg1] to [arg2] by user [arg3].

Explanation: A user has modified the Web HTTPS port number

Internal Event: No

Severity: Info

Alert Category: none

Serviceable: No

CIM Information: Prefix: IMM and ID: 0064

SNMP Trap ID:

Automatically notify Support: No

User response: Information only; no action is required.

40000041-00000000 CIM/XML HTTP port number changed from [arg1] to [arg2] by user [arg3].

Explanation: A user has modified the CIM HTTP port number

Internal Event: No

Severity: Info

Alert Category: none

Serviceable: No

CIM Information: Prefix: IMM and ID: 0065

SNMP Trap ID:

Automatically notify Support: No

User response: Information only; no action is required.

40000042-00000000 CIM/XML HTTPS port number changed from [arg1] to [arg2] by user [arg3].

Explanation: A user has modified the CIM HTTPS port number

Internal Event: No

Severity: Info

Alert Category: none

Serviceable: No

CIM Information: Prefix: IMM and ID: 0066

SNMP Trap ID:

Automatically notify Support: No

User response: Information only; no action is required.

40000043-00000000 SNMP Agent port number changed from [arg1] to [arg2] by user [arg3].

Explanation: A user has modified the SNMP Agent port number

Internal Event: No

Severity: Info

Alert Category: none

Serviceable: No

CIM Information: Prefix: IMM and ID: 0067

SNMP Trap ID:

Automatically notify Support: No

User response: Information only; no action is required.

40000044-00000000 SNMP Traps port number changed from [arg1] to [arg2] by user [arg3].

Explanation: A user has modified the SNMP Traps port number

Internal Event: No

Severity: Info

Alert Category: none

Serviceable: No

CIM Information: Prefix: IMM and ID: 0068

SNMP Trap ID:

Automatically notify Support: No

User response: Information only; no action is required.

40000045-00000000 Syslog port number changed from [arg1] to [arg2] by user [arg3].

Explanation: A user has modified the Syslog receiver port number

Internal Event: No

Severity: Info

Alert Category: none

Serviceable: No

CIM Information: Prefix: IMM and ID: 0069

SNMP Trap ID:

Automatically notify Support: No

User response: Information only; no action is required.

40000046-00000000 Remote Presence port number changed from [arg1] to [arg2] by user [arg3].

Explanation: A user has modified the Remote Presence port number

Internal Event: No

Severity: Info

Alert Category: none

Serviceable: No

CIM Information: Prefix: IMM and ID: 0070

SNMP Trap ID:

Automatically notify Support: No

User response: Information only; no action is required.

40000047-00000000 LED [arg1] state changed to [arg2] by [arg3].

Explanation: A user has modified the state of an LED

Internal Event: No

Severity: Info

Alert Category: none

Serviceable: No

CIM Information: Prefix: IMM and ID: 0071

SNMP Trap ID:

Automatically notify Support: No

User response: Information only; no action is required.

40000048-00000000 Inventory data changed for device [arg1], new device data hash=[arg2], new master data hash=[arg3].

Explanation: Something has caused the physical inventory to change

Internal Event: No

Severity: Info

Alert Category: none

Serviceable: No

CIM Information: Prefix: IMM and ID: 0072

SNMP Trap ID:

Automatically notify Support: No

User response: Information only; no action is required.

40000049-00000000 SNMP [arg1] enabled by user [arg2].

Explanation: A user enabled SNMPv1 or SNMPv3 or Traps

Internal Event: No

Severity: Info

Alert Category: none

Serviceable: No

CIM Information: Prefix: IMM and ID: 0073

SNMP Trap ID:

Automatically notify Support: No

User response: Information only; no action is required.

4000004a-00000000 SNMP [arg1] disabled by user [arg2].

Explanation: A user disabled SNMPv1 or SNMPv3 or Traps

Internal Event: No

Severity: Info

Alert Category: none

Serviceable: No

CIM Information: Prefix: IMM and ID: 0074

SNMP Trap ID:

Automatically notify Support: No

User response: Information only; no action is required.

4000004b-00000000 SNMPv1 [arg1] set by user [arg2]: Name=[arg3], AccessType=[arg4], Address=[arg5], .

Explanation: A user changed the SNMP community string

Internal Event: No

Severity: Info

Alert Category: none

Serviceable: No

CIM Information: Prefix: IMM and ID: 0075

SNMP Trap ID:

4000004c-00000000 • 40000051-00000000

Automatically notify Support: No

User response: Information only; no action is required.

4000004c-00000000 LDAP Server configuration set by user [arg1]:
SelectionMethod=[arg2],
DomainName=[arg3], Server1=[arg4],
Server2=[arg5], Server3=[arg6],
Server4=[arg7].

Explanation: A user changed the LDAP server configuration

Internal Event: No

Severity: Info

Alert Category: none

Serviceable: No

CIM Information: Prefix: IMM and ID: 0076

SNMP Trap ID:

Automatically notify Support: No

User response: Information only; no action is required.

4000004d-00000000 LDAP set by user [arg1]:
RootDN=[arg2],
UIDSearchAttribute=[arg3],
BindingMethod=[arg4],
EnhancedRBS=[arg5],
TargetName=[arg6], GroupFilter=[arg7],
GroupAttribute=[arg8],
LoginAttribute=[arg9].

Explanation: A user configured an LDAP Miscellaneous setting

Internal Event: No

Severity: Info

Alert Category: none

Serviceable: No

CIM Information: Prefix: IMM and ID: 0077

SNMP Trap ID:

Automatically notify Support: No

User response: Information only; no action is required.

4000004e-00000000 Serial Redirection set by user [arg1]: Mode=[arg2], BaudRate=[arg3],
StopBits=[arg4], Parity=[arg5],
SessionTerminateSequence=[arg6].

Explanation: A user configured the Serial Port mode

Internal Event: No

Severity: Info

Alert Category: none

Serviceable: No

CIM Information: Prefix: IMM and ID: 0078

SNMP Trap ID:

Automatically notify Support: No

User response: Information only; no action is required.

4000004f-00000000 Date and Time set by user [arg1]: Date=[arg2], Time=[arg3], DST
Auto-adjust=[arg4], Timezone=[arg5].

Explanation: A user configured the Date and Time settings

Internal Event: No

Severity: Info

Alert Category: none

Serviceable: No

CIM Information: Prefix: IMM and ID: 0079

SNMP Trap ID:

Automatically notify Support: No

User response: Information only; no action is required.

40000050-00000000 Server General Settings set by user [arg1]: Name=[arg2],
Contact=[arg3], Location=[arg4],
Room=[arg5], RackID=[arg6], Rack
U-position=[arg7].

Explanation: A user configured the Location setting

Internal Event: No

Severity: Info

Alert Category: none

Serviceable: No

CIM Information: Prefix: IMM and ID: 0080

SNMP Trap ID:

Automatically notify Support: No

User response: Information only; no action is required.

40000051-00000000 Server Power Off Delay set to [arg1] by user [arg2].

Explanation: A user configured the Server Power Off Delay

Internal Event: No

Severity: Info

Alert Category: none

Serviceable: No

CIM Information: Prefix: IMM and ID: 0081

SNMP Trap ID:

Automatically notify Support: No

User response: Information only; no action is required.

40000052-00000000 Server [arg1] scheduled for [arg2] at [arg3] by user [arg4].

Explanation: A user configured a Server Power action at a specific time

Internal Event: No

Severity: Info

Alert Category: none

Serviceable: No

CIM Information: Prefix: IMM and ID: 0082

SNMP Trap ID:

Automatically notify Support: No

User response: Information only; no action is required.

40000053-00000000 Server [arg1] scheduled for every [arg2] at [arg3] by user [arg4].

Explanation: A user configured a recurring Server Power Action

Internal Event: No

Severity: Info

Alert Category: none

Serviceable: No

CIM Information: Prefix: IMM and ID: 0083

SNMP Trap ID:

Automatically notify Support: No

User response: Information only; no action is required.

40000054-00000000 Server [arg1] [arg2] cleared by user [arg3].

Explanation: A user cleared a Server Power Action.

Internal Event: No

Severity: Info

Alert Category: none

Serviceable: No

CIM Information: Prefix: IMM and ID: 0084

SNMP Trap ID:

Automatically notify Support: No

User response: Information only; no action is required.

40000055-00000000 Synchronize time setting by user [arg1]: Mode=[arg2], NTPServerHost=[arg3]:[arg4],NTPUpdateFrequency=[arg5].

Explanation: A user configured the Date and Time synchronize settings

Internal Event: No

Severity: Info

Alert Category: none

Serviceable: No

CIM Information: Prefix: IMM and ID: 0085

SNMP Trap ID:

Automatically notify Support: No

User response: Information only; no action is required.

40000056-00000000 SMTP Server set by user [arg1] to [arg2]:[arg3].

Explanation: A user configured the SMTP server

Internal Event: No

Severity: Info

Alert Category: none

Serviceable: No

CIM Information: Prefix: IMM and ID: 0086

SNMP Trap ID:

Automatically notify Support: No

User response: Information only; no action is required.

40000057-00000000 Telnet [arg1] by user [arg2].

Explanation: A user enables or disables Telnet services

Internal Event: No

Severity: Info

Alert Category: none

Serviceable: No

CIM Information: Prefix: IMM and ID: 0087

SNMP Trap ID:

Automatically notify Support: No

40000058-00000000 • 4000005d-00000000

User response: Information only; no action is required.

40000058-00000000 DNS servers set by user
[arg1]: UseAdditionalServers=[arg2],
PreferredDNStype=[arg3],
IPv4Server1=[arg4],
IPv4Server2=[arg5],
IPv4Server3=[arg6],
IPv6Server1=[arg7],
IPv6Server2=[arg8],
IPv6Server3=[arg9].

Explanation: A user configures the DNS servers

Internal Event: No

Severity: Info

Alert Category: none

Serviceable: No

CIM Information: Prefix: IMM and ID: 0088

SNMP Trap ID:

Automatically notify Support: No

User response: Information only; no action is required.

40000059-00000000 LAN over USB [arg1] by user
[arg2].

Explanation: A user configured USB-LAN

Internal Event: No

Severity: Info

Alert Category: none

Serviceable: No

CIM Information: Prefix: IMM and ID: 0089

SNMP Trap ID:

Automatically notify Support: No

User response: Information only; no action is required.

4000005a-00000000 LAN over USB Port
Forwarding set by user [arg1]:
ExternalPort=[arg2], USB-LAN
port=[arg3].

Explanation: A user configured USB-LAN port forwarding

Internal Event: No

Severity: Info

Alert Category: none

Serviceable: No

CIM Information: Prefix: IMM and ID: 0090

SNMP Trap ID:

Automatically notify Support: No

User response: Information only; no action is required.

4000005b-00000000 Secure Web services (HTTPS)
[arg1] by user [arg2].

Explanation: A user enables or disables Secure web services

Internal Event: No

Severity: Info

Alert Category: none

Serviceable: No

CIM Information: Prefix: IMM and ID: 0091

SNMP Trap ID:

Automatically notify Support: No

User response: Information only; no action is required.

4000005c-00000000 Secure CIM/XML(HTTPS)
[arg1] by user [arg2].

Explanation: A user enables or disables Secure CIM/XML services

Internal Event: No

Severity: Info

Alert Category: none

Serviceable: No

CIM Information: Prefix: IMM and ID: 0092

SNMP Trap ID:

Automatically notify Support: No

User response: Information only; no action is required.

4000005d-00000000 Secure LDAP [arg1] by user
[arg2].

Explanation: A user enables or disables Secure LDAP services

Internal Event: No

Severity: Info

Alert Category: none

Serviceable: No

CIM Information: Prefix: IMM and ID: 0093

SNMP Trap ID:

Automatically notify Support: No

User response: Information only; no action is required.

4000005e-00000000 SSH [arg1] by user [arg2].

Explanation: A user enables or disables SSH services

Internal Event: No

Severity: Info

Alert Category: none

Serviceable: No

CIM Information: Prefix: IMM and ID: 0094

SNMP Trap ID:

Automatically notify Support: No

User response: Information only; no action is required.

4000005f-00000000 Server timeouts set by user [arg1]: EnableOSWatchdog=[arg2], OSWatchdogTimeout=[arg3], EnableLoaderWatchdog=[arg4], LoaderTimeout=[arg5].

Explanation: A user configures Server Timeouts

Internal Event: No

Severity: Info

Alert Category: none

Serviceable: No

CIM Information: Prefix: IMM and ID: 0095

SNMP Trap ID:

Automatically notify Support: No

User response: Information only; no action is required.

40000060-00000000 License key for [arg1] added by user [arg2].

Explanation: A user installs License Key

Internal Event: No

Severity: Info

Alert Category: none

Serviceable: No

CIM Information: Prefix: IMM and ID: 0096

SNMP Trap ID:

Automatically notify Support: No

User response: Information only; no action is required.

40000061-00000000 License key for [arg1] removed by user [arg2].

Explanation: A user removes a License Key

Internal Event: No

Severity: Info

Alert Category: none

Serviceable: No

CIM Information: Prefix: IMM and ID: 0097

SNMP Trap ID:

Automatically notify Support: No

User response: Information only; no action is required.

40000062-00000000 Global Login General Settings set by user [arg1]: AuthenticationMethod=[arg2], LockoutPeriod=[arg3], SessionTimeout=[arg4].

Explanation: A user changes the Global Login General Settings

Internal Event: No

Severity: Info

Alert Category: none

Serviceable: No

CIM Information: Prefix: IMM and ID: 0098

SNMP Trap ID:

Automatically notify Support: No

User response: Information only; no action is required.

40000063-00000000 Global Login Account Security set by user [arg1]: PasswordRequired=[arg2], PasswordExpirationPeriod=[arg3], MinimumPasswordReuseCycle=[arg4], MinimumPasswordLength=[arg5], MinimumPasswordChangeInterval=[arg6], MaxmumLoginFailures=[arg7], LockoutAfterMaxFailures=[arg8], MinimumDifferentCharacters=[arg9], DefaultIDExpired=[arg10], ChangePasswordFirstAccess=[arg11].

Explanation: A user changes the Global Login Account Security Settings to Legacy

Internal Event: No

Severity: Info

Alert Category: none

40000064-00000000 • 40000069-00000000

Serviceable: No

CIM Information: Prefix: IMM and ID: 0099

SNMP Trap ID:

Automatically notify Support: No

User response: Information only; no action is required.

40000064-00000000 User [arg1] created..

Explanation: A user account was created

Internal Event: No

Severity: Info

Alert Category: none

Serviceable: No

CIM Information: Prefix: IMM and ID: 0100

SNMP Trap ID:

Automatically notify Support: No

User response: Information only; no action is required.

40000065-00000000 User [arg1] removed...

Explanation: A user account was deleted

Internal Event: No

Severity: Info

Alert Category: none

Serviceable: No

CIM Information: Prefix: IMM and ID: 0101

SNMP Trap ID:

Automatically notify Support: No

User response: Information only; no action is required.

40000066-00000000 User [arg1] password modified..

Explanation: A user account was changed

Internal Event: No

Severity: Info

Alert Category: none

Serviceable: No

CIM Information: Prefix: IMM and ID: 0102

SNMP Trap ID:

Automatically notify Support: No

User response: Information only; no action is required.

40000067-00000000 User [arg1] role set to [arg2].

Explanation: A user account role assigned

Internal Event: No

Severity: Info

Alert Category: none

Serviceable: No

CIM Information: Prefix: IMM and ID: 0103

SNMP Trap ID:

Automatically notify Support: No

User response: Information only; no action is required.

40000068-00000000 User [arg1] custom privileges set: [arg2].

Explanation: User account privileges assigned

Internal Event: No

Severity: Info

Alert Category: none

Serviceable: No

CIM Information: Prefix: IMM and ID: 0104

SNMP Trap ID:

Automatically notify Support: No

User response: Information only; no action is required.

40000069-00000000 User [arg1] for SNMPv3 set: AuthenticationProtocol=[arg2], PrivacyProtocol=[arg3], AccessType=[arg4], HostforTraps=[arg5].

Explanation: User account SNMPv3 settings changed

Internal Event: No

Severity: Info

Alert Category: none

Serviceable: No

CIM Information: Prefix: IMM and ID: 0105

SNMP Trap ID:

Automatically notify Support: No

User response: Information only; no action is required.

4000006a-00000000 SSH Client key added for user [arg1].

Explanation: User locally defined an SSH Client key

Internal Event: No

Severity: Info

Alert Category: none

Serviceable: No

CIM Information: Prefix: IMM and ID: 0106

SNMP Trap ID:

Automatically notify Support: No

User response: Information only; no action is required.

4000006b-00000000 SSH Client key imported for user [arg1] from [arg2].

Explanation: User imported an SSH Client key

Internal Event: No

Severity: Info

Alert Category: none

Serviceable: No

CIM Information: Prefix: IMM and ID: 0107

SNMP Trap ID:

Automatically notify Support: No

User response: Information only; no action is required.

4000006c-00000000 SSH Client key removed from user [arg1].

Explanation: User removed an SSH Client key

Internal Event: No

Severity: Info

Alert Category: none

Serviceable: No

CIM Information: Prefix: IMM and ID: 0108

SNMP Trap ID:

Automatically notify Support: No

User response: Information only; no action is required.

4000006d-00000000 Management Controller [arg1]: Configuration saved to a file by user [arg2].

Explanation: A user saves a Management Controller configuration to a file.

Internal Event: No

Severity: Info

Alert Category: none

Serviceable: No

CIM Information: Prefix: IMM and ID: 0109

SNMP Trap ID:

Automatically notify Support: No

User response: Information only; no action is required.

4000006e-00000000 Alert Configuration Global Event Notification set by user [arg1]: RetryLimit=[arg2], RetryInterval=[arg3], EntryInterval=[arg4].

Explanation: A user changes the Global Event Notification settings.

Internal Event: No

Severity: Info

Alert Category: none

Serviceable: No

CIM Information: Prefix: IMM and ID: 0110

SNMP Trap ID:

Automatically notify Support: No

User response: Information only; no action is required.

4000006f-00000000 Alert Recipient Number [arg1] updated: Name=[arg2], DeliveryMethod=[arg3], Address=[arg4], IncludeLog=[arg5], Enabled=[arg6], EnabledAlerts=[arg7], AllowedFilters=[arg8].

Explanation: A user adds or updates an Alert Recipient

Internal Event: No

Severity: Info

Alert Category: none

Serviceable: No

CIM Information: Prefix: IMM and ID: 0111

SNMP Trap ID:

Automatically notify Support: No

User response: Information only; no action is required.

40000070-00000000 SNMP Traps enabled by user
[arg1]: EnabledAlerts=[arg2],
AllowedFilters=[arg3] .

Explanation: A user enabled the SNMP Traps configuration

Internal Event: No

Severity: Info

Alert Category: none

Serviceable: No

CIM Information: Prefix: IMM and ID: 0112

SNMP Trap ID:

Automatically notify Support: No

User response: Information only; no action is required.

40000071-00000000 The power cap value changed from [arg1] watts to [arg2] watts by user [arg3].

Explanation: Power Cap values changed by user

Internal Event: No

Severity: Info

Alert Category: none

Serviceable: No

CIM Information: Prefix: IMM and ID: 0113

SNMP Trap ID:

Automatically notify Support: No

User response: Information only; no action is required.

40000072-00000000 The minimum power cap value changed from [arg1] watts to [arg2] watts.

Explanation: Minimum Power Cap value changed

Internal Event: No

Severity: Info

Alert Category: none

Serviceable: No

CIM Information: Prefix: IMM and ID: 0114

SNMP Trap ID:

Automatically notify Support: No

User response: Information only; no action is required.

40000073-00000000 The maximum power cap value changed from [arg1] watts to [arg2] watts.

Explanation: Maximum Power Cap value changed

Internal Event: No

Severity: Info

Alert Category: none

Serviceable: No

CIM Information: Prefix: IMM and ID: 0115

SNMP Trap ID:

Automatically notify Support: No

User response: Information only; no action is required.

40000074-00000000 The soft minimum power cap value changed from [arg1] watts to [arg2] watts.

Explanation: Soft Minimum Power Cap value changed

Internal Event: No

Severity: Info

Alert Category: none

Serviceable: No

CIM Information: Prefix: IMM and ID: 0116

SNMP Trap ID:

Automatically notify Support: No

User response: Information only; no action is required.

40000075-00000000 The measured power value exceeded the power cap value.

Explanation: Power exceeded cap

Internal Event: No

Severity: Warning

Alert Category: Warning - Power

Serviceable: No

CIM Information: Prefix: IMM and ID: 0117

SNMP Trap ID: 164

Automatically notify Support: No

User response: Information only; no action is required.

40000076-00000000 The new minimum power cap value exceeded the power cap value.

Explanation: Minimum Power Cap exceeds Power Cap

Internal Event: No

Severity: Warning

Alert Category: Warning - Power

Serviceable: No

CIM Information: Prefix: IMM and ID: 0118

SNMP Trap ID: 164

Automatically notify Support: No

User response: Information only; no action is required.

40000077-00000000 Power capping was activated by user [arg1].

Explanation: Power capping activated by user

Internal Event: No

Severity: Info

Alert Category: none

Serviceable: No

CIM Information: Prefix: IMM and ID: 0119

SNMP Trap ID:

Automatically notify Support: No

User response: Information only; no action is required.

40000078-00000000 Power capping was deactivated by user [arg1].

Explanation: Power capping deactivated by user

Internal Event: No

Severity: Info

Alert Category: none

Serviceable: No

CIM Information: Prefix: IMM and ID: 0120

SNMP Trap ID:

Automatically notify Support: No

User response: Information only; no action is required.

40000079-00000000 Static Power Savings mode has been turned on by user [arg1].

Explanation: Static Power Savings mode turned on by user

Internal Event: No

Severity: Info

Alert Category: none

Serviceable: No

CIM Information: Prefix: IMM and ID: 0121

SNMP Trap ID:

Automatically notify Support: No

User response: Information only; no action is required.

4000007a-00000000 Static Power Savings mode has been turned off by user [arg1].

Explanation: Static Power Savings mode turned off by user

Internal Event: No

Severity: Info

Alert Category: none

Serviceable: No

CIM Information: Prefix: IMM and ID: 0122

SNMP Trap ID:

Automatically notify Support: No

User response: Information only; no action is required.

4000007b-00000000 Dynamic Power Savings mode has been turned on by user [arg1].

Explanation: Dynamic Power Savings mode turned on by user

Internal Event: No

Severity: Info

Alert Category: none

Serviceable: No

CIM Information: Prefix: IMM and ID: 0123

SNMP Trap ID:

Automatically notify Support: No

User response: Information only; no action is required.

4000007c-00000000 Dynamic Power Savings mode has been turned off by user [arg1].

Explanation: Dynamic Power Savings mode turned off by user

Internal Event: No

Severity: Info

Alert Category: none

Serviceable: No

CIM Information: Prefix: IMM and ID: 0124

SNMP Trap ID:

Automatically notify Support: No

User response: Information only; no action is required.

4000007d-00000000 Power cap and external throttling occurred.

Explanation: Power cap and external throttling occurred

Internal Event: No

Severity: Info

Alert Category: none

Serviceable: No

CIM Information: Prefix: IMM and ID: 0125

SNMP Trap ID:

Automatically notify Support: No

User response: Information only; no action is required.

4000007e-00000000 External throttling occurred .

Explanation: External throttling occurred

Internal Event: No

Severity: Info

Alert Category: none

Serviceable: No

CIM Information: Prefix: IMM and ID: 0126

SNMP Trap ID:

Automatically notify Support: No

User response: Information only; no action is required.

4000007f-00000000 Power cap throttling occurred.

Explanation: Power cap throttling occurred

Internal Event: No

Severity: Info

Alert Category: none

Serviceable: No

CIM Information: Prefix: IMM and ID: 0127

SNMP Trap ID:

Automatically notify Support: No

User response: Information only; no action is required.

40000080-00000000 Remote Control session started by user [arg1] in [arg2] mode.

Explanation: Remote Control session started

Internal Event: No

Severity: Info

Alert Category: none

Serviceable: No

CIM Information: Prefix: IMM and ID: 0128

SNMP Trap ID:

Automatically notify Support: No

User response: Information only; no action is required.

40000081-00000000 PXE boot requested by user [arg1].

Explanation: PXE boot requested

Internal Event: No

Severity: Info

Alert Category: none

Serviceable: No

CIM Information: Prefix: IMM and ID: 0129

SNMP Trap ID:

Automatically notify Support: No

User response: Information only; no action is required.

40000082-00000000 The measured power value has returned below the power cap value.

Explanation: Power exceeded cap recovered

Internal Event: No

Severity: Info

Alert Category: Warning - Power

Serviceable: No

CIM Information: Prefix: IMM and ID: 0130

SNMP Trap ID: 164

Automatically notify Support: No

User response: Information only; no action is required.

40000083-00000000 The new minimum power cap value has returned below the power cap value.

Explanation: Minimum Power Cap exceeds Power Cap recovered

Internal Event: No

Severity: Info

Alert Category: Warning - Power

Serviceable: No

CIM Information: Prefix: IMM and ID: 0131

SNMP Trap ID: 164

Automatically notify Support: No

User response: Information only; no action is required.

40000084-00000000 IMM firmware mismatch between nodes [arg1] and [arg2]. Please attempt to flash the IMM firmware to the same level on all nodes.

Explanation: A mismatch of IMM firmware has been detected between nodes

Internal Event: No

Severity: Error

Alert Category: System - Other

Serviceable: No

CIM Information: Prefix: IMM and ID: 0132

SNMP Trap ID: 22

Automatically notify Support: No

User response: Attempt to flash the IMM firmware to the same level on all nodes.

40000085-00000000 FPGA firmware mismatch between nodes [arg1] and [arg2]. Please attempt to flash the FPGA firmware to the same level on all nodes.

Explanation: A mismatch of FPGA firmware has been detected between nodes

Internal Event: No

Severity: Error

Alert Category: System - Other

Serviceable: No

CIM Information: Prefix: IMM and ID: 0133

SNMP Trap ID: 22

Automatically notify Support: No

User response: Attempt to flash the FPGA firmware to the same level on all nodes.

40000086-00000000 Test Call Home Generated by user [arg1].

Explanation: Test Call Home generated by user.

Internal Event: No

Severity: Info

Alert Category: none

Serviceable: No

CIM Information: Prefix: IMM and ID: 0134

SNMP Trap ID:

Automatically notify Support: Yes

User response: Information only; no action is required.

40000087-00000000 Manual Call Home by user [arg1]: [arg2].

Explanation: Manual Call Home by user.

Internal Event: No

Severity: Info

Alert Category: none

Serviceable: No

CIM Information: Prefix: IMM and ID: 0135

SNMP Trap ID:

Automatically notify Support: Yes

User response: IBM Support will address the problem.

40000088-00000000 Management Controller [arg1]: Configuration restoration from a file by user [arg2] completed..

Explanation: This message is for the use case where a user restores a Management Controller configuration from a file and it completes.

Internal Event: No

Severity: Info

Alert Category: none

Serviceable: No

CIM Information: Prefix: IMM and ID: 0136

SNMP Trap ID:

Automatically notify Support: No

User response: Information only; no action is required.

**40000089-00000000 Management Controller [arg1]:
Configuration restoration from a file by
user [arg2] failed to complete..**

Explanation: This message is for the use case where a user restores a Management Controller configuration from a file and the restoration fails to complete.

Internal Event: No

Severity: Error

Alert Category: System - Other

Serviceable: No

CIM Information: Prefix: IMM and ID: 0137

SNMP Trap ID: 22

Automatically notify Support: No

User response:

1. Turn off the server and disconnect it from the power source. You must disconnect the server from ac power to reset the IMM.
2. After 45 seconds, reconnect the server to the power source and turn on the server.
3. Retry the operation.

**4000008a-00000000 Management Controller [arg1]:
Configuration restoration from a file by
user [arg2] failed to start..**

Explanation: This message is for the use case where a user restores a Management Controller configuration from a file and the restoration fails to start.

Internal Event: No

Severity: Error

Alert Category: System - Other

Serviceable: No

CIM Information: Prefix: IMM and ID: 0138

SNMP Trap ID: 22

Automatically notify Support: No

User response:

1. Turn off the server and disconnect it from the power source. You must disconnect the server from ac power to reset the IMM.
2. After 45 seconds, reconnect the server to the power source and turn on the server.
3. Retry the operation.

**4000008b-00000000 One or more of the Storage
Management IP addresses has
changed..**

Explanation: This message is for the use case where an IP address for the Storage Management has changed

Internal Event: No

Severity: Info

Alert Category: System - IMM Network event

Serviceable: No

CIM Information: Prefix: IMM and ID: 0139

SNMP Trap ID: 37

Automatically notify Support: No

User response: Information only; no action is required.

**80010002-0701ffff Numeric sensor
[NumericSensorElementName] going
low (lower non-critical) has asserted.
(CMOS Battery)**

Explanation: This message is for the use case when an implementation has detected a Lower Non-critical sensor going low has asserted.

Internal Event: No

Severity: Warning

Alert Category: Warning - Voltage

Serviceable: Yes

CIM Information: Prefix: PLAT and ID: 0476

SNMP Trap ID: 13

Automatically notify Support: No

User response: Replace the system battery.

**80010202-0701ffff Numeric sensor
[NumericSensorElementName] going
low (lower critical) has asserted.**

Explanation: This message is for the use case when an implementation has detected a Lower Critical sensor going low has asserted.

Internal Event: No

Severity: Error

Alert Category: Critical - Voltage

Serviceable: Yes

CIM Information: Prefix: PLAT and ID: 0480

SNMP Trap ID: 1

Automatically notify Support: Yes

User response: If the specified sensor is CMOS battery, replace the system battery. If the specified sensor is Planar 3.3V or Planar 5V, (trained technician only) replace the system board. If the specified sensor is Planar 12V, complete the following steps until the problem is solved:

1. Check power supply n LED.
2. Remove the failing power supply.
3. Follow actions in "Power Problems and Solving Power Problems".
4. (Trained technician only) Replace the system board. (n = power supply number)

80010204-1d01ffff Numeric sensor
[NumericSensorElementName] going low (lower critical) has asserted. (Fan 1 Tach)

Explanation: This message is for the use case when an implementation has detected a Lower Critical sensor going low has asserted.

Internal Event: No

Severity: Error

Alert Category: Critical - Fan Failure

Serviceable: Yes

CIM Information: Prefix: PLAT and ID: 0480

SNMP Trap ID: 11

Automatically notify Support: No

User response:

1. Reseat the failing fan n, which is indicated by a lit LED near the fan connector on the system board.
2. Replace the failing fan. (n = fan number)

80010204-1d02ffff Numeric sensor
[NumericSensorElementName] going low (lower critical) has asserted. (Fan 2 Tach)

Explanation: This message is for the use case when an implementation has detected a Lower Critical sensor going low has asserted.

Internal Event: No

Severity: Error

Alert Category: Critical - Fan Failure

Serviceable: Yes

CIM Information: Prefix: PLAT and ID: 0480

SNMP Trap ID: 11

Automatically notify Support: No

User response:

1. Reseat the failing fan n, which is indicated by a lit LED near the fan connector on the system board.
2. Replace the failing fan. (n = fan number)

80010204-1d03ffff Numeric sensor
[NumericSensorElementName] going low (lower critical) has asserted. (Fan 3 Tach)

Explanation: This message is for the use case when an implementation has detected a Lower Critical sensor going low has asserted.

Internal Event: No

Severity: Error

Alert Category: Critical - Fan Failure

Serviceable: Yes

CIM Information: Prefix: PLAT and ID: 0480

SNMP Trap ID: 11

Automatically notify Support: No

User response:

1. Reseat the failing fan n, which is indicated by a lit LED near the fan connector on the system board.
2. Replace the failing fan. (n = fan number)

80010204-1d04ffff Numeric sensor
[NumericSensorElementName] going low (lower critical) has asserted. (Fan 4 Tach)

Explanation: This message is for the use case when an implementation has detected a Lower Critical sensor going low has asserted.

Internal Event: No

Severity: Error

Alert Category: Critical - Fan Failure

Serviceable: Yes

CIM Information: Prefix: PLAT and ID: 0480

SNMP Trap ID: 11

Automatically notify Support: No

User response:

1. Reseat the failing fan n, which is indicated by a lit LED near the fan connector on the system board.
2. Replace the failing fan. (n = fan number)

80010701-0b01ffff Numeric sensor
[NumericSensorElementName] going high (upper non-critical) has asserted.

Explanation: This message is for the use case when an implementation has detected an Upper Non-critical sensor going high has asserted.

Internal Event: No

Severity: Warning

Alert Category: Warning - Temperature

Serviceable: Yes

CIM Information: Prefix: PLAT and ID: 0490

SNMP Trap ID: 12

Automatically notify Support: No

User response: If the specified sensor is one of the following sensors, GPU 1 Temp, K10 1 Temp, K20 1 Temp, K20X 1 Temp, Mic 1 CPU Temp, Mic 2 CPU Temp, VGX K1 1 Temp, VGX K2 1 Temp, complete the following steps until the problem is solved:

1. Make sure that the fans are operating, that there are no obstructions to the airflow (front and rear of the server), that the air baffle is in place and correctly installed, and that the server cover is installed and completely closed.
2. Check the ambient temperature. You must be operating within the specifications (see Server Features and specifications for more information).
3. Make sure that the heat sink for GPUs installed properly.
4. If you are using Intel GPU card, then replace both GPU cards.
5. If you are using NVidia GPU card, then replace GPU 1 card.

80010701-0b02ffff Numeric sensor
[NumericSensorElementName] going high (upper non-critical) has asserted.

Explanation: This message is for the use case when an implementation has detected an Upper Non-critical sensor going high has asserted.

Internal Event: No

Severity: Warning

Alert Category: Warning - Temperature

Serviceable: Yes

CIM Information: Prefix: PLAT and ID: 0490

SNMP Trap ID: 12

Automatically notify Support: No

User response: If the specified sensor is one of the following sensors, GPU 2 Temp, K10 2 Temp, K20 2 Temp, K20X 2 Temp, Mic 1 MEM Temp, Mic 2 MEM

Temp, VGX K1 2 Temp, VGX K2 2 Temp, complete the following steps until the problem is solved:

1. Make sure that the fans are operating, that there are no obstructions to the airflow (front and rear of the server), that the air baffle is in place and correctly installed, and that the server cover is installed and completely closed.
2. Check the ambient temperature. You must be operating within the specifications (see Server Features and specifications for more information).
3. Make sure that the heat sink for GPU installed properly.
4. If you are using Intel GPU card, then replace both GPU cards.
5. If you are using NVidia GPU card, then replace GPU 2 card.

80010701-0b03ffff Numeric sensor
[NumericSensorElementName] going high (upper non-critical) has asserted.

Explanation: This message is for the use case when an implementation has detected an Upper Non-critical sensor going high has asserted.

Internal Event: No

Severity: Warning

Alert Category: Warning - Temperature

Serviceable: Yes

CIM Information: Prefix: PLAT and ID: 0490

SNMP Trap ID: 12

Automatically notify Support: No

User response: If the specified sensor is Mic 1 VR Temp or Mic 2 VR Temp, complete the following steps until the problem is solved:

1. Make sure that the fans are operating, that there are no obstructions to the airflow (front and rear of the server), that the air baffle is in place and correctly installed, and that the server cover is installed and completely closed.
2. Check the ambient temperature. You must be operating within the specifications (see Server Features and specifications for more information).
3. Make sure that the heat sink for GPUs installed properly.
4. If you are using Intel GPU card, then replace both GPU cards.

80010701-1001ffff Numeric sensor
[NumericSensorElementName] going high (upper non-critical) has asserted.

Explanation: This message is for the use case when an implementation has detected an Upper Non-critical sensor going high has asserted.

Internal Event: No**Severity:** Warning**Alert Category:** Warning - Temperature**Serviceable:** Yes**CIM Information:** Prefix: PLAT and ID: 0490**SNMP Trap ID:** 12**Automatically notify Support:** No**User response:** If the specified sensor is Paddle Card Temp or Riser 1A Temp, complete the following steps until the problem is solved:

1. Make sure that the fans are operating, that there are no obstructions to the airflow (front and rear of the server), that the air baffle is in place and correctly installed, and that the server cover is installed and completely closed.
2. Check the ambient temperature. You must be operating within the specifications (see Server Features and specifications for more information).
3. Replace paddle card and riser 1 card.

80010701-1002ffff Numeric sensor
[NumericSensorElementName] going high (upper non-critical) has asserted. (Riser 2A Temp)

Explanation: This message is for the use case when an implementation has detected an Upper Non-critical sensor going high has asserted.**Internal Event:** No**Severity:** Warning**Alert Category:** Warning - Temperature**Serviceable:** Yes**CIM Information:** Prefix: PLAT and ID: 0490**SNMP Trap ID:** 12**Automatically notify Support:** No**User response:**

1. Make sure that the fans are operating, that there are no obstructions to the airflow (front and rear of the server), that the air baffle is in place and correctly installed, and that the server cover is installed and completely closed.
2. Check the ambient temperature. You must be operating within the specifications (see Server Features and specifications for more information).
3. Replace riser card.
4. Replace riser 2 card.

80010701-1003ffff Numeric sensor
[NumericSensorElementName] going high (upper non-critical) has asserted. (Riser 1B Temp)

Explanation: This message is for the use case when an implementation has detected an Upper Non-critical sensor going high has asserted.**Internal Event:** No**Severity:** Warning**Alert Category:** Warning - Temperature**Serviceable:** Yes**CIM Information:** Prefix: PLAT and ID: 0490**SNMP Trap ID:** 12**Automatically notify Support:** No**User response:**

1. Make sure that the fans are operating, that there are no obstructions to the airflow (front and rear of the server), that the air baffle is in place and correctly installed, and that the server cover is installed and completely closed.
2. Check the ambient temperature. You must be operating within the specifications (see Server Features and specifications for more information).
3. Replace riser 1 card.

80010701-1004ffff Numeric sensor
[NumericSensorElementName] going high (upper non-critical) has asserted. (Riser 2B Temp)

Explanation: This message is for the use case when an implementation has detected an Upper Non-critical sensor going high has asserted.**Internal Event:** No**Severity:** Warning**Alert Category:** Warning - Temperature**Serviceable:** Yes**CIM Information:** Prefix: PLAT and ID: 0490**SNMP Trap ID:** 12**Automatically notify Support:** No**User response:**

1. Make sure that the fans are operating, that there are no obstructions to the airflow (front and rear of the server), that the air baffle is in place and correctly installed, and that the server cover is installed and completely closed.
2. Check the ambient temperature. You must be operating within the specifications (see Server Features and specifications for more information).
3. Replace riser 2 card.

80010701-2701ffff Numeric sensor
[NumericSensorElementName] going high (upper non-critical) has asserted. (Ambient Temp)

Explanation: This message is for the use case when an implementation has detected an Upper Non-critical sensor going high has asserted.

Internal Event: No

Severity: Warning

Alert Category: Warning - Temperature

Serviceable: Yes

CIM Information: Prefix: PLAT and ID: 0490

SNMP Trap ID: 12

Automatically notify Support: No

User response:

1. Make sure that the fans are operating, that there are no obstructions to the airflow (front and rear of the server), that the air baffle is in place and correctly installed, and that the server cover is installed and completely closed.
2. Check the ambient temperature. You must be operating within the specifications (see Server Features and specifications for more information).
3. (Trained technician only) Replace system board.

80010701-2c01ffff Numeric sensor
[NumericSensorElementName] going high (upper non-critical) has asserted. (Mezz Card Temp)

Explanation: This message is for the use case when an implementation has detected an Upper Non-critical sensor going high has asserted.

Internal Event: No

Severity: Warning

Alert Category: Warning - Temperature

Serviceable: Yes

CIM Information: Prefix: PLAT and ID: 0490

SNMP Trap ID: 12

Automatically notify Support: No

User response:

1. Make sure that the fans are operating, that there are no obstructions to the airflow (front and rear of the server), that the air baffle is in place and correctly installed, and that the server cover is installed and completely closed.
2. Check the ambient temperature. You must be operating within the specifications (see Server Features and specifications for more information).

3. Make sure that the heat sink for mezz card installed properly.
4. Replace mezz card.

80010701-2d01ffff Numeric sensor
[NumericSensorElementName] going high (upper non-critical) has asserted. (PCH Temp)

Explanation: This message is for the use case when an implementation has detected an Upper Non-critical sensor going high has asserted.

Internal Event: No

Severity: Warning

Alert Category: Warning - Temperature

Serviceable: Yes

CIM Information: Prefix: PLAT and ID: 0490

SNMP Trap ID: 12

Automatically notify Support: No

User response:

1. Make sure that the fans are operating, that there are no obstructions to the airflow (front and rear of the server), that the air baffle is in place and correctly installed, and that the server cover is installed and completely closed.
2. Check the ambient temperature. You must be operating within the specifications (see Server Features and specifications for more information).
3. Make sure that the heat sink for PCH chipset installed well.
4. (Trained technician only) Replace PCH chipset.

80010901-0b01ffff Numeric sensor
[NumericSensorElementName] going high (upper critical) has asserted.

Explanation: This message is for the use case when an implementation has detected an Upper Critical sensor going high has asserted.

Internal Event: No

Severity: Error

Alert Category: Critical - Temperature

Serviceable: Yes

CIM Information: Prefix: PLAT and ID: 0494

SNMP Trap ID: 0

Automatically notify Support: No

User response: If the specified sensor is one of the following sensors, GPU 1 Temp, K10 1 Temp, K20 1 Temp, K20X 1 Temp, Mic 1 CPU Temp, Mic 2 CPU Temp, VGX K1 1 Temp, VGX K2 1 Temp, complete the following steps until the problem is solved:

1. Make sure that the fans are operating, that there are no obstructions to the airflow (front and rear of the server), that the air baffle is in place and correctly installed, and that the server cover is installed and completely closed.
2. Check the ambient temperature. You must be operating within the specifications (see Server Features and specifications for more information).
3. Make sure that the heat sink for GPUs installed properly.
4. If you are using Intel GPU card, then replace both GPU cards.
5. If you are using NVidia GPU card, then replace GPU 1 card.

80010901-0b02ffff Numeric sensor
[NumericSensorElementName] going high (upper critical) has asserted.

Explanation: This message is for the use case when an implementation has detected an Upper Critical sensor going high has asserted.

Internal Event: No

Severity: Error

Alert Category: Critical - Temperature

Serviceable: Yes

CIM Information: Prefix: PLAT and ID: 0494

SNMP Trap ID: 0

Automatically notify Support: No

User response: If the specified sensor is one of the following sensors, GPU 2 Temp, K10 2 Temp, K20 2 Temp, K20X 2 Temp, Mic 1 MEM Temp, Mic 2 MEM Temp, VGX K1 2 Temp, VGX K2 2 Temp, complete the following steps until the problem is solved:

1. Make sure that the fans are operating, that there are no obstructions to the airflow (front and rear of the server), that the air baffle is in place and correctly installed, and that the server cover is installed and completely closed.
2. Check the ambient temperature. You must be operating within the specifications (see Server Features and specifications for more information).
3. Make sure that the heat sink for GPU installed properly.
4. If you are using Intel GPU card, then replace both GPU cards.
5. If you are using NVidia GPU card, then replace GPU 2 card.

80010901-0b03ffff Numeric sensor
[NumericSensorElementName] going high (upper critical) has asserted.

Explanation: This message is for the use case when an implementation has detected an Upper Critical sensor going high has asserted.

Internal Event: No

Severity: Error

Alert Category: Critical - Temperature

Serviceable: Yes

CIM Information: Prefix: PLAT and ID: 0494

SNMP Trap ID: 0

Automatically notify Support: No

User response: If the specified sensor is Mic 1 VR Temp or Mic 2 VR Temp, complete the following steps until the problem is solved:

1. Make sure that the fans are operating, that there are no obstructions to the airflow (front and rear of the server), that the air baffle is in place and correctly installed, and that the server cover is installed and completely closed.
2. Check the ambient temperature. You must be operating within the specifications (see Server Features and specifications for more information).
3. Make sure that the heat sink for GPUs installed properly.
4. If you are using Intel GPU card, then replace both GPU cards.

80010901-1001ffff Numeric sensor
[NumericSensorElementName] going high (upper critical) has asserted.

Explanation: This message is for the use case when an implementation has detected an Upper Critical sensor going high has asserted.

Internal Event: No

Severity: Error

Alert Category: Critical - Temperature

Serviceable: Yes

CIM Information: Prefix: PLAT and ID: 0494

SNMP Trap ID: 0

Automatically notify Support: No

User response: If the specified sensor is Paddle Card Temp or Riser 1A Temp, complete the following steps until the problem is solved:

1. Make sure that the fans are operating, that there are no obstructions to the airflow (front and rear of the server), that the air baffle is in place and

80010901-1002ffff • 80010901-2701ffff

correctly installed, and that the server cover is installed and completely closed.

2. Check the ambient temperature. You must be operating within the specifications (see Server Features and specifications for more information).
3. Replace paddle card and riser 1 card.

80010901-1002ffff Numeric sensor

**[NumericSensorElementName] going high (upper critical) has asserted.
(Riser 2A Temp)**

Explanation: This message is for the use case when an implementation has detected an Upper Critical sensor going high has asserted.

Internal Event: No

Severity: Error

Alert Category: Critical - Temperature

Serviceable: Yes

CIM Information: Prefix: PLAT and ID: 0494

SNMP Trap ID: 0

Automatically notify Support: No

User response:

1. Make sure that the fans are operating, that there are no obstructions to the airflow (front and rear of the server), that the air baffle is in place and correctly installed, and that the server cover is installed and completely closed.
2. Check the ambient temperature. You must be operating within the specifications (see Server Features and specifications for more information).
3. Replace riser 2 card.

80010901-1003ffff Numeric sensor

**[NumericSensorElementName] going high (upper critical) has asserted.
(Riser 1B Temp)**

Explanation: This message is for the use case when an implementation has detected an Upper Critical sensor going high has asserted.

Internal Event: No

Severity: Error

Alert Category: Critical - Temperature

Serviceable: Yes

CIM Information: Prefix: PLAT and ID: 0494

SNMP Trap ID: 0

Automatically notify Support: No

User response:

1. Make sure that the fans are operating, that there are no obstructions to the airflow (front and rear of

the server), that the air baffle is in place and correctly installed, and that the server cover is installed and completely closed.

2. Check the ambient temperature. You must be operating within the specifications (see Server Features and specifications for more information).
3. Replace riser 1 card.

80010901-1004ffff Numeric sensor

**[NumericSensorElementName] going high (upper critical) has asserted.
(Riser 2B Temp)**

Explanation: This message is for the use case when an implementation has detected an Upper Critical sensor going high has asserted.

Internal Event: No

Severity: Error

Alert Category: Critical - Temperature

Serviceable: Yes

CIM Information: Prefix: PLAT and ID: 0494

SNMP Trap ID: 0

Automatically notify Support: No

User response:

1. Make sure that the fans are operating, that there are no obstructions to the airflow (front and rear of the server), that the air baffle is in place and correctly installed, and that the server cover is installed and completely closed.
2. Check the ambient temperature. You must be operating within the specifications (see Server Features and specifications for more information).
3. Replace riser 2 card.

80010901-2701ffff Numeric sensor

**[NumericSensorElementName] going high (upper critical) has asserted.
(Ambient Temp)**

Explanation: This message is for the use case when an implementation has detected an Upper Critical sensor going high has asserted.

Internal Event: No

Severity: Error

Alert Category: Critical - Temperature

Serviceable: Yes

CIM Information: Prefix: PLAT and ID: 0494

SNMP Trap ID: 0

Automatically notify Support: No

User response:

1. Make sure that the fans are operating, that there are no obstructions to the airflow (front and rear of the server), that the air baffle is in place and correctly installed, and that the server cover is installed and completely closed.
2. Check the ambient temperature. You must be operating within the specifications (see Server Features and specifications for more information).
3. (Trained technician only) Replace system board.

80010901-2c01ffff Numeric sensor
[NumericSensorElementName] going high (upper critical) has asserted. (Mezz Card Temp)

Explanation: This message is for the use case when an implementation has detected an Upper Critical sensor going high has asserted.

Internal Event: No

Severity: Error

Alert Category: Critical - Temperature

Serviceable: Yes

CIM Information: Prefix: PLAT and ID: 0494

SNMP Trap ID: 0

Automatically notify Support: No

User response:

1. Make sure that the fans are operating, that there are no obstructions to the airflow (front and rear of the server), that the air baffle is in place and correctly installed, and that the server cover is installed and completely closed.
2. Check the ambient temperature. You must be operating within the specifications (see Server Features and specifications for more information).
3. Make sure that the heat sink for mezz card installed properly.
4. Replace mezz card.

80010901-2d01ffff Numeric sensor
[NumericSensorElementName] going high (upper critical) has asserted. (PCH Temp)

Explanation: This message is for the use case when an implementation has detected an Upper Critical sensor going high has asserted.

Internal Event: No

Severity: Error

Alert Category: Critical - Temperature

Serviceable: Yes

CIM Information: Prefix: PLAT and ID: 0494

SNMP Trap ID: 0

Automatically notify Support: No

User response:

1. Make sure that the fans are operating, that there are no obstructions to the airflow (front and rear of the server), that the air baffle is in place and correctly installed, and that the server cover is installed and completely closed.
2. Check the ambient temperature. You must be operating within the specifications (see Server Features and specifications for more information).
3. Make sure that the heat sink for PCH chipset installed well.
4. (Trained technician only) Replace PCH chipset.

80010902-0701ffff Numeric sensor
[NumericSensorElementName] going high (upper critical) has asserted.

Explanation: This message is for the use case when an implementation has detected an Upper Critical sensor going high has asserted.

Internal Event: No

Severity: Error

Alert Category: Critical - Voltage

Serviceable: Yes

CIM Information: Prefix: PLAT and ID: 0494

SNMP Trap ID: 1

Automatically notify Support: Yes

User response: If the specified sensor is Planar 3.3V or Planar 5V, (Trained technician only) replace the system board. If the specified sensor is Planar 12V, complete the following steps until the problem is solved:

1. Check power supply n LED.
2. Remove the failing power supply.
3. (Trained technician only) Replace the system board. (n = power supply number)

80010b01-0b01ffff Numeric sensor
[NumericSensorElementName] going high (upper non-recoverable) has asserted. (GPU 1 Temp)

Explanation: This message is for the use case when an implementation has detected an Upper Non-recoverable sensor going high has asserted.

Internal Event: No

Severity: Error

Alert Category: Critical - Temperature

Serviceable: Yes

CIM Information: Prefix: PLAT and ID: 0498

SNMP Trap ID: 0

Automatically notify Support: No

User response:

1. Make sure that the fans are operating, that there are no obstructions to the airflow (front and rear of the server), that the air baffle is in place and correctly installed, and that the server cover is installed and completely closed.
2. Check the ambient temperature. You must be operating within the specifications (see Server Features and specifications for more information).
3. Make sure that the heat sink for microprocessor n.
4. (Trained technician only) Replace system board.

K10 1 Temp : K20 1 Temp : K20X 1 Temp : Mic 1 CPU Temp : Mic 2 CPU Temp : VGX K1 1 Temp : VGX K2 1 Temp :

80010b01-0b02ffff Numeric sensor
[NumericSensorElementName] going high (upper non-recoverable) has asserted. (GPU 2 Temp)

Explanation: This message is for the use case when an implementation has detected an Upper Non-recoverable sensor going high has asserted.

Internal Event: No

Severity: Error

Alert Category: Critical - Temperature

Serviceable: Yes

CIM Information: Prefix: PLAT and ID: 0498

SNMP Trap ID: 0

Automatically notify Support: No

User response:

1. Make sure that the fans are operating, that there are no obstructions to the airflow (front and rear of the server), that the air baffle is in place and correctly installed, and that the server cover is installed and completely closed.
2. Check the ambient temperature. You must be operating within the specifications (see Server Features and specifications for more information).
3. Make sure that the heat sink for microprocessor n.
4. (Trained technician only) Replace system board.

K10 2 Temp : K20 2 Temp : K20X 2 Temp : Mic 1 MEM Temp : Mic 2 MEM Temp : VGX K1 2 Temp : VGX K2 2 Temp :

80010b01-0b03ffff Numeric sensor
[NumericSensorElementName] going high (upper non-recoverable) has asserted. (Mic 1 VR Temp)

Explanation: This message is for the use case when

an implementation has detected an Upper Non-recoverable sensor going high has asserted.

Internal Event: No

Severity: Error

Alert Category: Critical - Temperature

Serviceable: Yes

CIM Information: Prefix: PLAT and ID: 0498

SNMP Trap ID: 0

Automatically notify Support: No

User response:

1. Make sure that the fans are operating, that there are no obstructions to the airflow (front and rear of the server), that the air baffle is in place and correctly installed, and that the server cover is installed and completely closed.
2. Check the ambient temperature. You must be operating within the specifications (see Server Features and specifications for more information).
3. Make sure that the heat sink for microprocessor n.
4. (Trained technician only) Replace system board.

Mic 2 VR Temp :

80010b01-1001ffff Numeric sensor
[NumericSensorElementName] going high (upper non-recoverable) has asserted. (Paddle Card Temp)

Explanation: This message is for the use case when an implementation has detected an Upper Non-recoverable sensor going high has asserted.

Internal Event: No

Severity: Error

Alert Category: Critical - Temperature

Serviceable: Yes

CIM Information: Prefix: PLAT and ID: 0498

SNMP Trap ID: 0

Automatically notify Support: No

User response:

1. Make sure that the fans are operating, that there are no obstructions to the airflow (front and rear of the server), that the air baffle is in place and correctly installed, and that the server cover is installed and completely closed.
2. Check the ambient temperature. You must be operating within the specifications (see Server Features and specifications for more information).
3. Make sure that the heat sink for microprocessor n.
4. (Trained technician only) Replace system board.

Riser 1A Temp :

**80010b01-1002ffff Numeric sensor
[NumericSensorElementName] going
high (upper non-recoverable) has
asserted. (Riser 2A Temp)**

Explanation: This message is for the use case when an implementation has detected an Upper Non-recoverable sensor going high has asserted.

Internal Event: No

Severity: Error

Alert Category: Critical - Temperature

Serviceable: Yes

CIM Information: Prefix: PLAT and ID: 0498

SNMP Trap ID: 0

Automatically notify Support: No

User response:

1. Make sure that the fans are operating, that there are no obstructions to the airflow (front and rear of the server), that the air baffle is in place and correctly installed, and that the server cover is installed and completely closed.
2. Check the ambient temperature. You must be operating within the specifications (see Server Features and specifications for more information).
3. Make sure that the heat sink for microprocessor n.
4. (Trained technician only) Replace system board.

**80010b01-1003ffff Numeric sensor
[NumericSensorElementName] going
high (upper non-recoverable) has
asserted. (Riser 1B Temp)**

Explanation: This message is for the use case when an implementation has detected an Upper Non-recoverable sensor going high has asserted.

Internal Event: No

Severity: Error

Alert Category: Critical - Temperature

Serviceable: Yes

CIM Information: Prefix: PLAT and ID: 0498

SNMP Trap ID: 0

Automatically notify Support: No

User response:

1. Make sure that the fans are operating, that there are no obstructions to the airflow (front and rear of the server), that the air baffle is in place and correctly installed, and that the server cover is installed and completely closed.

2. Check the ambient temperature. You must be operating within the specifications (see Server Features and specifications for more information).
3. Make sure that the heat sink for microprocessor n.
4. (Trained technician only) Replace system board.

**80010b01-1004ffff Numeric sensor
[NumericSensorElementName] going
high (upper non-recoverable) has
asserted. (Riser 2B Temp)**

Explanation: This message is for the use case when an implementation has detected an Upper Non-recoverable sensor going high has asserted.

Internal Event: No

Severity: Error

Alert Category: Critical - Temperature

Serviceable: Yes

CIM Information: Prefix: PLAT and ID: 0498

SNMP Trap ID: 0

Automatically notify Support: No

User response:

1. Make sure that the fans are operating, that there are no obstructions to the airflow (front and rear of the server), that the air baffle is in place and correctly installed, and that the server cover is installed and completely closed.
2. Check the ambient temperature. You must be operating within the specifications (see Server Features and specifications for more information).
3. Make sure that the heat sink for microprocessor n.
4. (Trained technician only) Replace system board.

**80010b01-2701ffff Numeric sensor
[NumericSensorElementName] going
high (upper non-recoverable) has
asserted. (Ambient Temp)**

Explanation: This message is for the use case when an implementation has detected an Upper Non-recoverable sensor going high has asserted.

Internal Event: No

Severity: Error

Alert Category: Critical - Temperature

Serviceable: Yes

CIM Information: Prefix: PLAT and ID: 0498

SNMP Trap ID: 0

Automatically notify Support: No

User response:

80010b01-2c01ffff • 8003010e-2581ffff

1. Make sure that the fans are operating, that there are no obstructions to the airflow (front and rear of the server), that the air baffle is in place and correctly installed, and that the server cover is installed and completely closed.
2. Check the ambient temperature. You must be operating within the specifications (see Server Features and specifications for more information).
3. Make sure that the heat sink for microprocessor n.
4. (Trained technician only) Replace system board.

80010b01-2c01ffff Numeric sensor [NumericSensorElementName] going high (upper non-recoverable) has asserted. (Mezz Card Temp)

Explanation: This message is for the use case when an implementation has detected an Upper Non-recoverable sensor going high has asserted.

Internal Event: No

Severity: Error

Alert Category: Critical - Temperature

Serviceable: Yes

CIM Information: Prefix: PLAT and ID: 0498

SNMP Trap ID: 0

Automatically notify Support: No

User response:

1. Make sure that the fans are operating, that there are no obstructions to the airflow (front and rear of the server), that the air baffle is in place and correctly installed, and that the server cover is installed and completely closed.
2. Check the ambient temperature. You must be operating within the specifications (see Server Features and specifications for more information).
3. Make sure that the heat sink for microprocessor n.
4. (Trained technician only) Replace system board.

80010b01-2d01ffff Numeric sensor [NumericSensorElementName] going high (upper non-recoverable) has asserted. (PCH Temp)

Explanation: This message is for the use case when an implementation has detected an Upper Non-recoverable sensor going high has asserted.

Internal Event: No

Severity: Error

Alert Category: Critical - Temperature

Serviceable: Yes

CIM Information: Prefix: PLAT and ID: 0498

SNMP Trap ID: 0

Automatically notify Support: No

User response:

1. Make sure that the fans are operating, that there are no obstructions to the airflow (front and rear of the server), that the air baffle is in place and correctly installed, and that the server cover is installed and completely closed.
2. Check the ambient temperature. You must be operating within the specifications (see Server Features and specifications for more information).
3. Make sure that the heat sink for microprocessor n.
4. (Trained technician only) Replace system board.

80030006-2101ffff Sensor [SensorElementName] has deasserted. (Sig Verify Fail)

Explanation: This message is for the use case when an implementation has detected a Sensor has deasserted.

Internal Event: No

Severity: Info

Alert Category: System - Other

Serviceable: No

CIM Information: Prefix: PLAT and ID: 0509

SNMP Trap ID:

Automatically notify Support: No

User response: No action; information only.

80030012-2301ffff Sensor [SensorElementName] has deasserted. (OS RealTime Mod)

Explanation: This message is for the use case when an implementation has detected a Sensor has deasserted.

Internal Event: No

Severity: Info

Alert Category: System - Other

Serviceable: No

CIM Information: Prefix: PLAT and ID: 0509

SNMP Trap ID:

Automatically notify Support: No

User response: No action; information only.

8003010e-2581ffff Sensor [SensorElementName] has asserted. (Memory Resized)

Explanation: This message is for the use case when an implementation has detected a Sensor has asserted.

Internal Event: No

Severity: Info

Alert Category: System - Other

Serviceable: No

CIM Information: Prefix: PLAT and ID: 0508

SNMP Trap ID:

Automatically notify Support: No

User response:

1. Replace the power supply with higher rated power.
2. Reduce the total power consumption by removing newly added or unused option like drives or adapters.

**8007010f-2201ffff Sensor [SensorElementName]
has transitioned from normal to
non-critical state. (GPT Status)**

Explanation: This message is for the use case when an implementation has detected a Sensor transitioned to non-critical from normal.

Internal Event: No

Severity: Warning

Alert Category: Warning - Other

Serviceable: Yes

CIM Information: Prefix: PLAT and ID: 0520

SNMP Trap ID: 60

Automatically notify Support: No

User response:

1. Check the IBM support site for service bulletins or firmware updates that apply to this GPT error.
2. Set the UEFI setting DISK GPT Recovery to Automatic.
3. Replace the corrupt disk.

**8007010f-2582ffff Sensor [SensorElementName]
has transitioned from normal to
non-critical state. (I/O Resources)**

Explanation: This message is for the use case when an implementation has detected a Sensor transitioned to non-critical from normal.

Internal Event: No

Severity: Warning

Alert Category: Warning - Other

Serviceable: Yes

CIM Information: Prefix: PLAT and ID: 0520

SNMP Trap ID: 60

Automatically notify Support: No

User response: Complete the following step to solve PCI I/O resource errors:

1. Go to F1 Setup
2. System Settings
3. Device and I/O ports
4. PCI 64 bit Resource and choose enable.

**80070114-2201ffff Sensor [SensorElementName]
has transitioned from normal to
non-critical state. (TPM Phy Pres Set)**

Explanation: This message is for the use case when an implementation has detected a Sensor transitioned to non-critical from normal.

Internal Event: No

Severity: Warning

Alert Category: Warning - Other

Serviceable: Yes

CIM Information: Prefix: PLAT and ID: 0520

SNMP Trap ID: 60

Automatically notify Support: No

User response:

1. Complete the administrative tasks that require the TPM physical presence switch to be in the ON position.
2. Restore the physical presence switch to the OFF position.
3. Reboot the system.
4. (Trained technician only) If the error continues, replace the planar.

**80070201-0301ffff Sensor [SensorElementName]
has transitioned to critical from a less
severe state. (CPU 1 OverTemp)**

Explanation: This message is for the use case when an implementation has detected a Sensor transitioned to critical from less severe.

Internal Event: No

Severity: Error

Alert Category: Critical - Temperature

Serviceable: Yes

CIM Information: Prefix: PLAT and ID: 0522

SNMP Trap ID: 0

Automatically notify Support: No

User response:

1. Make sure that the fans are operating, that there are no obstructions to the airflow (front and rear of the server), that the air baffles are in place and

correctly installed, and that the server cover is installed and completely closed.

2. Check the ambient temperature. You must be operating within the specifications (see Features and specifications for more information).
3. Make sure that the heat sink for microprocessor n is installed correctly.
4. (Trained technician only) Replace microprocessor n. (n = microprocessor number)

80070201-0302ffff Sensor [SensorElementName] has transitioned to critical from a less severe state. (CPU 2 OverTemp)

Explanation: This message is for the use case when an implementation has detected a Sensor transitioned to critical from less severe.

Internal Event: No

Severity: Error

Alert Category: Critical - Temperature

Serviceable: Yes

CIM Information: Prefix: PLAT and ID: 0522

SNMP Trap ID: 0

Automatically notify Support: No

User response:

1. Make sure that the fans are operating, that there are no obstructions to the airflow (front and rear of the server), that the air baffles are in place and correctly installed, and that the server cover is installed and completely closed.
2. Check the ambient temperature. You must be operating within the specifications (see Features and specifications for more information).
3. Make sure that the heat sink for microprocessor n is installed correctly.
4. (Trained technician only) Replace microprocessor n. (n = microprocessor number)

80070202-0701ffff Sensor [SensorElementName] has transitioned to critical from a less severe state. (SysBrd Vol Fault)

Explanation: This message is for the use case when an implementation has detected a Sensor transitioned to critical from less severe.

Internal Event: No

Severity: Error

Alert Category: Critical - Voltage

Serviceable: Yes

CIM Information: Prefix: PLAT and ID: 0522

SNMP Trap ID: 1

Automatically notify Support: No

User response:

1. Check the system-event log.
2. Check for an error LED on the system board.
3. Replace any failing device.
4. Check for a server firmware update. Important: Some cluster solutions require specific code levels or coordinated code updates. If the device is part of a cluster solution, verify that the latest level of code is supported for the cluster solution before you update the code.
5. (Trained technician only) Replace the system board.

80070204-0a01ffff Sensor [SensorElementName] has transitioned to critical from a less severe state. (PS 1 Fan Fault)

Explanation: This message is for the use case when an implementation has detected a Sensor transitioned to critical from less severe.

Internal Event: No

Severity: Error

Alert Category: Critical - Fan Failure

Serviceable: Yes

CIM Information: Prefix: PLAT and ID: 0522

SNMP Trap ID: 11

Automatically notify Support: No

User response:

1. Make sure that there are no obstructions, such as bundled cables, to the airflow from the power-supply fan.
2. Replace power supply n. (n = power supply number)

80070204-0a02ffff Sensor [SensorElementName] has transitioned to critical from a less severe state. (PS 2 Fan Fault)

Explanation: This message is for the use case when an implementation has detected a Sensor transitioned to critical from less severe.

Internal Event: No

Severity: Error

Alert Category: Critical - Fan Failure

Serviceable: Yes

CIM Information: Prefix: PLAT and ID: 0522

SNMP Trap ID: 11

Automatically notify Support: No

User response:

1. Make sure that there are no obstructions, such as bundled cables, to the airflow from the power-supply fan.
2. Replace power supply n. (n = power supply number)

**80070208-0a01ffff Sensor [SensorElementName]
has transitioned to critical from a less
severe state. (PS 1 Therm Fault)**

Explanation: This message is for the use case when an implementation has detected a Sensor transitioned to critical from less severe.

Internal Event: No

Severity: Error

Alert Category: Critical - Power

Serviceable: Yes

CIM Information: Prefix: PLAT and ID: 0522

SNMP Trap ID: 4

Automatically notify Support: No

User response:

1. Make sure that there are no obstructions, such as bundled cables, to the airflow from the power-supply fan.
2. Use the IBM Power Configurator utility to ensure current system power consumption is under limitation. For more information and to download the utility, go to <http://www-03.ibm.com/systems/bladecenter/resources/powerconfig.html>.
3. Replace power supply n. (n = power supply number)

**80070208-0a02ffff Sensor [SensorElementName]
has transitioned to critical from a less
severe state. (PS 2 Therm Fault)**

Explanation: This message is for the use case when an implementation has detected a Sensor transitioned to critical from less severe.

Internal Event: No

Severity: Error

Alert Category: Critical - Power

Serviceable: Yes

CIM Information: Prefix: PLAT and ID: 0522

SNMP Trap ID: 4

Automatically notify Support: No

User response:

1. Make sure that there are no obstructions, such as bundled cables, to the airflow from the power-supply fan.

2. Use the IBM Power Configurator utility to ensure current system power consumption is under limitation. For more information and to download the utility, go to <http://www-03.ibm.com/systems/bladecenter/resources/powerconfig.html>.
3. Replace power supply n. (n = power supply number)

**8007020f-2201ffff Sensor [SensorElementName]
has transitioned to critical from a less
severe state. (TXT ACM Module)**

Explanation: This message is for the use case when an implementation has detected a Sensor transitioned to critical from less severe.

Internal Event: No

Severity: Error

Alert Category: Critical - Other

Serviceable: Yes

CIM Information: Prefix: PLAT and ID: 0522

SNMP Trap ID: 50

Automatically notify Support: No

User response:

1. If enabling TXT is not required, disable TXT from the Setup Utility.
2. If enabling TXT is required, verify that the TPM is enabled and activated from the Setup Utility.
3. If the problem remains, contact your service representative.

**8007020f-2582ffff Sensor [SensorElementName]
has transitioned to critical from a less
severe state. (I/O Resources)**

Explanation: This message is for the use case when an implementation has detected a Sensor transitioned to critical from less severe.

Internal Event: No

Severity: Error

Alert Category: Critical - Other

Serviceable: Yes

CIM Information: Prefix: PLAT and ID: 0522

SNMP Trap ID: 50

Automatically notify Support: No

User response: Complete the following step to solve PCI I/O resource errors:

1. Go to F1 Setup
2. System Settings
3. Device and I/O ports
4. PCI 64 bit Resource and choose enable.

**80070214-2201ffff Sensor [SensorElementName]
has transitioned to critical from a less
severe state. (TPM Lock)**

Explanation: This message is for the use case when an implementation has detected a Sensor transitioned to critical from less severe.

Internal Event: No

Severity: Error

Alert Category: Critical - Other

Serviceable: No

CIM Information: Prefix: PLAT and ID: 0522

SNMP Trap ID:

Automatically notify Support: No

User response:

1. Update the server firmware (see Recovering the server firmware).
2. If the problem persists, (trained technician only) replace the system board (see Removing the system board and Installing the system board).

**80070219-0701ffff Sensor [SensorElementName]
has transitioned to critical from a less
severe state. (SysBrd Fault)**

Explanation: This message is for the use case when an implementation has detected a Sensor transitioned to critical from less severe.

Internal Event: No

Severity: Error

Alert Category: Critical - Other

Serviceable: Yes

CIM Information: Prefix: PLAT and ID: 0522

SNMP Trap ID: 50

Automatically notify Support: No

User response:

1. Check for an error LED on the system board.
2. Check the system-event log.
3. Check for the system firmware version and update to the latest version. Important: Some cluster solutions require specific code levels or coordinated code updates. If the device is part of a cluster solution, verify that the latest level of code is supported for the cluster solution before you update the code.
4. Unplug and restore AC power cord, then, perform step 1 and 2 again.
5. If problems still occurred, (trained technician only) replace the system board.

**8007021b-0301ffff Sensor [SensorElementName]
has transitioned to critical from a less
severe state. (CPU 1 QPILinkErr)**

Explanation: This message is for the use case when an implementation has detected a Sensor transitioned to critical from less severe.

Internal Event: No

Severity: Error

Alert Category: Critical - Other

Serviceable: Yes

CIM Information: Prefix: PLAT and ID: 0522

SNMP Trap ID: 50

Automatically notify Support: No

User response:

1. Check for a server firmware update.
2. Make sure that the installed microprocessors are compatible.
3. Make sure the microprocessor 2 expansion board is installed correctly (see Installing the microprocessor 2 expansion board).
4. (Trained technician only) Replace microprocessor
5. (Trained technician only) Replace microprocessor 2 expansion board.

**8007021b-0302ffff Sensor [SensorElementName]
has transitioned to critical from a less
severe state. (CPU 2 QPILinkErr)**

Explanation: This message is for the use case when an implementation has detected a Sensor transitioned to critical from less severe.

Internal Event: No

Severity: Error

Alert Category: Critical - Other

Serviceable: Yes

CIM Information: Prefix: PLAT and ID: 0522

SNMP Trap ID: 50

Automatically notify Support: No

User response:

1. Check for a server firmware update.
2. Make sure that the installed microprocessors are compatible.
3. Make sure the microprocessor 2 expansion board is installed correctly (see Installing the microprocessor 2 expansion board).
4. (Trained technician only) Replace microprocessor
5. (Trained technician only) Replace microprocessor 2 expansion board.

**80070301-0301ffff Sensor [SensorElementName]
has transitioned to non-recoverable
from a less severe state. (CPU 1
OverTemp)**

Explanation: This message is for the use case when an implementation has detected a Sensor transitioned to non-recoverable from less severe.

Internal Event: No

Severity: Error

Alert Category: Critical - Temperature

Serviceable: Yes

CIM Information: Prefix: PLAT and ID: 0524

SNMP Trap ID: 0

Automatically notify Support: No

User response:

1. Make sure that the fans are operating, that there are no obstructions to the airflow (front and rear of the server), that the air baffle is in place and correctly installed, and that the server cover is installed and completely closed.
2. Check the ambient temperature. You must be operating within the specifications (see Server Features and specifications for more information).
3. Make sure that the heat sink for microprocessor n.
4. (Trained technician only) Replace microprocessor n. (n = microprocessor number)

**80070301-0302ffff Sensor [SensorElementName]
has transitioned to non-recoverable
from a less severe state. (CPU 2
OverTemp)**

Explanation: This message is for the use case when an implementation has detected a Sensor transitioned to non-recoverable from less severe.

Internal Event: No

Severity: Error

Alert Category: Critical - Temperature

Serviceable: Yes

CIM Information: Prefix: PLAT and ID: 0524

SNMP Trap ID: 0

Automatically notify Support: No

User response:

1. Make sure that the fans are operating, that there are no obstructions to the airflow (front and rear of the server), that the air baffle is in place and correctly installed, and that the server cover is installed and completely closed.

2. Check the ambient temperature. You must be operating within the specifications (see Server Features and specifications for more information).
3. Make sure that the heat sink for microprocessor n.
4. (Trained technician only) Replace microprocessor n. (n = microprocessor number)

**80070608-0a01ffff Sensor [SensorElementName]
has transitioned to non-recoverable.**

Explanation: This message is for the use case when an implementation has detected a Sensor transitioned to non-recoverable.

Internal Event: No

Severity: Error

Alert Category: Critical - Power

Serviceable: Yes

CIM Information: Prefix: PLAT and ID: 0530

SNMP Trap ID: 4

Automatically notify Support: No

User response: If the specified sensor is PS n 12V OC Fault, complete the following steps until the problem is solved:

1. Use the IBM Power Configurator utility to determine current system power consumption. For more information and to download the utility, go to <http://www-03.ibm.com/systems/bladecenter/resources/powerconfig.html>.
2. Follow actions in "Power Problems and Solving Power Problems".

If the specified sensor is PS n 12V OV Fault, complete the following steps until the problem is solved:

1. Check power supply n LED.
2. Remove the failing power supply.
3. (Trained technician only) Replace the system board. (n = power supply number)

If the specified sensor is PS n 12V UV Fault, complete the following steps until the problem is solved:

1. Check power supply n LED.
2. Remove the failing power supply.
3. Follow actions in "Power Problems and Solving Power Problems".
4. (Trained technician only) Replace the system board. (n = power supply number)

If the specified sensor is PS n 12Vaux Fault, complete the following steps until the problem is solved:

1. Check power supply n LED.
2. Replace power supply n. (n = power supply number)

**80070608-0a02ffff Sensor [SensorElementName]
has transitioned to non-recoverable.**

Explanation: This message is for the use case when an implementation has detected a Sensor transitioned to non-recoverable.

Internal Event: No

Severity: Error

Alert Category: Critical - Power

Serviceable: Yes

CIM Information: Prefix: PLAT and ID: 0530

SNMP Trap ID: 4

Automatically notify Support: No

User response: If the specified sensor is PS n 12V OC Fault, complete the following steps until the problem is solved:

1. Use the IBM Power Configurator utility to determine current system power consumption. For more information and to download the utility, go to <http://www-03.ibm.com/systems/bladecenter/resources/powerconfig.html>.
2. Follow actions in "Power Problems and Solving Power Problems".

If the specified sensor is PS n 12V OV Fault, complete the following steps until the problem is solved:

1. Check power supply n LED.
2. Remove the failing power supply.
3. (Trained technician only) Replace the system board. (n = power supply number)

If the specified sensor is PS n 12V UV Fault, complete the following steps until the problem is solved:

1. Check power supply n LED.
2. Remove the failing power supply.
3. Follow actions in "Power Problems and Solving Power Problems".
4. (Trained technician only) Replace the system board. (n = power supply number)

If the specified sensor is PS n 12Vaux Fault, complete the following steps until the problem is solved:

1. Check power supply n LED.
2. Replace power supply n. (n = power supply number)

**80070614-2201ffff Sensor [SensorElementName]
has transitioned to non-recoverable.
(TPM Phy Pres Set)**

Explanation: This message is for the use case when an implementation has detected a Sensor transitioned to non-recoverable.

Internal Event: No

Severity: Error

Alert Category: Critical - Other

Serviceable: Yes

CIM Information: Prefix: PLAT and ID: 0530

SNMP Trap ID: 50

Automatically notify Support: No

User response:

1. Update the server firmware (see Recovering the server firmware).
2. If the problem persists, (trained technician only) replace the system board (see Removing the system board and Installing the system board).

**8008010f-2101ffff Device
[LogicalDeviceElementName] has been
added. (Phy Presence Jmp)**

Explanation: This message is for the use case when an implementation has detected a Device was inserted.

Internal Event: No

Severity: Info

Alert Category: System - Other

Serviceable: No

CIM Information: Prefix: PLAT and ID: 0536

SNMP Trap ID:

Automatically notify Support: No

User response: No action; information only.

**80080128-2101ffff Device
[LogicalDeviceElementName] has been
added. (Low Security Jmp)**

Explanation: This message is for the use case when an implementation has detected a Device was inserted.

Internal Event: No

Severity: Info

Alert Category: System - Other

Serviceable: No

CIM Information: Prefix: PLAT and ID: 0536

SNMP Trap ID:

Automatically notify Support: No

User response: No action; information only.

**800b0008-1301ffff Redundancy
[RedundancySetElementName] has
been restored. (Power Unit)**

Explanation: This message is for the use case when an implementation has detected Redundancy was Restored.

Internal Event: No

Severity: Info

Alert Category: Warning - Redundant Power Supply

Serviceable: No

CIM Information: Prefix: PLAT and ID: 0561

SNMP Trap ID: 10

Automatically notify Support: No

User response: No action; information only.

**800b0108-1301ffff Redundancy Lost for
[RedundancySetElementName] has
asserted. (Power Unit)**

Explanation: This message is for the use case when Redundancy Lost has asserted.

Internal Event: No

Severity: Error

Alert Category: Critical - Redundant Power Supply

Serviceable: Yes

CIM Information: Prefix: PLAT and ID: 0802

SNMP Trap ID: 9

Automatically notify Support: No

User response:

1. Check the LEDs for both power supplies.
2. Follow the actions in Power-supply LEDs.

**800b010a-1e81ffff Redundancy Lost for
[RedundancySetElementName] has
asserted. (Cooling Zone)**

Explanation: This message is for the use case when Redundancy Lost has asserted.

Internal Event: No

Severity: Error

Alert Category: Critical - Fan Failure

Serviceable: Yes

CIM Information: Prefix: PLAT and ID: 0802

SNMP Trap ID: 11

Automatically notify Support: No

User response:

1. Make sure that the connectors on fan n are not damaged.
2. Make sure that the fan n connectors on the system board are not damaged.
3. Make sure that the fans are correctly installed.
4. Reseat the fans.
5. Replace the fans. (n = fan number)

**800b010c-2581ffff Redundancy Lost for
[RedundancySetElementName] has
asserted. (Backup Memory)**

Explanation: This message is for the use case when Redundancy Lost has asserted.

Internal Event: No

Severity: Error

Alert Category: Critical - Memory

Serviceable: Yes

CIM Information: Prefix: PLAT and ID: 0802

SNMP Trap ID: 41

Automatically notify Support: No

User response:

1. Check the system-event log for DIMM failure events (uncorrectable or PFA) and correct the failures.
2. Re-enable mirroring in the Setup utility.

**800b030c-2581ffff Non-redundant:Sufficient
Resources from Redundancy Degraded
or Fully Redundant for
[RedundancySetElementName] has
asserted. (Backup Memory)**

Explanation: This message is for the use case when a Redundancy Set has transitioned from Redundancy Degraded or Fully Redundant to Non-redundant:Sufficient.

Internal Event: No

Severity: Warning

Alert Category: Warning - Memory

Serviceable: Yes

CIM Information: Prefix: PLAT and ID: 0806

SNMP Trap ID: 43

Automatically notify Support: No

User response:

1. Check the system-event log for DIMM failure events (uncorrectable or PFA) and correct the failures.
2. Re-enable mirroring in the Setup utility.

800b050a-1e81ffff Non-redundant:Insufficient Resources for [RedundancySetElementName] has asserted. (Cooling Zone)

Explanation: This message is for the use case when a Redundancy Set has transitioned to Non-redundant:Insufficient Resources.

Internal Event: No

Severity: Error

Alert Category: Critical - Fan Failure

Serviceable: Yes

CIM Information: Prefix: PLAT and ID: 0810

SNMP Trap ID: 11

Automatically notify Support: No

User response:

1. Make sure that the connectors on fan n are not damaged.
2. Make sure that the fan n connectors on the system board are not damaged.
3. Make sure that the fans are correctly installed.
4. Reseat the fans.
5. Replace the fans. (n = fan number)

800b050c-2581ffff Non-redundant:Insufficient Resources for [RedundancySetElementName] has asserted. (Backup Memory)

Explanation: This message is for the use case when a Redundancy Set has transitioned to Non-redundant:Insufficient Resources.

Internal Event: No

Severity: Error

Alert Category: Critical - Memory

Serviceable: Yes

CIM Information: Prefix: PLAT and ID: 0810

SNMP Trap ID: 41

Automatically notify Support: No

User response:

1. Check the system-event log for DIMM failure events (uncorrectable or PFA) and correct the failures.
2. Re-enable mirroring in the Setup utility.

806f0007-0301ffff [ProcessorElementName] has Failed with IERR. (CPU 1)

Explanation: This message is for the use case when an implementation has detected a Processor Failed - IERR Condition.

Internal Event: No

Severity: Error

Alert Category: Critical - CPU

Serviceable: Yes

CIM Information: Prefix: PLAT and ID: 0042

SNMP Trap ID: 40

Automatically notify Support: No

User response:

1. Update the latest level of system firmware and device drivers are installed for all adapters and standard devices, such as UEFI, IMM Ethernet, and SAS. Important: Some cluster solutions require specific code levels or coordinated code updates. If the device is part of a cluster solution, verify that the latest level of code is supported for the cluster solution before you update the code.
2. Run the DSA program.
3. Reseat the adapter.
4. Replace the adapter.
5. (Trained technician only) Replace microprocessor n. (n = microprocessor number)
6. (Trained technician only) Replace the system board.

806f0007-0302ffff [ProcessorElementName] has Failed with IERR. (CPU 2)

Explanation: This message is for the use case when an implementation has detected a Processor Failed - IERR Condition.

Internal Event: No

Severity: Error

Alert Category: Critical - CPU

Serviceable: Yes

CIM Information: Prefix: PLAT and ID: 0042

SNMP Trap ID: 40

Automatically notify Support: No

User response:

1. Update the latest level of system firmware and device drivers are installed for all adapters and standard devices, such as UEFI, IMM Ethernet, and SAS. Important: Some cluster solutions require specific code levels or coordinated code updates. If the device is part of a cluster solution, verify that the latest level of code is supported for the cluster solution before you update the code.
2. Run the DSA program.
3. Reseat the adapter.
4. Replace the adapter.

5. (Trained technician only) Replace microprocessor n. (n = microprocessor number)
6. (Trained technician only) Replace the system board.

806f0008-0a01ffff [PowerSupplyElementName] has been added to container [PhysicalPackageElementName]. (Power Supply 1)

Explanation: This message is for the use case when an implementation has detected a Power Supply has been added.

Internal Event: No

Severity: Info

Alert Category: System - Other

Serviceable: No

CIM Information: Prefix: PLAT and ID: 0084

SNMP Trap ID:

Automatically notify Support: No

User response: No action; information only.

806f0008-0a02ffff [PowerSupplyElementName] has been added to container [PhysicalPackageElementName]. (Power Supply 2)

Explanation: This message is for the use case when an implementation has detected a Power Supply has been added.

Internal Event: No

Severity: Info

Alert Category: System - Other

Serviceable: No

CIM Information: Prefix: PLAT and ID: 0084

SNMP Trap ID:

Automatically notify Support: No

User response: No action; information only.

806f0009-1301ffff [PowerSupplyElementName] has been turned off. (Host Power)

Explanation: This message is for the use case when an implementation has detected a Power Unit that has been Disabled.

Internal Event: No

Severity: Info

Alert Category: System - Power Off

Serviceable: No

CIM Information: Prefix: PLAT and ID: 0106

SNMP Trap ID: 23

Automatically notify Support: No

User response: No action; information only.

806f000f-220101ff The System [ComputerSystemElementName] has detected no memory in the system. (ABR Status)

Explanation: This message is for the use case when an implementation has detected that memory was detected in the system.

Internal Event: No

Severity: Error

Alert Category: Critical - Memory

Serviceable: Yes

CIM Information: Prefix: PLAT and ID: 0794

SNMP Trap ID: 41

Automatically notify Support: No

User response: This is a UEFI detected event. The UEFI(POST) error code for this event can be found in the logged IMM message text. Please refer to the UEFI(POST) error code in the "UEFI(POST) error code" section of the Information Center for the appropriate user response. Firmware Error : Sys Boot Status :

806f000f-220102ff Subsystem [MemoryElementName] has insufficient memory for operation. (ABR Status)

Explanation: This message is for the use case when an implementation has detected that the usable Memory is insufficient for operation.

Internal Event: No

Severity: Error

Alert Category: Critical - Memory

Serviceable: Yes

CIM Information: Prefix: PLAT and ID: 0132

SNMP Trap ID: 41

Automatically notify Support: No

User response: This is a UEFI detected event. The UEFI(POST) error code for this event can be found in the logged IMM message text. Please refer to the UEFI(POST) error code in the "UEFI(POST) error code" section of the Information Center for the appropriate user response. Firmware Error : Sys Boot Status :

806f000f-220103ff The System
[ComputerSystemElementName]
encountered firmware error -
unrecoverable boot device failure.
(ABR Status)

Explanation: This message is for the use case when an implementation has detected that System Firmware Error Unrecoverable boot device failure has occurred.

Internal Event: No

Severity: Error

Alert Category: Critical - Hard Disk drive

Serviceable: Yes

CIM Information: Prefix: PLAT and ID: 0770

SNMP Trap ID: 5

Automatically notify Support: No

User response: This is a UEFI detected event. The UEFI(POST) error code for this event can be found in the logged IMM message text. Please refer to the UEFI(POST) error code in the "UEFI(POST) error code" section of the Information Center for the appropriate user response. Firmware Error : Sys Boot Status :

806f000f-220104ff The System
[ComputerSystemElementName]has
encountered a motherboard failure.
(ABR Status)

Explanation: This message is for the use case when an implementation has detected that a fatal motherboard failure in the system.

Internal Event: No

Severity: Error

Alert Category: Critical - Other

Serviceable: Yes

CIM Information: Prefix: PLAT and ID: 0795

SNMP Trap ID: 50

Automatically notify Support: No

User response: This is a UEFI detected event. The UEFI(POST) error code for this event can be found in the logged IMM message text. Please refer to the UEFI(POST) error code in the "UEFI(POST) error code" section of the Information Center for the appropriate user response. Firmware Error : Sys Boot Status :

806f000f-220107ff The System
[ComputerSystemElementName]
encountered firmware error -
unrecoverable keyboard failure. (ABR
Status)

Explanation: This message is for the use case when

an implementation has detected that System Firmware Error Unrecoverable Keyboard failure has occurred.

Internal Event: No

Severity: Error

Alert Category: Critical - Other

Serviceable: Yes

CIM Information: Prefix: PLAT and ID: 0764

SNMP Trap ID: 50

Automatically notify Support: No

User response: This is a UEFI detected event. The UEFI(POST) error code for this event can be found in the logged IMM message text. Please refer to the UEFI(POST) error code in the "UEFI(POST) error code" section of the Information Center for the appropriate user response. Firmware Error : Sys Boot Status :

806f000f-22010aff The System
[ComputerSystemElementName]
encountered firmware error - no video
device detected. (ABR Status)

Explanation: This message is for the use case when an implementation has detected that System Firmware Error No video device detected has occurred.

Internal Event: No

Severity: Error

Alert Category: Critical - Other

Serviceable: Yes

CIM Information: Prefix: PLAT and ID: 0766

SNMP Trap ID: 50

Automatically notify Support: No

User response: This is a UEFI detected event. The UEFI(POST) error code for this event can be found in the logged IMM message text. Please refer to the UEFI(POST) error code in the "UEFI(POST) error code" section of the Information Center for the appropriate user response. Firmware Error : Sys Boot Status :

806f000f-22010bff Firmware BIOS (ROM)
corruption was detected on system
[ComputerSystemElementName] during
POST. (ABR Status)

Explanation: Firmware BIOS (ROM) corruption was detected on the system during POST.

Internal Event: No

Severity: Info

Alert Category: Critical - Other

Serviceable: Yes

CIM Information: Prefix: PLAT and ID: 0850

SNMP Trap ID: 40

Automatically notify Support: No

User response:

1. Make sure the server meets the minimum configuration to start (see Power-supply LEDs).
2. Recover the server firmware from the backup page:
 - a. Restart the server.
 - b. At the prompt, press F3 to recover the firmware.
3. Update the server firmware to the latest level (see Updating the firmware). Important: Some cluster solutions require specific code levels or coordinated code updates. If the device is part of a cluster solution, verify that the latest level of code is supported for the cluster solution before you update the code.
4. Remove components one at a time, restarting the server each time, to see if the problem goes away.
5. If the problem remains, (trained service technician) replace the system board.

Firmware Error : Sys Boot Status :

806f000f-22010cff CPU voltage mismatch detected on [ProcessorElementName]. (ABR Status)

Explanation: This message is for the use case when an implementation has detected a CPU voltage mismatch with the socket voltage.

Internal Event: No

Severity: Error

Alert Category: Critical - CPU

Serviceable: Yes

CIM Information: Prefix: PLAT and ID: 0050

SNMP Trap ID: 40

Automatically notify Support: No

User response: This is a UEFI detected event. The UEFI(POST) error code for this event can be found in the logged IMM message text. Please refer to the UEFI(POST) error code in the "UEFI(POST) error code" section of the Information Center for the appropriate user response. Firmware Error : Sys Boot Status :

806f000f-2201ffff The System [ComputerSystemElementName] encountered a POST Error. (ABR Status)

Explanation: This message is for the use case when an implementation has detected a Post Error.

Internal Event: No

Severity: Error

Alert Category: Critical - Other

Serviceable: Yes

CIM Information: Prefix: PLAT and ID: 0184

SNMP Trap ID: 50

Automatically notify Support: No

User response: This is a UEFI detected event. The UEFI(POST) error code for this event can be found in the logged IMM message text. Please refer to the UEFI(POST) error code in the "UEFI(POST) error code" section of the Information Center for the appropriate user response. Firmware Error : Sys Boot Status :

806f0013-1701ffff A diagnostic interrupt has occurred on system [ComputerSystemElementName]. (NMI State)

Explanation: This message is for the use case when an implementation has detected a Front Panel NMI / Diagnostic Interrupt.

Internal Event: No

Severity: Error

Alert Category: Critical - Other

Serviceable: Yes

CIM Information: Prefix: PLAT and ID: 0222

SNMP Trap ID: 50

Automatically notify Support: No

User response: If the NMI button has not been pressed, complete the following steps:

1. Make sure that the NMI button is not pressed.
2. Replace the operator information panel cable.
3. Replace the operator information panel.

806f001e-2201ffff No bootable media available for system [ComputerSystemElementName]. (No Boot Device)

Explanation: This message is for the use case when an implementation has detected a System with No Bootable Media.

Internal Event: No

Severity: Info

Alert Category: System - Other

Serviceable: No

CIM Information: Prefix: PLAT and ID: 0286

SNMP Trap ID:

Automatically notify Support: No

User response: No action; information only.

806f0021-2201ffff Fault in slot
[PhysicalConnectorSystemElementName]
on system
[ComputerSystemElementName]. (No
Op ROM Space)

Explanation: This message is for the use case when an implementation has detected a Fault in a slot.

Internal Event: No

Severity: Error

Alert Category: Critical - Other

Serviceable: Yes

CIM Information: Prefix: PLAT and ID: 0330

SNMP Trap ID: 50

Automatically notify Support: Yes

User response:

1. Check the PCI LED.
2. Reseat the affected adapters and riser card.
3. Update the server firmware (UEFI and IMM) and adapter firmware. Important: Some cluster solutions require specific code levels or coordinated code updates. If the device is part of a cluster solution, verify that the latest level of code is supported for the cluster solution before you update the code.
4. Replace the affected adapters.
5. Replace the riser card.
6. (Trained service technicians only) Replace the system board.

806f0021-2582ffff Fault in slot
[PhysicalConnectorSystemElementName]
on system
[ComputerSystemElementName]. (All
PCI Error)

Explanation: This message is for the use case when an implementation has detected a Fault in a slot.

Internal Event: No

Severity: Error

Alert Category: Critical - Other

Serviceable: Yes

CIM Information: Prefix: PLAT and ID: 0330

SNMP Trap ID: 50

Automatically notify Support: Yes

User response:

1. Check the PCI LED.
2. Reseat the affected adapters and riser card.

3. Update the server firmware (UEFI and IMM) and adapter firmware. Important: Some cluster solutions require specific code levels or coordinated code updates. If the device is part of a cluster solution, verify that the latest level of code is supported for the cluster solution before you update the code.
4. Replace the affected adapters.
5. Replace the riser card.
6. (Trained service technicians only) Replace the system board.

One of PCI Error :

806f0021-3001ffff Fault in slot
[PhysicalConnectorSystemElementName]
on system
[ComputerSystemElementName]. (Mezz
Error)

Explanation: This message is for the use case when an implementation has detected a Fault in a slot.

Internal Event: No

Severity: Error

Alert Category: Critical - Other

Serviceable: Yes

CIM Information: Prefix: PLAT and ID: 0330

SNMP Trap ID: 50

Automatically notify Support: Yes

User response:

1. Check the PCI LED.
2. Reseat the affected adapters and riser card.
3. Update the server firmware (UEFI and IMM) and adapter firmware. Important: Some cluster solutions require specific code levels or coordinated code updates. If the device is part of a cluster solution, verify that the latest level of code is supported for the cluster solution before you update the code.
4. Replace the affected adapters.
5. Replace the riser card.
6. (Trained service technicians only) Replace the system board.

PCI 1 :

806f0021-3002ffff Fault in slot
[PhysicalConnectorSystemElementName]
on system
[ComputerSystemElementName]. (PCI
2)

Explanation: This message is for the use case when an implementation has detected a Fault in a slot.

Internal Event: No

Severity: Error**Alert Category:** Critical - Other**Serviceable:** Yes**CIM Information:** Prefix: PLAT and ID: 0330**SNMP Trap ID:** 50**Automatically notify Support:** Yes**User response:**

1. Check the PCI LED.
2. Reseat the affected adapters and riser card.
3. Update the server firmware (UEFI and IMM) and adapter firmware. Important: Some cluster solutions require specific code levels or coordinated code updates. If the device is part of a cluster solution, verify that the latest level of code is supported for the cluster solution before you update the code.
4. Replace the affected adapters.
5. Replace the riser card.
6. (Trained service technicians only) Replace the system board.

806f0021-3003ffff Fault in slot
[PhysicalConnectorSystemElementName]
on system
[ComputerSystemElementName]. (PCI
3)

Explanation: This message is for the use case when an implementation has detected a Fault in a slot.**Internal Event:** No**Severity:** Error**Alert Category:** Critical - Other**Serviceable:** Yes**CIM Information:** Prefix: PLAT and ID: 0330**SNMP Trap ID:** 50**Automatically notify Support:** Yes**User response:**

1. Check the PCI LED.
2. Reseat the affected adapters and riser card.
3. Update the server firmware (UEFI and IMM) and adapter firmware. Important: Some cluster solutions require specific code levels or coordinated code updates. If the device is part of a cluster solution, verify that the latest level of code is supported for the cluster solution before you update the code.
4. Replace the affected adapters.
5. Replace the riser card.
6. (Trained service technicians only) Replace the system board.

806f0021-3004ffff Fault in slot
[PhysicalConnectorSystemElementName]
on system
[ComputerSystemElementName]. (PCI
4)

Explanation: This message is for the use case when an implementation has detected a Fault in a slot.**Internal Event:** No**Severity:** Error**Alert Category:** Critical - Other**Serviceable:** Yes**CIM Information:** Prefix: PLAT and ID: 0330**SNMP Trap ID:** 50**Automatically notify Support:** Yes**User response:**

1. Check the PCI LED.
2. Reseat the affected adapters and riser card.
3. Update the server firmware (UEFI and IMM) and adapter firmware. Important: Some cluster solutions require specific code levels or coordinated code updates. If the device is part of a cluster solution, verify that the latest level of code is supported for the cluster solution before you update the code.
4. Replace the affected adapters.
5. Replace the riser card.
6. (Trained service technicians only) Replace the system board.

806f0021-3005ffff Fault in slot
[PhysicalConnectorSystemElementName]
on system
[ComputerSystemElementName]. (PCI
5)

Explanation: This message is for the use case when an implementation has detected a Fault in a slot.**Internal Event:** No**Severity:** Error**Alert Category:** Critical - Other**Serviceable:** Yes**CIM Information:** Prefix: PLAT and ID: 0330**SNMP Trap ID:** 50**Automatically notify Support:** Yes**User response:**

1. Check the PCI LED.
2. Reseat the affected adapters and riser card.
3. Update the server firmware (UEFI and IMM) and adapter firmware. Important: Some cluster solutions require specific code levels or coordinated code

806f0021-3006ffff • 806f0107-0301ffff

updates. If the device is part of a cluster solution, verify that the latest level of code is supported for the cluster solution before you update the code.

4. Replace the affected adapters.
5. Replace the riser card.
6. (Trained service technicians only) Replace the system board.

806f0021-3006ffff Fault in slot [PhysicalConnectorSystemElementName] on system [ComputerSystemElementName]. (PCI 6)

Explanation: This message is for the use case when an implementation has detected a Fault in a slot.

Internal Event: No

Severity: Error

Alert Category: Critical - Other

Serviceable: Yes

CIM Information: Prefix: PLAT and ID: 0330

SNMP Trap ID: 50

Automatically notify Support: Yes

User response:

1. Check the PCI LED.
2. Reseat the affected adapters and riser card.
3. Update the server firmware (UEFI and IMM) and adapter firmware. Important: Some cluster solutions require specific code levels or coordinated code updates. If the device is part of a cluster solution, verify that the latest level of code is supported for the cluster solution before you update the code.
4. Replace the affected adapters.
5. Replace the riser card.
6. (Trained service technicians only) Replace the system board.

806f0023-2101ffff Watchdog Timer expired for [WatchdogElementName]. (IPMI Watchdog)

Explanation: This message is for the use case when an implementation has detected a Watchdog Timer Expired.

Internal Event: No

Severity: Info

Alert Category: System - Other

Serviceable: No

CIM Information: Prefix: PLAT and ID: 0368

SNMP Trap ID:

Automatically notify Support: No

User response: No action; information only.

806f0025-2c01ffff [ManagedElementName] detected as present. (Mezz Card)

Explanation: This message is for the use case when an implementation has detected a Managed Element is now Present.

Internal Event: No

Severity: Info

Alert Category: System - Other

Serviceable: No

CIM Information: Prefix: PLAT and ID: 0390

SNMP Trap ID:

Automatically notify Support: No

User response: No action; information only.

806f0028-2101ffff Sensor [SensorElementName] is unavailable or degraded on management system [ComputerSystemElementName]. (TPM Cmd Failures)

Explanation: This message is for the use case when an implementation has detected a Sensor is Unavailable or degraded.

Internal Event: No

Severity: Warning

Alert Category: Warning - Other

Serviceable: Yes

CIM Information: Prefix: PLAT and ID: 0398

SNMP Trap ID: 60

Automatically notify Support: No

User response:

1. Turn off the server and disconnect the power cords. Reconnect the power cords and restart the server.
2. If the problem remains, (trained technician only) replace the system board.

806f0107-0301ffff An Over-Temperature Condition has been detected on [ProcessorElementName]. (CPU 1)

Explanation: This message is for the use case when an implementation has detected an Over-Temperature Condition Detected for Processor.

Internal Event: No

Severity: Error

Alert Category: Critical - Temperature

Serviceable: Yes

CIM Information: Prefix: PLAT and ID: 0036

SNMP Trap ID: 0

Automatically notify Support: No

User response:

1. Make sure that the fans are operating. There are no obstructions to the airflow (front and rear of the server), the air baffles are in place and correctly installed, and the server cover is installed and completely closed.
2. Make sure that the heat sink for microprocessor n is installed correctly.
3. (Trained technician only) Replace microprocessor n. (n = microprocessor number)

806f0107-0302ffff An Over-Temperature Condition has been detected on [ProcessorElementName]. (CPU 2)

Explanation: This message is for the use case when an implementation has detected an Over-Temperature Condition Detected for Processor.

Internal Event: No

Severity: Error

Alert Category: Critical - Temperature

Serviceable: Yes

CIM Information: Prefix: PLAT and ID: 0036

SNMP Trap ID: 0

Automatically notify Support: No

User response:

1. Make sure that the fans are operating. There are no obstructions to the airflow (front and rear of the server), the air baffles are in place and correctly installed, and the server cover is installed and completely closed.
2. Make sure that the heat sink for microprocessor n is installed correctly.
3. (Trained technician only) Replace microprocessor n. (n = microprocessor number)

806f0108-0a01ffff [PowerSupplyElementName] has Failed. (Power Supply 1)

Explanation: This message is for the use case when an implementation has detected a Power Supply has failed.

Internal Event: No

Severity: Error

Alert Category: Critical - Power

Serviceable: Yes

CIM Information: Prefix: PLAT and ID: 0086

SNMP Trap ID: 4

Automatically notify Support: Yes

User response:

1. Reseat power supply n.
2. If the power-on LED is not lit and the power-supply error LED is lit, replace power supply n.
3. If both the power-on LED and the power-supply error LED are not lit, see Power problems for more information. (n = power supply number)

806f0108-0a02ffff [PowerSupplyElementName] has Failed. (Power Supply 2)

Explanation: This message is for the use case when an implementation has detected a Power Supply has failed.

Internal Event: No

Severity: Error

Alert Category: Critical - Power

Serviceable: Yes

CIM Information: Prefix: PLAT and ID: 0086

SNMP Trap ID: 4

Automatically notify Support: Yes

User response:

1. Reseat power supply n.
2. If the power-on LED is not lit and the power-supply error LED is lit, replace power supply n.
3. If both the power-on LED and the power-supply error LED are not lit, see Power problems for more information. (n = power supply number)

806f0109-1301ffff [PowerSupplyElementName] has been Power Cycled. (Host Power)

Explanation: This message is for the use case when an implementation has detected a Power Unit that has been power cycled.

Internal Event: No

Severity: Info

Alert Category: System - Other

Serviceable: No

CIM Information: Prefix: PLAT and ID: 0108

SNMP Trap ID:

Automatically notify Support: No

User response: No action; information only.

806f010c-2001ffff **Uncorrectable error detected for [PhysicalMemoryElementName] on Subsystem [MemoryElementName]. (DIMM 1)**

Explanation: This message is for the use case when an implementation has detected a Memory uncorrectable error.

Internal Event: No

Severity: Error

Alert Category: Critical - Memory

Serviceable: Yes

CIM Information: Prefix: PLAT and ID: 0138

SNMP Trap ID: 41

Automatically notify Support: Yes

User response:

1. Check the IBM support website for an applicable retain tip or firmware update that applies to this memory error.
2. Swap the affected DIMMs (as indicated by the error LEDs on the system board or the event logs) to a different memory channel or microprocessor.
3. If the problem follows the DIMM, replace the failing DIMM.
4. (Trained technician only) If the problem occurs on the same DIMM connector, check the DIMM connector. If the connector contains any foreign material or is damaged, replace the system board.
5. (Trained technician only) Remove the affected microprocessor and check the microprocessor socket pins for any damaged pins. If a damage is found, replace the system board.
6. (Trained technician only) Replace the affected microprocessor.
7. Manually re-enable all affected DIMMs if the server firmware version is older than UEFI v1.10. If the server firmware version is UEFI v1.10 or newer, disconnect and reconnect the server to the power source and restart the server.
8. (Trained Service technician only) Replace the affected microprocessor.

806f010c-2002ffff **Uncorrectable error detected for [PhysicalMemoryElementName] on Subsystem [MemoryElementName]. (DIMM 2)**

Explanation: This message is for the use case when an implementation has detected a Memory uncorrectable error.

Internal Event: No

Severity: Error

Alert Category: Critical - Memory

Serviceable: Yes

CIM Information: Prefix: PLAT and ID: 0138

SNMP Trap ID: 41

Automatically notify Support: Yes

User response:

1. Check the IBM support website for an applicable retain tip or firmware update that applies to this memory error.
2. Swap the affected DIMMs (as indicated by the error LEDs on the system board or the event logs) to a different memory channel or microprocessor.
3. If the problem follows the DIMM, replace the failing DIMM.
4. (Trained technician only) If the problem occurs on the same DIMM connector, check the DIMM connector. If the connector contains any foreign material or is damaged, replace the system board.
5. (Trained technician only) Remove the affected microprocessor and check the microprocessor socket pins for any damaged pins. If a damage is found, replace the system board.
6. (Trained technician only) Replace the affected microprocessor.
7. Manually re-enable all affected DIMMs if the server firmware version is older than UEFI v1.10. If the server firmware version is UEFI v1.10 or newer, disconnect and reconnect the server to the power source and restart the server.
8. (Trained Service technician only) Replace the affected microprocessor.

806f010c-2003ffff **Uncorrectable error detected for [PhysicalMemoryElementName] on Subsystem [MemoryElementName]. (DIMM 3)**

Explanation: This message is for the use case when an implementation has detected a Memory uncorrectable error.

Internal Event: No

Severity: Error

Alert Category: Critical - Memory

Serviceable: Yes

CIM Information: Prefix: PLAT and ID: 0138

SNMP Trap ID: 41

Automatically notify Support: Yes

User response:

1. Check the IBM support website for an applicable retain tip or firmware update that applies to this memory error.

2. Swap the affected DIMMs (as indicated by the error LEDs on the system board or the event logs) to a different memory channel or microprocessor.
3. If the problem follows the DIMM, replace the failing DIMM.
4. (Trained technician only) If the problem occurs on the same DIMM connector, check the DIMM connector. If the connector contains any foreign material or is damaged, replace the system board.
5. (Trained technician only) Remove the affected microprocessor and check the microprocessor socket pins for any damaged pins. If a damage is found, replace the system board.
6. (Trained technician only) Replace the affected microprocessor.
7. Manually re-enable all affected DIMMs if the server firmware version is older than UEFI v1.10. If the server firmware version is UEFI v1.10 or newer, disconnect and reconnect the server to the power source and restart the server.
8. (Trained Service technician only) Replace the affected microprocessor.

806f010c-2004ffff Uncorrectable error detected for [PhysicalMemoryElementName] on Subsystem [MemoryElementName]. (DIMM 4)

Explanation: This message is for the use case when an implementation has detected a Memory uncorrectable error.

Internal Event: No

Severity: Error

Alert Category: Critical - Memory

Serviceable: Yes

CIM Information: Prefix: PLAT and ID: 0138

SNMP Trap ID: 41

Automatically notify Support: Yes

User response:

1. Check the IBM support website for an applicable retain tip or firmware update that applies to this memory error.
2. Swap the affected DIMMs (as indicated by the error LEDs on the system board or the event logs) to a different memory channel or microprocessor.
3. If the problem follows the DIMM, replace the failing DIMM.
4. (Trained technician only) If the problem occurs on the same DIMM connector, check the DIMM connector. If the connector contains any foreign material or is damaged, replace the system board.
5. (Trained technician only) Remove the affected microprocessor and check the microprocessor

socket pins for any damaged pins. If a damage is found, replace the system board.

6. (Trained technician only) Replace the affected microprocessor.
7. Manually re-enable all affected DIMMs if the server firmware version is older than UEFI v1.10. If the server firmware version is UEFI v1.10 or newer, disconnect and reconnect the server to the power source and restart the server.
8. (Trained Service technician only) Replace the affected microprocessor.

806f010c-2005ffff Uncorrectable error detected for [PhysicalMemoryElementName] on Subsystem [MemoryElementName]. (DIMM 5)

Explanation: This message is for the use case when an implementation has detected a Memory uncorrectable error.

Internal Event: No

Severity: Error

Alert Category: Critical - Memory

Serviceable: Yes

CIM Information: Prefix: PLAT and ID: 0138

SNMP Trap ID: 41

Automatically notify Support: Yes

User response:

1. Check the IBM support website for an applicable retain tip or firmware update that applies to this memory error.
2. Swap the affected DIMMs (as indicated by the error LEDs on the system board or the event logs) to a different memory channel or microprocessor.
3. If the problem follows the DIMM, replace the failing DIMM.
4. (Trained technician only) If the problem occurs on the same DIMM connector, check the DIMM connector. If the connector contains any foreign material or is damaged, replace the system board.
5. (Trained technician only) Remove the affected microprocessor and check the microprocessor socket pins for any damaged pins. If a damage is found, replace the system board.
6. (Trained technician only) Replace the affected microprocessor.
7. Manually re-enable all affected DIMMs if the server firmware version is older than UEFI v1.10. If the server firmware version is UEFI v1.10 or newer, disconnect and reconnect the server to the power source and restart the server.
8. (Trained Service technician only) Replace the affected microprocessor.

806f010c-2006ffff Uncorrectable error detected for [PhysicalMemoryElementName] on Subsystem [MemoryElementName]. (DIMM 6)

Explanation: This message is for the use case when an implementation has detected a Memory uncorrectable error.

Internal Event: No

Severity: Error

Alert Category: Critical - Memory

Serviceable: Yes

CIM Information: Prefix: PLAT and ID: 0138

SNMP Trap ID: 41

Automatically notify Support: Yes

User response:

1. Check the IBM support website for an applicable retain tip or firmware update that applies to this memory error.
2. Swap the affected DIMMs (as indicated by the error LEDs on the system board or the event logs) to a different memory channel or microprocessor.
3. If the problem follows the DIMM, replace the failing DIMM.
4. (Trained technician only) If the problem occurs on the same DIMM connector, check the DIMM connector. If the connector contains any foreign material or is damaged, replace the system board.
5. (Trained technician only) Remove the affected microprocessor and check the microprocessor socket pins for any damaged pins. If a damage is found, replace the system board.
6. (Trained technician only) Replace the affected microprocessor.
7. Manually re-enable all affected DIMMs if the server firmware version is older than UEFI v1.10. If the server firmware version is UEFI v1.10 or newer, disconnect and reconnect the server to the power source and restart the server.
8. (Trained Service technician only) Replace the affected microprocessor.

806f010c-2007ffff Uncorrectable error detected for [PhysicalMemoryElementName] on Subsystem [MemoryElementName]. (DIMM 7)

Explanation: This message is for the use case when an implementation has detected a Memory uncorrectable error.

Internal Event: No

Severity: Error

Alert Category: Critical - Memory

Serviceable: Yes

CIM Information: Prefix: PLAT and ID: 0138

SNMP Trap ID: 41

Automatically notify Support: Yes

User response:

1. Check the IBM support website for an applicable retain tip or firmware update that applies to this memory error.
2. Swap the affected DIMMs (as indicated by the error LEDs on the system board or the event logs) to a different memory channel or microprocessor.
3. If the problem follows the DIMM, replace the failing DIMM.
4. (Trained technician only) If the problem occurs on the same DIMM connector, check the DIMM connector. If the connector contains any foreign material or is damaged, replace the system board.
5. (Trained technician only) Remove the affected microprocessor and check the microprocessor socket pins for any damaged pins. If a damage is found, replace the system board.
6. (Trained technician only) Replace the affected microprocessor.
7. Manually re-enable all affected DIMMs if the server firmware version is older than UEFI v1.10. If the server firmware version is UEFI v1.10 or newer, disconnect and reconnect the server to the power source and restart the server.
8. (Trained Service technician only) Replace the affected microprocessor.

806f010c-2008ffff Uncorrectable error detected for [PhysicalMemoryElementName] on Subsystem [MemoryElementName]. (DIMM 8)

Explanation: This message is for the use case when an implementation has detected a Memory uncorrectable error.

Internal Event: No

Severity: Error

Alert Category: Critical - Memory

Serviceable: Yes

CIM Information: Prefix: PLAT and ID: 0138

SNMP Trap ID: 41

Automatically notify Support: Yes

User response:

1. Check the IBM support website for an applicable retain tip or firmware update that applies to this memory error.

2. Swap the affected DIMMs (as indicated by the error LEDs on the system board or the event logs) to a different memory channel or microprocessor.
3. If the problem follows the DIMM, replace the failing DIMM.
4. (Trained technician only) If the problem occurs on the same DIMM connector, check the DIMM connector. If the connector contains any foreign material or is damaged, replace the system board.
5. (Trained technician only) Remove the affected microprocessor and check the microprocessor socket pins for any damaged pins. If a damage is found, replace the system board.
6. (Trained technician only) Replace the affected microprocessor.
7. Manually re-enable all affected DIMMs if the server firmware version is older than UEFI v1.10. If the server firmware version is UEFI v1.10 or newer, disconnect and reconnect the server to the power source and restart the server.
8. (Trained Service technician only) Replace the affected microprocessor.

806f010c-2009ffff Uncorrectable error detected for [PhysicalMemoryElementName] on Subsystem [MemoryElementName]. (DIMM 9)

Explanation: This message is for the use case when an implementation has detected a Memory uncorrectable error.

Internal Event: No

Severity: Error

Alert Category: Critical - Memory

Serviceable: Yes

CIM Information: Prefix: PLAT and ID: 0138

SNMP Trap ID: 41

Automatically notify Support: Yes

User response:

1. Check the IBM support website for an applicable retain tip or firmware update that applies to this memory error.
2. Swap the affected DIMMs (as indicated by the error LEDs on the system board or the event logs) to a different memory channel or microprocessor.
3. If the problem follows the DIMM, replace the failing DIMM.
4. (Trained technician only) If the problem occurs on the same DIMM connector, check the DIMM connector. If the connector contains any foreign material or is damaged, replace the system board.
5. (Trained technician only) Remove the affected microprocessor and check the microprocessor

socket pins for any damaged pins. If a damage is found, replace the system board.

6. (Trained technician only) Replace the affected microprocessor.
7. Manually re-enable all affected DIMMs if the server firmware version is older than UEFI v1.10. If the server firmware version is UEFI v1.10 or newer, disconnect and reconnect the server to the power source and restart the server.
8. (Trained Service technician only) Replace the affected microprocessor.

806f010c-200affff Uncorrectable error detected for [PhysicalMemoryElementName] on Subsystem [MemoryElementName]. (DIMM 10)

Explanation: This message is for the use case when an implementation has detected a Memory uncorrectable error.

Internal Event: No

Severity: Error

Alert Category: Critical - Memory

Serviceable: Yes

CIM Information: Prefix: PLAT and ID: 0138

SNMP Trap ID: 41

Automatically notify Support: Yes

User response:

1. Check the IBM support website for an applicable retain tip or firmware update that applies to this memory error.
2. Swap the affected DIMMs (as indicated by the error LEDs on the system board or the event logs) to a different memory channel or microprocessor.
3. If the problem follows the DIMM, replace the failing DIMM.
4. (Trained technician only) If the problem occurs on the same DIMM connector, check the DIMM connector. If the connector contains any foreign material or is damaged, replace the system board.
5. (Trained technician only) Remove the affected microprocessor and check the microprocessor socket pins for any damaged pins. If a damage is found, replace the system board.
6. (Trained technician only) Replace the affected microprocessor.
7. Manually re-enable all affected DIMMs if the server firmware version is older than UEFI v1.10. If the server firmware version is UEFI v1.10 or newer, disconnect and reconnect the server to the power source and restart the server.
8. (Trained Service technician only) Replace the affected microprocessor.

806f010c-200bffff Uncorrectable error detected for [PhysicalMemoryElementName] on Subsystem [MemoryElementName]. (DIMM 11)

Explanation: This message is for the use case when an implementation has detected a Memory uncorrectable error.

Internal Event: No

Severity: Error

Alert Category: Critical - Memory

Serviceable: Yes

CIM Information: Prefix: PLAT and ID: 0138

SNMP Trap ID: 41

Automatically notify Support: Yes

User response:

1. Check the IBM support website for an applicable retain tip or firmware update that applies to this memory error.
2. Swap the affected DIMMs (as indicated by the error LEDs on the system board or the event logs) to a different memory channel or microprocessor.
3. If the problem follows the DIMM, replace the failing DIMM.
4. (Trained technician only) If the problem occurs on the same DIMM connector, check the DIMM connector. If the connector contains any foreign material or is damaged, replace the system board.
5. (Trained technician only) Remove the affected microprocessor and check the microprocessor socket pins for any damaged pins. If a damage is found, replace the system board.
6. (Trained technician only) Replace the affected microprocessor.
7. Manually re-enable all affected DIMMs if the server firmware version is older than UEFI v1.10. If the server firmware version is UEFI v1.10 or newer, disconnect and reconnect the server to the power source and restart the server.
8. (Trained Service technician only) Replace the affected microprocessor.

806f010c-200cffff Uncorrectable error detected for [PhysicalMemoryElementName] on Subsystem [MemoryElementName]. (DIMM 12)

Explanation: This message is for the use case when an implementation has detected a Memory uncorrectable error.

Internal Event: No

Severity: Error

Alert Category: Critical - Memory

Serviceable: Yes

CIM Information: Prefix: PLAT and ID: 0138

SNMP Trap ID: 41

Automatically notify Support: Yes

User response:

1. Check the IBM support website for an applicable retain tip or firmware update that applies to this memory error.
2. Swap the affected DIMMs (as indicated by the error LEDs on the system board or the event logs) to a different memory channel or microprocessor.
3. If the problem follows the DIMM, replace the failing DIMM.
4. (Trained technician only) If the problem occurs on the same DIMM connector, check the DIMM connector. If the connector contains any foreign material or is damaged, replace the system board.
5. (Trained technician only) Remove the affected microprocessor and check the microprocessor socket pins for any damaged pins. If a damage is found, replace the system board.
6. (Trained technician only) Replace the affected microprocessor.
7. Manually re-enable all affected DIMMs if the server firmware version is older than UEFI v1.10. If the server firmware version is UEFI v1.10 or newer, disconnect and reconnect the server to the power source and restart the server.
8. (Trained Service technician only) Replace the affected microprocessor.

806f010c-200dffff Uncorrectable error detected for [PhysicalMemoryElementName] on Subsystem [MemoryElementName]. (DIMM 13)

Explanation: This message is for the use case when an implementation has detected a Memory uncorrectable error.

Internal Event: No

Severity: Error

Alert Category: Critical - Memory

Serviceable: Yes

CIM Information: Prefix: PLAT and ID: 0138

SNMP Trap ID: 41

Automatically notify Support: Yes

User response:

1. Check the IBM support website for an applicable retain tip or firmware update that applies to this memory error.

2. Swap the affected DIMMs (as indicated by the error LEDs on the system board or the event logs) to a different memory channel or microprocessor.
3. If the problem follows the DIMM, replace the failing DIMM.
4. (Trained technician only) If the problem occurs on the same DIMM connector, check the DIMM connector. If the connector contains any foreign material or is damaged, replace the system board.
5. (Trained technician only) Remove the affected microprocessor and check the microprocessor socket pins for any damaged pins. If a damage is found, replace the system board.
6. (Trained technician only) Replace the affected microprocessor.
7. Manually re-enable all affected DIMMs if the server firmware version is older than UEFI v1.10. If the server firmware version is UEFI v1.10 or newer, disconnect and reconnect the server to the power source and restart the server.
8. (Trained Service technician only) Replace the affected microprocessor.

806f010c-200effff Uncorrectable error detected for [PhysicalMemoryElementName] on Subsystem [MemoryElementName]. (DIMM 14)

Explanation: This message is for the use case when an implementation has detected a Memory uncorrectable error.

Internal Event: No

Severity: Error

Alert Category: Critical - Memory

Serviceable: Yes

CIM Information: Prefix: PLAT and ID: 0138

SNMP Trap ID: 41

Automatically notify Support: Yes

User response:

1. Check the IBM support website for an applicable retain tip or firmware update that applies to this memory error.
2. Swap the affected DIMMs (as indicated by the error LEDs on the system board or the event logs) to a different memory channel or microprocessor.
3. If the problem follows the DIMM, replace the failing DIMM.
4. (Trained technician only) If the problem occurs on the same DIMM connector, check the DIMM connector. If the connector contains any foreign material or is damaged, replace the system board.
5. (Trained technician only) Remove the affected microprocessor and check the microprocessor

socket pins for any damaged pins. If a damage is found, replace the system board.

6. (Trained technician only) Replace the affected microprocessor.
7. Manually re-enable all affected DIMMs if the server firmware version is older than UEFI v1.10. If the server firmware version is UEFI v1.10 or newer, disconnect and reconnect the server to the power source and restart the server.
8. (Trained Service technician only) Replace the affected microprocessor.

806f010c-200fffff Uncorrectable error detected for [PhysicalMemoryElementName] on Subsystem [MemoryElementName]. (DIMM 15)

Explanation: This message is for the use case when an implementation has detected a Memory uncorrectable error.

Internal Event: No

Severity: Error

Alert Category: Critical - Memory

Serviceable: Yes

CIM Information: Prefix: PLAT and ID: 0138

SNMP Trap ID: 41

Automatically notify Support: Yes

User response:

1. Check the IBM support website for an applicable retain tip or firmware update that applies to this memory error.
2. Swap the affected DIMMs (as indicated by the error LEDs on the system board or the event logs) to a different memory channel or microprocessor.
3. If the problem follows the DIMM, replace the failing DIMM.
4. (Trained technician only) If the problem occurs on the same DIMM connector, check the DIMM connector. If the connector contains any foreign material or is damaged, replace the system board.
5. (Trained technician only) Remove the affected microprocessor and check the microprocessor socket pins for any damaged pins. If a damage is found, replace the system board.
6. (Trained technician only) Replace the affected microprocessor.
7. Manually re-enable all affected DIMMs if the server firmware version is older than UEFI v1.10. If the server firmware version is UEFI v1.10 or newer, disconnect and reconnect the server to the power source and restart the server.
8. (Trained Service technician only) Replace the affected microprocessor.

806f010c-2010ffff Uncorrectable error detected for [PhysicalMemoryElementName] on Subsystem [MemoryElementName]. (DIMM 16)

Explanation: This message is for the use case when an implementation has detected a Memory uncorrectable error.

Internal Event: No

Severity: Error

Alert Category: Critical - Memory

Serviceable: Yes

CIM Information: Prefix: PLAT and ID: 0138

SNMP Trap ID: 41

Automatically notify Support: Yes

User response:

1. Check the IBM support website for an applicable retain tip or firmware update that applies to this memory error.
2. Swap the affected DIMMs (as indicated by the error LEDs on the system board or the event logs) to a different memory channel or microprocessor.
3. If the problem follows the DIMM, replace the failing DIMM.
4. (Trained technician only) If the problem occurs on the same DIMM connector, check the DIMM connector. If the connector contains any foreign material or is damaged, replace the system board.
5. (Trained technician only) Remove the affected microprocessor and check the microprocessor socket pins for any damaged pins. If a damage is found, replace the system board.
6. (Trained technician only) Replace the affected microprocessor.
7. Manually re-enable all affected DIMMs if the server firmware version is older than UEFI v1.10. If the server firmware version is UEFI v1.10 or newer, disconnect and reconnect the server to the power source and restart the server.
8. (Trained Service technician only) Replace the affected microprocessor.

806f010c-2581ffff Uncorrectable error detected for [PhysicalMemoryElementName] on Subsystem [MemoryElementName]. (All DIMMS)

Explanation: This message is for the use case when an implementation has detected a Memory uncorrectable error.

Internal Event: No

Severity: Error

Alert Category: Critical - Memory

Serviceable: Yes

CIM Information: Prefix: PLAT and ID: 0138

SNMP Trap ID: 41

Automatically notify Support: Yes

User response:

1. Check the IBM support website for an applicable retain tip or firmware update that applies to this memory error.
2. Swap the affected DIMMs (as indicated by the error LEDs on the system board or the event logs) to a different memory channel or microprocessor.
3. If the problem follows the DIMM, replace the failing DIMM.
4. (Trained technician only) If the problem occurs on the same DIMM connector, check the DIMM connector. If the connector contains any foreign material or is damaged, replace the system board.
5. (Trained technician only) Remove the affected microprocessor and check the microprocessor socket pins for any damaged pins. If a damage is found, replace the system board.
6. (Trained technician only) Replace the affected microprocessor.
7. Manually re-enable all affected DIMMs if the server firmware version is older than UEFI v1.10. If the server firmware version is UEFI v1.10 or newer, disconnect and reconnect the server to the power source and restart the server.
8. (Trained Service technician only) Replace the affected microprocessor.

One of the DIMMs :

806f010f-2201ffff The System [ComputerSystemElementName] encountered a firmware hang. (Firmware Error)

Explanation: This message is for the use case when an implementation has detected a System Firmware Hang.

Internal Event: No

Severity: Error

Alert Category: System - Boot failure

Serviceable: Yes

CIM Information: Prefix: PLAT and ID: 0186

SNMP Trap ID: 25

Automatically notify Support: No

User response:

1. Make sure the server meets the minimum configuration to start (see Power-supply LEDs).

- Update the server firmware on the primary page. Important: Some cluster solutions require specific code levels or coordinated code updates. If the device is part of a cluster solution, verify that the latest level of code is supported for the cluster solution before you update the code.
- (Trained technician only) Replace the system board.

806f0113-0301ffff A bus timeout has occurred on system [ComputerSystemElementName]. (CPU 1 PECI)

Explanation: This message is for the use case when an implementation has detected a Bus Timeout.

Internal Event: No

Severity: Error

Alert Category: Critical - Other

Serviceable: Yes

CIM Information: Prefix: PLAT and ID: 0224

SNMP Trap ID: 50

Automatically notify Support: No

User response:

- (Trained technician only) Reseat the microprocessor, and then restart the server.
- (Trained technician only) Replace microprocessor n. (n = microprocessor number)

806f0113-0302ffff A bus timeout has occurred on system [ComputerSystemElementName]. (CPU 2 PECI)

Explanation: This message is for the use case when an implementation has detected a Bus Timeout.

Internal Event: No

Severity: Error

Alert Category: Critical - Other

Serviceable: Yes

CIM Information: Prefix: PLAT and ID: 0224

SNMP Trap ID: 50

Automatically notify Support: No

User response:

- (Trained technician only) Reseat the microprocessor, and then restart the server.
- (Trained technician only) Replace microprocessor n. (n = microprocessor number)

806f0123-2101ffff Reboot of system [ComputerSystemElementName] initiated by [WatchdogElementName]. (IPMI Watchdog)

Explanation: This message is for the use case when an implementation has detected a Reboot by a Watchdog occurred.

Internal Event: No

Severity: Info

Alert Category: System - Other

Serviceable: No

CIM Information: Prefix: PLAT and ID: 0370

SNMP Trap ID:

Automatically notify Support: No

User response: No action; information only.

806f0125-0b01ffff [ManagedElementName] detected as absent. (PCI Riser 1)

Explanation: This message is for the use case when an implementation has detected a Managed Element is Absent.

Internal Event: No

Severity: Info

Alert Category: System - Other

Serviceable: No

CIM Information: Prefix: PLAT and ID: 0392

SNMP Trap ID:

Automatically notify Support: No

User response: Please ensure the PCI riser 1 has been installed correctly.

806f0125-0b02ffff [ManagedElementName] detected as absent. (PCI Riser 2)

Explanation: This message is for the use case when an implementation has detected a Managed Element is Absent.

Internal Event: No

Severity: Info

Alert Category: System - Other

Serviceable: No

CIM Information: Prefix: PLAT and ID: 0392

SNMP Trap ID:

Automatically notify Support: No

User response: Please ensure the PCI riser 1 has been installed correctly.

806f0207-0301ffff [ProcessorElementName] has Failed with FRB1/BIST condition. (CPU 1)

Explanation: This message is for the use case when an implementation has detected a Processor Failed - FRB1/BIST condition.

Internal Event: No

Severity: Error

Alert Category: Critical - CPU

Serviceable: Yes

CIM Information: Prefix: PLAT and ID: 0044

SNMP Trap ID: 40

Automatically notify Support: Yes

User response:

1. Update the latest level of system firmware and device drivers are installed for all adapters and standard devices, such as UEFI, IMM Ethernet, and SAS. Important: Some cluster solutions require specific code levels or coordinated code updates. If the device is part of a cluster solution, verify that the latest level of code is supported for the cluster solution before you update the code.
2. Run the DSA program.
3. Reseat the adapter.
4. Replace the adapter.
5. (Trained technician only) Replace microprocessor n. (n = microprocessor number)
6. (Trained technician only) Replace the system board.

806f0207-0302ffff [ProcessorElementName] has Failed with FRB1/BIST condition. (CPU 2)

Explanation: This message is for the use case when an implementation has detected a Processor Failed - FRB1/BIST condition.

Internal Event: No

Severity: Error

Alert Category: Critical - CPU

Serviceable: Yes

CIM Information: Prefix: PLAT and ID: 0044

SNMP Trap ID: 40

Automatically notify Support: Yes

User response:

1. Update the latest level of system firmware and device drivers are installed for all adapters and standard devices, such as UEFI, IMM Ethernet, and SAS. Important: Some cluster solutions require

specific code levels or coordinated code updates. If the device is part of a cluster solution, verify that the latest level of code is supported for the cluster solution before you update the code.

2. Run the DSA program.
3. Reseat the adapter.
4. Replace the adapter.
5. (Trained technician only) Replace microprocessor n. (n = microprocessor number)
6. (Trained technician only) Replace the system board.

806f0207-2584ffff [ProcessorElementName] has Failed with FRB1/BIST condition. (All CPUs)

Explanation: This message is for the use case when an implementation has detected a Processor Failed - FRB1/BIST condition.

Internal Event: No

Severity: Error

Alert Category: Critical - CPU

Serviceable: Yes

CIM Information: Prefix: PLAT and ID: 0044

SNMP Trap ID: 40

Automatically notify Support: Yes

User response:

1. Update the latest level of system firmware and device drivers are installed for all adapters and standard devices, such as UEFI, IMM Ethernet, and SAS. Important: Some cluster solutions require specific code levels or coordinated code updates. If the device is part of a cluster solution, verify that the latest level of code is supported for the cluster solution before you update the code.
2. Run the DSA program.
3. Reseat the adapter.
4. Replace the adapter.
5. (Trained technician only) Replace microprocessor n. (n = microprocessor number)
6. (Trained technician only) Replace the system board.

One of the CPUs :

806f0223-2101ffff Powering off system [ComputerSystemElementName] initiated by [WatchdogElementName]. (IPMI Watchdog)

Explanation: This message is for the use case when an implementation has detected a Poweroff by Watchdog has occurred.

Internal Event: No
Severity: Info
Alert Category: System - Other
Serviceable: No
CIM Information: Prefix: PLAT and ID: 0372
SNMP Trap ID:
Automatically notify Support: No
User response: No action; information only.

806f0308-0a01ffff [PowerSupplyElementName] has lost input. (Power Supply 1)

Explanation: This message is for the use case when an implementation has detected a Power Supply that has input that has been lost.

Internal Event: No
Severity: Info
Alert Category: System - Other
Serviceable: No
CIM Information: Prefix: PLAT and ID: 0100
SNMP Trap ID:
Automatically notify Support: No
User response:

1. Reconnect the power cords.
2. Check power supply n LED.
3. See Power-supply LEDs for more information. (n = power supply number)

806f0308-0a02ffff [PowerSupplyElementName] has lost input. (Power Supply 2)

Explanation: This message is for the use case when an implementation has detected a Power Supply that has input that has been lost.

Internal Event: No
Severity: Info
Alert Category: System - Other
Serviceable: No
CIM Information: Prefix: PLAT and ID: 0100
SNMP Trap ID:
Automatically notify Support: No
User response:

1. Reconnect the power cords.
2. Check power supply n LED.
3. See Power-supply LEDs for more information. (n = power supply number)

806f030c-2001ffff Scrub Failure for [PhysicalMemoryElementName] on Subsystem [MemoryElementName]. (DIMM 1)

Explanation: This message is for the use case when an implementation has detected a Memory Scrub failure.

Internal Event: No
Severity: Error
Alert Category: Critical - Memory
Serviceable: Yes

CIM Information: Prefix: PLAT and ID: 0136
SNMP Trap ID: 41

Automatically notify Support: No

User response: Note: Each time you install or remove a DIMM, you must disconnect the server from the power source; then, wait 10 seconds before restarting the server.

1. Check the IBM support website for an applicable retain tip or firmware update that applies to this memory error.
2. Manually re-enable all affected DIMMs.
3. Swap the affected DIMMs (as indicated by the error LEDs on the system board or the event logs) to a different memory channel or microprocessor.
4. If the problem follows the DIMM, replace the failing DIMM.
5. (Trained technician only) If the problem occurs on the same DIMM connector, check the DIMM connector. If the connector contains any foreign material or is damaged, replace the system board.
6. (Trained technician only) Remove the affected microprocessor and check the microprocessor socket pins for any damaged pins. If a damage is found, replace the system board.
7. (Trained technician only) Replace the affected microprocessor.

806f030c-2002ffff Scrub Failure for [PhysicalMemoryElementName] on Subsystem [MemoryElementName]. (DIMM 2)

Explanation: This message is for the use case when an implementation has detected a Memory Scrub failure.

Internal Event: No
Severity: Error
Alert Category: Critical - Memory
Serviceable: Yes

CIM Information: Prefix: PLAT and ID: 0136

SNMP Trap ID: 41

Automatically notify Support: No

User response: Note: Each time you install or remove a DIMM, you must disconnect the server from the power source; then, wait 10 seconds before restarting the server.

1. Check the IBM support website for an applicable retain tip or firmware update that applies to this memory error.
2. Manually re-enable all affected DIMMs.
3. Swap the affected DIMMs (as indicated by the error LEDs on the system board or the event logs) to a different memory channel or microprocessor.
4. If the problem follows the DIMM, replace the failing DIMM.
5. (Trained technician only) If the problem occurs on the same DIMM connector, check the DIMM connector. If the connector contains any foreign material or is damaged, replace the system board.
6. (Trained technician only) Remove the affected microprocessor and check the microprocessor socket pins for any damaged pins. If a damage is found, replace the system board.
7. (Trained technician only) Replace the affected microprocessor.

806f030c-2003ffff Scrub Failure for
[PhysicalMemoryElementName] on
Subsystem [MemoryElementName].
(DIMM 3)

Explanation: This message is for the use case when an implementation has detected a Memory Scrub failure.

Internal Event: No

Severity: Error

Alert Category: Critical - Memory

Serviceable: Yes

CIM Information: Prefix: PLAT and ID: 0136

SNMP Trap ID: 41

Automatically notify Support: No

User response: Note: Each time you install or remove a DIMM, you must disconnect the server from the power source; then, wait 10 seconds before restarting the server.

1. Check the IBM support website for an applicable retain tip or firmware update that applies to this memory error.
2. Manually re-enable all affected DIMMs.
3. Swap the affected DIMMs (as indicated by the error LEDs on the system board or the event logs) to a different memory channel or microprocessor.

4. If the problem follows the DIMM, replace the failing DIMM.
5. (Trained technician only) If the problem occurs on the same DIMM connector, check the DIMM connector. If the connector contains any foreign material or is damaged, replace the system board.
6. (Trained technician only) Remove the affected microprocessor and check the microprocessor socket pins for any damaged pins. If a damage is found, replace the system board.
7. (Trained technician only) Replace the affected microprocessor.

806f030c-2004ffff Scrub Failure for
[PhysicalMemoryElementName] on
Subsystem [MemoryElementName].
(DIMM 4)

Explanation: This message is for the use case when an implementation has detected a Memory Scrub failure.

Internal Event: No

Severity: Error

Alert Category: Critical - Memory

Serviceable: Yes

CIM Information: Prefix: PLAT and ID: 0136

SNMP Trap ID: 41

Automatically notify Support: No

User response: Note: Each time you install or remove a DIMM, you must disconnect the server from the power source; then, wait 10 seconds before restarting the server.

1. Check the IBM support website for an applicable retain tip or firmware update that applies to this memory error.
 2. Manually re-enable all affected DIMMs.
 3. Swap the affected DIMMs (as indicated by the error LEDs on the system board or the event logs) to a different memory channel or microprocessor.
 4. If the problem follows the DIMM, replace the failing DIMM.
 5. (Trained technician only) If the problem occurs on the same DIMM connector, check the DIMM connector. If the connector contains any foreign material or is damaged, replace the system board.
 6. (Trained technician only) Remove the affected microprocessor and check the microprocessor socket pins for any damaged pins. If a damage is found, replace the system board.
 7. (Trained technician only) Replace the affected microprocessor.
-

806f030c-2005ffff Scrub Failure for
[PhysicalMemoryElementName] on
Subsystem [MemoryElementName].
(DIMM 5)

Explanation: This message is for the use case when an implementation has detected a Memory Scrub failure.

Internal Event: No

Severity: Error

Alert Category: Critical - Memory

Serviceable: Yes

CIM Information: Prefix: PLAT and ID: 0136

SNMP Trap ID: 41

Automatically notify Support: No

User response: Note: Each time you install or remove a DIMM, you must disconnect the server from the power source; then, wait 10 seconds before restarting the server.

1. Check the IBM support website for an applicable retain tip or firmware update that applies to this memory error.
2. Manually re-enable all affected DIMMs.
3. Swap the affected DIMMs (as indicated by the error LEDs on the system board or the event logs) to a different memory channel or microprocessor.
4. If the problem follows the DIMM, replace the failing DIMM.
5. (Trained technician only) If the problem occurs on the same DIMM connector, check the DIMM connector. If the connector contains any foreign material or is damaged, replace the system board.
6. (Trained technician only) Remove the affected microprocessor and check the microprocessor socket pins for any damaged pins. If a damage is found, replace the system board.
7. (Trained technician only) Replace the affected microprocessor.

806f030c-2006ffff Scrub Failure for
[PhysicalMemoryElementName] on
Subsystem [MemoryElementName].
(DIMM 6)

Explanation: This message is for the use case when an implementation has detected a Memory Scrub failure.

Internal Event: No

Severity: Error

Alert Category: Critical - Memory

Serviceable: Yes

CIM Information: Prefix: PLAT and ID: 0136

SNMP Trap ID: 41

Automatically notify Support: No

User response: Note: Each time you install or remove a DIMM, you must disconnect the server from the power source; then, wait 10 seconds before restarting the server.

1. Check the IBM support website for an applicable retain tip or firmware update that applies to this memory error.
2. Manually re-enable all affected DIMMs.
3. Swap the affected DIMMs (as indicated by the error LEDs on the system board or the event logs) to a different memory channel or microprocessor.
4. If the problem follows the DIMM, replace the failing DIMM.
5. (Trained technician only) If the problem occurs on the same DIMM connector, check the DIMM connector. If the connector contains any foreign material or is damaged, replace the system board.
6. (Trained technician only) Remove the affected microprocessor and check the microprocessor socket pins for any damaged pins. If a damage is found, replace the system board.
7. (Trained technician only) Replace the affected microprocessor.

806f030c-2007ffff Scrub Failure for
[PhysicalMemoryElementName] on
Subsystem [MemoryElementName].
(DIMM 7)

Explanation: This message is for the use case when an implementation has detected a Memory Scrub failure.

Internal Event: No

Severity: Error

Alert Category: Critical - Memory

Serviceable: Yes

CIM Information: Prefix: PLAT and ID: 0136

SNMP Trap ID: 41

Automatically notify Support: No

User response: Note: Each time you install or remove a DIMM, you must disconnect the server from the power source; then, wait 10 seconds before restarting the server.

1. Check the IBM support website for an applicable retain tip or firmware update that applies to this memory error.
2. Manually re-enable all affected DIMMs.
3. Swap the affected DIMMs (as indicated by the error LEDs on the system board or the event logs) to a different memory channel or microprocessor.

4. If the problem follows the DIMM, replace the failing DIMM.
5. (Trained technician only) If the problem occurs on the same DIMM connector, check the DIMM connector. If the connector contains any foreign material or is damaged, replace the system board.
6. (Trained technician only) Remove the affected microprocessor and check the microprocessor socket pins for any damaged pins. If a damage is found, replace the system board.
7. (Trained technician only) Replace the affected microprocessor.

**806f030c-2008ffff Scrub Failure for
[PhysicalMemoryElementName] on
Subsystem [MemoryElementName].
(DIMM 8)**

Explanation: This message is for the use case when an implementation has detected a Memory Scrub failure.

Internal Event: No

Severity: Error

Alert Category: Critical - Memory

Serviceable: Yes

CIM Information: Prefix: PLAT and ID: 0136

SNMP Trap ID: 41

Automatically notify Support: No

User response: Note: Each time you install or remove a DIMM, you must disconnect the server from the power source; then, wait 10 seconds before restarting the server.

1. Check the IBM support website for an applicable retain tip or firmware update that applies to this memory error.
2. Manually re-enable all affected DIMMs.
3. Swap the affected DIMMs (as indicated by the error LEDs on the system board or the event logs) to a different memory channel or microprocessor.
4. If the problem follows the DIMM, replace the failing DIMM.
5. (Trained technician only) If the problem occurs on the same DIMM connector, check the DIMM connector. If the connector contains any foreign material or is damaged, replace the system board.
6. (Trained technician only) Remove the affected microprocessor and check the microprocessor socket pins for any damaged pins. If a damage is found, replace the system board.
7. (Trained technician only) Replace the affected microprocessor.

**806f030c-2009ffff Scrub Failure for
[PhysicalMemoryElementName] on
Subsystem [MemoryElementName].
(DIMM 9)**

Explanation: This message is for the use case when an implementation has detected a Memory Scrub failure.

Internal Event: No

Severity: Error

Alert Category: Critical - Memory

Serviceable: Yes

CIM Information: Prefix: PLAT and ID: 0136

SNMP Trap ID: 41

Automatically notify Support: No

User response: Note: Each time you install or remove a DIMM, you must disconnect the server from the power source; then, wait 10 seconds before restarting the server.

1. Check the IBM support website for an applicable retain tip or firmware update that applies to this memory error.
2. Manually re-enable all affected DIMMs.
3. Swap the affected DIMMs (as indicated by the error LEDs on the system board or the event logs) to a different memory channel or microprocessor.
4. If the problem follows the DIMM, replace the failing DIMM.
5. (Trained technician only) If the problem occurs on the same DIMM connector, check the DIMM connector. If the connector contains any foreign material or is damaged, replace the system board.
6. (Trained technician only) Remove the affected microprocessor and check the microprocessor socket pins for any damaged pins. If a damage is found, replace the system board.
7. (Trained technician only) Replace the affected microprocessor.

**806f030c-200affff Scrub Failure for
[PhysicalMemoryElementName] on
Subsystem [MemoryElementName].
(DIMM 10)**

Explanation: This message is for the use case when an implementation has detected a Memory Scrub failure.

Internal Event: No

Severity: Error

Alert Category: Critical - Memory

Serviceable: Yes

CIM Information: Prefix: PLAT and ID: 0136

SNMP Trap ID: 41

Automatically notify Support: No

User response: Note: Each time you install or remove a DIMM, you must disconnect the server from the power source; then, wait 10 seconds before restarting the server.

1. Check the IBM support website for an applicable retain tip or firmware update that applies to this memory error.
2. Manually re-enable all affected DIMMs.
3. Swap the affected DIMMs (as indicated by the error LEDs on the system board or the event logs) to a different memory channel or microprocessor.
4. If the problem follows the DIMM, replace the failing DIMM.
5. (Trained technician only) If the problem occurs on the same DIMM connector, check the DIMM connector. If the connector contains any foreign material or is damaged, replace the system board.
6. (Trained technician only) Remove the affected microprocessor and check the microprocessor socket pins for any damaged pins. If a damage is found, replace the system board.
7. (Trained technician only) Replace the affected microprocessor.

806f030c-200bffff Scrub Failure for
[PhysicalMemoryElementName] on
Subsystem [MemoryElementName].
(DIMM 11)

Explanation: This message is for the use case when an implementation has detected a Memory Scrub failure.

Internal Event: No

Severity: Error

Alert Category: Critical - Memory

Serviceable: Yes

CIM Information: Prefix: PLAT and ID: 0136

SNMP Trap ID: 41

Automatically notify Support: No

User response: Note: Each time you install or remove a DIMM, you must disconnect the server from the power source; then, wait 10 seconds before restarting the server.

1. Check the IBM support website for an applicable retain tip or firmware update that applies to this memory error.
2. Manually re-enable all affected DIMMs.
3. Swap the affected DIMMs (as indicated by the error LEDs on the system board or the event logs) to a different memory channel or microprocessor.

4. If the problem follows the DIMM, replace the failing DIMM.
5. (Trained technician only) If the problem occurs on the same DIMM connector, check the DIMM connector. If the connector contains any foreign material or is damaged, replace the system board.
6. (Trained technician only) Remove the affected microprocessor and check the microprocessor socket pins for any damaged pins. If a damage is found, replace the system board.
7. (Trained technician only) Replace the affected microprocessor.

806f030c-200cffff Scrub Failure for
[PhysicalMemoryElementName] on
Subsystem [MemoryElementName].
(DIMM 12)

Explanation: This message is for the use case when an implementation has detected a Memory Scrub failure.

Internal Event: No

Severity: Error

Alert Category: Critical - Memory

Serviceable: Yes

CIM Information: Prefix: PLAT and ID: 0136

SNMP Trap ID: 41

Automatically notify Support: No

User response: Note: Each time you install or remove a DIMM, you must disconnect the server from the power source; then, wait 10 seconds before restarting the server.

1. Check the IBM support website for an applicable retain tip or firmware update that applies to this memory error.
2. Manually re-enable all affected DIMMs.
3. Swap the affected DIMMs (as indicated by the error LEDs on the system board or the event logs) to a different memory channel or microprocessor.
4. If the problem follows the DIMM, replace the failing DIMM.
5. (Trained technician only) If the problem occurs on the same DIMM connector, check the DIMM connector. If the connector contains any foreign material or is damaged, replace the system board.
6. (Trained technician only) Remove the affected microprocessor and check the microprocessor socket pins for any damaged pins. If a damage is found, replace the system board.
7. (Trained technician only) Replace the affected microprocessor.

**806f030c-200dffff Scrub Failure for
[PhysicalMemoryElementName] on
Subsystem [MemoryElementName].
(DIMM 13)**

Explanation: This message is for the use case when an implementation has detected a Memory Scrub failure.

Internal Event: No

Severity: Error

Alert Category: Critical - Memory

Serviceable: Yes

CIM Information: Prefix: PLAT and ID: 0136

SNMP Trap ID: 41

Automatically notify Support: No

User response: Note: Each time you install or remove a DIMM, you must disconnect the server from the power source; then, wait 10 seconds before restarting the server.

1. Check the IBM support website for an applicable retain tip or firmware update that applies to this memory error.
2. Manually re-enable all affected DIMMs.
3. Swap the affected DIMMs (as indicated by the error LEDs on the system board or the event logs) to a different memory channel or microprocessor.
4. If the problem follows the DIMM, replace the failing DIMM.
5. (Trained technician only) If the problem occurs on the same DIMM connector, check the DIMM connector. If the connector contains any foreign material or is damaged, replace the system board.
6. (Trained technician only) Remove the affected microprocessor and check the microprocessor socket pins for any damaged pins. If a damage is found, replace the system board.
7. (Trained technician only) Replace the affected microprocessor.

**806f030c-200effff Scrub Failure for
[PhysicalMemoryElementName] on
Subsystem [MemoryElementName].
(DIMM 14)**

Explanation: This message is for the use case when an implementation has detected a Memory Scrub failure.

Internal Event: No

Severity: Error

Alert Category: Critical - Memory

Serviceable: Yes

CIM Information: Prefix: PLAT and ID: 0136

SNMP Trap ID: 41

Automatically notify Support: No

User response: Note: Each time you install or remove a DIMM, you must disconnect the server from the power source; then, wait 10 seconds before restarting the server.

1. Check the IBM support website for an applicable retain tip or firmware update that applies to this memory error.
2. Manually re-enable all affected DIMMs.
3. Swap the affected DIMMs (as indicated by the error LEDs on the system board or the event logs) to a different memory channel or microprocessor.
4. If the problem follows the DIMM, replace the failing DIMM.
5. (Trained technician only) If the problem occurs on the same DIMM connector, check the DIMM connector. If the connector contains any foreign material or is damaged, replace the system board.
6. (Trained technician only) Remove the affected microprocessor and check the microprocessor socket pins for any damaged pins. If a damage is found, replace the system board.
7. (Trained technician only) Replace the affected microprocessor.

**806f030c-200fffff Scrub Failure for
[PhysicalMemoryElementName] on
Subsystem [MemoryElementName].
(DIMM 15)**

Explanation: This message is for the use case when an implementation has detected a Memory Scrub failure.

Internal Event: No

Severity: Error

Alert Category: Critical - Memory

Serviceable: Yes

CIM Information: Prefix: PLAT and ID: 0136

SNMP Trap ID: 41

Automatically notify Support: No

User response: Note: Each time you install or remove a DIMM, you must disconnect the server from the power source; then, wait 10 seconds before restarting the server.

1. Check the IBM support website for an applicable retain tip or firmware update that applies to this memory error.
2. Manually re-enable all affected DIMMs.
3. Swap the affected DIMMs (as indicated by the error LEDs on the system board or the event logs) to a different memory channel or microprocessor.

4. If the problem follows the DIMM, replace the failing DIMM.
5. (Trained technician only) If the problem occurs on the same DIMM connector, check the DIMM connector. If the connector contains any foreign material or is damaged, replace the system board.
6. (Trained technician only) Remove the affected microprocessor and check the microprocessor socket pins for any damaged pins. If a damage is found, replace the system board.
7. (Trained technician only) Replace the affected microprocessor.

**806f030c-2010ffff Scrub Failure for
[PhysicalMemoryElementName] on
Subsystem [MemoryElementName].
(DIMM 16)**

Explanation: This message is for the use case when an implementation has detected a Memory Scrub failure.

Internal Event: No

Severity: Error

Alert Category: Critical - Memory

Serviceable: Yes

CIM Information: Prefix: PLAT and ID: 0136

SNMP Trap ID: 41

Automatically notify Support: No

User response: Note: Each time you install or remove a DIMM, you must disconnect the server from the power source; then, wait 10 seconds before restarting the server.

1. Check the IBM support website for an applicable retain tip or firmware update that applies to this memory error.
2. Manually re-enable all affected DIMMs.
3. Swap the affected DIMMs (as indicated by the error LEDs on the system board or the event logs) to a different memory channel or microprocessor.
4. If the problem follows the DIMM, replace the failing DIMM.
5. (Trained technician only) If the problem occurs on the same DIMM connector, check the DIMM connector. If the connector contains any foreign material or is damaged, replace the system board.
6. (Trained technician only) Remove the affected microprocessor and check the microprocessor socket pins for any damaged pins. If a damage is found, replace the system board.
7. (Trained technician only) Replace the affected microprocessor.

**806f030c-2581ffff Scrub Failure for
[PhysicalMemoryElementName] on
Subsystem [MemoryElementName]. (All
DIMMS)**

Explanation: This message is for the use case when an implementation has detected a Memory Scrub failure.

Internal Event: No

Severity: Error

Alert Category: Critical - Memory

Serviceable: Yes

CIM Information: Prefix: PLAT and ID: 0136

SNMP Trap ID: 41

Automatically notify Support: No

User response: Note: Each time you install or remove a DIMM, you must disconnect the server from the power source; then, wait 10 seconds before restarting the server.

1. Check the IBM support website for an applicable retain tip or firmware update that applies to this memory error.
2. Manually re-enable all affected DIMMs.
3. Swap the affected DIMMs (as indicated by the error LEDs on the system board or the event logs) to a different memory channel or microprocessor.
4. If the problem follows the DIMM, replace the failing DIMM.
5. (Trained technician only) If the problem occurs on the same DIMM connector, check the DIMM connector. If the connector contains any foreign material or is damaged, replace the system board.
6. (Trained technician only) Remove the affected microprocessor and check the microprocessor socket pins for any damaged pins. If a damage is found, replace the system board.
7. (Trained technician only) Replace the affected microprocessor.

**806f0313-1701ffff A software NMI has occurred on
system
[ComputerSystemElementName]. (NMI
State)**

Explanation: This message is for the use case when an implementation has detected a Software NMI.

Internal Event: No

Severity: Error

Alert Category: Critical - Other

Serviceable: Yes

CIM Information: Prefix: PLAT and ID: 0228

SNMP Trap ID: 50

Automatically notify Support: No

User response:

1. Check the device driver.
2. Reinstall the device driver.
3. Update all device drivers to the latest level.
4. Update the firmware (UEFI and IMM).

806f0322-1301ffff Computer System
[ComputerSystemElementName] is in Standby. (ACPI Power State)

Explanation: This message is for the use case when an implementation has detected a System went into Standby mode.

Internal Event: No

Severity: Info

Alert Category: System - Other

Serviceable: No

CIM Information: Prefix: PLAT and ID: 0360

SNMP Trap ID:

Automatically notify Support: No

User response: No action; information only.

806f0323-2101ffff Power cycle of system
[ComputerSystemElementName] initiated by watchdog [WatchdogElementName]. (IPMI Watchdog)

Explanation: This message is for the use case when an implementation has detected a Power Cycle by Watchdog occurred.

Internal Event: No

Severity: Info

Alert Category: System - Other

Serviceable: No

CIM Information: Prefix: PLAT and ID: 0374

SNMP Trap ID:

Automatically notify Support: No

User response: No action; information only.

806f040c-2001ffff [PhysicalMemoryElementName] Disabled on Subsystem [MemoryElementName]. (DIMM 1)

Explanation: This message is for the use case when an implementation has detected that Memory has been Disabled.

Internal Event: No

Severity: Info

Alert Category: System - Other

Serviceable: No

CIM Information: Prefix: PLAT and ID: 0131

SNMP Trap ID:

Automatically notify Support: No

User response:

1. Make sure the DIMM is installed correctly.
2. If the DIMM was disabled because of a memory fault (memory uncorrectable error or memory logging limit reached), follow the suggested actions for that error event and restart the server.
3. Check the IBM support website for an applicable retain tip or firmware update that applies to this memory event. If no memory fault is recorded in the logs and no DIMM connector error LED is lit, you can re-enable the DIMM through the Setup utility or the Advanced Settings Utility (ASU).

806f040c-2002ffff [PhysicalMemoryElementName] Disabled on Subsystem [MemoryElementName]. (DIMM 2)

Explanation: This message is for the use case when an implementation has detected that Memory has been Disabled.

Internal Event: No

Severity: Info

Alert Category: System - Other

Serviceable: No

CIM Information: Prefix: PLAT and ID: 0131

SNMP Trap ID:

Automatically notify Support: No

User response:

1. Make sure the DIMM is installed correctly.
2. If the DIMM was disabled because of a memory fault (memory uncorrectable error or memory logging limit reached), follow the suggested actions for that error event and restart the server.
3. Check the IBM support website for an applicable retain tip or firmware update that applies to this memory event. If no memory fault is recorded in the logs and no DIMM connector error LED is lit, you can re-enable the DIMM through the Setup utility or the Advanced Settings Utility (ASU).

**806f040c-2003ffff [PhysicalMemoryElementName]
Disabled on Subsystem
[MemoryElementName]. (DIMM 3)**

Explanation: This message is for the use case when an implementation has detected that Memory has been Disabled.

Internal Event: No

Severity: Info

Alert Category: System - Other

Serviceable: No

CIM Information: Prefix: PLAT and ID: 0131

SNMP Trap ID:

Automatically notify Support: No

User response:

1. Make sure the DIMM is installed correctly.
2. If the DIMM was disabled because of a memory fault (memory uncorrectable error or memory logging limit reached), follow the suggested actions for that error event and restart the server.
3. Check the IBM support website for an applicable retain tip or firmware update that applies to this memory event. If no memory fault is recorded in the logs and no DIMM connector error LED is lit, you can re-enable the DIMM through the Setup utility or the Advanced Settings Utility (ASU).

**806f040c-2004ffff [PhysicalMemoryElementName]
Disabled on Subsystem
[MemoryElementName]. (DIMM 4)**

Explanation: This message is for the use case when an implementation has detected that Memory has been Disabled.

Internal Event: No

Severity: Info

Alert Category: System - Other

Serviceable: No

CIM Information: Prefix: PLAT and ID: 0131

SNMP Trap ID:

Automatically notify Support: No

User response:

1. Make sure the DIMM is installed correctly.
2. If the DIMM was disabled because of a memory fault (memory uncorrectable error or memory logging limit reached), follow the suggested actions for that error event and restart the server.
3. Check the IBM support website for an applicable retain tip or firmware update that applies to this memory event. If no memory fault is recorded in the logs and no DIMM connector error LED is lit, you

can re-enable the DIMM through the Setup utility or the Advanced Settings Utility (ASU).

**806f040c-2005ffff [PhysicalMemoryElementName]
Disabled on Subsystem
[MemoryElementName]. (DIMM 5)**

Explanation: This message is for the use case when an implementation has detected that Memory has been Disabled.

Internal Event: No

Severity: Info

Alert Category: System - Other

Serviceable: No

CIM Information: Prefix: PLAT and ID: 0131

SNMP Trap ID:

Automatically notify Support: No

User response:

1. Make sure the DIMM is installed correctly.
2. If the DIMM was disabled because of a memory fault (memory uncorrectable error or memory logging limit reached), follow the suggested actions for that error event and restart the server.
3. Check the IBM support website for an applicable retain tip or firmware update that applies to this memory event. If no memory fault is recorded in the logs and no DIMM connector error LED is lit, you can re-enable the DIMM through the Setup utility or the Advanced Settings Utility (ASU).

**806f040c-2006ffff [PhysicalMemoryElementName]
Disabled on Subsystem
[MemoryElementName]. (DIMM 6)**

Explanation: This message is for the use case when an implementation has detected that Memory has been Disabled.

Internal Event: No

Severity: Info

Alert Category: System - Other

Serviceable: No

CIM Information: Prefix: PLAT and ID: 0131

SNMP Trap ID:

Automatically notify Support: No

User response:

1. Make sure the DIMM is installed correctly.
2. If the DIMM was disabled because of a memory fault (memory uncorrectable error or memory logging limit reached), follow the suggested actions for that error event and restart the server.

3. Check the IBM support website for an applicable retain tip or firmware update that applies to this memory event. If no memory fault is recorded in the logs and no DIMM connector error LED is lit, you can re-enable the DIMM through the Setup utility or the Advanced Settings Utility (ASU).

**806f040c-2007ffff [PhysicalMemoryElementName]
Disabled on Subsystem
[MemoryElementName]. (DIMM 7)**

Explanation: This message is for the use case when an implementation has detected that Memory has been Disabled.

Internal Event: No

Severity: Info

Alert Category: System - Other

Serviceable: No

CIM Information: Prefix: PLAT and ID: 0131

SNMP Trap ID:

Automatically notify Support: No

User response:

1. Make sure the DIMM is installed correctly.
2. If the DIMM was disabled because of a memory fault (memory uncorrectable error or memory logging limit reached), follow the suggested actions for that error event and restart the server.
3. Check the IBM support website for an applicable retain tip or firmware update that applies to this memory event. If no memory fault is recorded in the logs and no DIMM connector error LED is lit, you can re-enable the DIMM through the Setup utility or the Advanced Settings Utility (ASU).

**806f040c-2008ffff [PhysicalMemoryElementName]
Disabled on Subsystem
[MemoryElementName]. (DIMM 8)**

Explanation: This message is for the use case when an implementation has detected that Memory has been Disabled.

Internal Event: No

Severity: Info

Alert Category: System - Other

Serviceable: No

CIM Information: Prefix: PLAT and ID: 0131

SNMP Trap ID:

Automatically notify Support: No

User response:

1. Make sure the DIMM is installed correctly.

2. If the DIMM was disabled because of a memory fault (memory uncorrectable error or memory logging limit reached), follow the suggested actions for that error event and restart the server.
3. Check the IBM support website for an applicable retain tip or firmware update that applies to this memory event. If no memory fault is recorded in the logs and no DIMM connector error LED is lit, you can re-enable the DIMM through the Setup utility or the Advanced Settings Utility (ASU).

**806f040c-2009ffff [PhysicalMemoryElementName]
Disabled on Subsystem
[MemoryElementName]. (DIMM 9)**

Explanation: This message is for the use case when an implementation has detected that Memory has been Disabled.

Internal Event: No

Severity: Info

Alert Category: System - Other

Serviceable: No

CIM Information: Prefix: PLAT and ID: 0131

SNMP Trap ID:

Automatically notify Support: No

User response:

1. Make sure the DIMM is installed correctly.
2. If the DIMM was disabled because of a memory fault (memory uncorrectable error or memory logging limit reached), follow the suggested actions for that error event and restart the server.
3. Check the IBM support website for an applicable retain tip or firmware update that applies to this memory event. If no memory fault is recorded in the logs and no DIMM connector error LED is lit, you can re-enable the DIMM through the Setup utility or the Advanced Settings Utility (ASU).

**806f040c-200affff [PhysicalMemoryElementName]
Disabled on Subsystem
[MemoryElementName]. (DIMM 10)**

Explanation: This message is for the use case when an implementation has detected that Memory has been Disabled.

Internal Event: No

Severity: Info

Alert Category: System - Other

Serviceable: No

CIM Information: Prefix: PLAT and ID: 0131

SNMP Trap ID:

Automatically notify Support: No

User response:

1. Make sure the DIMM is installed correctly.
2. If the DIMM was disabled because of a memory fault (memory uncorrectable error or memory logging limit reached), follow the suggested actions for that error event and restart the server.
3. Check the IBM support website for an applicable retain tip or firmware update that applies to this memory event. If no memory fault is recorded in the logs and no DIMM connector error LED is lit, you can re-enable the DIMM through the Setup utility or the Advanced Settings Utility (ASU).

**806f040c-200bffff [PhysicalMemoryElementName]
Disabled on Subsystem
[MemoryElementName]. (DIMM 11)**

Explanation: This message is for the use case when an implementation has detected that Memory has been Disabled.

Internal Event: No

Severity: Info

Alert Category: System - Other

Serviceable: No

CIM Information: Prefix: PLAT and ID: 0131

SNMP Trap ID:

Automatically notify Support: No

User response:

1. Make sure the DIMM is installed correctly.
2. If the DIMM was disabled because of a memory fault (memory uncorrectable error or memory logging limit reached), follow the suggested actions for that error event and restart the server.
3. Check the IBM support website for an applicable retain tip or firmware update that applies to this memory event. If no memory fault is recorded in the logs and no DIMM connector error LED is lit, you can re-enable the DIMM through the Setup utility or the Advanced Settings Utility (ASU).

**806f040c-200cffff [PhysicalMemoryElementName]
Disabled on Subsystem
[MemoryElementName]. (DIMM 12)**

Explanation: This message is for the use case when an implementation has detected that Memory has been Disabled.

Internal Event: No

Severity: Info

Alert Category: System - Other

Serviceable: No

CIM Information: Prefix: PLAT and ID: 0131

SNMP Trap ID:

Automatically notify Support: No

User response:

1. Make sure the DIMM is installed correctly.
2. If the DIMM was disabled because of a memory fault (memory uncorrectable error or memory logging limit reached), follow the suggested actions for that error event and restart the server.
3. Check the IBM support website for an applicable retain tip or firmware update that applies to this memory event. If no memory fault is recorded in the logs and no DIMM connector error LED is lit, you can re-enable the DIMM through the Setup utility or the Advanced Settings Utility (ASU).

**806f040c-200dffff [PhysicalMemoryElementName]
Disabled on Subsystem
[MemoryElementName]. (DIMM 13)**

Explanation: This message is for the use case when an implementation has detected that Memory has been Disabled.

Internal Event: No

Severity: Info

Alert Category: System - Other

Serviceable: No

CIM Information: Prefix: PLAT and ID: 0131

SNMP Trap ID:

Automatically notify Support: No

User response:

1. Make sure the DIMM is installed correctly.
2. If the DIMM was disabled because of a memory fault (memory uncorrectable error or memory logging limit reached), follow the suggested actions for that error event and restart the server.
3. Check the IBM support website for an applicable retain tip or firmware update that applies to this memory event. If no memory fault is recorded in the logs and no DIMM connector error LED is lit, you can re-enable the DIMM through the Setup utility or the Advanced Settings Utility (ASU).

**806f040c-200effff [PhysicalMemoryElementName]
Disabled on Subsystem
[MemoryElementName]. (DIMM 14)**

Explanation: This message is for the use case when an implementation has detected that Memory has been Disabled.

Internal Event: No

Severity: Info

Alert Category: System - Other

806f040c-200ffff • 806f040c-2581ffff

Serviceable: No

CIM Information: Prefix: PLAT and ID: 0131

SNMP Trap ID:

Automatically notify Support: No

User response:

1. Make sure the DIMM is installed correctly.
2. If the DIMM was disabled because of a memory fault (memory uncorrectable error or memory logging limit reached), follow the suggested actions for that error event and restart the server.
3. Check the IBM support website for an applicable retain tip or firmware update that applies to this memory event. If no memory fault is recorded in the logs and no DIMM connector error LED is lit, you can re-enable the DIMM through the Setup utility or the Advanced Settings Utility (ASU).

**806f040c-200ffff [PhysicalMemoryElementName]
Disabled on Subsystem
[MemoryElementName]. (DIMM 15)**

Explanation: This message is for the use case when an implementation has detected that Memory has been Disabled.

Internal Event: No

Severity: Info

Alert Category: System - Other

Serviceable: No

CIM Information: Prefix: PLAT and ID: 0131

SNMP Trap ID:

Automatically notify Support: No

User response:

1. Make sure the DIMM is installed correctly.
2. If the DIMM was disabled because of a memory fault (memory uncorrectable error or memory logging limit reached), follow the suggested actions for that error event and restart the server.
3. Check the IBM support website for an applicable retain tip or firmware update that applies to this memory event. If no memory fault is recorded in the logs and no DIMM connector error LED is lit, you can re-enable the DIMM through the Setup utility or the Advanced Settings Utility (ASU).

**806f040c-2010ffff [PhysicalMemoryElementName]
Disabled on Subsystem
[MemoryElementName]. (DIMM 16)**

Explanation: This message is for the use case when an implementation has detected that Memory has been Disabled.

Internal Event: No

Severity: Info

Alert Category: System - Other

Serviceable: No

CIM Information: Prefix: PLAT and ID: 0131

SNMP Trap ID:

Automatically notify Support: No

User response:

1. Make sure the DIMM is installed correctly.
2. If the DIMM was disabled because of a memory fault (memory uncorrectable error or memory logging limit reached), follow the suggested actions for that error event and restart the server.
3. Check the IBM support website for an applicable retain tip or firmware update that applies to this memory event. If no memory fault is recorded in the logs and no DIMM connector error LED is lit, you can re-enable the DIMM through the Setup utility or the Advanced Settings Utility (ASU).

**806f040c-2581ffff [PhysicalMemoryElementName]
Disabled on Subsystem
[MemoryElementName]. (All DIMMS)**

Explanation: This message is for the use case when an implementation has detected that Memory has been Disabled.

Internal Event: No

Severity: Info

Alert Category: System - Other

Serviceable: No

CIM Information: Prefix: PLAT and ID: 0131

SNMP Trap ID:

Automatically notify Support: No

User response:

1. Make sure the DIMM is installed correctly.
2. If the DIMM was disabled because of a memory fault (memory uncorrectable error or memory logging limit reached), follow the suggested actions for that error event and restart the server.
3. Check the IBM support website for an applicable retain tip or firmware update that applies to this memory event. If no memory fault is recorded in the logs and no DIMM connector error LED is lit, you can re-enable the DIMM through the Setup utility or the Advanced Settings Utility (ASU).

One of the DIMMs :

806f0413-2582ffff A PCI PERR has occurred on system [ComputerSystemElementName]. (PCIs)

Explanation: This message is for the use case when an implementation has detected a PCI PERR.

Internal Event: No

Severity: Error

Alert Category: Critical - Other

Serviceable: Yes

CIM Information: Prefix: PLAT and ID: 0232

SNMP Trap ID: 50

Automatically notify Support: No

User response:

1. Check the PCI LED.
2. Reseat the affected adapters and riser cards.
3. Update the server firmware (UEFI and IMM) and adapter firmware. Important: Some cluster solutions require specific code levels or coordinated code updates. If the device is part of a cluster solution, verify that the latest level of code is supported for the cluster solution before you update the code.
4. Remove both adapters.
5. Replace the PCIe adapters.
6. Replace the riser card.

806f0507-0301ffff [ProcessorElementName] has a Configuration Mismatch. (CPU 1)

Explanation: This message is for the use case when an implementation has detected a Processor Configuration Mismatch has occurred.

Internal Event: No

Severity: Error

Alert Category: Critical - CPU

Serviceable: Yes

CIM Information: Prefix: PLAT and ID: 0062

SNMP Trap ID: 40

Automatically notify Support: No

User response:

1. Make sure that the installed microprocessors are compatible with each other.
2. (Trained technician only) Reseat microprocessor n.
3. (Trained technician only) Replace microprocessor n. (n = microprocessor number)

806f0507-0302ffff [ProcessorElementName] has a Configuration Mismatch. (CPU 2)

Explanation: This message is for the use case when an implementation has detected a Processor Configuration Mismatch has occurred.

Internal Event: No

Severity: Error

Alert Category: Critical - CPU

Serviceable: Yes

CIM Information: Prefix: PLAT and ID: 0062

SNMP Trap ID: 40

Automatically notify Support: No

User response:

1. Make sure that the installed microprocessors are compatible with each other.
2. (Trained technician only) Reseat microprocessor n.
3. (Trained technician only) Replace microprocessor n. (n = microprocessor number)

806f0507-2584ffff [ProcessorElementName] has a Configuration Mismatch. (All CPUs)

Explanation: This message is for the use case when an implementation has detected a Processor Configuration Mismatch has occurred.

Internal Event: No

Severity: Error

Alert Category: Critical - CPU

Serviceable: Yes

CIM Information: Prefix: PLAT and ID: 0062

SNMP Trap ID: 40

Automatically notify Support: No

User response:

1. Make sure that the installed microprocessors are compatible with each other.
2. (Trained technician only) Reseat microprocessor n.
3. (Trained technician only) Replace microprocessor n. (n = microprocessor number)

One of the CPUs :

806f050c-2001ffff Memory Logging Limit Reached for [PhysicalMemoryElementName] on Subsystem [MemoryElementName]. (DIMM 1)

Explanation: This message is for the use case when an implementation has detected that the Memory Logging Limit has been Reached.

Internal Event: No**Severity:** Warning**Alert Category:** Warning - Memory**Serviceable:** Yes**CIM Information:** Prefix: PLAT and ID: 0144**SNMP Trap ID:** 43**Automatically notify Support:** Yes**User response:**

1. Check the IBM support website for an applicable retain tip or firmware update that applies to this memory error.
2. Swap the affected DIMMs (as indicated by the error LEDs on the system board or the event logs) to a different memory channel or microprocessor.
3. If the problem follows the DIMM, replace the failing DIMM.
4. (Trained technician only) If the problem occurs on the same DIMM connector, check the DIMM connector. If the connector contains any foreign material or is damaged, replace the system board.
5. (Trained technician only) Remove the affected microprocessor and check the microprocessor socket pins for any damaged pins. If a damage is found, replace the system board.
6. (Trained technician only) Replace the affected microprocessor.
7. Manually re-enable all affected DIMMs if the server firmware version is older than UEFI v1.10. If the server firmware version is UEFI v1.10 or newer, disconnect and reconnect the server to the power source and restart the server.
8. (Trained Service technician only) Replace the affected microprocessor.

806f050c-2002ffff Memory Logging Limit Reached for [PhysicalMemoryElementName] on Subsystem [MemoryElementName]. (DIMM 2)
Explanation: This message is for the use case when an implementation has detected that the Memory Logging Limit has been Reached.**Internal Event:** No**Severity:** Warning**Alert Category:** Warning - Memory**Serviceable:** Yes**CIM Information:** Prefix: PLAT and ID: 0144**SNMP Trap ID:** 43**Automatically notify Support:** Yes**User response:**

1. Check the IBM support website for an applicable retain tip or firmware update that applies to this memory error.
2. Swap the affected DIMMs (as indicated by the error LEDs on the system board or the event logs) to a different memory channel or microprocessor.
3. If the problem follows the DIMM, replace the failing DIMM.
4. (Trained technician only) If the problem occurs on the same DIMM connector, check the DIMM connector. If the connector contains any foreign material or is damaged, replace the system board.
5. (Trained technician only) Remove the affected microprocessor and check the microprocessor socket pins for any damaged pins. If a damage is found, replace the system board.
6. (Trained technician only) Replace the affected microprocessor.
7. Manually re-enable all affected DIMMs if the server firmware version is older than UEFI v1.10. If the server firmware version is UEFI v1.10 or newer, disconnect and reconnect the server to the power source and restart the server.
8. (Trained Service technician only) Replace the affected microprocessor.

806f050c-2003ffff Memory Logging Limit Reached for [PhysicalMemoryElementName] on Subsystem [MemoryElementName]. (DIMM 3)
Explanation: This message is for the use case when an implementation has detected that the Memory Logging Limit has been Reached.**Internal Event:** No**Severity:** Warning**Alert Category:** Warning - Memory**Serviceable:** Yes**CIM Information:** Prefix: PLAT and ID: 0144**SNMP Trap ID:** 43**Automatically notify Support:** Yes**User response:**

1. Check the IBM support website for an applicable retain tip or firmware update that applies to this memory error.
2. Swap the affected DIMMs (as indicated by the error LEDs on the system board or the event logs) to a different memory channel or microprocessor.
3. If the problem follows the DIMM, replace the failing DIMM.
4. (Trained technician only) If the problem occurs on the same DIMM connector, check the DIMM connector. If the connector contains any foreign material or is damaged, replace the system board.

5. (Trained technician only) Remove the affected microprocessor and check the microprocessor socket pins for any damaged pins. If a damage is found, replace the system board.
6. (Trained technician only) Replace the affected microprocessor.
7. Manually re-enable all affected DIMMs if the server firmware version is older than UEFI v1.10. If the server firmware version is UEFI v1.10 or newer, disconnect and reconnect the server to the power source and restart the server.
8. (Trained Service technician only) Replace the affected microprocessor.

806f050c-2004ffff Memory Logging Limit Reached for [PhysicalMemoryElementName] on Subsystem [MemoryElementName]. (DIMM 4)

Explanation: This message is for the use case when an implementation has detected that the Memory Logging Limit has been Reached.

Internal Event: No

Severity: Warning

Alert Category: Warning - Memory

Serviceable: Yes

CIM Information: Prefix: PLAT and ID: 0144

SNMP Trap ID: 43

Automatically notify Support: Yes

User response:

1. Check the IBM support website for an applicable retain tip or firmware update that applies to this memory error.
2. Swap the affected DIMMs (as indicated by the error LEDs on the system board or the event logs) to a different memory channel or microprocessor.
3. If the problem follows the DIMM, replace the failing DIMM.
4. (Trained technician only) If the problem occurs on the same DIMM connector, check the DIMM connector. If the connector contains any foreign material or is damaged, replace the system board.
5. (Trained technician only) Remove the affected microprocessor and check the microprocessor socket pins for any damaged pins. If a damage is found, replace the system board.
6. (Trained technician only) Replace the affected microprocessor.
7. Manually re-enable all affected DIMMs if the server firmware version is older than UEFI v1.10. If the server firmware version is UEFI v1.10 or newer, disconnect and reconnect the server to the power source and restart the server.

8. (Trained Service technician only) Replace the affected microprocessor.

806f050c-2005ffff Memory Logging Limit Reached for [PhysicalMemoryElementName] on Subsystem [MemoryElementName]. (DIMM 5)

Explanation: This message is for the use case when an implementation has detected that the Memory Logging Limit has been Reached.

Internal Event: No

Severity: Warning

Alert Category: Warning - Memory

Serviceable: Yes

CIM Information: Prefix: PLAT and ID: 0144

SNMP Trap ID: 43

Automatically notify Support: Yes

User response:

1. Check the IBM support website for an applicable retain tip or firmware update that applies to this memory error.
2. Swap the affected DIMMs (as indicated by the error LEDs on the system board or the event logs) to a different memory channel or microprocessor.
3. If the problem follows the DIMM, replace the failing DIMM.
4. (Trained technician only) If the problem occurs on the same DIMM connector, check the DIMM connector. If the connector contains any foreign material or is damaged, replace the system board.
5. (Trained technician only) Remove the affected microprocessor and check the microprocessor socket pins for any damaged pins. If a damage is found, replace the system board.
6. (Trained technician only) Replace the affected microprocessor.
7. Manually re-enable all affected DIMMs if the server firmware version is older than UEFI v1.10. If the server firmware version is UEFI v1.10 or newer, disconnect and reconnect the server to the power source and restart the server.
8. (Trained Service technician only) Replace the affected microprocessor.

806f050c-2006ffff Memory Logging Limit Reached for [PhysicalMemoryElementName] on Subsystem [MemoryElementName]. (DIMM 6)

Explanation: This message is for the use case when an implementation has detected that the Memory Logging Limit has been Reached.

Internal Event: No

Severity: Warning**Alert Category:** Warning - Memory**Serviceable:** Yes**CIM Information:** Prefix: PLAT and ID: 0144**SNMP Trap ID:** 43**Automatically notify Support:** Yes**User response:**

1. Check the IBM support website for an applicable retain tip or firmware update that applies to this memory error.
2. Swap the affected DIMMs (as indicated by the error LEDs on the system board or the event logs) to a different memory channel or microprocessor.
3. If the problem follows the DIMM, replace the failing DIMM.
4. (Trained technician only) If the problem occurs on the same DIMM connector, check the DIMM connector. If the connector contains any foreign material or is damaged, replace the system board.
5. (Trained technician only) Remove the affected microprocessor and check the microprocessor socket pins for any damaged pins. If a damage is found, replace the system board.
6. (Trained technician only) Replace the affected microprocessor.
7. Manually re-enable all affected DIMMs if the server firmware version is older than UEFI v1.10. If the server firmware version is UEFI v1.10 or newer, disconnect and reconnect the server to the power source and restart the server.
8. (Trained Service technician only) Replace the affected microprocessor.

806f050c-2007ffff Memory Logging Limit Reached for [PhysicalMemoryElementName] on Subsystem [MemoryElementName]. (DIMM 7)
Explanation: This message is for the use case when an implementation has detected that the Memory Logging Limit has been Reached.**Internal Event:** No**Severity:** Warning**Alert Category:** Warning - Memory**Serviceable:** Yes**CIM Information:** Prefix: PLAT and ID: 0144**SNMP Trap ID:** 43**Automatically notify Support:** Yes**User response:**

1. Check the IBM support website for an applicable retain tip or firmware update that applies to this memory error.
2. Swap the affected DIMMs (as indicated by the error LEDs on the system board or the event logs) to a different memory channel or microprocessor.
3. If the problem follows the DIMM, replace the failing DIMM.
4. (Trained technician only) If the problem occurs on the same DIMM connector, check the DIMM connector. If the connector contains any foreign material or is damaged, replace the system board.
5. (Trained technician only) Remove the affected microprocessor and check the microprocessor socket pins for any damaged pins. If a damage is found, replace the system board.
6. (Trained technician only) Replace the affected microprocessor.
7. Manually re-enable all affected DIMMs if the server firmware version is older than UEFI v1.10. If the server firmware version is UEFI v1.10 or newer, disconnect and reconnect the server to the power source and restart the server.
8. (Trained Service technician only) Replace the affected microprocessor.

806f050c-2008ffff Memory Logging Limit Reached for [PhysicalMemoryElementName] on Subsystem [MemoryElementName]. (DIMM 8)
Explanation: This message is for the use case when an implementation has detected that the Memory Logging Limit has been Reached.**Internal Event:** No**Severity:** Warning**Alert Category:** Warning - Memory**Serviceable:** Yes**CIM Information:** Prefix: PLAT and ID: 0144**SNMP Trap ID:** 43**Automatically notify Support:** Yes**User response:**

1. Check the IBM support website for an applicable retain tip or firmware update that applies to this memory error.
2. Swap the affected DIMMs (as indicated by the error LEDs on the system board or the event logs) to a different memory channel or microprocessor.
3. If the problem follows the DIMM, replace the failing DIMM.
4. (Trained technician only) If the problem occurs on the same DIMM connector, check the DIMM connector. If the connector contains any foreign material or is damaged, replace the system board.

5. (Trained technician only) Remove the affected microprocessor and check the microprocessor socket pins for any damaged pins. If a damage is found, replace the system board.
6. (Trained technician only) Replace the affected microprocessor.
7. Manually re-enable all affected DIMMs if the server firmware version is older than UEFI v1.10. If the server firmware version is UEFI v1.10 or newer, disconnect and reconnect the server to the power source and restart the server.
8. (Trained Service technician only) Replace the affected microprocessor.

806f050c-2009ffff Memory Logging Limit Reached for [PhysicalMemoryElementName] on Subsystem [MemoryElementName]. (DIMM 9)

Explanation: This message is for the use case when an implementation has detected that the Memory Logging Limit has been Reached.

Internal Event: No

Severity: Warning

Alert Category: Warning - Memory

Serviceable: Yes

CIM Information: Prefix: PLAT and ID: 0144

SNMP Trap ID: 43

Automatically notify Support: Yes

User response:

1. Check the IBM support website for an applicable retain tip or firmware update that applies to this memory error.
2. Swap the affected DIMMs (as indicated by the error LEDs on the system board or the event logs) to a different memory channel or microprocessor.
3. If the problem follows the DIMM, replace the failing DIMM.
4. (Trained technician only) If the problem occurs on the same DIMM connector, check the DIMM connector. If the connector contains any foreign material or is damaged, replace the system board.
5. (Trained technician only) Remove the affected microprocessor and check the microprocessor socket pins for any damaged pins. If a damage is found, replace the system board.
6. (Trained technician only) Replace the affected microprocessor.
7. Manually re-enable all affected DIMMs if the server firmware version is older than UEFI v1.10. If the server firmware version is UEFI v1.10 or newer, disconnect and reconnect the server to the power source and restart the server.

8. (Trained Service technician only) Replace the affected microprocessor.

806f050c-200affff Memory Logging Limit Reached for [PhysicalMemoryElementName] on Subsystem [MemoryElementName]. (DIMM 10)

Explanation: This message is for the use case when an implementation has detected that the Memory Logging Limit has been Reached.

Internal Event: No

Severity: Warning

Alert Category: Warning - Memory

Serviceable: Yes

CIM Information: Prefix: PLAT and ID: 0144

SNMP Trap ID: 43

Automatically notify Support: Yes

User response:

1. Check the IBM support website for an applicable retain tip or firmware update that applies to this memory error.
2. Swap the affected DIMMs (as indicated by the error LEDs on the system board or the event logs) to a different memory channel or microprocessor.
3. If the problem follows the DIMM, replace the failing DIMM.
4. (Trained technician only) If the problem occurs on the same DIMM connector, check the DIMM connector. If the connector contains any foreign material or is damaged, replace the system board.
5. (Trained technician only) Remove the affected microprocessor and check the microprocessor socket pins for any damaged pins. If a damage is found, replace the system board.
6. (Trained technician only) Replace the affected microprocessor.
7. Manually re-enable all affected DIMMs if the server firmware version is older than UEFI v1.10. If the server firmware version is UEFI v1.10 or newer, disconnect and reconnect the server to the power source and restart the server.
8. (Trained Service technician only) Replace the affected microprocessor.

806f050c-200bffff Memory Logging Limit Reached for [PhysicalMemoryElementName] on Subsystem [MemoryElementName]. (DIMM 11)

Explanation: This message is for the use case when an implementation has detected that the Memory Logging Limit has been Reached.

Internal Event: No

806f050c-200cffff • 806f050c-200dffff

Severity: Warning

Alert Category: Warning - Memory

Serviceable: Yes

CIM Information: Prefix: PLAT and ID: 0144

SNMP Trap ID: 43

Automatically notify Support: Yes

User response:

1. Check the IBM support website for an applicable retain tip or firmware update that applies to this memory error.
2. Swap the affected DIMMs (as indicated by the error LEDs on the system board or the event logs) to a different memory channel or microprocessor.
3. If the problem follows the DIMM, replace the failing DIMM.
4. (Trained technician only) If the problem occurs on the same DIMM connector, check the DIMM connector. If the connector contains any foreign material or is damaged, replace the system board.
5. (Trained technician only) Remove the affected microprocessor and check the microprocessor socket pins for any damaged pins. If a damage is found, replace the system board.
6. (Trained technician only) Replace the affected microprocessor.
7. Manually re-enable all affected DIMMs if the server firmware version is older than UEFI v1.10. If the server firmware version is UEFI v1.10 or newer, disconnect and reconnect the server to the power source and restart the server.
8. (Trained Service technician only) Replace the affected microprocessor.

806f050c-200cffff Memory Logging Limit Reached for [PhysicalMemoryElementName] on Subsystem [MemoryElementName]. (DIMM 12)

Explanation: This message is for the use case when an implementation has detected that the Memory Logging Limit has been Reached.

Internal Event: No

Severity: Warning

Alert Category: Warning - Memory

Serviceable: Yes

CIM Information: Prefix: PLAT and ID: 0144

SNMP Trap ID: 43

Automatically notify Support: Yes

User response:

1. Check the IBM support website for an applicable retain tip or firmware update that applies to this memory error.
2. Swap the affected DIMMs (as indicated by the error LEDs on the system board or the event logs) to a different memory channel or microprocessor.
3. If the problem follows the DIMM, replace the failing DIMM.
4. (Trained technician only) If the problem occurs on the same DIMM connector, check the DIMM connector. If the connector contains any foreign material or is damaged, replace the system board.
5. (Trained technician only) Remove the affected microprocessor and check the microprocessor socket pins for any damaged pins. If a damage is found, replace the system board.
6. (Trained technician only) Replace the affected microprocessor.
7. Manually re-enable all affected DIMMs if the server firmware version is older than UEFI v1.10. If the server firmware version is UEFI v1.10 or newer, disconnect and reconnect the server to the power source and restart the server.
8. (Trained Service technician only) Replace the affected microprocessor.

806f050c-200dffff Memory Logging Limit Reached for [PhysicalMemoryElementName] on Subsystem [MemoryElementName]. (DIMM 13)

Explanation: This message is for the use case when an implementation has detected that the Memory Logging Limit has been Reached.

Internal Event: No

Severity: Warning

Alert Category: Warning - Memory

Serviceable: Yes

CIM Information: Prefix: PLAT and ID: 0144

SNMP Trap ID: 43

Automatically notify Support: Yes

User response:

1. Check the IBM support website for an applicable retain tip or firmware update that applies to this memory error.
2. Swap the affected DIMMs (as indicated by the error LEDs on the system board or the event logs) to a different memory channel or microprocessor.
3. If the problem follows the DIMM, replace the failing DIMM.
4. (Trained technician only) If the problem occurs on the same DIMM connector, check the DIMM connector. If the connector contains any foreign material or is damaged, replace the system board.

5. (Trained technician only) Remove the affected microprocessor and check the microprocessor socket pins for any damaged pins. If a damage is found, replace the system board.
6. (Trained technician only) Replace the affected microprocessor.
7. Manually re-enable all affected DIMMs if the server firmware version is older than UEFI v1.10. If the server firmware version is UEFI v1.10 or newer, disconnect and reconnect the server to the power source and restart the server.
8. (Trained Service technician only) Replace the affected microprocessor.

806f050c-200effff Memory Logging Limit Reached for [PhysicalMemoryElementName] on Subsystem [MemoryElementName]. (DIMM 14)

Explanation: This message is for the use case when an implementation has detected that the Memory Logging Limit has been Reached.

Internal Event: No

Severity: Warning

Alert Category: Warning - Memory

Serviceable: Yes

CIM Information: Prefix: PLAT and ID: 0144

SNMP Trap ID: 43

Automatically notify Support: Yes

User response:

1. Check the IBM support website for an applicable retain tip or firmware update that applies to this memory error.
2. Swap the affected DIMMs (as indicated by the error LEDs on the system board or the event logs) to a different memory channel or microprocessor.
3. If the problem follows the DIMM, replace the failing DIMM.
4. (Trained technician only) If the problem occurs on the same DIMM connector, check the DIMM connector. If the connector contains any foreign material or is damaged, replace the system board.
5. (Trained technician only) Remove the affected microprocessor and check the microprocessor socket pins for any damaged pins. If a damage is found, replace the system board.
6. (Trained technician only) Replace the affected microprocessor.
7. Manually re-enable all affected DIMMs if the server firmware version is older than UEFI v1.10. If the server firmware version is UEFI v1.10 or newer, disconnect and reconnect the server to the power source and restart the server.

8. (Trained Service technician only) Replace the affected microprocessor.

806f050c-200fffff Memory Logging Limit Reached for [PhysicalMemoryElementName] on Subsystem [MemoryElementName]. (DIMM 15)

Explanation: This message is for the use case when an implementation has detected that the Memory Logging Limit has been Reached.

Internal Event: No

Severity: Warning

Alert Category: Warning - Memory

Serviceable: Yes

CIM Information: Prefix: PLAT and ID: 0144

SNMP Trap ID: 43

Automatically notify Support: Yes

User response:

1. Check the IBM support website for an applicable retain tip or firmware update that applies to this memory error.
2. Swap the affected DIMMs (as indicated by the error LEDs on the system board or the event logs) to a different memory channel or microprocessor.
3. If the problem follows the DIMM, replace the failing DIMM.
4. (Trained technician only) If the problem occurs on the same DIMM connector, check the DIMM connector. If the connector contains any foreign material or is damaged, replace the system board.
5. (Trained technician only) Remove the affected microprocessor and check the microprocessor socket pins for any damaged pins. If a damage is found, replace the system board.
6. (Trained technician only) Replace the affected microprocessor.
7. Manually re-enable all affected DIMMs if the server firmware version is older than UEFI v1.10. If the server firmware version is UEFI v1.10 or newer, disconnect and reconnect the server to the power source and restart the server.
8. (Trained Service technician only) Replace the affected microprocessor.

806f050c-2010ffff Memory Logging Limit Reached for [PhysicalMemoryElementName] on Subsystem [MemoryElementName]. (DIMM 16)

Explanation: This message is for the use case when an implementation has detected that the Memory Logging Limit has been Reached.

Internal Event: No

806f050c-2581ffff • 806f0513-2582ffff

Severity: Warning

Alert Category: Warning - Memory

Serviceable: Yes

CIM Information: Prefix: PLAT and ID: 0144

SNMP Trap ID: 43

Automatically notify Support: Yes

User response:

1. Check the IBM support website for an applicable retain tip or firmware update that applies to this memory error.
2. Swap the affected DIMMs (as indicated by the error LEDs on the system board or the event logs) to a different memory channel or microprocessor.
3. If the problem follows the DIMM, replace the failing DIMM.
4. (Trained technician only) If the problem occurs on the same DIMM connector, check the DIMM connector. If the connector contains any foreign material or is damaged, replace the system board.
5. (Trained technician only) Remove the affected microprocessor and check the microprocessor socket pins for any damaged pins. If a damage is found, replace the system board.
6. (Trained technician only) Replace the affected microprocessor.
7. Manually re-enable all affected DIMMs if the server firmware version is older than UEFI v1.10. If the server firmware version is UEFI v1.10 or newer, disconnect and reconnect the server to the power source and restart the server.
8. (Trained Service technician only) Replace the affected microprocessor.

806f050c-2581ffff Memory Logging Limit Reached for [PhysicalMemoryElementName] on Subsystem [MemoryElementName]. (All DIMMS)

Explanation: This message is for the use case when an implementation has detected that the Memory Logging Limit has been Reached.

Internal Event: No

Severity: Warning

Alert Category: Warning - Memory

Serviceable: Yes

CIM Information: Prefix: PLAT and ID: 0144

SNMP Trap ID: 43

Automatically notify Support: Yes

User response:

1. Check the IBM support website for an applicable retain tip or firmware update that applies to this memory error.
2. Swap the affected DIMMs (as indicated by the error LEDs on the system board or the event logs) to a different memory channel or microprocessor.
3. If the problem follows the DIMM, replace the failing DIMM.
4. (Trained technician only) If the problem occurs on the same DIMM connector, check the DIMM connector. If the connector contains any foreign material or is damaged, replace the system board.
5. (Trained technician only) Remove the affected microprocessor and check the microprocessor socket pins for any damaged pins. If a damage is found, replace the system board.
6. (Trained technician only) Replace the affected microprocessor.
7. Manually re-enable all affected DIMMs if the server firmware version is older than UEFI v1.10. If the server firmware version is UEFI v1.10 or newer, disconnect and reconnect the server to the power source and restart the server.
8. (Trained Service technician only) Replace the affected microprocessor.

One of the DIMMs :

806f0513-2582ffff A PCI SERR has occurred on system [ComputerSystemElementName]. (PCIs)

Explanation: This message is for the use case when an implementation has detected a PCI SERR.

Internal Event: No

Severity: Error

Alert Category: Critical - Other

Serviceable: Yes

CIM Information: Prefix: PLAT and ID: 0234

SNMP Trap ID: 50

Automatically notify Support: No

User response:

1. Check the PCI LED.
2. Reseat the affected adapters and riser card.
3. Update the server firmware (UEFI and IMM) and adapter firmware. Important: Some cluster solutions require specific code levels or coordinated code updates. If the device is part of a cluster solution, verify that the latest level of code is supported for the cluster solution before you update the code.

4. Make sure that the adapter is supported. For a list of supported optional devices, see <http://www.ibm.com/systems/info/x86servers/serverproven/compat/us/>.
5. Remove both adapters.
6. Replace the PCIe adapters.
7. Replace the riser card.

806f052b-2101ffff Invalid or Unsupported firmware or software was detected on system [ComputerSystemElementName]. (IMM2 FW Failover)

Explanation: This message is for the use case when an implementation has detected an Invalid/Unsupported Firmware/Software Version.

Internal Event: No

Severity: Error

Alert Category: Critical - Other

Serviceable: Yes

CIM Information: Prefix: PLAT and ID: 0446

SNMP Trap ID: 50

Automatically notify Support: No

User response:

1. Make sure the server meets the minimum configuration to start (see Power-supply LEDs).
2. Recover the server firmware from the backup page by restarting the server.
3. Update the server firmware to the latest level (see Updating the firmware). Important: Some cluster solutions require specific code levels or coordinated code updates. If the device is part of a cluster solution, verify that the latest level of code is supported for the cluster solution before you update the code.
4. Remove components one at a time, restarting the server each time, to see if the problem goes away.
5. If the problem remains, (trained service technician) replace the system board.

806f0607-0301ffff An SM BIOS Uncorrectable CPU complex error for [ProcessorElementName] has asserted. (CPU 1)

Explanation: This message is for the use case when an SM BIOS Uncorrectable CPU complex error has asserted.

Internal Event: No

Severity: Error

Alert Category: Critical - CPU

Serviceable: Yes

CIM Information: Prefix: PLAT and ID: 0816

SNMP Trap ID: 40

Automatically notify Support: No

User response:

1. Update the latest level of system firmware and device drivers are installed for all adapters and standard devices, such as UEFI, IMM Ethernet, and SAS. Important: Some cluster solutions require specific code levels or coordinated code updates. If the device is part of a cluster solution, verify that the latest level of code is supported for the cluster solution before you update the code.
2. Run the DSA program.
3. Reseat the adapter.
4. Replace the adapter.
5. (Trained technician only) Replace microprocessor n. (n = microprocessor number)
6. (Trained technician only) Replace the system board.

806f0607-0302ffff An SM BIOS Uncorrectable CPU complex error for [ProcessorElementName] has asserted. (CPU 2)

Explanation: This message is for the use case when an SM BIOS Uncorrectable CPU complex error has asserted.

Internal Event: No

Severity: Error

Alert Category: Critical - CPU

Serviceable: Yes

CIM Information: Prefix: PLAT and ID: 0816

SNMP Trap ID: 40

Automatically notify Support: No

User response:

1. Update the latest level of system firmware and device drivers are installed for all adapters and standard devices, such as UEFI, IMM Ethernet, and SAS. Important: Some cluster solutions require specific code levels or coordinated code updates. If the device is part of a cluster solution, verify that the latest level of code is supported for the cluster solution before you update the code.
2. Run the DSA program.
3. Reseat the adapter.
4. Replace the adapter.
5. (Trained technician only) Replace microprocessor n. (n = microprocessor number)
6. (Trained technician only) Replace the system board.

806f0607-2584ffff An SM BIOS Uncorrectable CPU complex error for [ProcessorElementName] has asserted. (All CPUs)

Explanation: This message is for the use case when an SM BIOS Uncorrectable CPU complex error has asserted.

Internal Event: No

Severity: Error

Alert Category: Critical - CPU

Serviceable: Yes

CIM Information: Prefix: PLAT and ID: 0816

SNMP Trap ID: 40

Automatically notify Support: No

User response:

1. Update the latest level of system firmware and device drivers are installed for all adapters and standard devices, such as UEFI, IMM Ethernet, and SAS. Important: Some cluster solutions require specific code levels or coordinated code updates. If the device is part of a cluster solution, verify that the latest level of code is supported for the cluster solution before you update the code.
2. Run the DSA program.
3. Reseat the adapter.
4. Replace the adapter.
5. (Trained technician only) Replace microprocessor n. (n = microprocessor number)
6. (Trained technician only) Replace the system board.

One of the CPUs :

806f0608-1301ffff [PowerSupplyElementName] has a Configuration Mismatch. (PS Configuration)

Explanation: This message is for the use case when an implementation has detected a Power Supply with a Configuration Error.

Internal Event: No

Severity: Error

Alert Category: Critical - Power

Serviceable: Yes

CIM Information: Prefix: PLAT and ID: 0104

SNMP Trap ID: 4

Automatically notify Support: No

User response:

1. Make sure that the power supplies installed are with the same rating or wattage.
2. Reinstall the power supplies with the same rating or wattage.

806f070c-2001ffff Configuration Error for [PhysicalMemoryElementName] on Subsystem [MemoryElementName]. (DIMM 1)

Explanation: This message is for the use case when an implementation has detected a Memory DIMM configuration error has been corrected.

Internal Event: No

Severity: Error

Alert Category: Critical - Memory

Serviceable: Yes

CIM Information: Prefix: PLAT and ID: 0126

SNMP Trap ID: 41

Automatically notify Support: No

User response: Make sure that DIMMs are installed and following the memory population chart in the system publication.

806f070c-2002ffff Configuration Error for [PhysicalMemoryElementName] on Subsystem [MemoryElementName]. (DIMM 2)

Explanation: This message is for the use case when an implementation has detected a Memory DIMM configuration error has been corrected.

Internal Event: No

Severity: Error

Alert Category: Critical - Memory

Serviceable: Yes

CIM Information: Prefix: PLAT and ID: 0126

SNMP Trap ID: 41

Automatically notify Support: No

User response: Make sure that DIMMs are installed and following the memory population chart in the system publication.

806f070c-2003ffff Configuration Error for [PhysicalMemoryElementName] on Subsystem [MemoryElementName]. (DIMM 3)

Explanation: This message is for the use case when an implementation has detected a Memory DIMM configuration error has been corrected.

Internal Event: No

Severity: Error

Alert Category: Critical - Memory

Serviceable: Yes

CIM Information: Prefix: PLAT and ID: 0126

SNMP Trap ID: 41

Automatically notify Support: No

User response: Make sure that DIMMs are installed and following the memory population chart in the system publication.

806f070c-2004ffff Configuration Error for [PhysicalMemoryElementName] on Subsystem [MemoryElementName]. (DIMM 4)

Explanation: This message is for the use case when an implementation has detected a Memory DIMM configuration error has been corrected.

Internal Event: No

Severity: Error

Alert Category: Critical - Memory

Serviceable: Yes

CIM Information: Prefix: PLAT and ID: 0126

SNMP Trap ID: 41

Automatically notify Support: No

User response: Make sure that DIMMs are installed and following the memory population chart in the system publication.

806f070c-2005ffff Configuration Error for [PhysicalMemoryElementName] on Subsystem [MemoryElementName]. (DIMM 5)

Explanation: This message is for the use case when an implementation has detected a Memory DIMM configuration error has been corrected.

Internal Event: No

Severity: Error

Alert Category: Critical - Memory

Serviceable: Yes

CIM Information: Prefix: PLAT and ID: 0126

SNMP Trap ID: 41

Automatically notify Support: No

User response: Make sure that DIMMs are installed and following the memory population chart in the system publication.

806f070c-2006ffff Configuration Error for [PhysicalMemoryElementName] on Subsystem [MemoryElementName]. (DIMM 6)

Explanation: This message is for the use case when an implementation has detected a Memory DIMM configuration error has been corrected.

Internal Event: No

Severity: Error

Alert Category: Critical - Memory

Serviceable: Yes

CIM Information: Prefix: PLAT and ID: 0126

SNMP Trap ID: 41

Automatically notify Support: No

User response: Make sure that DIMMs are installed and following the memory population chart in the system publication.

806f070c-2007ffff Configuration Error for [PhysicalMemoryElementName] on Subsystem [MemoryElementName]. (DIMM 7)

Explanation: This message is for the use case when an implementation has detected a Memory DIMM configuration error has been corrected.

Internal Event: No

Severity: Error

Alert Category: Critical - Memory

Serviceable: Yes

CIM Information: Prefix: PLAT and ID: 0126

SNMP Trap ID: 41

Automatically notify Support: No

User response: Make sure that DIMMs are installed and following the memory population chart in the system publication.

806f070c-2008ffff Configuration Error for [PhysicalMemoryElementName] on Subsystem [MemoryElementName]. (DIMM 8)

Explanation: This message is for the use case when an implementation has detected a Memory DIMM configuration error has been corrected.

Internal Event: No

Severity: Error

Alert Category: Critical - Memory

Serviceable: Yes

806f070c-2009ffff • 806f070c-200dffff

CIM Information: Prefix: PLAT and ID: 0126

SNMP Trap ID: 41

Automatically notify Support: No

User response: Make sure that DIMMs are installed and following the memory population chart in the system publication.

806f070c-2009ffff Configuration Error for [PhysicalMemoryElementName] on Subsystem [MemoryElementName]. (DIMM 9)

Explanation: This message is for the use case when an implementation has detected a Memory DIMM configuration error has been corrected.

Internal Event: No

Severity: Error

Alert Category: Critical - Memory

Serviceable: Yes

CIM Information: Prefix: PLAT and ID: 0126

SNMP Trap ID: 41

Automatically notify Support: No

User response: Make sure that DIMMs are installed and following the memory population chart in the system publication.

806f070c-200affff Configuration Error for [PhysicalMemoryElementName] on Subsystem [MemoryElementName]. (DIMM 10)

Explanation: This message is for the use case when an implementation has detected a Memory DIMM configuration error has been corrected.

Internal Event: No

Severity: Error

Alert Category: Critical - Memory

Serviceable: Yes

CIM Information: Prefix: PLAT and ID: 0126

SNMP Trap ID: 41

Automatically notify Support: No

User response: Make sure that DIMMs are installed and following the memory population chart in the system publication.

806f070c-200bffff Configuration Error for [PhysicalMemoryElementName] on Subsystem [MemoryElementName]. (DIMM 11)

Explanation: This message is for the use case when an implementation has detected a Memory DIMM configuration error has been corrected.

Internal Event: No

Severity: Error

Alert Category: Critical - Memory

Serviceable: Yes

CIM Information: Prefix: PLAT and ID: 0126

SNMP Trap ID: 41

Automatically notify Support: No

User response: Make sure that DIMMs are installed and following the memory population chart in the system publication.

806f070c-200cffff Configuration Error for [PhysicalMemoryElementName] on Subsystem [MemoryElementName]. (DIMM 12)

Explanation: This message is for the use case when an implementation has detected a Memory DIMM configuration error has been corrected.

Internal Event: No

Severity: Error

Alert Category: Critical - Memory

Serviceable: Yes

CIM Information: Prefix: PLAT and ID: 0126

SNMP Trap ID: 41

Automatically notify Support: No

User response: Make sure that DIMMs are installed and following the memory population chart in the system publication.

806f070c-200dffff Configuration Error for [PhysicalMemoryElementName] on Subsystem [MemoryElementName]. (DIMM 13)

Explanation: This message is for the use case when an implementation has detected a Memory DIMM configuration error has been corrected.

Internal Event: No

Severity: Error

Alert Category: Critical - Memory

Serviceable: Yes

CIM Information: Prefix: PLAT and ID: 0126

SNMP Trap ID: 41

Automatically notify Support: No

User response: Make sure that DIMMs are installed and following the memory population chart in the system publication.

806f070c-200effff Configuration Error for [PhysicalMemoryElementName] on Subsystem [MemoryElementName]. (DIMM 14)

Explanation: This message is for the use case when an implementation has detected a Memory DIMM configuration error has been corrected.

Internal Event: No

Severity: Error

Alert Category: Critical - Memory

Serviceable: Yes

CIM Information: Prefix: PLAT and ID: 0126

SNMP Trap ID: 41

Automatically notify Support: No

User response: Make sure that DIMMs are installed and following the memory population chart in the system publication.

806f070c-200ffff Configuration Error for [PhysicalMemoryElementName] on Subsystem [MemoryElementName]. (DIMM 15)

Explanation: This message is for the use case when an implementation has detected a Memory DIMM configuration error has been corrected.

Internal Event: No

Severity: Error

Alert Category: Critical - Memory

Serviceable: Yes

CIM Information: Prefix: PLAT and ID: 0126

SNMP Trap ID: 41

Automatically notify Support: No

User response: Make sure that DIMMs are installed and following the memory population chart in the system publication.

806f070c-2010ffff Configuration Error for [PhysicalMemoryElementName] on Subsystem [MemoryElementName]. (DIMM 16)

Explanation: This message is for the use case when an implementation has detected a Memory DIMM configuration error has been corrected.

Internal Event: No

Severity: Error

Alert Category: Critical - Memory

Serviceable: Yes

CIM Information: Prefix: PLAT and ID: 0126

SNMP Trap ID: 41

Automatically notify Support: No

User response: Make sure that DIMMs are installed and following the memory population chart in the system publication.

806f070c-2581ffff Configuration Error for [PhysicalMemoryElementName] on Subsystem [MemoryElementName]. (All DIMMS)

Explanation: This message is for the use case when an implementation has detected a Memory DIMM configuration error has been corrected.

Internal Event: No

Severity: Error

Alert Category: Critical - Memory

Serviceable: Yes

CIM Information: Prefix: PLAT and ID: 0126

SNMP Trap ID: 41

Automatically notify Support: No

User response: Make sure that DIMMs are installed and following the memory population chart in the system publication. One of the DIMMs :

806f072b-2101ffff A successful software or firmware change was detected on system [ComputerSystemElementName]. (IMM Promotion)

Explanation: This message is for the use case when an implementation has detected a Successful Software or Firmware Change.

Internal Event: No

Severity: Info

Alert Category: System - Other

Serviceable: No

CIM Information: Prefix: PLAT and ID: 0450

SNMP Trap ID:

Automatically notify Support: No

User response: No action; information only. IMM Recovery :

806f072b-2201ffff A successful software or firmware change was detected on system [ComputerSystemElementName]. (Bkup Auto Update)

Explanation: This message is for the use case when an implementation has detected a Successful Software or Firmware Change.

Internal Event: No

Severity: Info

Alert Category: System - Other

Serviceable: No

CIM Information: Prefix: PLAT and ID: 0450

SNMP Trap ID:

Automatically notify Support: No

User response: No action; information only. ROM Recovery :

806f0807-0301ffff [ProcessorElementName] has been Disabled. (CPU 1)

Explanation: This message is for the use case when an implementation has detected a Processor has been Disabled.

Internal Event: No

Severity: Info

Alert Category: System - Other

Serviceable: No

CIM Information: Prefix: PLAT and ID: 0061

SNMP Trap ID:

Automatically notify Support: No

User response: No action; information only.

806f0807-0302ffff [ProcessorElementName] has been Disabled. (CPU 2)

Explanation: This message is for the use case when an implementation has detected a Processor has been Disabled.

Internal Event: No

Severity: Info

Alert Category: System - Other

Serviceable: No

CIM Information: Prefix: PLAT and ID: 0061

SNMP Trap ID:

Automatically notify Support: No

User response: No action; information only.

806f0807-2584ffff [ProcessorElementName] has been Disabled. (All CPUs)

Explanation: This message is for the use case when an implementation has detected a Processor has been Disabled.

Internal Event: No

Severity: Info

Alert Category: System - Other

Serviceable: No

CIM Information: Prefix: PLAT and ID: 0061

SNMP Trap ID:

Automatically notify Support: No

User response: No action; information only. One of the CPUs :

806f0813-2581ffff A Uncorrectable Bus Error has occurred on system [ComputerSystemElementName]. (DIMMs)

Explanation: This message is for the use case when an implementation has detected a Bus Uncorrectable Error.

Internal Event: No

Severity: Error

Alert Category: Critical - Other

Serviceable: Yes

CIM Information: Prefix: PLAT and ID: 0240

SNMP Trap ID: 50

Automatically notify Support: Yes

User response:

1. Check the system-event log.
 2. Check the DIMM error LEDs.
 3. Remove the failing DIMM from the system board.
 4. Check for a server firmware update. Important: Some cluster solutions require specific code levels or coordinated code updates. If the device is part of a cluster solution, verify that the latest level of code is supported for the cluster solution before you update the code.
 5. Make sure that the installed DIMMs are supported and configured correctly.
 6. (Trained technician only) Replace the system board.
-

806f0813-2582ffff A Uncorrectable Bus Error has occurred on system [ComputerSystemElementName]. (PCIs)

Explanation: This message is for the use case when an implementation has detected a Bus Uncorrectable Error.

Internal Event: No

Severity: Error

Alert Category: Critical - Other

Serviceable: Yes

CIM Information: Prefix: PLAT and ID: 0240

SNMP Trap ID: 50

Automatically notify Support: Yes

User response:

1. Check the system-event log.
2. Check the PCI LED.
3. Remove the adapter from the indicated PCI slot.
4. Check for a server firmware update. Important: Some cluster solutions require specific code levels or coordinated code updates. If the device is part of a cluster solution, verify that the latest level of code is supported for the cluster solution before you update the code.
5. (Trained technician only) Replace the system board.

806f0813-2584ffff A Uncorrectable Bus Error has occurred on system [ComputerSystemElementName]. (CPUs)

Explanation: This message is for the use case when an implementation has detected a Bus Uncorrectable Error.

Internal Event: No

Severity: Error

Alert Category: Critical - Other

Serviceable: Yes

CIM Information: Prefix: PLAT and ID: 0240

SNMP Trap ID: 50

Automatically notify Support: Yes

User response:

1. Check the system-event log.
2. (Trained technician only) Remove the failing microprocessor from the system board (see Removing a microprocessor and heat sink).
3. Check for a server firmware update. Important: Some cluster solutions require specific code levels

or coordinated code updates. If the device is part of a cluster solution, verify that the latest level of code is supported for the cluster solution before you update the code.

4. Make sure that the two microprocessors are matching.
5. (Trained technician only) Replace the system board.

806f0823-2101ffff Watchdog Timer interrupt occurred for [WatchdogElementName]. (IPMI Watchdog)

Explanation: This message is for the use case when an implementation has detected a Watchdog Timer interrupt occurred.

Internal Event: No

Severity: Info

Alert Category: System - Other

Serviceable: No

CIM Information: Prefix: PLAT and ID: 0376

SNMP Trap ID:

Automatically notify Support: No

User response: No action; information only.

806f090c-2001ffff [PhysicalMemoryElementName] on Subsystem [MemoryElementName] Throttled. (DIMM 1)

Explanation: This message is for the use case when an implementation has detected Memory has been Throttled.

Internal Event: No

Severity: Warning

Alert Category: System - Other

Serviceable: Yes

CIM Information: Prefix: PLAT and ID: 0142

SNMP Trap ID: 22

Automatically notify Support: No

User response:

1. Reseat the DIMM, and then restart the server.
2. Replace DIMM n. (n = DIMM number)

806f090c-2002ffff [PhysicalMemoryElementName] on Subsystem [MemoryElementName] Throttled. (DIMM 2)

Explanation: This message is for the use case when an implementation has detected Memory has been Throttled.

Internal Event: No

Severity: Warning

Alert Category: System - Other

Serviceable: Yes

CIM Information: Prefix: PLAT and ID: 0142

SNMP Trap ID: 22

Automatically notify Support: No

User response:

1. Reseat the DIMM, and then restart the server.
2. Replace DIMM n. (n = DIMM number)

**806f090c-2003ffff [PhysicalMemoryElementName]
on Subsystem [MemoryElementName]
Throttled. (DIMM 3)**

Explanation: This message is for the use case when an implementation has detected Memory has been Throttled.

Internal Event: No

Severity: Warning

Alert Category: System - Other

Serviceable: Yes

CIM Information: Prefix: PLAT and ID: 0142

SNMP Trap ID: 22

Automatically notify Support: No

User response:

1. Reseat the DIMM, and then restart the server.
2. Replace DIMM n. (n = DIMM number)

**806f090c-2004ffff [PhysicalMemoryElementName]
on Subsystem [MemoryElementName]
Throttled. (DIMM 4)**

Explanation: This message is for the use case when an implementation has detected Memory has been Throttled.

Internal Event: No

Severity: Warning

Alert Category: System - Other

Serviceable: Yes

CIM Information: Prefix: PLAT and ID: 0142

SNMP Trap ID: 22

Automatically notify Support: No

User response:

1. Reseat the DIMM, and then restart the server.
2. Replace DIMM n. (n = DIMM number)

**806f090c-2005ffff [PhysicalMemoryElementName]
on Subsystem [MemoryElementName]
Throttled. (DIMM 5)**

Explanation: This message is for the use case when an implementation has detected Memory has been Throttled.

Internal Event: No

Severity: Warning

Alert Category: System - Other

Serviceable: Yes

CIM Information: Prefix: PLAT and ID: 0142

SNMP Trap ID: 22

Automatically notify Support: No

User response:

1. Reseat the DIMM, and then restart the server.
2. Replace DIMM n. (n = DIMM number)

**806f090c-2006ffff [PhysicalMemoryElementName]
on Subsystem [MemoryElementName]
Throttled. (DIMM 6)**

Explanation: This message is for the use case when an implementation has detected Memory has been Throttled.

Internal Event: No

Severity: Warning

Alert Category: System - Other

Serviceable: Yes

CIM Information: Prefix: PLAT and ID: 0142

SNMP Trap ID: 22

Automatically notify Support: No

User response:

1. Reseat the DIMM, and then restart the server.
2. Replace DIMM n. (n = DIMM number)

**806f090c-2007ffff [PhysicalMemoryElementName]
on Subsystem [MemoryElementName]
Throttled. (DIMM 7)**

Explanation: This message is for the use case when an implementation has detected Memory has been Throttled.

Internal Event: No

Severity: Warning

Alert Category: System - Other

Serviceable: Yes

CIM Information: Prefix: PLAT and ID: 0142

SNMP Trap ID: 22**Automatically notify Support:** No**User response:**

1. Reseat the DIMM, and then restart the server.
2. Replace DIMM n. (n = DIMM number)

806f090c-2008ffff [PhysicalMemoryElementName]
on Subsystem [MemoryElementName]
Throttled. (DIMM 8)

Explanation: This message is for the use case when an implementation has detected Memory has been Throttled.

Internal Event: No**Severity:** Warning**Alert Category:** System - Other**Serviceable:** Yes**CIM Information:** Prefix: PLAT and ID: 0142**SNMP Trap ID:** 22**Automatically notify Support:** No**User response:**

1. Reseat the DIMM, and then restart the server.
2. Replace DIMM n. (n = DIMM number)

806f090c-2009ffff [PhysicalMemoryElementName]
on Subsystem [MemoryElementName]
Throttled. (DIMM 9)

Explanation: This message is for the use case when an implementation has detected Memory has been Throttled.

Internal Event: No**Severity:** Warning**Alert Category:** System - Other**Serviceable:** Yes**CIM Information:** Prefix: PLAT and ID: 0142**SNMP Trap ID:** 22**Automatically notify Support:** No**User response:**

1. Reseat the DIMM, and then restart the server.
2. Replace DIMM n. (n = DIMM number)

806f090c-200affff [PhysicalMemoryElementName]
on Subsystem [MemoryElementName]
Throttled. (DIMM 10)

Explanation: This message is for the use case when an implementation has detected Memory has been Throttled.

Internal Event: No**Severity:** Warning**Alert Category:** System - Other**Serviceable:** Yes**CIM Information:** Prefix: PLAT and ID: 0142**SNMP Trap ID:** 22**Automatically notify Support:** No**User response:**

1. Reseat the DIMM, and then restart the server.
2. Replace DIMM n. (n = DIMM number)

806f090c-200bffff [PhysicalMemoryElementName]
on Subsystem [MemoryElementName]
Throttled. (DIMM 11)

Explanation: This message is for the use case when an implementation has detected Memory has been Throttled.

Internal Event: No**Severity:** Warning**Alert Category:** System - Other**Serviceable:** Yes**CIM Information:** Prefix: PLAT and ID: 0142**SNMP Trap ID:** 22**Automatically notify Support:** No**User response:**

1. Reseat the DIMM, and then restart the server.
2. Replace DIMM n. (n = DIMM number)

806f090c-200cffff [PhysicalMemoryElementName]
on Subsystem [MemoryElementName]
Throttled. (DIMM 12)

Explanation: This message is for the use case when an implementation has detected Memory has been Throttled.

Internal Event: No**Severity:** Warning**Alert Category:** System - Other**Serviceable:** Yes**CIM Information:** Prefix: PLAT and ID: 0142**SNMP Trap ID:** 22**Automatically notify Support:** No**User response:**

1. Reseat the DIMM, and then restart the server.
2. Replace DIMM n. (n = DIMM number)

**806f090c-200dffff [PhysicalMemoryElementName]
on Subsystem [MemoryElementName]
Throttled. (DIMM 13)**

Explanation: This message is for the use case when an implementation has detected Memory has been Throttled.

Internal Event: No

Severity: Warning

Alert Category: System - Other

Serviceable: Yes

CIM Information: Prefix: PLAT and ID: 0142

SNMP Trap ID: 22

Automatically notify Support: No

User response:

1. Reseat the DIMM, and then restart the server.
2. Replace DIMM n. (n = DIMM number)

**806f090c-200effff [PhysicalMemoryElementName]
on Subsystem [MemoryElementName]
Throttled. (DIMM 14)**

Explanation: This message is for the use case when an implementation has detected Memory has been Throttled.

Internal Event: No

Severity: Warning

Alert Category: System - Other

Serviceable: Yes

CIM Information: Prefix: PLAT and ID: 0142

SNMP Trap ID: 22

Automatically notify Support: No

User response:

1. Reseat the DIMM, and then restart the server.
2. Replace DIMM n. (n = DIMM number)

**806f090c-200fffff [PhysicalMemoryElementName]
on Subsystem [MemoryElementName]
Throttled. (DIMM 15)**

Explanation: This message is for the use case when an implementation has detected Memory has been Throttled.

Internal Event: No

Severity: Warning

Alert Category: System - Other

Serviceable: Yes

CIM Information: Prefix: PLAT and ID: 0142

SNMP Trap ID: 22

Automatically notify Support: No

User response:

1. Reseat the DIMM, and then restart the server.
2. Replace DIMM n. (n = DIMM number)

**806f090c-2010ffff [PhysicalMemoryElementName]
on Subsystem [MemoryElementName]
Throttled. (DIMM 16)**

Explanation: This message is for the use case when an implementation has detected Memory has been Throttled.

Internal Event: No

Severity: Warning

Alert Category: System - Other

Serviceable: Yes

CIM Information: Prefix: PLAT and ID: 0142

SNMP Trap ID: 22

Automatically notify Support: No

User response:

1. Reseat the DIMM, and then restart the server.
2. Replace DIMM n. (n = DIMM number)

**806f0a07-0301ffff [ProcessorElementName] is
operating in a Degraded State. (CPU 1)**

Explanation: This message is for the use case when an implementation has detected a Processor is running in the Degraded state.

Internal Event: No

Severity: Warning

Alert Category: Warning - CPU

Serviceable: Yes

CIM Information: Prefix: PLAT and ID: 0038

SNMP Trap ID: 42

Automatically notify Support: No

User response:

1. Make sure that the fans are operating, that there are no obstructions to the airflow (front and rear of the server), that the air baffles are in place and correctly installed, and that the server cover is installed and completely closed.
2. Check the ambient temperature. You must be operating within the specifications.
3. Make sure that the heat sink for microprocessor n is installed correctly.
4. (Trained technician only) Replace microprocessor n. (n = microprocessor number)

806f0a07-0302ffff [ProcessorElementName] is operating in a Degraded State. (CPU 2)

Explanation: This message is for the use case when an implementation has detected a Processor is running in the Degraded state.

Internal Event: No

Severity: Warning

Alert Category: Warning - CPU

Serviceable: Yes

CIM Information: Prefix: PLAT and ID: 0038

SNMP Trap ID: 42

Automatically notify Support: No

User response:

1. Make sure that the fans are operating, that there are no obstructions to the airflow (front and rear of the server), that the air baffles are in place and correctly installed, and that the server cover is installed and completely closed.
2. Check the ambient temperature. You must be operating within the specifications.
3. Make sure that the heat sink for microprocessor n is installed correctly.
4. (Trained technician only) Replace microprocessor n. (n = microprocessor number)

806f0a0c-2001ffff An Over-Temperature Condition has been detected on the [PhysicalMemoryElementName] on Subsystem [MemoryElementName]. (DIMM 1)

Explanation: This message is for the use case when an implementation has detected an Over Temperature Condition for Memory that has been Detected.

Internal Event: No

Severity: Error

Alert Category: Critical - Temperature

Serviceable: Yes

CIM Information: Prefix: PLAT and ID: 0146

SNMP Trap ID: 0

Automatically notify Support: No

User response:

1. Make sure that the fans are operating, that there are no obstructions to the airflow, that the air baffles are in place and correctly installed, and that the server cover is installed and completely closed.
2. Make sure that ambient temperature is within the specifications.

3. If a fan has failed, complete the action for a fan failure.

4. Replace DIMM n. (n = DIMM number)

806f0a0c-2002ffff An Over-Temperature Condition has been detected on the [PhysicalMemoryElementName] on Subsystem [MemoryElementName]. (DIMM 2)

Explanation: This message is for the use case when an implementation has detected an Over Temperature Condition for Memory that has been Detected.

Internal Event: No

Severity: Error

Alert Category: Critical - Temperature

Serviceable: Yes

CIM Information: Prefix: PLAT and ID: 0146

SNMP Trap ID: 0

Automatically notify Support: No

User response:

1. Make sure that the fans are operating, that there are no obstructions to the airflow, that the air baffles are in place and correctly installed, and that the server cover is installed and completely closed.
2. Make sure that ambient temperature is within the specifications.
3. If a fan has failed, complete the action for a fan failure.
4. Replace DIMM n. (n = DIMM number)

806f0a0c-2003ffff An Over-Temperature Condition has been detected on the [PhysicalMemoryElementName] on Subsystem [MemoryElementName]. (DIMM 3)

Explanation: This message is for the use case when an implementation has detected an Over Temperature Condition for Memory that has been Detected.

Internal Event: No

Severity: Error

Alert Category: Critical - Temperature

Serviceable: Yes

CIM Information: Prefix: PLAT and ID: 0146

SNMP Trap ID: 0

Automatically notify Support: No

User response:

1. Make sure that the fans are operating, that there are no obstructions to the airflow, that the air baffles are

806f0a0c-2004ffff • 806f0a0c-2007ffff

in place and correctly installed, and that the server cover is installed and completely closed.

2. Make sure that ambient temperature is within the specifications.
3. If a fan has failed, complete the action for a fan failure.
4. Replace DIMM n. (n = DIMM number)

806f0a0c-2004ffff An Over-Temperature Condition has been detected on the [PhysicalMemoryElementName] on Subsystem [MemoryElementName]. (DIMM 4)

Explanation: This message is for the use case when an implementation has detected an Over Temperature Condition for Memory that has been Detected.

Internal Event: No

Severity: Error

Alert Category: Critical - Temperature

Serviceable: Yes

CIM Information: Prefix: PLAT and ID: 0146

SNMP Trap ID: 0

Automatically notify Support: No

User response:

1. Make sure that the fans are operating, that there are no obstructions to the airflow, that the air baffles are in place and correctly installed, and that the server cover is installed and completely closed.
2. Make sure that ambient temperature is within the specifications.
3. If a fan has failed, complete the action for a fan failure.
4. Replace DIMM n. (n = DIMM number)

806f0a0c-2005ffff An Over-Temperature Condition has been detected on the [PhysicalMemoryElementName] on Subsystem [MemoryElementName]. (DIMM 5)

Explanation: This message is for the use case when an implementation has detected an Over Temperature Condition for Memory that has been Detected.

Internal Event: No

Severity: Error

Alert Category: Critical - Temperature

Serviceable: Yes

CIM Information: Prefix: PLAT and ID: 0146

SNMP Trap ID: 0

Automatically notify Support: No

User response:

1. Make sure that the fans are operating, that there are no obstructions to the airflow, that the air baffles are in place and correctly installed, and that the server cover is installed and completely closed.
2. Make sure that ambient temperature is within the specifications.
3. If a fan has failed, complete the action for a fan failure.
4. Replace DIMM n. (n = DIMM number)

806f0a0c-2006ffff An Over-Temperature Condition has been detected on the [PhysicalMemoryElementName] on Subsystem [MemoryElementName]. (DIMM 6)

Explanation: This message is for the use case when an implementation has detected an Over Temperature Condition for Memory that has been Detected.

Internal Event: No

Severity: Error

Alert Category: Critical - Temperature

Serviceable: Yes

CIM Information: Prefix: PLAT and ID: 0146

SNMP Trap ID: 0

Automatically notify Support: No

User response:

1. Make sure that the fans are operating, that there are no obstructions to the airflow, that the air baffles are in place and correctly installed, and that the server cover is installed and completely closed.
2. Make sure that ambient temperature is within the specifications.
3. If a fan has failed, complete the action for a fan failure.
4. Replace DIMM n. (n = DIMM number)

806f0a0c-2007ffff An Over-Temperature Condition has been detected on the [PhysicalMemoryElementName] on Subsystem [MemoryElementName]. (DIMM 7)

Explanation: This message is for the use case when an implementation has detected an Over Temperature Condition for Memory that has been Detected.

Internal Event: No

Severity: Error

Alert Category: Critical - Temperature

Serviceable: Yes

CIM Information: Prefix: PLAT and ID: 0146

SNMP Trap ID: 0**Automatically notify Support:** No**User response:**

1. Make sure that the fans are operating, that there are no obstructions to the airflow, that the air baffles are in place and correctly installed, and that the server cover is installed and completely closed.
2. Make sure that ambient temperature is within the specifications.
3. If a fan has failed, complete the action for a fan failure.
4. Replace DIMM n. (n = DIMM number)

806f0a0c-2008ffff An Over-Temperature Condition has been detected on the [PhysicalMemoryElementName] on Subsystem [MemoryElementName]. (DIMM 8)

Explanation: This message is for the use case when an implementation has detected an Over Temperature Condition for Memory that has been Detected.

Internal Event: No**Severity:** Error**Alert Category:** Critical - Temperature**Serviceable:** Yes**CIM Information:** Prefix: PLAT and ID: 0146**SNMP Trap ID:** 0**Automatically notify Support:** No**User response:**

1. Make sure that the fans are operating, that there are no obstructions to the airflow, that the air baffles are in place and correctly installed, and that the server cover is installed and completely closed.
2. Make sure that ambient temperature is within the specifications.
3. If a fan has failed, complete the action for a fan failure.
4. Replace DIMM n. (n = DIMM number)

806f0a0c-2009ffff An Over-Temperature Condition has been detected on the [PhysicalMemoryElementName] on Subsystem [MemoryElementName]. (DIMM 9)

Explanation: This message is for the use case when an implementation has detected an Over Temperature Condition for Memory that has been Detected.

Internal Event: No**Severity:** Error**Alert Category:** Critical - Temperature**Serviceable:** Yes**CIM Information:** Prefix: PLAT and ID: 0146**SNMP Trap ID:** 0**Automatically notify Support:** No**User response:**

1. Make sure that the fans are operating, that there are no obstructions to the airflow, that the air baffles are in place and correctly installed, and that the server cover is installed and completely closed.
2. Make sure that ambient temperature is within the specifications.
3. If a fan has failed, complete the action for a fan failure.
4. Replace DIMM n. (n = DIMM number)

806f0a0c-200affff An Over-Temperature Condition has been detected on the [PhysicalMemoryElementName] on Subsystem [MemoryElementName]. (DIMM 10)

Explanation: This message is for the use case when an implementation has detected an Over Temperature Condition for Memory that has been Detected.

Internal Event: No**Severity:** Error**Alert Category:** Critical - Temperature**Serviceable:** Yes**CIM Information:** Prefix: PLAT and ID: 0146**SNMP Trap ID:** 0**Automatically notify Support:** No**User response:**

1. Make sure that the fans are operating, that there are no obstructions to the airflow, that the air baffles are in place and correctly installed, and that the server cover is installed and completely closed.
2. Make sure that ambient temperature is within the specifications.
3. If a fan has failed, complete the action for a fan failure.
4. Replace DIMM n. (n = DIMM number)

806f0a0c-200bffff An Over-Temperature Condition has been detected on the [PhysicalMemoryElementName] on Subsystem [MemoryElementName]. (DIMM 11)

Explanation: This message is for the use case when an implementation has detected an Over Temperature Condition for Memory that has been Detected.

Internal Event: No

806f0a0c-200cffff • 806f0a0c-200effff

Severity: Error

Alert Category: Critical - Temperature

Serviceable: Yes

CIM Information: Prefix: PLAT and ID: 0146

SNMP Trap ID: 0

Automatically notify Support: No

User response:

1. Make sure that the fans are operating, that there are no obstructions to the airflow, that the air baffles are in place and correctly installed, and that the server cover is installed and completely closed.
2. Make sure that ambient temperature is within the specifications.
3. If a fan has failed, complete the action for a fan failure.
4. Replace DIMM n. (n = DIMM number)

806f0a0c-200cffff An Over-Temperature Condition has been detected on the [PhysicalMemoryElementName] on Subsystem [MemoryElementName]. (DIMM 12)

Explanation: This message is for the use case when an implementation has detected an Over Temperature Condition for Memory that has been Detected.

Internal Event: No

Severity: Error

Alert Category: Critical - Temperature

Serviceable: Yes

CIM Information: Prefix: PLAT and ID: 0146

SNMP Trap ID: 0

Automatically notify Support: No

User response:

1. Make sure that the fans are operating, that there are no obstructions to the airflow, that the air baffles are in place and correctly installed, and that the server cover is installed and completely closed.
2. Make sure that ambient temperature is within the specifications.
3. If a fan has failed, complete the action for a fan failure.
4. Replace DIMM n. (n = DIMM number)

806f0a0c-200dffff An Over-Temperature Condition has been detected on the [PhysicalMemoryElementName] on Subsystem [MemoryElementName]. (DIMM 13)

Explanation: This message is for the use case when

an implementation has detected an Over Temperature Condition for Memory that has been Detected.

Internal Event: No

Severity: Error

Alert Category: Critical - Temperature

Serviceable: Yes

CIM Information: Prefix: PLAT and ID: 0146

SNMP Trap ID: 0

Automatically notify Support: No

User response:

1. Make sure that the fans are operating, that there are no obstructions to the airflow, that the air baffles are in place and correctly installed, and that the server cover is installed and completely closed.
2. Make sure that ambient temperature is within the specifications.
3. If a fan has failed, complete the action for a fan failure.
4. Replace DIMM n. (n = DIMM number)

806f0a0c-200effff An Over-Temperature Condition has been detected on the [PhysicalMemoryElementName] on Subsystem [MemoryElementName]. (DIMM 14)

Explanation: This message is for the use case when an implementation has detected an Over Temperature Condition for Memory that has been Detected.

Internal Event: No

Severity: Error

Alert Category: Critical - Temperature

Serviceable: Yes

CIM Information: Prefix: PLAT and ID: 0146

SNMP Trap ID: 0

Automatically notify Support: No

User response:

1. Make sure that the fans are operating, that there are no obstructions to the airflow, that the air baffles are in place and correctly installed, and that the server cover is installed and completely closed.
2. Make sure that ambient temperature is within the specifications.
3. If a fan has failed, complete the action for a fan failure.
4. Replace DIMM n. (n = DIMM number)

806f0a0c-200ffff An Over-Temperature Condition has been detected on the [PhysicalMemoryElementName] on Subsystem [MemoryElementName]. (DIMM 15)

Explanation: This message is for the use case when an implementation has detected an Over Temperature Condition for Memory that has been Detected.

Internal Event: No

Severity: Error

Alert Category: Critical - Temperature

Serviceable: Yes

CIM Information: Prefix: PLAT and ID: 0146

SNMP Trap ID: 0

Automatically notify Support: No

User response:

1. Make sure that the fans are operating, that there are no obstructions to the airflow, that the air baffles are in place and correctly installed, and that the server cover is installed and completely closed.
2. Make sure that ambient temperature is within the specifications.
3. If a fan has failed, complete the action for a fan failure.
4. Replace DIMM n. (n = DIMM number)

806f0a0c-2010ffff An Over-Temperature Condition has been detected on the [PhysicalMemoryElementName] on Subsystem [MemoryElementName]. (DIMM 16)

Explanation: This message is for the use case when an implementation has detected an Over Temperature Condition for Memory that has been Detected.

Internal Event: No

Severity: Error

Alert Category: Critical - Temperature

Serviceable: Yes

CIM Information: Prefix: PLAT and ID: 0146

SNMP Trap ID: 0

Automatically notify Support: No

User response:

1. Make sure that the fans are operating, that there are no obstructions to the airflow, that the air baffles are in place and correctly installed, and that the server cover is installed and completely closed.
2. Make sure that ambient temperature is within the specifications.

3. If a fan has failed, complete the action for a fan failure.

4. Replace DIMM n. (n = DIMM number)

806f0a13-0301ffff A Fatal Bus Error has occurred on system [ComputerSystemElementName]. (CPU 1 PECl)

Explanation: This message is for the use case when an implementation has detected a Bus Fatal Error.

Internal Event: No

Severity: Error

Alert Category: Critical - Other

Serviceable: Yes

CIM Information: Prefix: PLAT and ID: 0244

SNMP Trap ID: 50

Automatically notify Support: No

User response:

1. (Trained technician only)Reseat the microprocessor, and then restart the server.
2. (Trained technician only)Replace microprocessor n. (n = microprocessor number)

806f0a13-0302ffff A Fatal Bus Error has occurred on system [ComputerSystemElementName]. (CPU 2 PECl)

Explanation: This message is for the use case when an implementation has detected a Bus Fatal Error.

Internal Event: No

Severity: Error

Alert Category: Critical - Other

Serviceable: Yes

CIM Information: Prefix: PLAT and ID: 0244

SNMP Trap ID: 50

Automatically notify Support: No

User response:

1. (Trained technician only)Reseat the microprocessor, and then restart the server.
2. (Trained technician only)Replace microprocessor n. (n = microprocessor number)

81010002-0701ffff Numeric sensor [NumericSensorElementName] going low (lower non-critical) has deasserted. (CMOS Battery)

Explanation: This message is for the use case when an implementation has detected a Lower Non-critical

sensor going low has deasserted.

Internal Event: No

Severity: Info

Alert Category: Warning - Voltage

Serviceable: No

CIM Information: Prefix: PLAT and ID: 0477

SNMP Trap ID: 13

Automatically notify Support: No

User response: No action; information only.

81010202-0701ffff Numeric sensor
[NumericSensorElementName] going low (lower critical) has deasserted. (CMOS Battery)

Explanation: This message is for the use case when an implementation has detected a Lower Critical sensor going low has deasserted.

Internal Event: No

Severity: Info

Alert Category: Critical - Voltage

Serviceable: No

CIM Information: Prefix: PLAT and ID: 0481

SNMP Trap ID: 1

Automatically notify Support: No

User response: No action; information only. SysBrd 12V : SysBrd 3.3V : SysBrd 5V :

81010204-1d01ffff Numeric sensor
[NumericSensorElementName] going low (lower critical) has deasserted. (Fan 1 Tach)

Explanation: This message is for the use case when an implementation has detected a Lower Critical sensor going low has deasserted.

Internal Event: No

Severity: Info

Alert Category: Critical - Fan Failure

Serviceable: No

CIM Information: Prefix: PLAT and ID: 0481

SNMP Trap ID: 11

Automatically notify Support: No

User response: No action; information only.

81010204-1d02ffff Numeric sensor
[NumericSensorElementName] going low (lower critical) has deasserted. (Fan 2 Tach)

Explanation: This message is for the use case when an implementation has detected a Lower Critical sensor going low has deasserted.

Internal Event: No

Severity: Info

Alert Category: Critical - Fan Failure

Serviceable: No

CIM Information: Prefix: PLAT and ID: 0481

SNMP Trap ID: 11

Automatically notify Support: No

User response: No action; information only.

81010204-1d03ffff Numeric sensor
[NumericSensorElementName] going low (lower critical) has deasserted. (Fan 3 Tach)

Explanation: This message is for the use case when an implementation has detected a Lower Critical sensor going low has deasserted.

Internal Event: No

Severity: Info

Alert Category: Critical - Fan Failure

Serviceable: No

CIM Information: Prefix: PLAT and ID: 0481

SNMP Trap ID: 11

Automatically notify Support: No

User response: No action; information only.

81010204-1d04ffff Numeric sensor
[NumericSensorElementName] going low (lower critical) has deasserted. (Fan 4 Tach)

Explanation: This message is for the use case when an implementation has detected a Lower Critical sensor going low has deasserted.

Internal Event: No

Severity: Info

Alert Category: Critical - Fan Failure

Serviceable: No

CIM Information: Prefix: PLAT and ID: 0481

SNMP Trap ID: 11

Automatically notify Support: No

User response: No action; information only.

81010701-0b01ffff Numeric sensor
[NumericSensorElementName] going high (upper non-critical) has deasserted.

Explanation: This message is for the use case when an implementation has detected an Upper Non-critical sensor going high has deasserted.

Internal Event: No

Severity: Info

Alert Category: Warning - Temperature

Serviceable: No

CIM Information: Prefix: PLAT and ID: 0491

SNMP Trap ID: 12

Automatically notify Support: No

User response: If the specified sensor is one of the following sensors, GPU 1 Temp, K10 1 Temp, K20 1 Temp, K20X 1 Temp, Mic 1 CPU Temp, Mic 2 CPU Temp, VGX K1 1 Temp, VGX K2 1 Temp: No action; information only.

81010701-0b02ffff Numeric sensor
[NumericSensorElementName] going high (upper non-critical) has deasserted.

Explanation: This message is for the use case when an implementation has detected an Upper Non-critical sensor going high has deasserted.

Internal Event: No

Severity: Info

Alert Category: Warning - Temperature

Serviceable: No

CIM Information: Prefix: PLAT and ID: 0491

SNMP Trap ID: 12

Automatically notify Support: No

User response: If the specified sensor is one of the following sensors, GPU 2 Temp, K10 2 Temp, K20 2 Temp, K20X 2 Temp, Mic 1 MEM Temp, Mic 2 MEM Temp, VGX K1 2 Temp, VGX K2 2 Temp: No action; information only.

81010701-0b03ffff Numeric sensor
[NumericSensorElementName] going high (upper non-critical) has deasserted.

Explanation: This message is for the use case when an implementation has detected an Upper Non-critical

sensor going high has deasserted.

Internal Event: No

Severity: Info

Alert Category: Warning - Temperature

Serviceable: No

CIM Information: Prefix: PLAT and ID: 0491

SNMP Trap ID: 12

Automatically notify Support: No

User response: If the specified sensor is Mic 1 VR Temp or Mic 2 VR Temp: No action; information only.

81010701-1001ffff Numeric sensor
[NumericSensorElementName] going high (upper non-critical) has deasserted.

Explanation: This message is for the use case when an implementation has detected an Upper Non-critical sensor going high has deasserted.

Internal Event: No

Severity: Info

Alert Category: Warning - Temperature

Serviceable: No

CIM Information: Prefix: PLAT and ID: 0491

SNMP Trap ID: 12

Automatically notify Support: No

User response: If the specified sensor is Paddle Card Temp or Riser 1A Temp: No action; information only.

81010701-1002ffff Numeric sensor
[NumericSensorElementName] going high (upper non-critical) has deasserted. (Riser 2A Temp)

Explanation: This message is for the use case when an implementation has detected an Upper Non-critical sensor going high has deasserted.

Internal Event: No

Severity: Info

Alert Category: Warning - Temperature

Serviceable: No

CIM Information: Prefix: PLAT and ID: 0491

SNMP Trap ID: 12

Automatically notify Support: No

User response: No action; information only.

81010701-1003ffff Numeric sensor
[NumericSensorElementName] going high (upper non-critical) has deasserted. (Riser 1B Temp)

Explanation: This message is for the use case when an implementation has detected an Upper Non-critical sensor going high has deasserted.

Internal Event: No

Severity: Info

Alert Category: Warning - Temperature

Serviceable: No

CIM Information: Prefix: PLAT and ID: 0491

SNMP Trap ID: 12

Automatically notify Support: No

User response: No action; information only.

81010701-1004ffff Numeric sensor
[NumericSensorElementName] going high (upper non-critical) has deasserted. (Riser 2B Temp)

Explanation: This message is for the use case when an implementation has detected an Upper Non-critical sensor going high has deasserted.

Internal Event: No

Severity: Info

Alert Category: Warning - Temperature

Serviceable: No

CIM Information: Prefix: PLAT and ID: 0491

SNMP Trap ID: 12

Automatically notify Support: No

User response: No action; information only.

81010701-2701ffff Numeric sensor
[NumericSensorElementName] going high (upper non-critical) has deasserted. (Ambient Temp)

Explanation: This message is for the use case when an implementation has detected an Upper Non-critical sensor going high has deasserted.

Internal Event: No

Severity: Info

Alert Category: Warning - Temperature

Serviceable: No

CIM Information: Prefix: PLAT and ID: 0491

SNMP Trap ID: 12

Automatically notify Support: No

User response: No action; information only.

81010701-2c01ffff Numeric sensor
[NumericSensorElementName] going high (upper non-critical) has deasserted. (Mezz Card Temp)

Explanation: This message is for the use case when an implementation has detected an Upper Non-critical sensor going high has deasserted.

Internal Event: No

Severity: Info

Alert Category: Warning - Temperature

Serviceable: No

CIM Information: Prefix: PLAT and ID: 0491

SNMP Trap ID: 12

Automatically notify Support: No

User response: No action; information only.

81010701-2d01ffff Numeric sensor
[NumericSensorElementName] going high (upper non-critical) has deasserted. (PCH Temp)

Explanation: This message is for the use case when an implementation has detected an Upper Non-critical sensor going high has deasserted.

Internal Event: No

Severity: Info

Alert Category: Warning - Temperature

Serviceable: No

CIM Information: Prefix: PLAT and ID: 0491

SNMP Trap ID: 12

Automatically notify Support: No

User response: No action; information only.

81010901-0b01ffff Numeric sensor
[NumericSensorElementName] going high (upper critical) has deasserted.

Explanation: This message is for the use case when an implementation has detected an Upper Critical sensor going high has deasserted.

Internal Event: No

Severity: Info

Alert Category: Critical - Temperature

Serviceable: No

CIM Information: Prefix: PLAT and ID: 0495

SNMP Trap ID: 0

Automatically notify Support: No

User response: If the specified sensor is one of the following sensors, GPU 1 Temp, K10 1 Temp, K20 1 Temp, K20X 1 Temp, Mic 1 CPU Temp, Mic 2 CPU Temp, VGX K1 1 Temp, VGX K2 1 Temp: No action; information only.

81010901-0b02ffff Numeric sensor
[NumericSensorElementName] going high (upper critical) has deasserted.

Explanation: This message is for the use case when an implementation has detected an Upper Critical sensor going high has deasserted.

Internal Event: No

Severity: Info

Alert Category: Critical - Temperature

Serviceable: No

CIM Information: Prefix: PLAT and ID: 0495

SNMP Trap ID: 0

Automatically notify Support: No

User response: If the specified sensor is one of the following sensors, GPU 2 Temp, K10 2 Temp, K20 2 Temp, K20X 2 Temp, Mic 1 MEM Temp, Mic 2 MEM Temp, VGX K1 2 Temp, VGX K2 2 Temp: No action; information only.

81010901-0b03ffff Numeric sensor
[NumericSensorElementName] going high (upper critical) has deasserted.

Explanation: This message is for the use case when an implementation has detected an Upper Critical sensor going high has deasserted.

Internal Event: No

Severity: Info

Alert Category: Critical - Temperature

Serviceable: No

CIM Information: Prefix: PLAT and ID: 0495

SNMP Trap ID: 0

Automatically notify Support: No

User response: If the specified sensor is Mic 1 VR Temp or Mic 2 VR Temp: No action; information only.

81010901-1001ffff Numeric sensor
[NumericSensorElementName] going high (upper critical) has deasserted.

Explanation: This message is for the use case when an implementation has detected an Upper Critical

sensor going high has deasserted.

Internal Event: No

Severity: Info

Alert Category: Critical - Temperature

Serviceable: No

CIM Information: Prefix: PLAT and ID: 0495

SNMP Trap ID: 0

Automatically notify Support: No

User response: If the specified sensor is Paddle Card Temp or Riser 1A Temp: No action; information only.

81010901-1002ffff Numeric sensor
[NumericSensorElementName] going high (upper critical) has deasserted.
(Riser 2A Temp)

Explanation: This message is for the use case when an implementation has detected an Upper Critical sensor going high has deasserted.

Internal Event: No

Severity: Info

Alert Category: Critical - Temperature

Serviceable: No

CIM Information: Prefix: PLAT and ID: 0495

SNMP Trap ID: 0

Automatically notify Support: No

User response: No action; information only.

81010901-1003ffff Numeric sensor
[NumericSensorElementName] going high (upper critical) has deasserted.
(Riser 1B Temp)

Explanation: This message is for the use case when an implementation has detected an Upper Critical sensor going high has deasserted.

Internal Event: No

Severity: Info

Alert Category: Critical - Temperature

Serviceable: No

CIM Information: Prefix: PLAT and ID: 0495

SNMP Trap ID: 0

Automatically notify Support: No

User response: No action; information only.

81010901-1004ffff Numeric sensor
[NumericSensorElementName] going high (upper critical) has deasserted. (Riser 2B Temp)

Explanation: This message is for the use case when an implementation has detected an Upper Critical sensor going high has deasserted.

Internal Event: No

Severity: Info

Alert Category: Critical - Temperature

Serviceable: No

CIM Information: Prefix: PLAT and ID: 0495

SNMP Trap ID: 0

Automatically notify Support: No

User response: No action; information only.

81010901-2701ffff Numeric sensor
[NumericSensorElementName] going high (upper critical) has deasserted. (Ambient Temp)

Explanation: This message is for the use case when an implementation has detected an Upper Critical sensor going high has deasserted.

Internal Event: No

Severity: Info

Alert Category: Critical - Temperature

Serviceable: No

CIM Information: Prefix: PLAT and ID: 0495

SNMP Trap ID: 0

Automatically notify Support: No

User response: No action; information only.

81010901-2c01ffff Numeric sensor
[NumericSensorElementName] going high (upper critical) has deasserted. (Mezz Card Temp)

Explanation: This message is for the use case when an implementation has detected an Upper Critical sensor going high has deasserted.

Internal Event: No

Severity: Info

Alert Category: Critical - Temperature

Serviceable: No

CIM Information: Prefix: PLAT and ID: 0495

SNMP Trap ID: 0

Automatically notify Support: No

User response: No action; information only.

81010901-2d01ffff Numeric sensor
[NumericSensorElementName] going high (upper critical) has deasserted. (PCH Temp)

Explanation: This message is for the use case when an implementation has detected an Upper Critical sensor going high has deasserted.

Internal Event: No

Severity: Info

Alert Category: Critical - Temperature

Serviceable: No

CIM Information: Prefix: PLAT and ID: 0495

SNMP Trap ID: 0

Automatically notify Support: No

User response: No action; information only.

81010902-0701ffff Numeric sensor
[NumericSensorElementName] going high (upper critical) has deasserted.

Explanation: This message is for the use case when an implementation has detected an Upper Critical sensor going high has deasserted.

Internal Event: No

Severity: Info

Alert Category: Critical - Voltage

Serviceable: No

CIM Information: Prefix: PLAT and ID: 0495

SNMP Trap ID: 1

Automatically notify Support: No

User response: If the specified sensor is SysBrd 12V, SysBrd 3.3V or SysBrd 5V: No action; information only.

81010b01-0b01ffff Numeric sensor
[NumericSensorElementName] going high (upper non-recoverable) has deasserted.

Explanation: This message is for the use case when an implementation has detected an Upper Non-recoverable sensor going high has deasserted.

Internal Event: No

Severity: Info

Alert Category: Critical - Temperature

Serviceable: No

CIM Information: Prefix: PLAT and ID: 0499

SNMP Trap ID: 0

Automatically notify Support: No

User response: If the specified sensor is one of the following sensors, GPU 1 Temp, K10 1 Temp, K20 1 Temp, K20X 1 Temp, Mic 1 CPU Temp, Mic 2 CPU Temp, VGX K1 1 Temp, VGX K2 1 Temp: No action; information only.

81010b01-0b02ffff Numeric sensor
[NumericSensorElementName] going high (upper non-recoverable) has deasserted.

Explanation: This message is for the use case when an implementation has detected an Upper Non-recoverable sensor going high has deasserted.

Internal Event: No

Severity: Info

Alert Category: Critical - Temperature

Serviceable: No

CIM Information: Prefix: PLAT and ID: 0499

SNMP Trap ID: 0

Automatically notify Support: No

User response: If the specified sensor is one of the following sensors, GPU 2 Temp, K10 2 Temp, K20 2 Temp, K20X 2 Temp, Mic 1 MEM Temp, Mic 2 MEM Temp, VGX K1 2 Temp, VGX K2 2 Temp: No action; information only.

81010b01-0b03ffff Numeric sensor
[NumericSensorElementName] going high (upper non-recoverable) has deasserted.

Explanation: This message is for the use case when an implementation has detected an Upper Non-recoverable sensor going high has deasserted.

Internal Event: No

Severity: Info

Alert Category: Critical - Temperature

Serviceable: No

CIM Information: Prefix: PLAT and ID: 0499

SNMP Trap ID: 0

Automatically notify Support: No

User response: If the specified sensor is Mic 1 VR Temp or Mic 2 VR Temp: No action; information only.

81010b01-1001ffff Numeric sensor
[NumericSensorElementName] going high (upper non-recoverable) has deasserted. (Paddle Card Temp)

Explanation: This message is for the use case when an implementation has detected an Upper Non-recoverable sensor going high has deasserted.

Internal Event: No

Severity: Info

Alert Category: Critical - Temperature

Serviceable: No

CIM Information: Prefix: PLAT and ID: 0499

SNMP Trap ID: 0

Automatically notify Support: No

User response: If the specified sensor is Paddle Card Temp or Riser 1A Temp: No action; information only.

81010b01-1002ffff Numeric sensor
[NumericSensorElementName] going high (upper non-recoverable) has deasserted. (Riser 2A Temp)

Explanation: This message is for the use case when an implementation has detected an Upper Non-recoverable sensor going high has deasserted.

Internal Event: No

Severity: Info

Alert Category: Critical - Temperature

Serviceable: No

CIM Information: Prefix: PLAT and ID: 0499

SNMP Trap ID: 0

Automatically notify Support: No

User response: No action; information only.

81010b01-1003ffff Numeric sensor
[NumericSensorElementName] going high (upper non-recoverable) has deasserted. (Riser 1B Temp)

Explanation: This message is for the use case when an implementation has detected an Upper Non-recoverable sensor going high has deasserted.

Internal Event: No

Severity: Info

Alert Category: Critical - Temperature

Serviceable: No

CIM Information: Prefix: PLAT and ID: 0499

SNMP Trap ID: 0

Automatically notify Support: No

User response: No action; information only.

81010b01-1004ffff Numeric sensor
[NumericSensorElementName] going high (upper non-recoverable) has deasserted. (Riser 2B Temp)

Explanation: This message is for the use case when an implementation has detected an Upper Non-recoverable sensor going high has deasserted.

Internal Event: No

Severity: Info

Alert Category: Critical - Temperature

Serviceable: No

CIM Information: Prefix: PLAT and ID: 0499

SNMP Trap ID: 0

Automatically notify Support: No

User response: No action; information only.

81010b01-2701ffff Numeric sensor
[NumericSensorElementName] going high (upper non-recoverable) has deasserted. (Ambient Temp)

Explanation: This message is for the use case when an implementation has detected an Upper Non-recoverable sensor going high has deasserted.

Internal Event: No

Severity: Info

Alert Category: Critical - Temperature

Serviceable: No

CIM Information: Prefix: PLAT and ID: 0499

SNMP Trap ID: 0

Automatically notify Support: No

User response: No action; information only.

81010b01-2c01ffff Numeric sensor
[NumericSensorElementName] going high (upper non-recoverable) has deasserted. (Mezz Card Temp)

Explanation: This message is for the use case when an implementation has detected an Upper Non-recoverable sensor going high has deasserted.

Internal Event: No

Severity: Info

Alert Category: Critical - Temperature

Serviceable: No

CIM Information: Prefix: PLAT and ID: 0499

SNMP Trap ID: 0

Automatically notify Support: No

User response: No action; information only.

81010b01-2d01ffff Numeric sensor
[NumericSensorElementName] going high (upper non-recoverable) has deasserted. (PCH Temp)

Explanation: This message is for the use case when an implementation has detected an Upper Non-recoverable sensor going high has deasserted.

Internal Event: No

Severity: Info

Alert Category: Critical - Temperature

Serviceable: No

CIM Information: Prefix: PLAT and ID: 0499

SNMP Trap ID: 0

Automatically notify Support: No

User response: No action; information only.

81030006-2101ffff Sensor [SensorElementName]
has asserted. (Sig Verify Fail)

Explanation: This message is for the use case when an implementation has detected a Sensor has asserted.

Internal Event: No

Severity: Info

Alert Category: System - Other

Serviceable: No

CIM Information: Prefix: PLAT and ID: 0508

SNMP Trap ID:

Automatically notify Support: No

User response: No action; information only.

81030012-2301ffff Sensor [SensorElementName]
has asserted. (OS RealTime Mod)

Explanation: This message is for the use case when an implementation has detected a Sensor has asserted.

Internal Event: No

Severity: Info

Alert Category: System - Other

Serviceable: No

CIM Information: Prefix: PLAT and ID: 0508

SNMP Trap ID:

Automatically notify Support: No

User response: No action; information only.

**8103010e-2581ffff Sensor [SensorElementName]
has deasserted. (Memory Resized)**

Explanation: This message is for the use case when an implementation has detected a Sensor has deasserted.

Internal Event: No

Severity: Info

Alert Category: System - Other

Serviceable: No

CIM Information: Prefix: PLAT and ID: 0509

SNMP Trap ID:

Automatically notify Support: No

User response: No action; information only.

**8107010f-2201ffff Sensor [SensorElementName]
has deasserted the transition from
normal to non-critical state. (GPT
Status)**

Explanation: This message is for the use case when an implementation has detected that a Sensor has deasserted a transition to non-critical from normal.

Internal Event: No

Severity: Info

Alert Category: Warning - Other

Serviceable: No

CIM Information: Prefix: PLAT and ID: 0521

SNMP Trap ID: 60

Automatically notify Support: No

User response: No action; information only.

**8107010f-2582ffff Sensor [SensorElementName]
has deasserted the transition from
normal to non-critical state. (I/O
Resources)**

Explanation: This message is for the use case when an implementation has detected that a Sensor has deasserted a transition to non-critical from normal.

Internal Event: No

Severity: Info

Alert Category: Warning - Other

Serviceable: No

CIM Information: Prefix: PLAT and ID: 0521

SNMP Trap ID: 60

Automatically notify Support: No

User response: No action; information only.

**81070201-0301ffff Sensor [SensorElementName]
has transitioned to a less severe state
from critical. (CPU 1 OverTemp)**

Explanation: This message is for the use case when an implementation has detected a Sensor transition to less severe from critical.

Internal Event: No

Severity: Info

Alert Category: Critical - Temperature

Serviceable: No

CIM Information: Prefix: PLAT and ID: 0523

SNMP Trap ID: 0

Automatically notify Support: No

User response: No action; information only.

**81070201-0302ffff Sensor [SensorElementName]
has transitioned to a less severe state
from critical. (CPU 2 OverTemp)**

Explanation: This message is for the use case when an implementation has detected a Sensor transition to less severe from critical.

Internal Event: No

Severity: Info

Alert Category: Critical - Temperature

Serviceable: No

CIM Information: Prefix: PLAT and ID: 0523

SNMP Trap ID: 0

Automatically notify Support: No

User response: No action; information only.

**81070202-0701ffff Sensor [SensorElementName]
has transitioned to a less severe state
from critical. (SysBrd Vol Fault)**

Explanation: This message is for the use case when an implementation has detected a Sensor transition to less severe from critical.

Internal Event: No

Severity: Info

Alert Category: Critical - Voltage

Serviceable: No

CIM Information: Prefix: PLAT and ID: 0523

SNMP Trap ID: 1

Automatically notify Support: No

User response: No action; information only.

**81070204-0a01ffff Sensor [SensorElementName]
has transitioned to a less severe state
from critical. (PS 1 Fan Fault)**

Explanation: This message is for the use case when an implementation has detected a Sensor transition to less severe from critical.

Internal Event: No

Severity: Info

Alert Category: Critical - Fan Failure

Serviceable: No

CIM Information: Prefix: PLAT and ID: 0523

SNMP Trap ID: 11

Automatically notify Support: No

User response: No action; information only.

**81070204-0a02ffff Sensor [SensorElementName]
has transitioned to a less severe state
from critical. (PS 2 Fan Fault)**

Explanation: This message is for the use case when an implementation has detected a Sensor transition to less severe from critical.

Internal Event: No

Severity: Info

Alert Category: Critical - Fan Failure

Serviceable: No

CIM Information: Prefix: PLAT and ID: 0523

SNMP Trap ID: 11

Automatically notify Support: No

User response: No action; information only.

**81070208-0a01ffff Sensor [SensorElementName]
has transitioned to a less severe state
from critical. (PS 1 Therm Fault)**

Explanation: This message is for the use case when an implementation has detected a Sensor transition to less severe from critical.

Internal Event: No

Severity: Info

Alert Category: Critical - Power

Serviceable: No

CIM Information: Prefix: PLAT and ID: 0523

SNMP Trap ID: 4

Automatically notify Support: No

User response: No action; information only.

**81070208-0a02ffff Sensor [SensorElementName]
has transitioned to a less severe state
from critical. (PS 2 Therm Fault)**

Explanation: This message is for the use case when an implementation has detected a Sensor transition to less severe from critical.

Internal Event: No

Severity: Info

Alert Category: Critical - Power

Serviceable: No

CIM Information: Prefix: PLAT and ID: 0523

SNMP Trap ID: 4

Automatically notify Support: No

User response: No action; information only.

**8107020f-2201ffff Sensor [SensorElementName]
has transitioned to a less severe state
from critical. (TXT ACM Module)**

Explanation: This message is for the use case when an implementation has detected a Sensor transition to less severe from critical.

Internal Event: No

Severity: Info

Alert Category: Critical - Other

Serviceable: No

CIM Information: Prefix: PLAT and ID: 0523

SNMP Trap ID: 50

Automatically notify Support: No

User response: No action; information only.

**8107020f-2582ffff Sensor [SensorElementName]
has transitioned to a less severe state
from critical. (I/O Resources)**

Explanation: This message is for the use case when an implementation has detected a Sensor transition to less severe from critical.

Internal Event: No

Severity: Info

Alert Category: Critical - Other

Serviceable: No

CIM Information: Prefix: PLAT and ID: 0523

SNMP Trap ID: 50**Automatically notify Support:** No**User response:** No action; information only.

81070214-2201ffff Sensor [SensorElementName]
has transitioned to a less severe state
from critical. (TPM Lock)

Explanation: This message is for the use case when an implementation has detected a Sensor transition to less severe from critical.**Internal Event:** No**Severity:** Info**Alert Category:** Critical - Other**Serviceable:** No**CIM Information:** Prefix: PLAT and ID: 0523**SNMP Trap ID:** 50**Automatically notify Support:** No**User response:** No action; information only.

81070219-0701ffff Sensor [SensorElementName]
has transitioned to a less severe state
from critical. (SysBrd Fault)

Explanation: This message is for the use case when an implementation has detected a Sensor transition to less severe from critical.**Internal Event:** No**Severity:** Info**Alert Category:** Critical - Other**Serviceable:** No**CIM Information:** Prefix: PLAT and ID: 0523**SNMP Trap ID:** 50**Automatically notify Support:** No**User response:** No action; information only.

8107021b-0301ffff Sensor [SensorElementName]
has transitioned to a less severe state
from critical. (CPU 1 QPILinkErr)

Explanation: This message is for the use case when an implementation has detected a Sensor transition to less severe from critical.**Internal Event:** No**Severity:** Info**Alert Category:** Critical - Other**Serviceable:** No**CIM Information:** Prefix: PLAT and ID: 0523**SNMP Trap ID:** 50**Automatically notify Support:** No**User response:** No action; information only.

8107021b-0302ffff Sensor [SensorElementName]
has transitioned to a less severe state
from critical. (CPU 2 QPILinkErr)

Explanation: This message is for the use case when an implementation has detected a Sensor transition to less severe from critical.**Internal Event:** No**Severity:** Info**Alert Category:** Critical - Other**Serviceable:** No**CIM Information:** Prefix: PLAT and ID: 0523**SNMP Trap ID:** 50**Automatically notify Support:** No**User response:** No action; information only.

81070301-0301ffff Sensor [SensorElementName]
has deasserted the transition to
non-recoverable from a less severe
state. (CPU 1 OverTemp)

Explanation: This message is for the use case when an implementation has detected that the Sensor transition to non-recoverable from less severe has deasserted.**Internal Event:** No**Severity:** Info**Alert Category:** Critical - Temperature**Serviceable:** No**CIM Information:** Prefix: PLAT and ID: 0525**SNMP Trap ID:** 0**Automatically notify Support:** No**User response:** No action; information only.

81070301-0302ffff Sensor [SensorElementName]
has deasserted the transition to
non-recoverable from a less severe
state. (CPU 2 OverTemp)

Explanation: This message is for the use case when an implementation has detected that the Sensor transition to non-recoverable from less severe has deasserted.**Internal Event:** No**Severity:** Info

Alert Category: Critical - Temperature

Serviceable: No

CIM Information: Prefix: PLAT and ID: 0525

SNMP Trap ID: 0

Automatically notify Support: No

User response: No action; information only.

**81070608-0a01ffff Sensor [SensorElementName]
has deasserted the transition to
non-recoverable. (PS1 12V OC Fault)**

Explanation: This message is for the use case when an implementation has detected that the Sensor transition to non-recoverable has deasserted.

Internal Event: No

Severity: Info

Alert Category: Critical - Power

Serviceable: No

CIM Information: Prefix: PLAT and ID: 0531

SNMP Trap ID: 4

Automatically notify Support: No

User response: No action; information only. PS1 12V OV Fault : PS1 12V UV Fault : PS1 12Vaux Fault :

**81070608-0a02ffff Sensor [SensorElementName]
has deasserted the transition to
non-recoverable. (PS2 12V OC Fault)**

Explanation: This message is for the use case when an implementation has detected that the Sensor transition to non-recoverable has deasserted.

Internal Event: No

Severity: Info

Alert Category: Critical - Power

Serviceable: No

CIM Information: Prefix: PLAT and ID: 0531

SNMP Trap ID: 4

Automatically notify Support: No

User response: No action; information only. PS2 12V OV Fault : PS2 12V UV Fault : PS2 12Vaux Fault :

**810b010a-1e81ffff Redundancy Lost for
[RedundancySetElementName] has
deasserted. (Cooling Zone)**

Explanation: This message is for the use case when Redundancy Lost has deasserted.

Internal Event: No

Severity: Info

Alert Category: Critical - Fan Failure

Serviceable: No

CIM Information: Prefix: PLAT and ID: 0803

SNMP Trap ID: 11

Automatically notify Support: No

User response: No action; information only.

**810b010c-2581ffff Redundancy Lost for
[RedundancySetElementName] has
deasserted. (Backup Memory)**

Explanation: This message is for the use case when Redundancy Lost has deasserted.

Internal Event: No

Severity: Info

Alert Category: Critical - Memory

Serviceable: No

CIM Information: Prefix: PLAT and ID: 0803

SNMP Trap ID: 41

Automatically notify Support: No

User response: No action; information only.

**810b030c-2581ffff Non-redundant:Sufficient
Resources from Redundancy Degraded
or Fully Redundant for
[RedundancySetElementName] has
deasserted. (Backup Memory)**

Explanation: This message is for the use case when a Redundancy Set has transitioned from Non-redundant:Sufficient Resources.

Internal Event: No

Severity: Info

Alert Category: Warning - Memory

Serviceable: No

CIM Information: Prefix: PLAT and ID: 0807

SNMP Trap ID: 43

Automatically notify Support: No

User response: No action; information only.

**810b050a-1e81ffff Non-redundant:Insufficient
Resources for
[RedundancySetElementName] has
deasserted. (Cooling Zone)**

Explanation: This message is for the use case when a Redundancy Set has transitioned from Non-redundant:Insufficient Resources.

Internal Event: No
Severity: Info
Alert Category: Critical - Fan Failure
Serviceable: No
CIM Information: Prefix: PLAT and ID: 0811
SNMP Trap ID: 11
Automatically notify Support: No
User response: No action; information only.

810b050c-2581ffff Non-redundant:Insufficient Resources for [RedundancySetElementName] has deasserted. (Backup Memory)

Explanation: This message is for the use case when a Redundancy Set has transitioned from Non-redundant:Insufficient Resources.

Internal Event: No
Severity: Info
Alert Category: Critical - Memory
Serviceable: No
CIM Information: Prefix: PLAT and ID: 0811
SNMP Trap ID: 41
Automatically notify Support: No
User response: No action; information only.

816f0007-0301ffff [ProcessorElementName] has Recovered from IERR. (CPU 1)

Explanation: This message is for the use case when an implementation has detected a Processor Recovered - IERR Condition.

Internal Event: No
Severity: Info
Alert Category: Critical - CPU
Serviceable: No
CIM Information: Prefix: PLAT and ID: 0043
SNMP Trap ID: 40
Automatically notify Support: No
User response: No action; information only.

816f0007-0302ffff [ProcessorElementName] has Recovered from IERR. (CPU 2)

Explanation: This message is for the use case when an implementation has detected a Processor Recovered - IERR Condition.

Internal Event: No

Severity: Info
Alert Category: Critical - CPU
Serviceable: No
CIM Information: Prefix: PLAT and ID: 0043
SNMP Trap ID: 40
Automatically notify Support: No
User response: No action; information only.

816f0008-0a01ffff [PowerSupplyElementName] has been removed from container [PhysicalPackageElementName]. (Power Supply 1)

Explanation: This message is for the use case when an implementation has detected a Power Supply has been removed.

Internal Event: No
Severity: Info
Alert Category: System - Other
Serviceable: No
CIM Information: Prefix: PLAT and ID: 0085
SNMP Trap ID:
Automatically notify Support: No
User response: No action; information only.

816f0008-0a02ffff [PowerSupplyElementName] has been removed from container [PhysicalPackageElementName]. (Power Supply 2)

Explanation: This message is for the use case when an implementation has detected a Power Supply has been removed.

Internal Event: No
Severity: Info
Alert Category: System - Other
Serviceable: No
CIM Information: Prefix: PLAT and ID: 0085
SNMP Trap ID:
Automatically notify Support: No
User response: No action; information only.

816f0009-1301ffff [PowerSupplyElementName] has been turned on. (Host Power)

Explanation: This message is for the use case when an implementation has detected a Power Unit that has been Enabled.

Internal Event: No
Severity: Info
Alert Category: System - Power On
Serviceable: No
CIM Information: Prefix: PLAT and ID: 0107
SNMP Trap ID: 24
Automatically notify Support: No
User response: No action; information only.

816f000f-2201ffff The System
[ComputerSystemElementName] has detected a POST Error deassertion. (ABR Status)

Explanation: This message is for the use case when an implementation has detected that Post Error has deasserted.

Internal Event: No
Severity: Info
Alert Category: Critical - Other
Serviceable: No
CIM Information: Prefix: PLAT and ID: 0185
SNMP Trap ID: 50
Automatically notify Support: No
User response: No action; information only. Firmware Error : Sys Boot Status :

816f0013-1701ffff System
[ComputerSystemElementName] has recovered from a diagnostic interrupt. (NMI State)

Explanation: This message is for the use case when an implementation has detected a recovery from a Front Panel NMI / Diagnostic Interrupt

Internal Event: No
Severity: Info
Alert Category: Critical - Other
Serviceable: No
CIM Information: Prefix: PLAT and ID: 0223
SNMP Trap ID: 50
Automatically notify Support: No
User response: No action; information only.

816f0021-2201ffff Fault condition removed on slot [PhysicalConnectorElementName] on system [ComputerSystemElementName]. (No Op ROM Space)

Explanation: This message is for the use case when an implementation has detected a Fault condition in a slot has been removed.

Internal Event: No
Severity: Info
Alert Category: Critical - Other
Serviceable: No
CIM Information: Prefix: PLAT and ID: 0331
SNMP Trap ID: 50
Automatically notify Support: No
User response: No action; information only.

816f0021-2582ffff Fault condition removed on slot [PhysicalConnectorElementName] on system [ComputerSystemElementName]. (All PCI Error)

Explanation: This message is for the use case when an implementation has detected a Fault condition in a slot has been removed.

Internal Event: No
Severity: Info
Alert Category: Critical - Other
Serviceable: No
CIM Information: Prefix: PLAT and ID: 0331
SNMP Trap ID: 50
Automatically notify Support: No
User response: No action; information only. One of PCI Error :

816f0021-3001ffff Fault condition removed on slot [PhysicalConnectorElementName] on system [ComputerSystemElementName]. (Mezz Error)

Explanation: This message is for the use case when an implementation has detected a Fault condition in a slot has been removed.

Internal Event: No
Severity: Info
Alert Category: Critical - Other
Serviceable: No

CIM Information: Prefix: PLAT and ID: 0331

SNMP Trap ID: 50

Automatically notify Support: No

User response: No action; information only. PCI 1 :

816f0021-3002ffff Fault condition removed on slot
[PhysicalConnectorElementName] on
system
[ComputerSystemElementName]. (PCI
2)

Explanation: This message is for the use case when an implementation has detected a Fault condition in a slot has been removed.

Internal Event: No

Severity: Info

Alert Category: Critical - Other

Serviceable: No

CIM Information: Prefix: PLAT and ID: 0331

SNMP Trap ID: 50

Automatically notify Support: No

User response: No action; information only.

816f0021-3003ffff Fault condition removed on slot
[PhysicalConnectorElementName] on
system
[ComputerSystemElementName]. (PCI
3)

Explanation: This message is for the use case when an implementation has detected a Fault condition in a slot has been removed.

Internal Event: No

Severity: Info

Alert Category: Critical - Other

Serviceable: No

CIM Information: Prefix: PLAT and ID: 0331

SNMP Trap ID: 50

Automatically notify Support: No

User response: No action; information only.

816f0021-3004ffff Fault condition removed on slot
[PhysicalConnectorElementName] on
system
[ComputerSystemElementName]. (PCI
4)

Explanation: This message is for the use case when an implementation has detected a Fault condition in a slot has been removed.

Internal Event: No

Severity: Info

Alert Category: Critical - Other

Serviceable: No

CIM Information: Prefix: PLAT and ID: 0331

SNMP Trap ID: 50

Automatically notify Support: No

User response: No action; information only.

816f0021-3005ffff Fault condition removed on slot
[PhysicalConnectorElementName] on
system
[ComputerSystemElementName]. (PCI
5)

Explanation: This message is for the use case when an implementation has detected a Fault condition in a slot has been removed.

Internal Event: No

Severity: Info

Alert Category: Critical - Other

Serviceable: No

CIM Information: Prefix: PLAT and ID: 0331

SNMP Trap ID: 50

Automatically notify Support: No

User response: No action; information only.

816f0021-3006ffff Fault condition removed on slot
[PhysicalConnectorElementName] on
system
[ComputerSystemElementName]. (PCI
6)

Explanation: This message is for the use case when an implementation has detected a Fault condition in a slot has been removed.

Internal Event: No

Severity: Info

Alert Category: Critical - Other

Serviceable: No

CIM Information: Prefix: PLAT and ID: 0331

SNMP Trap ID: 50

Automatically notify Support: No

User response: No action; information only.

816f0025-2c01ffff [ManagedElementName] detected as absent. (Mezz Card)

Explanation: This message is for the use case when an implementation has detected a Managed Element is Absent.

Internal Event: No

Severity: Info

Alert Category: System - Other

Serviceable: No

CIM Information: Prefix: PLAT and ID: 0392

SNMP Trap ID:

Automatically notify Support: No

User response: No action; information only.

816f0028-2101ffff Sensor [SensorElementName] has returned to normal on management system [ComputerSystemElementName]. (TPM Cmd Failures)

Explanation: This message is for the use case when an implementation has detected a Sensor returned from degraded/unavailable/failure.

Internal Event: No

Severity: Info

Alert Category: Warning - Other

Serviceable: No

CIM Information: Prefix: PLAT and ID: 0399

SNMP Trap ID: 60

Automatically notify Support: No

User response: No action; information only.

816f0107-0301ffff An Over-Temperature Condition has been removed on [ProcessorElementName]. (CPU 1)

Explanation: This message is for the use case when an implementation has detected a Over-Temperature Condition has been Removed for Processor.

Internal Event: No

Severity: Info

Alert Category: Critical - Temperature

Serviceable: No

CIM Information: Prefix: PLAT and ID: 0037

SNMP Trap ID: 0

Automatically notify Support: No

User response: No action; information only.

816f0107-0302ffff An Over-Temperature Condition has been removed on [ProcessorElementName]. (CPU 2)

Explanation: This message is for the use case when an implementation has detected a Over-Temperature Condition has been Removed for Processor.

Internal Event: No

Severity: Info

Alert Category: Critical - Temperature

Serviceable: No

CIM Information: Prefix: PLAT and ID: 0037

SNMP Trap ID: 0

Automatically notify Support: No

User response: No action; information only.

816f0108-0a01ffff [PowerSupplyElementName] has returned to OK status. (Power Supply 1)

Explanation: This message is for the use case when an implementation has detected a Power Supply return to normal operational status.

Internal Event: No

Severity: Info

Alert Category: Critical - Power

Serviceable: No

CIM Information: Prefix: PLAT and ID: 0087

SNMP Trap ID: 4

Automatically notify Support: No

User response: No action; information only.

816f0108-0a02ffff [PowerSupplyElementName] has returned to OK status. (Power Supply 2)

Explanation: This message is for the use case when an implementation has detected a Power Supply return to normal operational status.

Internal Event: No

Severity: Info

Alert Category: Critical - Power

Serviceable: No

CIM Information: Prefix: PLAT and ID: 0087

SNMP Trap ID: 4

Automatically notify Support: No

User response: No action; information only.

816f010c-2001ffff Uncorrectable error recovery detected for [PhysicalMemoryElementName] on Subsystem [MemoryElementName]. (DIMM 1)

Explanation: This message is for the use case when an implementation has detected a Memory uncorrectable error recovery.

Internal Event: No

Severity: Info

Alert Category: Critical - Memory

Serviceable: No

CIM Information: Prefix: PLAT and ID: 0139

SNMP Trap ID: 41

Automatically notify Support: No

User response: No action; information only.

816f010c-2002ffff Uncorrectable error recovery detected for [PhysicalMemoryElementName] on Subsystem [MemoryElementName]. (DIMM 2)

Explanation: This message is for the use case when an implementation has detected a Memory uncorrectable error recovery.

Internal Event: No

Severity: Info

Alert Category: Critical - Memory

Serviceable: No

CIM Information: Prefix: PLAT and ID: 0139

SNMP Trap ID: 41

Automatically notify Support: No

User response: No action; information only.

816f010c-2003ffff Uncorrectable error recovery detected for [PhysicalMemoryElementName] on Subsystem [MemoryElementName]. (DIMM 3)

Explanation: This message is for the use case when an implementation has detected a Memory uncorrectable error recovery.

Internal Event: No

Severity: Info

Alert Category: Critical - Memory

Serviceable: No

CIM Information: Prefix: PLAT and ID: 0139

SNMP Trap ID: 41

Automatically notify Support: No

User response: No action; information only.

816f010c-2004ffff Uncorrectable error recovery detected for [PhysicalMemoryElementName] on Subsystem [MemoryElementName]. (DIMM 4)

Explanation: This message is for the use case when an implementation has detected a Memory uncorrectable error recovery.

Internal Event: No

Severity: Info

Alert Category: Critical - Memory

Serviceable: No

CIM Information: Prefix: PLAT and ID: 0139

SNMP Trap ID: 41

Automatically notify Support: No

User response: No action; information only.

816f010c-2005ffff Uncorrectable error recovery detected for [PhysicalMemoryElementName] on Subsystem [MemoryElementName]. (DIMM 5)

Explanation: This message is for the use case when an implementation has detected a Memory uncorrectable error recovery.

Internal Event: No

Severity: Info

Alert Category: Critical - Memory

Serviceable: No

CIM Information: Prefix: PLAT and ID: 0139

SNMP Trap ID: 41

Automatically notify Support: No

User response: No action; information only.

816f010c-2006ffff Uncorrectable error recovery detected for [PhysicalMemoryElementName] on Subsystem [MemoryElementName]. (DIMM 6)

Explanation: This message is for the use case when an implementation has detected a Memory uncorrectable error recovery.

Internal Event: No

Severity: Info

Alert Category: Critical - Memory

Serviceable: No

CIM Information: Prefix: PLAT and ID: 0139

SNMP Trap ID: 41

Automatically notify Support: No

User response: No action; information only.

816f010c-2007ffff Uncorrectable error recovery detected for [PhysicalMemoryElementName] on Subsystem [MemoryElementName]. (DIMM 7)

Explanation: This message is for the use case when an implementation has detected a Memory uncorrectable error recovery.

Internal Event: No

Severity: Info

Alert Category: Critical - Memory

Serviceable: No

CIM Information: Prefix: PLAT and ID: 0139

SNMP Trap ID: 41

Automatically notify Support: No

User response: No action; information only.

816f010c-2008ffff Uncorrectable error recovery detected for [PhysicalMemoryElementName] on Subsystem [MemoryElementName]. (DIMM 8)

Explanation: This message is for the use case when an implementation has detected a Memory uncorrectable error recovery.

Internal Event: No

Severity: Info

Alert Category: Critical - Memory

Serviceable: No

CIM Information: Prefix: PLAT and ID: 0139

SNMP Trap ID: 41

Automatically notify Support: No

User response: No action; information only.

816f010c-2009ffff Uncorrectable error recovery detected for [PhysicalMemoryElementName] on Subsystem [MemoryElementName]. (DIMM 9)

Explanation: This message is for the use case when an implementation has detected a Memory uncorrectable error recovery.

Internal Event: No

Severity: Info

Alert Category: Critical - Memory

Serviceable: No

CIM Information: Prefix: PLAT and ID: 0139

SNMP Trap ID: 41

Automatically notify Support: No

User response: No action; information only.

816f010c-200affff Uncorrectable error recovery detected for [PhysicalMemoryElementName] on Subsystem [MemoryElementName]. (DIMM 10)

Explanation: This message is for the use case when an implementation has detected a Memory uncorrectable error recovery.

Internal Event: No

Severity: Info

Alert Category: Critical - Memory

Serviceable: No

CIM Information: Prefix: PLAT and ID: 0139

SNMP Trap ID: 41

Automatically notify Support: No

User response: No action; information only.

816f010c-200bffff Uncorrectable error recovery detected for [PhysicalMemoryElementName] on Subsystem [MemoryElementName]. (DIMM 11)

Explanation: This message is for the use case when an implementation has detected a Memory uncorrectable error recovery.

Internal Event: No

Severity: Info

Alert Category: Critical - Memory

Serviceable: No

CIM Information: Prefix: PLAT and ID: 0139

SNMP Trap ID: 41

Automatically notify Support: No

User response: No action; information only.

816f010c-200cffff Uncorrectable error recovery detected for [PhysicalMemoryElementName] on Subsystem [MemoryElementName]. (DIMM 12)

Explanation: This message is for the use case when an implementation has detected a Memory uncorrectable error recovery.

Internal Event: No

Severity: Info

Alert Category: Critical - Memory

Serviceable: No

CIM Information: Prefix: PLAT and ID: 0139

SNMP Trap ID: 41

Automatically notify Support: No

User response: No action; information only.

816f010c-200dffff Uncorrectable error recovery detected for [PhysicalMemoryElementName] on Subsystem [MemoryElementName]. (DIMM 13)

Explanation: This message is for the use case when an implementation has detected a Memory uncorrectable error recovery.

Internal Event: No

Severity: Info

Alert Category: Critical - Memory

Serviceable: No

CIM Information: Prefix: PLAT and ID: 0139

SNMP Trap ID: 41

Automatically notify Support: No

User response: No action; information only.

816f010c-200effff Uncorrectable error recovery detected for [PhysicalMemoryElementName] on Subsystem [MemoryElementName]. (DIMM 14)

Explanation: This message is for the use case when an implementation has detected a Memory uncorrectable error recovery.

Internal Event: No

Severity: Info

Alert Category: Critical - Memory

Serviceable: No

CIM Information: Prefix: PLAT and ID: 0139

SNMP Trap ID: 41

Automatically notify Support: No

User response: No action; information only.

816f010c-200fffff Uncorrectable error recovery detected for [PhysicalMemoryElementName] on Subsystem [MemoryElementName]. (DIMM 15)

Explanation: This message is for the use case when an implementation has detected a Memory uncorrectable error recovery.

Internal Event: No

Severity: Info

Alert Category: Critical - Memory

Serviceable: No

CIM Information: Prefix: PLAT and ID: 0139

SNMP Trap ID: 41

Automatically notify Support: No

User response: No action; information only.

816f010c-2010ffff Uncorrectable error recovery detected for [PhysicalMemoryElementName] on Subsystem [MemoryElementName]. (DIMM 16)

Explanation: This message is for the use case when an implementation has detected a Memory uncorrectable error recovery.

Internal Event: No

Severity: Info

Alert Category: Critical - Memory

Serviceable: No

CIM Information: Prefix: PLAT and ID: 0139

SNMP Trap ID: 41

Automatically notify Support: No

User response: No action; information only.

816f010c-2581ffff **Uncorrectable error recovery detected for [PhysicalMemoryElementName] on Subsystem [MemoryElementName]. (All DIMMS)**

Explanation: This message is for the use case when an implementation has detected a Memory uncorrectable error recovery.

Internal Event: No

Severity: Info

Alert Category: Critical - Memory

Serviceable: No

CIM Information: Prefix: PLAT and ID: 0139

SNMP Trap ID: 41

Automatically notify Support: No

User response: No action; information only. One of the DIMMs :

816f010f-2201ffff **The System [ComputerSystemElementName] has recovered from a firmware hang. (Firmware Error)**

Explanation: This message is for the use case when an implementation has recovered from a System Firmware Hang.

Internal Event: No

Severity: Info

Alert Category: Critical - Other

Serviceable: No

CIM Information: Prefix: PLAT and ID: 0187

SNMP Trap ID: 50

Automatically notify Support: No

User response: No action; information only.

816f0113-0301ffff **System [ComputerSystemElementName] has recovered from a bus timeout. (CPU 1 Peci)**

Explanation: This message is for the use case when an implementation has detected that a system has recovered from a Bus Timeout.

Internal Event: No

Severity: Info

Alert Category: Critical - Other

Serviceable: No

CIM Information: Prefix: PLAT and ID: 0225

SNMP Trap ID: 50

Automatically notify Support: No

User response:

1. (Trained technician only) Replace microprocessor n (see Removing a microprocessor and heat sink and Replacing a microprocessor and heat sink).
2. If the problem persists and there is no other CPU with the same error indication, replace the system board.
3. (Trained technician only) Replace the system board (see Removing the system board and Replacing the system board). (n = microprocessor number)

816f0113-0302ffff **System [ComputerSystemElementName] has recovered from a bus timeout. (CPU 2 Peci)**

Explanation: This message is for the use case when an implementation has detected that a system has recovered from a Bus Timeout.

Internal Event: No

Severity: Info

Alert Category: Critical - Other

Serviceable: No

CIM Information: Prefix: PLAT and ID: 0225

SNMP Trap ID: 50

Automatically notify Support: No

User response:

1. (Trained technician only) Replace microprocessor n (see Removing a microprocessor and heat sink and Replacing a microprocessor and heat sink).
2. If the problem persists and there is no other CPU with the same error indication, replace the system board.
3. (Trained technician only) Replace the system board (see Removing the system board and Replacing the system board). (n = microprocessor number)

816f0125-0b01ffff **[ManagedElementName] detected as present. (PCI Riser 1)**

Explanation: This message is for the use case when an implementation has detected a Managed Element is now Present.

Internal Event: No

Severity: Info

Alert Category: System - Other

Serviceable: No

CIM Information: Prefix: PLAT and ID: 0390

SNMP Trap ID:

Automatically notify Support: No

User response: No action; information only.

816f0125-0b02ffff [ManagedElementName] detected as present. (PCI Riser 2)

Explanation: This message is for the use case when an implementation has detected a Managed Element is now Present.

Internal Event: No

Severity: Info

Alert Category: System - Other

Serviceable: No

CIM Information: Prefix: PLAT and ID: 0390

SNMP Trap ID:

Automatically notify Support: No

User response: No action; information only.

816f0207-0301ffff [ProcessorElementName] has Recovered from FRB1/BIST condition. (CPU 1)

Explanation: This message is for the use case when an implementation has detected a Processor Recovered - FRB1/BIST condition.

Internal Event: No

Severity: Info

Alert Category: Critical - CPU

Serviceable: No

CIM Information: Prefix: PLAT and ID: 0045

SNMP Trap ID: 40

Automatically notify Support: No

User response: No action; information only.

816f0207-0302ffff [ProcessorElementName] has Recovered from FRB1/BIST condition. (CPU 2)

Explanation: This message is for the use case when an implementation has detected a Processor Recovered - FRB1/BIST condition.

Internal Event: No

Severity: Info

Alert Category: Critical - CPU

Serviceable: No

CIM Information: Prefix: PLAT and ID: 0045

SNMP Trap ID: 40

Automatically notify Support: No

User response: No action; information only.

816f0207-2584ffff [ProcessorElementName] has Recovered from FRB1/BIST condition. (All CPUs)

Explanation: This message is for the use case when an implementation has detected a Processor Recovered - FRB1/BIST condition.

Internal Event: No

Severity: Info

Alert Category: Critical - CPU

Serviceable: No

CIM Information: Prefix: PLAT and ID: 0045

SNMP Trap ID: 40

Automatically notify Support: No

User response: No action; information only. One of the CPUs :

816f0308-0a01ffff [PowerSupplyElementName] has returned to a Normal Input State. (Power Supply 1)

Explanation: This message is for the use case when an implementation has detected a Power Supply that has input that has returned to normal.

Internal Event: No

Severity: Info

Alert Category: System - Other

Serviceable: No

CIM Information: Prefix: PLAT and ID: 0099

SNMP Trap ID:

Automatically notify Support: No

User response: No action; information only.

816f0308-0a02ffff [PowerSupplyElementName] has returned to a Normal Input State. (Power Supply 2)

Explanation: This message is for the use case when an implementation has detected a Power Supply that has input that has returned to normal.

Internal Event: No

Severity: Info

Alert Category: System - Other

Serviceable: No

CIM Information: Prefix: PLAT and ID: 0099

SNMP Trap ID:

Automatically notify Support: No

User response: No action; information only.

816f030c-2001ffff Scrub Failure for [PhysicalMemoryElementName] on Subsystem [MemoryElementName]has recovered. (DIMM 1)

Explanation: This message is for the use case when an implementation has detected a Memory Scrub failure recovery.

Internal Event: No

Severity: Info

Alert Category: Critical - Memory

Serviceable: No

CIM Information: Prefix: PLAT and ID: 0137

SNMP Trap ID: 41

Automatically notify Support: No

User response: No action; information only.

816f030c-2002ffff Scrub Failure for [PhysicalMemoryElementName] on Subsystem [MemoryElementName]has recovered. (DIMM 2)

Explanation: This message is for the use case when an implementation has detected a Memory Scrub failure recovery.

Internal Event: No

Severity: Info

Alert Category: Critical - Memory

Serviceable: No

CIM Information: Prefix: PLAT and ID: 0137

SNMP Trap ID: 41

Automatically notify Support: No

User response: No action; information only.

816f030c-2003ffff Scrub Failure for [PhysicalMemoryElementName] on Subsystem [MemoryElementName]has recovered. (DIMM 3)

Explanation: This message is for the use case when an implementation has detected a Memory Scrub failure recovery.

Internal Event: No

Severity: Info

Alert Category: Critical - Memory

Serviceable: No

CIM Information: Prefix: PLAT and ID: 0137

SNMP Trap ID: 41

Automatically notify Support: No

User response: No action; information only.

816f030c-2004ffff Scrub Failure for [PhysicalMemoryElementName] on Subsystem [MemoryElementName]has recovered. (DIMM 4)

Explanation: This message is for the use case when an implementation has detected a Memory Scrub failure recovery.

Internal Event: No

Severity: Info

Alert Category: Critical - Memory

Serviceable: No

CIM Information: Prefix: PLAT and ID: 0137

SNMP Trap ID: 41

Automatically notify Support: No

User response: No action; information only.

816f030c-2005ffff Scrub Failure for [PhysicalMemoryElementName] on Subsystem [MemoryElementName]has recovered. (DIMM 5)

Explanation: This message is for the use case when an implementation has detected a Memory Scrub failure recovery.

Internal Event: No

Severity: Info

Alert Category: Critical - Memory

Serviceable: No

CIM Information: Prefix: PLAT and ID: 0137

SNMP Trap ID: 41

Automatically notify Support: No

User response: No action; information only.

816f030c-2006ffff Scrub Failure for [PhysicalMemoryElementName] on Subsystem [MemoryElementName]has recovered. (DIMM 6)

Explanation: This message is for the use case when an implementation has detected a Memory Scrub failure recovery.

Internal Event: No

Severity: Info

Alert Category: Critical - Memory
Serviceable: No
CIM Information: Prefix: PLAT and ID: 0137
SNMP Trap ID: 41
Automatically notify Support: No
User response: No action; information only.

**816f030c-2007ffff Scrub Failure for
 [PhysicalMemoryElementName] on
 Subsystem [MemoryElementName]has
 recovered. (DIMM 7)**

Explanation: This message is for the use case when an implementation has detected a Memory Scrub failure recovery.

Internal Event: No
Severity: Info
Alert Category: Critical - Memory
Serviceable: No
CIM Information: Prefix: PLAT and ID: 0137
SNMP Trap ID: 41
Automatically notify Support: No
User response: No action; information only.

**816f030c-2008ffff Scrub Failure for
 [PhysicalMemoryElementName] on
 Subsystem [MemoryElementName]has
 recovered. (DIMM 8)**

Explanation: This message is for the use case when an implementation has detected a Memory Scrub failure recovery.

Internal Event: No
Severity: Info
Alert Category: Critical - Memory
Serviceable: No
CIM Information: Prefix: PLAT and ID: 0137
SNMP Trap ID: 41
Automatically notify Support: No
User response: No action; information only.

**816f030c-2009ffff Scrub Failure for
 [PhysicalMemoryElementName] on
 Subsystem [MemoryElementName]has
 recovered. (DIMM 9)**

Explanation: This message is for the use case when an implementation has detected a Memory Scrub failure recovery.

Internal Event: No
Severity: Info
Alert Category: Critical - Memory
Serviceable: No
CIM Information: Prefix: PLAT and ID: 0137
SNMP Trap ID: 41
Automatically notify Support: No
User response: No action; information only.

**816f030c-200affff Scrub Failure for
 [PhysicalMemoryElementName] on
 Subsystem [MemoryElementName]has
 recovered. (DIMM 10)**

Explanation: This message is for the use case when an implementation has detected a Memory Scrub failure recovery.

Internal Event: No
Severity: Info
Alert Category: Critical - Memory
Serviceable: No
CIM Information: Prefix: PLAT and ID: 0137
SNMP Trap ID: 41
Automatically notify Support: No
User response: No action; information only.

**816f030c-200bffff Scrub Failure for
 [PhysicalMemoryElementName] on
 Subsystem [MemoryElementName]has
 recovered. (DIMM 11)**

Explanation: This message is for the use case when an implementation has detected a Memory Scrub failure recovery.

Internal Event: No
Severity: Info
Alert Category: Critical - Memory
Serviceable: No
CIM Information: Prefix: PLAT and ID: 0137
SNMP Trap ID: 41
Automatically notify Support: No
User response: No action; information only.

**816f030c-200cffff Scrub Failure for
[PhysicalMemoryElementName] on
Subsystem [MemoryElementName]has
recovered. (DIMM 12)**

Explanation: This message is for the use case when an implementation has detected a Memory Scrub failure recovery.

Internal Event: No

Severity: Info

Alert Category: Critical - Memory

Serviceable: No

CIM Information: Prefix: PLAT and ID: 0137

SNMP Trap ID: 41

Automatically notify Support: No

User response: No action; information only.

**816f030c-200dffff Scrub Failure for
[PhysicalMemoryElementName] on
Subsystem [MemoryElementName]has
recovered. (DIMM 13)**

Explanation: This message is for the use case when an implementation has detected a Memory Scrub failure recovery.

Internal Event: No

Severity: Info

Alert Category: Critical - Memory

Serviceable: No

CIM Information: Prefix: PLAT and ID: 0137

SNMP Trap ID: 41

Automatically notify Support: No

User response: No action; information only.

**816f030c-200effff Scrub Failure for
[PhysicalMemoryElementName] on
Subsystem [MemoryElementName]has
recovered. (DIMM 14)**

Explanation: This message is for the use case when an implementation has detected a Memory Scrub failure recovery.

Internal Event: No

Severity: Info

Alert Category: Critical - Memory

Serviceable: No

CIM Information: Prefix: PLAT and ID: 0137

SNMP Trap ID: 41

Automatically notify Support: No

User response: No action; information only.

**816f030c-200ffff Scrub Failure for
[PhysicalMemoryElementName] on
Subsystem [MemoryElementName]has
recovered. (DIMM 15)**

Explanation: This message is for the use case when an implementation has detected a Memory Scrub failure recovery.

Internal Event: No

Severity: Info

Alert Category: Critical - Memory

Serviceable: No

CIM Information: Prefix: PLAT and ID: 0137

SNMP Trap ID: 41

Automatically notify Support: No

User response: No action; information only.

**816f030c-2010ffff Scrub Failure for
[PhysicalMemoryElementName] on
Subsystem [MemoryElementName]has
recovered. (DIMM 16)**

Explanation: This message is for the use case when an implementation has detected a Memory Scrub failure recovery.

Internal Event: No

Severity: Info

Alert Category: Critical - Memory

Serviceable: No

CIM Information: Prefix: PLAT and ID: 0137

SNMP Trap ID: 41

Automatically notify Support: No

User response: No action; information only.

**816f030c-2581ffff Scrub Failure for
[PhysicalMemoryElementName] on
Subsystem [MemoryElementName]has
recovered. (All DIMMS)**

Explanation: This message is for the use case when an implementation has detected a Memory Scrub failure recovery.

Internal Event: No

Severity: Info

Alert Category: Critical - Memory

Serviceable: No

CIM Information: Prefix: PLAT and ID: 0137

SNMP Trap ID: 41

Automatically notify Support: No

User response: No action; information only.

816f0313-1701ffff System
[ComputerSystemElementName] has recovered from an NMI. (NMI State)

Explanation: This message is for the use case when an implementation has detected a Software NMI has been Recovered from.

Internal Event: No

Severity: Info

Alert Category: Critical - Other

Serviceable: No

CIM Information: Prefix: PLAT and ID: 0230

SNMP Trap ID: 50

Automatically notify Support: No

User response: No action; information only.

816f040c-2001ffff [PhysicalMemoryElementName]
Enabled on Subsystem
[MemoryElementName]. (DIMM 1)

Explanation: This message is for the use case when an implementation has detected that Memory has been Enabled.

Internal Event: No

Severity: Info

Alert Category: System - Other

Serviceable: No

CIM Information: Prefix: PLAT and ID: 0130

SNMP Trap ID:

Automatically notify Support: No

User response: No action; information only.

816f040c-2002ffff [PhysicalMemoryElementName]
Enabled on Subsystem
[MemoryElementName]. (DIMM 2)

Explanation: This message is for the use case when an implementation has detected that Memory has been Enabled.

Internal Event: No

Severity: Info

Alert Category: System - Other

Serviceable: No

CIM Information: Prefix: PLAT and ID: 0130

SNMP Trap ID:

Automatically notify Support: No

User response: No action; information only.

816f040c-2003ffff [PhysicalMemoryElementName]
Enabled on Subsystem
[MemoryElementName]. (DIMM 3)

Explanation: This message is for the use case when an implementation has detected that Memory has been Enabled.

Internal Event: No

Severity: Info

Alert Category: System - Other

Serviceable: No

CIM Information: Prefix: PLAT and ID: 0130

SNMP Trap ID:

Automatically notify Support: No

User response: No action; information only.

816f040c-2004ffff [PhysicalMemoryElementName]
Enabled on Subsystem
[MemoryElementName]. (DIMM 4)

Explanation: This message is for the use case when an implementation has detected that Memory has been Enabled.

Internal Event: No

Severity: Info

Alert Category: System - Other

Serviceable: No

CIM Information: Prefix: PLAT and ID: 0130

SNMP Trap ID:

Automatically notify Support: No

User response: No action; information only.

816f040c-2005ffff [PhysicalMemoryElementName]
Enabled on Subsystem
[MemoryElementName]. (DIMM 5)

Explanation: This message is for the use case when an implementation has detected that Memory has been Enabled.

Internal Event: No

Severity: Info

Alert Category: System - Other

Serviceable: No

816f040c-2006ffff • 816f040c-200bffff

CIM Information: Prefix: PLAT and ID: 0130

SNMP Trap ID:

Automatically notify Support: No

User response: No action; information only.

816f040c-2006ffff [PhysicalMemoryElementName]
Enabled on Subsystem
[MemoryElementName]. (DIMM 6)

Explanation: This message is for the use case when an implementation has detected that Memory has been Enabled.

Internal Event: No

Severity: Info

Alert Category: System - Other

Serviceable: No

CIM Information: Prefix: PLAT and ID: 0130

SNMP Trap ID:

Automatically notify Support: No

User response: No action; information only.

816f040c-2007ffff [PhysicalMemoryElementName]
Enabled on Subsystem
[MemoryElementName]. (DIMM 7)

Explanation: This message is for the use case when an implementation has detected that Memory has been Enabled.

Internal Event: No

Severity: Info

Alert Category: System - Other

Serviceable: No

CIM Information: Prefix: PLAT and ID: 0130

SNMP Trap ID:

Automatically notify Support: No

User response: No action; information only.

816f040c-2008ffff [PhysicalMemoryElementName]
Enabled on Subsystem
[MemoryElementName]. (DIMM 8)

Explanation: This message is for the use case when an implementation has detected that Memory has been Enabled.

Internal Event: No

Severity: Info

Alert Category: System - Other

Serviceable: No

CIM Information: Prefix: PLAT and ID: 0130

SNMP Trap ID:

Automatically notify Support: No

User response: No action; information only.

816f040c-2009ffff [PhysicalMemoryElementName]
Enabled on Subsystem
[MemoryElementName]. (DIMM 9)

Explanation: This message is for the use case when an implementation has detected that Memory has been Enabled.

Internal Event: No

Severity: Info

Alert Category: System - Other

Serviceable: No

CIM Information: Prefix: PLAT and ID: 0130

SNMP Trap ID:

Automatically notify Support: No

User response: No action; information only.

816f040c-200affff [PhysicalMemoryElementName]
Enabled on Subsystem
[MemoryElementName]. (DIMM 10)

Explanation: This message is for the use case when an implementation has detected that Memory has been Enabled.

Internal Event: No

Severity: Info

Alert Category: System - Other

Serviceable: No

CIM Information: Prefix: PLAT and ID: 0130

SNMP Trap ID:

Automatically notify Support: No

User response: No action; information only.

816f040c-200bffff [PhysicalMemoryElementName]
Enabled on Subsystem
[MemoryElementName]. (DIMM 11)

Explanation: This message is for the use case when an implementation has detected that Memory has been Enabled.

Internal Event: No

Severity: Info

Alert Category: System - Other

Serviceable: No

CIM Information: Prefix: PLAT and ID: 0130

SNMP Trap ID:

Automatically notify Support: No

User response: No action; information only.

816f040c-200cffff [PhysicalMemoryElementName]
Enabled on Subsystem
[MemoryElementName]. (DIMM 12)

Explanation: This message is for the use case when an implementation has detected that Memory has been Enabled.

Internal Event: No

Severity: Info

Alert Category: System - Other

Serviceable: No

CIM Information: Prefix: PLAT and ID: 0130

SNMP Trap ID:

Automatically notify Support: No

User response: No action; information only.

816f040c-200dffff [PhysicalMemoryElementName]
Enabled on Subsystem
[MemoryElementName]. (DIMM 13)

Explanation: This message is for the use case when an implementation has detected that Memory has been Enabled.

Internal Event: No

Severity: Info

Alert Category: System - Other

Serviceable: No

CIM Information: Prefix: PLAT and ID: 0130

SNMP Trap ID:

Automatically notify Support: No

User response: No action; information only.

816f040c-200effff [PhysicalMemoryElementName]
Enabled on Subsystem
[MemoryElementName]. (DIMM 14)

Explanation: This message is for the use case when an implementation has detected that Memory has been Enabled.

Internal Event: No

Severity: Info

Alert Category: System - Other

Serviceable: No

CIM Information: Prefix: PLAT and ID: 0130

SNMP Trap ID:

Automatically notify Support: No

User response: No action; information only.

816f040c-200fffff [PhysicalMemoryElementName]
Enabled on Subsystem
[MemoryElementName]. (DIMM 15)

Explanation: This message is for the use case when an implementation has detected that Memory has been Enabled.

Internal Event: No

Severity: Info

Alert Category: System - Other

Serviceable: No

CIM Information: Prefix: PLAT and ID: 0130

SNMP Trap ID:

Automatically notify Support: No

User response: No action; information only.

816f040c-2010ffff [PhysicalMemoryElementName]
Enabled on Subsystem
[MemoryElementName]. (DIMM 16)

Explanation: This message is for the use case when an implementation has detected that Memory has been Enabled.

Internal Event: No

Severity: Info

Alert Category: System - Other

Serviceable: No

CIM Information: Prefix: PLAT and ID: 0130

SNMP Trap ID:

Automatically notify Support: No

User response: No action; information only.

816f040c-2581ffff [PhysicalMemoryElementName]
Enabled on Subsystem
[MemoryElementName]. (All DIMMS)

Explanation: This message is for the use case when an implementation has detected that Memory has been Enabled.

Internal Event: No

Severity: Info

Alert Category: System - Other

Serviceable: No

816f0413-2582ffff • 816f050c-2002ffff

CIM Information: Prefix: PLAT and ID: 0130

SNMP Trap ID:

Automatically notify Support: No

User response: No action; information only. One of the DIMMs :

816f0413-2582ffff A PCI PERR recovery has occurred on system [ComputerSystemElementName]. (PCIs)

Explanation: This message is for the use case when an implementation has detected a PCI PERR recovered.

Internal Event: No

Severity: Info

Alert Category: Critical - Other

Serviceable: No

CIM Information: Prefix: PLAT and ID: 0233

SNMP Trap ID: 50

Automatically notify Support: No

User response: No action; information only.

816f0507-0301ffff [ProcessorElementName] has Recovered from a Configuration Mismatch. (CPU 1)

Explanation: This message is for the use case when an implementation has Recovered from a Processor Configuration Mismatch.

Internal Event: No

Severity: Info

Alert Category: Critical - CPU

Serviceable: No

CIM Information: Prefix: PLAT and ID: 0063

SNMP Trap ID: 40

Automatically notify Support: No

User response: No action; information only.

816f0507-0302ffff [ProcessorElementName] has Recovered from a Configuration Mismatch. (CPU 2)

Explanation: This message is for the use case when an implementation has Recovered from a Processor Configuration Mismatch.

Internal Event: No

Severity: Info

Alert Category: Critical - CPU

Serviceable: No

CIM Information: Prefix: PLAT and ID: 0063

SNMP Trap ID: 40

Automatically notify Support: No

User response: No action; information only.

816f0507-2584ffff [ProcessorElementName] has Recovered from a Configuration Mismatch. (All CPUs)

Explanation: This message is for the use case when an implementation has Recovered from a Processor Configuration Mismatch.

Internal Event: No

Severity: Info

Alert Category: Critical - CPU

Serviceable: No

CIM Information: Prefix: PLAT and ID: 0063

SNMP Trap ID: 40

Automatically notify Support: No

User response: No action; information only. One of the CPUs :

816f050c-2001ffff Memory Logging Limit Removed for [PhysicalMemoryElementName] on Subsystem [MemoryElementName]. (DIMM 1)

Explanation: This message is for the use case when an implementation has detected that the Memory Logging Limit has been Removed.

Internal Event: No

Severity: Info

Alert Category: Warning - Memory

Serviceable: No

CIM Information: Prefix: PLAT and ID: 0145

SNMP Trap ID: 43

Automatically notify Support: No

User response: No action; information only.

816f050c-2002ffff Memory Logging Limit Removed for [PhysicalMemoryElementName] on Subsystem [MemoryElementName]. (DIMM 2)

Explanation: This message is for the use case when an implementation has detected that the Memory Logging Limit has been Removed.

Internal Event: No

Severity: Info

Alert Category: Warning - Memory

Serviceable: No

CIM Information: Prefix: PLAT and ID: 0145

SNMP Trap ID: 43

Automatically notify Support: No

User response: No action; information only.

816f050c-2003ffff Memory Logging Limit Removed for [PhysicalMemoryElementName] on Subsystem [MemoryElementName]. (DIMM 3)

Explanation: This message is for the use case when an implementation has detected that the Memory Logging Limit has been Removed.

Internal Event: No

Severity: Info

Alert Category: Warning - Memory

Serviceable: No

CIM Information: Prefix: PLAT and ID: 0145

SNMP Trap ID: 43

Automatically notify Support: No

User response: No action; information only.

816f050c-2004ffff Memory Logging Limit Removed for [PhysicalMemoryElementName] on Subsystem [MemoryElementName]. (DIMM 4)

Explanation: This message is for the use case when an implementation has detected that the Memory Logging Limit has been Removed.

Internal Event: No

Severity: Info

Alert Category: Warning - Memory

Serviceable: No

CIM Information: Prefix: PLAT and ID: 0145

SNMP Trap ID: 43

Automatically notify Support: No

User response: No action; information only.

816f050c-2005ffff Memory Logging Limit Removed for [PhysicalMemoryElementName] on Subsystem [MemoryElementName]. (DIMM 5)

Explanation: This message is for the use case when an implementation has detected that the Memory

Logging Limit has been Removed.

Internal Event: No

Severity: Info

Alert Category: Warning - Memory

Serviceable: No

CIM Information: Prefix: PLAT and ID: 0145

SNMP Trap ID: 43

Automatically notify Support: No

User response: No action; information only.

816f050c-2006ffff Memory Logging Limit Removed for [PhysicalMemoryElementName] on Subsystem [MemoryElementName]. (DIMM 6)

Explanation: This message is for the use case when an implementation has detected that the Memory Logging Limit has been Removed.

Internal Event: No

Severity: Info

Alert Category: Warning - Memory

Serviceable: No

CIM Information: Prefix: PLAT and ID: 0145

SNMP Trap ID: 43

Automatically notify Support: No

User response: No action; information only.

816f050c-2007ffff Memory Logging Limit Removed for [PhysicalMemoryElementName] on Subsystem [MemoryElementName]. (DIMM 7)

Explanation: This message is for the use case when an implementation has detected that the Memory Logging Limit has been Removed.

Internal Event: No

Severity: Info

Alert Category: Warning - Memory

Serviceable: No

CIM Information: Prefix: PLAT and ID: 0145

SNMP Trap ID: 43

Automatically notify Support: No

User response: No action; information only.

816f050c-2008ffff Memory Logging Limit Removed for [PhysicalMemoryElementName] on Subsystem [MemoryElementName]. (DIMM 8)

Explanation: This message is for the use case when an implementation has detected that the Memory Logging Limit has been Removed.

Internal Event: No

Severity: Info

Alert Category: Warning - Memory

Serviceable: No

CIM Information: Prefix: PLAT and ID: 0145

SNMP Trap ID: 43

Automatically notify Support: No

User response: No action; information only.

816f050c-2009ffff Memory Logging Limit Removed for [PhysicalMemoryElementName] on Subsystem [MemoryElementName]. (DIMM 9)

Explanation: This message is for the use case when an implementation has detected that the Memory Logging Limit has been Removed.

Internal Event: No

Severity: Info

Alert Category: Warning - Memory

Serviceable: No

CIM Information: Prefix: PLAT and ID: 0145

SNMP Trap ID: 43

Automatically notify Support: No

User response: No action; information only.

816f050c-200affff Memory Logging Limit Removed for [PhysicalMemoryElementName] on Subsystem [MemoryElementName]. (DIMM 10)

Explanation: This message is for the use case when an implementation has detected that the Memory Logging Limit has been Removed.

Internal Event: No

Severity: Info

Alert Category: Warning - Memory

Serviceable: No

CIM Information: Prefix: PLAT and ID: 0145

SNMP Trap ID: 43

Automatically notify Support: No

User response: No action; information only.

816f050c-200bffff Memory Logging Limit Removed for [PhysicalMemoryElementName] on Subsystem [MemoryElementName]. (DIMM 11)

Explanation: This message is for the use case when an implementation has detected that the Memory Logging Limit has been Removed.

Internal Event: No

Severity: Info

Alert Category: Warning - Memory

Serviceable: No

CIM Information: Prefix: PLAT and ID: 0145

SNMP Trap ID: 43

Automatically notify Support: No

User response: No action; information only.

816f050c-200cffff Memory Logging Limit Removed for [PhysicalMemoryElementName] on Subsystem [MemoryElementName]. (DIMM 12)

Explanation: This message is for the use case when an implementation has detected that the Memory Logging Limit has been Removed.

Internal Event: No

Severity: Info

Alert Category: Warning - Memory

Serviceable: No

CIM Information: Prefix: PLAT and ID: 0145

SNMP Trap ID: 43

Automatically notify Support: No

User response: No action; information only.

816f050c-200dffff Memory Logging Limit Removed for [PhysicalMemoryElementName] on Subsystem [MemoryElementName]. (DIMM 13)

Explanation: This message is for the use case when an implementation has detected that the Memory Logging Limit has been Removed.

Internal Event: No

Severity: Info

Alert Category: Warning - Memory

Serviceable: No

CIM Information: Prefix: PLAT and ID: 0145

SNMP Trap ID: 43

Automatically notify Support: No

User response: No action; information only.

816f050c-200effff Memory Logging Limit Removed for [PhysicalMemoryElementName] on Subsystem [MemoryElementName]. (DIMM 14)

Explanation: This message is for the use case when an implementation has detected that the Memory Logging Limit has been Removed.

Internal Event: No

Severity: Info

Alert Category: Warning - Memory

Serviceable: No

CIM Information: Prefix: PLAT and ID: 0145

SNMP Trap ID: 43

Automatically notify Support: No

User response: No action; information only.

816f050c-200fffff Memory Logging Limit Removed for [PhysicalMemoryElementName] on Subsystem [MemoryElementName]. (DIMM 15)

Explanation: This message is for the use case when an implementation has detected that the Memory Logging Limit has been Removed.

Internal Event: No

Severity: Info

Alert Category: Warning - Memory

Serviceable: No

CIM Information: Prefix: PLAT and ID: 0145

SNMP Trap ID: 43

Automatically notify Support: No

User response: No action; information only.

816f050c-2010ffff Memory Logging Limit Removed for [PhysicalMemoryElementName] on Subsystem [MemoryElementName]. (DIMM 16)

Explanation: This message is for the use case when an implementation has detected that the Memory Logging Limit has been Removed.

Internal Event: No

Severity: Info

Alert Category: Warning - Memory

Serviceable: No

CIM Information: Prefix: PLAT and ID: 0145

SNMP Trap ID: 43

Automatically notify Support: No

User response: No action; information only.

816f050c-2581ffff Memory Logging Limit Removed for [PhysicalMemoryElementName] on Subsystem [MemoryElementName]. (All DIMMS)

Explanation: This message is for the use case when an implementation has detected that the Memory Logging Limit has been Removed.

Internal Event: No

Severity: Info

Alert Category: Warning - Memory

Serviceable: No

CIM Information: Prefix: PLAT and ID: 0145

SNMP Trap ID: 43

Automatically notify Support: No

User response: No action; information only. One of the DIMMs :

816f0607-0301ffff An SM BIOS Uncorrectable CPU complex error for [ProcessorElementName] has deasserted. (CPU 1)

Explanation: This message is for the use case when an SM BIOS Uncorrectable CPU complex error has deasserted.

Internal Event: No

Severity: Info

Alert Category: Critical - CPU

Serviceable: No

CIM Information: Prefix: PLAT and ID: 0817

SNMP Trap ID: 40

Automatically notify Support: No

User response: No action; information only.

816f0607-0302ffff An SM BIOS Uncorrectable CPU complex error for [ProcessorElementName] has deasserted. (CPU 2)

Explanation: This message is for the use case when

816f0607-2584ffff • 816f070c-2003ffff

an SM BIOS Uncorrectable CPU complex error has deasserted.

Internal Event: No

Severity: Info

Alert Category: Critical - CPU

Serviceable: No

CIM Information: Prefix: PLAT and ID: 0817

SNMP Trap ID: 40

Automatically notify Support: No

User response: No action; information only.

816f0607-2584ffff An SM BIOS Uncorrectable CPU complex error for [ProcessorElementName] has deasserted. (All CPUs)

Explanation: This message is for the use case when an SM BIOS Uncorrectable CPU complex error has deasserted.

Internal Event: No

Severity: Info

Alert Category: Critical - CPU

Serviceable: No

CIM Information: Prefix: PLAT and ID: 0817

SNMP Trap ID: 40

Automatically notify Support: No

User response: No action; information only. One of the CPUs :

816f0608-1301ffff [PowerSupplyElementName] Configuration is OK. (PS Configuration)

Explanation: This message is for the use case when an implementation when a Power Supply configuration is OK.

Internal Event: No

Severity: Info

Alert Category: Critical - Power

Serviceable: No

CIM Information: Prefix: PLAT and ID: 0105

SNMP Trap ID: 4

Automatically notify Support: No

User response: No action; information only.

816f070c-2001ffff Configuration error for [PhysicalMemoryElementName] on Subsystem [MemoryElementName]has deasserted. (DIMM 1)

Explanation: This message is for the use case when an implementation has detected a Memory DIMM configuration error has deasserted.

Internal Event: No

Severity: Info

Alert Category: Critical - Memory

Serviceable: No

CIM Information: Prefix: PLAT and ID: 0127

SNMP Trap ID: 41

Automatically notify Support: No

User response: No action; information only.

816f070c-2002ffff Configuration error for [PhysicalMemoryElementName] on Subsystem [MemoryElementName]has deasserted. (DIMM 2)

Explanation: This message is for the use case when an implementation has detected a Memory DIMM configuration error has deasserted.

Internal Event: No

Severity: Info

Alert Category: Critical - Memory

Serviceable: No

CIM Information: Prefix: PLAT and ID: 0127

SNMP Trap ID: 41

Automatically notify Support: No

User response: No action; information only.

816f070c-2003ffff Configuration error for [PhysicalMemoryElementName] on Subsystem [MemoryElementName]has deasserted. (DIMM 3)

Explanation: This message is for the use case when an implementation has detected a Memory DIMM configuration error has deasserted.

Internal Event: No

Severity: Info

Alert Category: Critical - Memory

Serviceable: No

CIM Information: Prefix: PLAT and ID: 0127

SNMP Trap ID: 41

Automatically notify Support: No

User response: No action; information only.

816f070c-2004ffff Configuration error for [PhysicalMemoryElementName] on Subsystem [MemoryElementName]has deasserted. (DIMM 4)

Explanation: This message is for the use case when an implementation has detected a Memory DIMM configuration error has deasserted.

Internal Event: No

Severity: Info

Alert Category: Critical - Memory

Serviceable: No

CIM Information: Prefix: PLAT and ID: 0127

SNMP Trap ID: 41

Automatically notify Support: No

User response: No action; information only.

816f070c-2005ffff Configuration error for [PhysicalMemoryElementName] on Subsystem [MemoryElementName]has deasserted. (DIMM 5)

Explanation: This message is for the use case when an implementation has detected a Memory DIMM configuration error has deasserted.

Internal Event: No

Severity: Info

Alert Category: Critical - Memory

Serviceable: No

CIM Information: Prefix: PLAT and ID: 0127

SNMP Trap ID: 41

Automatically notify Support: No

User response: No action; information only.

816f070c-2006ffff Configuration error for [PhysicalMemoryElementName] on Subsystem [MemoryElementName]has deasserted. (DIMM 6)

Explanation: This message is for the use case when an implementation has detected a Memory DIMM configuration error has deasserted.

Internal Event: No

Severity: Info

Alert Category: Critical - Memory

Serviceable: No

CIM Information: Prefix: PLAT and ID: 0127

SNMP Trap ID: 41

Automatically notify Support: No

User response: No action; information only.

816f070c-2007ffff Configuration error for [PhysicalMemoryElementName] on Subsystem [MemoryElementName]has deasserted. (DIMM 7)

Explanation: This message is for the use case when an implementation has detected a Memory DIMM configuration error has deasserted.

Internal Event: No

Severity: Info

Alert Category: Critical - Memory

Serviceable: No

CIM Information: Prefix: PLAT and ID: 0127

SNMP Trap ID: 41

Automatically notify Support: No

User response: No action; information only.

816f070c-2008ffff Configuration error for [PhysicalMemoryElementName] on Subsystem [MemoryElementName]has deasserted. (DIMM 8)

Explanation: This message is for the use case when an implementation has detected a Memory DIMM configuration error has deasserted.

Internal Event: No

Severity: Info

Alert Category: Critical - Memory

Serviceable: No

CIM Information: Prefix: PLAT and ID: 0127

SNMP Trap ID: 41

Automatically notify Support: No

User response: No action; information only.

816f070c-2009ffff Configuration error for [PhysicalMemoryElementName] on Subsystem [MemoryElementName]has deasserted. (DIMM 9)

Explanation: This message is for the use case when an implementation has detected a Memory DIMM configuration error has deasserted.

Internal Event: No

Severity: Info

816f070c-200affff • 816f070c-200effff

Alert Category: Critical - Memory

Serviceable: No

CIM Information: Prefix: PLAT and ID: 0127

SNMP Trap ID: 41

Automatically notify Support: No

User response: No action; information only.

816f070c-200affff Configuration error for [PhysicalMemoryElementName] on Subsystem [MemoryElementName]has deasserted. (DIMM 10)

Explanation: This message is for the use case when an implementation has detected a Memory DIMM configuration error has deasserted.

Internal Event: No

Severity: Info

Alert Category: Critical - Memory

Serviceable: No

CIM Information: Prefix: PLAT and ID: 0127

SNMP Trap ID: 41

Automatically notify Support: No

User response: No action; information only.

816f070c-200bffff Configuration error for [PhysicalMemoryElementName] on Subsystem [MemoryElementName]has deasserted. (DIMM 11)

Explanation: This message is for the use case when an implementation has detected a Memory DIMM configuration error has deasserted.

Internal Event: No

Severity: Info

Alert Category: Critical - Memory

Serviceable: No

CIM Information: Prefix: PLAT and ID: 0127

SNMP Trap ID: 41

Automatically notify Support: No

User response: No action; information only.

816f070c-200cffff Configuration error for [PhysicalMemoryElementName] on Subsystem [MemoryElementName]has deasserted. (DIMM 12)

Explanation: This message is for the use case when an implementation has detected a Memory DIMM configuration error has deasserted.

Internal Event: No

Severity: Info

Alert Category: Critical - Memory

Serviceable: No

CIM Information: Prefix: PLAT and ID: 0127

SNMP Trap ID: 41

Automatically notify Support: No

User response: No action; information only.

816f070c-200dffff Configuration error for [PhysicalMemoryElementName] on Subsystem [MemoryElementName]has deasserted. (DIMM 13)

Explanation: This message is for the use case when an implementation has detected a Memory DIMM configuration error has deasserted.

Internal Event: No

Severity: Info

Alert Category: Critical - Memory

Serviceable: No

CIM Information: Prefix: PLAT and ID: 0127

SNMP Trap ID: 41

Automatically notify Support: No

User response: No action; information only.

816f070c-200effff Configuration error for [PhysicalMemoryElementName] on Subsystem [MemoryElementName]has deasserted. (DIMM 14)

Explanation: This message is for the use case when an implementation has detected a Memory DIMM configuration error has deasserted.

Internal Event: No

Severity: Info

Alert Category: Critical - Memory

Serviceable: No

CIM Information: Prefix: PLAT and ID: 0127

SNMP Trap ID: 41

Automatically notify Support: No

User response: No action; information only.

816f070c-200ffff Configuration error for [PhysicalMemoryElementName] on Subsystem [MemoryElementName]has deasserted. (DIMM 15)

Explanation: This message is for the use case when an implementation has detected a Memory DIMM configuration error has deasserted.

Internal Event: No

Severity: Info

Alert Category: Critical - Memory

Serviceable: No

CIM Information: Prefix: PLAT and ID: 0127

SNMP Trap ID: 41

Automatically notify Support: No

User response: No action; information only.

816f070c-2010ffff Configuration error for [PhysicalMemoryElementName] on Subsystem [MemoryElementName]has deasserted. (DIMM 16)

Explanation: This message is for the use case when an implementation has detected a Memory DIMM configuration error has deasserted.

Internal Event: No

Severity: Info

Alert Category: Critical - Memory

Serviceable: No

CIM Information: Prefix: PLAT and ID: 0127

SNMP Trap ID: 41

Automatically notify Support: No

User response: No action; information only.

816f070c-2581ffff Configuration error for [PhysicalMemoryElementName] on Subsystem [MemoryElementName]has deasserted. (All DIMMS)

Explanation: This message is for the use case when an implementation has detected a Memory DIMM configuration error has deasserted.

Internal Event: No

Severity: Info

Alert Category: Critical - Memory

Serviceable: No

CIM Information: Prefix: PLAT and ID: 0127

SNMP Trap ID: 41

Automatically notify Support: No

User response: No action; information only. One of the DIMMs :

816f0807-0301ffff [ProcessorElementName] has been Enabled. (CPU 1)

Explanation: This message is for the use case when an implementation has detected a Processor has been Enabled.

Internal Event: No

Severity: Info

Alert Category: System - Other

Serviceable: No

CIM Information: Prefix: PLAT and ID: 0060

SNMP Trap ID:

Automatically notify Support: No

User response: No action; information only.

816f0807-0302ffff [ProcessorElementName] has been Enabled. (CPU 2)

Explanation: This message is for the use case when an implementation has detected a Processor has been Enabled.

Internal Event: No

Severity: Info

Alert Category: System - Other

Serviceable: No

CIM Information: Prefix: PLAT and ID: 0060

SNMP Trap ID:

Automatically notify Support: No

User response: No action; information only.

816f0807-2584ffff [ProcessorElementName] has been Enabled. (All CPUs)

Explanation: This message is for the use case when an implementation has detected a Processor has been Enabled.

Internal Event: No

Severity: Info

Alert Category: System - Other

Serviceable: No

CIM Information: Prefix: PLAT and ID: 0060

SNMP Trap ID:

Automatically notify Support: No

User response: No action; information only. One of the CPUs :

816f0813-2581ffff System
[ComputerSystemElementName]has recovered from an Uncorrectable Bus Error. (DIMMs)

Explanation: This message is for the use case when an implementation has detected a that a system has recovered from a Bus Uncorrectable Error.

Internal Event: No

Severity: Info

Alert Category: Critical - Other

Serviceable: No

CIM Information: Prefix: PLAT and ID: 0241

SNMP Trap ID: 50

Automatically notify Support: No

User response: No action; information only.

816f0813-2582ffff System
[ComputerSystemElementName]has recovered from an Uncorrectable Bus Error. (PCIs)

Explanation: This message is for the use case when an implementation has detected a that a system has recovered from a Bus Uncorrectable Error.

Internal Event: No

Severity: Info

Alert Category: Critical - Other

Serviceable: No

CIM Information: Prefix: PLAT and ID: 0241

SNMP Trap ID: 50

Automatically notify Support: No

User response: No action; information only.

816f0813-2584ffff System
[ComputerSystemElementName]has recovered from an Uncorrectable Bus Error. (CPUs)

Explanation: This message is for the use case when an implementation has detected a that a system has recovered from a Bus Uncorrectable Error.

Internal Event: No

Severity: Info

Alert Category: Critical - Other

Serviceable: No

CIM Information: Prefix: PLAT and ID: 0241

SNMP Trap ID: 50

Automatically notify Support: No

User response: No action; information only.

816f090c-2001ffff [PhysicalMemoryElementName] on Subsystem [MemoryElementName] is no longer Throttled. (DIMM 1)

Explanation: This message is for the use case when an implementation has detected Memory is no longer Throttled.

Internal Event: No

Severity: Info

Alert Category: System - Other

Serviceable: No

CIM Information: Prefix: PLAT and ID: 0143

SNMP Trap ID:

Automatically notify Support: No

User response: No action; information only.

816f090c-2002ffff [PhysicalMemoryElementName] on Subsystem [MemoryElementName] is no longer Throttled. (DIMM 2)

Explanation: This message is for the use case when an implementation has detected Memory is no longer Throttled.

Internal Event: No

Severity: Info

Alert Category: System - Other

Serviceable: No

CIM Information: Prefix: PLAT and ID: 0143

SNMP Trap ID:

Automatically notify Support: No

User response: No action; information only.

816f090c-2003ffff [PhysicalMemoryElementName] on Subsystem [MemoryElementName] is no longer Throttled. (DIMM 3)

Explanation: This message is for the use case when an implementation has detected Memory is no longer Throttled.

Internal Event: No

Severity: Info

Alert Category: System - Other

Serviceable: No

CIM Information: Prefix: PLAT and ID: 0143

SNMP Trap ID:

Automatically notify Support: No

User response: No action; information only.

816f090c-2004ffff [PhysicalMemoryElementName]
on Subsystem [MemoryElementName]
is no longer Throttled. (DIMM 4)

Explanation: This message is for the use case when an implementation has detected Memory is no longer Throttled.

Internal Event: No

Severity: Info

Alert Category: System - Other

Serviceable: No

CIM Information: Prefix: PLAT and ID: 0143

SNMP Trap ID:

Automatically notify Support: No

User response: No action; information only.

816f090c-2005ffff [PhysicalMemoryElementName]
on Subsystem [MemoryElementName]
is no longer Throttled. (DIMM 5)

Explanation: This message is for the use case when an implementation has detected Memory is no longer Throttled.

Internal Event: No

Severity: Info

Alert Category: System - Other

Serviceable: No

CIM Information: Prefix: PLAT and ID: 0143

SNMP Trap ID:

Automatically notify Support: No

User response: No action; information only.

816f090c-2006ffff [PhysicalMemoryElementName]
on Subsystem [MemoryElementName]
is no longer Throttled. (DIMM 6)

Explanation: This message is for the use case when an implementation has detected Memory is no longer Throttled.

Internal Event: No

Severity: Info

Alert Category: System - Other

Serviceable: No

CIM Information: Prefix: PLAT and ID: 0143

SNMP Trap ID:

Automatically notify Support: No

User response: No action; information only.

816f090c-2007ffff [PhysicalMemoryElementName]
on Subsystem [MemoryElementName]
is no longer Throttled. (DIMM 7)

Explanation: This message is for the use case when an implementation has detected Memory is no longer Throttled.

Internal Event: No

Severity: Info

Alert Category: System - Other

Serviceable: No

CIM Information: Prefix: PLAT and ID: 0143

SNMP Trap ID:

Automatically notify Support: No

User response: No action; information only.

816f090c-2008ffff [PhysicalMemoryElementName]
on Subsystem [MemoryElementName]
is no longer Throttled. (DIMM 8)

Explanation: This message is for the use case when an implementation has detected Memory is no longer Throttled.

Internal Event: No

Severity: Info

Alert Category: System - Other

Serviceable: No

CIM Information: Prefix: PLAT and ID: 0143

SNMP Trap ID:

Automatically notify Support: No

User response: No action; information only.

816f090c-2009ffff [PhysicalMemoryElementName]
on Subsystem [MemoryElementName]
is no longer Throttled. (DIMM 9)

Explanation: This message is for the use case when an implementation has detected Memory is no longer Throttled.

Internal Event: No

Severity: Info

Alert Category: System - Other

Serviceable: No

816f090c-200affff • 816f090c-200ffff

CIM Information: Prefix: PLAT and ID: 0143

SNMP Trap ID:

Automatically notify Support: No

User response: No action; information only.

816f090c-200affff [PhysicalMemoryElementName]
on Subsystem [MemoryElementName]
is no longer Throttled. (DIMM 10)

Explanation: This message is for the use case when an implementation has detected Memory is no longer Throttled.

Internal Event: No

Severity: Info

Alert Category: System - Other

Serviceable: No

CIM Information: Prefix: PLAT and ID: 0143

SNMP Trap ID:

Automatically notify Support: No

User response: No action; information only.

816f090c-200bffff [PhysicalMemoryElementName]
on Subsystem [MemoryElementName]
is no longer Throttled. (DIMM 11)

Explanation: This message is for the use case when an implementation has detected Memory is no longer Throttled.

Internal Event: No

Severity: Info

Alert Category: System - Other

Serviceable: No

CIM Information: Prefix: PLAT and ID: 0143

SNMP Trap ID:

Automatically notify Support: No

User response: No action; information only.

816f090c-200cffff [PhysicalMemoryElementName]
on Subsystem [MemoryElementName]
is no longer Throttled. (DIMM 12)

Explanation: This message is for the use case when an implementation has detected Memory is no longer Throttled.

Internal Event: No

Severity: Info

Alert Category: System - Other

Serviceable: No

CIM Information: Prefix: PLAT and ID: 0143

SNMP Trap ID:

Automatically notify Support: No

User response: No action; information only.

816f090c-200dffff [PhysicalMemoryElementName]
on Subsystem [MemoryElementName]
is no longer Throttled. (DIMM 13)

Explanation: This message is for the use case when an implementation has detected Memory is no longer Throttled.

Internal Event: No

Severity: Info

Alert Category: System - Other

Serviceable: No

CIM Information: Prefix: PLAT and ID: 0143

SNMP Trap ID:

Automatically notify Support: No

User response: No action; information only.

816f090c-200effff [PhysicalMemoryElementName]
on Subsystem [MemoryElementName]
is no longer Throttled. (DIMM 14)

Explanation: This message is for the use case when an implementation has detected Memory is no longer Throttled.

Internal Event: No

Severity: Info

Alert Category: System - Other

Serviceable: No

CIM Information: Prefix: PLAT and ID: 0143

SNMP Trap ID:

Automatically notify Support: No

User response: No action; information only.

816f090c-200fffff [PhysicalMemoryElementName]
on Subsystem [MemoryElementName]
is no longer Throttled. (DIMM 15)

Explanation: This message is for the use case when an implementation has detected Memory is no longer Throttled.

Internal Event: No

Severity: Info

Alert Category: System - Other

Serviceable: No

CIM Information: Prefix: PLAT and ID: 0143

SNMP Trap ID:

Automatically notify Support: No

User response: No action; information only.

816f090c-2010ffff [PhysicalMemoryElementName] on Subsystem [MemoryElementName] is no longer Throttled. (DIMM 16)

Explanation: This message is for the use case when an implementation has detected Memory is no longer Throttled.

Internal Event: No

Severity: Info

Alert Category: System - Other

Serviceable: No

CIM Information: Prefix: PLAT and ID: 0143

SNMP Trap ID:

Automatically notify Support: No

User response: No action; information only.

816f0a07-0301ffff The Processor [ProcessorElementName] is no longer operating in a Degraded State. (CPU 1)

Explanation: This message is for the use case when an implementation has detected a Processor is no longer running in the Degraded state.

Internal Event: No

Severity: Info

Alert Category: Warning - CPU

Serviceable: No

CIM Information: Prefix: PLAT and ID: 0039

SNMP Trap ID: 42

Automatically notify Support: No

User response: No action; information only.

816f0a07-0302ffff The Processor [ProcessorElementName] is no longer operating in a Degraded State. (CPU 2)

Explanation: This message is for the use case when an implementation has detected a Processor is no longer running in the Degraded state.

Internal Event: No

Severity: Info

Alert Category: Warning - CPU

Serviceable: No

CIM Information: Prefix: PLAT and ID: 0039

SNMP Trap ID: 42

Automatically notify Support: No

User response: No action; information only.

816f0a0c-2001ffff An Over-Temperature Condition has been removed on the [PhysicalMemoryElementName] on Subsystem [MemoryElementName]. (DIMM 1)

Explanation: This message is for the use case when an implementation has detected an Over Temperature Condition for Memory that has been Removed.

Internal Event: No

Severity: Info

Alert Category: Critical - Temperature

Serviceable: No

CIM Information: Prefix: PLAT and ID: 0147

SNMP Trap ID: 0

Automatically notify Support: No

User response: No action; information only.

816f0a0c-2002ffff An Over-Temperature Condition has been removed on the [PhysicalMemoryElementName] on Subsystem [MemoryElementName]. (DIMM 2)

Explanation: This message is for the use case when an implementation has detected an Over Temperature Condition for Memory that has been Removed.

Internal Event: No

Severity: Info

Alert Category: Critical - Temperature

Serviceable: No

CIM Information: Prefix: PLAT and ID: 0147

SNMP Trap ID: 0

Automatically notify Support: No

User response: No action; information only.

816f0a0c-2003ffff An Over-Temperature Condition has been removed on the [PhysicalMemoryElementName] on Subsystem [MemoryElementName]. (DIMM 3)

Explanation: This message is for the use case when an implementation has detected an Over Temperature Condition for Memory that has been Removed.

Internal Event: No
Severity: Info
Alert Category: Critical - Temperature
Serviceable: No
CIM Information: Prefix: PLAT and ID: 0147
SNMP Trap ID: 0
Automatically notify Support: No
User response: No action; information only.

816f0a0c-2004ffff An Over-Temperature Condition has been removed on the [PhysicalMemoryElementName] on Subsystem [MemoryElementName]. (DIMM 4)

Explanation: This message is for the use case when an implementation has detected an Over Temperature Condition for Memory that has been Removed.

Internal Event: No
Severity: Info
Alert Category: Critical - Temperature
Serviceable: No
CIM Information: Prefix: PLAT and ID: 0147
SNMP Trap ID: 0
Automatically notify Support: No
User response: No action; information only.

816f0a0c-2005ffff An Over-Temperature Condition has been removed on the [PhysicalMemoryElementName] on Subsystem [MemoryElementName]. (DIMM 5)

Explanation: This message is for the use case when an implementation has detected an Over Temperature Condition for Memory that has been Removed.

Internal Event: No
Severity: Info
Alert Category: Critical - Temperature
Serviceable: No
CIM Information: Prefix: PLAT and ID: 0147
SNMP Trap ID: 0
Automatically notify Support: No
User response: No action; information only.

816f0a0c-2006ffff An Over-Temperature Condition has been removed on the [PhysicalMemoryElementName] on Subsystem [MemoryElementName]. (DIMM 6)

Explanation: This message is for the use case when an implementation has detected an Over Temperature Condition for Memory that has been Removed.

Internal Event: No
Severity: Info
Alert Category: Critical - Temperature
Serviceable: No
CIM Information: Prefix: PLAT and ID: 0147
SNMP Trap ID: 0
Automatically notify Support: No
User response: No action; information only.

816f0a0c-2007ffff An Over-Temperature Condition has been removed on the [PhysicalMemoryElementName] on Subsystem [MemoryElementName]. (DIMM 7)

Explanation: This message is for the use case when an implementation has detected an Over Temperature Condition for Memory that has been Removed.

Internal Event: No
Severity: Info
Alert Category: Critical - Temperature
Serviceable: No
CIM Information: Prefix: PLAT and ID: 0147
SNMP Trap ID: 0
Automatically notify Support: No
User response: No action; information only.

816f0a0c-2008ffff An Over-Temperature Condition has been removed on the [PhysicalMemoryElementName] on Subsystem [MemoryElementName]. (DIMM 8)

Explanation: This message is for the use case when an implementation has detected an Over Temperature Condition for Memory that has been Removed.

Internal Event: No
Severity: Info
Alert Category: Critical - Temperature
Serviceable: No

CIM Information: Prefix: PLAT and ID: 0147

SNMP Trap ID: 0

Automatically notify Support: No

User response: No action; information only.

816f0a0c-2009ffff An Over-Temperature Condition has been removed on the [PhysicalMemoryElementName] on Subsystem [MemoryElementName]. (DIMM 9)

Explanation: This message is for the use case when an implementation has detected an Over Temperature Condition for Memory that has been Removed.

Internal Event: No

Severity: Info

Alert Category: Critical - Temperature

Serviceable: No

CIM Information: Prefix: PLAT and ID: 0147

SNMP Trap ID: 0

Automatically notify Support: No

User response: No action; information only.

816f0a0c-200affff An Over-Temperature Condition has been removed on the [PhysicalMemoryElementName] on Subsystem [MemoryElementName]. (DIMM 10)

Explanation: This message is for the use case when an implementation has detected an Over Temperature Condition for Memory that has been Removed.

Internal Event: No

Severity: Info

Alert Category: Critical - Temperature

Serviceable: No

CIM Information: Prefix: PLAT and ID: 0147

SNMP Trap ID: 0

Automatically notify Support: No

User response: No action; information only.

816f0a0c-200bffff An Over-Temperature Condition has been removed on the [PhysicalMemoryElementName] on Subsystem [MemoryElementName]. (DIMM 11)

Explanation: This message is for the use case when an implementation has detected an Over Temperature Condition for Memory that has been Removed.

Internal Event: No

Severity: Info

Alert Category: Critical - Temperature

Serviceable: No

CIM Information: Prefix: PLAT and ID: 0147

SNMP Trap ID: 0

Automatically notify Support: No

User response: No action; information only.

816f0a0c-200cffff An Over-Temperature Condition has been removed on the [PhysicalMemoryElementName] on Subsystem [MemoryElementName]. (DIMM 12)

Explanation: This message is for the use case when an implementation has detected an Over Temperature Condition for Memory that has been Removed.

Internal Event: No

Severity: Info

Alert Category: Critical - Temperature

Serviceable: No

CIM Information: Prefix: PLAT and ID: 0147

SNMP Trap ID: 0

Automatically notify Support: No

User response: No action; information only.

816f0a0c-200dffff An Over-Temperature Condition has been removed on the [PhysicalMemoryElementName] on Subsystem [MemoryElementName]. (DIMM 13)

Explanation: This message is for the use case when an implementation has detected an Over Temperature Condition for Memory that has been Removed.

Internal Event: No

Severity: Info

Alert Category: Critical - Temperature

Serviceable: No

CIM Information: Prefix: PLAT and ID: 0147

SNMP Trap ID: 0

Automatically notify Support: No

User response: No action; information only.

816f0a0c-200effff An Over-Temperature Condition has been removed on the [PhysicalMemoryElementName] on Subsystem [MemoryElementName]. (DIMM 14)

Explanation: This message is for the use case when an implementation has detected an Over Temperature Condition for Memory that has been Removed.

Internal Event: No

Severity: Info

Alert Category: Critical - Temperature

Serviceable: No

CIM Information: Prefix: PLAT and ID: 0147

SNMP Trap ID: 0

Automatically notify Support: No

User response: No action; information only.

816f0a0c-200fffff An Over-Temperature Condition has been removed on the [PhysicalMemoryElementName] on Subsystem [MemoryElementName]. (DIMM 15)

Explanation: This message is for the use case when an implementation has detected an Over Temperature Condition for Memory that has been Removed.

Internal Event: No

Severity: Info

Alert Category: Critical - Temperature

Serviceable: No

CIM Information: Prefix: PLAT and ID: 0147

SNMP Trap ID: 0

Automatically notify Support: No

User response: No action; information only.

816f0a0c-2010ffff An Over-Temperature Condition has been removed on the [PhysicalMemoryElementName] on Subsystem [MemoryElementName]. (DIMM 16)

Explanation: This message is for the use case when an implementation has detected an Over Temperature Condition for Memory that has been Removed.

Internal Event: No

Severity: Info

Alert Category: Critical - Temperature

Serviceable: No

CIM Information: Prefix: PLAT and ID: 0147

SNMP Trap ID: 0

Automatically notify Support: No

User response: No action; information only.

816f0a13-0301ffff System [ComputerSystemElementName] has recovered from a Fatal Bus Error. (CPU 1 PECI)

Explanation: This message is for the use case when an implementation has detected that a system has recovered from a Bus Fatal Error.

Internal Event: No

Severity: Info

Alert Category: Critical - Other

Serviceable: No

CIM Information: Prefix: PLAT and ID: 0245

SNMP Trap ID: 50

Automatically notify Support: No

User response:

1. (Trained technician only) Replace microprocessor n (see Removing a microprocessor and heat sink and Replacing a microprocessor and heat sink).
2. If the problem persists and there is no other CPU with the same error indication, replace the system board.
3. (Trained technician only) Replace the system board (see Removing the system board and Replacing the system board). (n = microprocessor number)

816f0a13-0302ffff System [ComputerSystemElementName] has recovered from a Fatal Bus Error. (CPU 2 PECI)

Explanation: This message is for the use case when an implementation has detected that a system has recovered from a Bus Fatal Error.

Internal Event: No

Severity: Info

Alert Category: Critical - Other

Serviceable: No

CIM Information: Prefix: PLAT and ID: 0245

SNMP Trap ID: 50

Automatically notify Support: No

User response:

1. (Trained technician only) Replace microprocessor n (see Removing a microprocessor and heat sink and Replacing a microprocessor and heat sink).
2. If the problem persists and there is no other CPU with the same error indication, replace the system board.
3. (Trained technician only) Replace the system board (see Removing the system board and Replacing the system board). (n = microprocessor number)

Checkout procedure

The checkout procedure is the sequence of tasks that you should follow to diagnose a problem in the server.

About the checkout procedure

Before you perform the checkout procedure for diagnosing hardware problems, review the following information:

- Read the safety information that begins on page vii.
- The diagnostic programs provide the primary methods of testing the major components of the server, such as the system board, Ethernet controller, keyboard, mouse (pointing device), serial ports, and hard disk drives. You can also use them to test some external devices. If you are not sure whether a problem is caused by the hardware or by the software, you can use the diagnostic programs to confirm that the hardware is working correctly.
- When you run the diagnostic programs, a single problem might cause more than one error message. When this happens, correct the cause of the first error message. The other error messages usually will not occur the next time you run the diagnostic programs.

Exception: If multiple error codes or light path diagnostics LEDs indicate a microprocessor error, the error might be in the microprocessor or in the microprocessor socket. See “Microprocessor problems” on page 177 for information about diagnosing microprocessor problems.

- Before you run the diagnostic programs, you must determine whether the failing server is part of a shared hard disk drive cluster (two or more servers sharing external storage devices). If it is part of a cluster, you can run all diagnostic programs except the ones that test the storage unit (that is, a hard disk drive in the storage unit) or the storage adapter that is attached to the storage unit. The failing server might be part of a cluster if any of the following conditions is true:
 - You have identified the failing server as part of a cluster (two or more servers sharing external storage devices).
 - One or more external storage units are attached to the failing server and at least one of the attached storage units is also attached to another server or unidentifiable device.
 - One or more servers are located near the failing server.

Important: If the server is part of a shared hard disk drive cluster, run one test at a time. Do not run any suite of tests, such as “quick” or “normal” tests, because this might enable the hard disk drive diagnostic tests.

- If the server is halted and a POST error code is displayed, see “Event logs” on page 18. If the server is halted and no error message is displayed, see “Troubleshooting tables” on page 170 and “Solving undetermined problems” on page 259.
- For information about power-supply problems, see “Solving power problems” on page 258.
- For intermittent problems, check the error log; see “Event logs” on page 18 and “Diagnostic programs and messages” on page 192.

Performing the checkout procedure

To perform the checkout procedure, complete the following steps:

1. Is the server part of a cluster?

- **No:** Go to step 2.
 - **Yes:** Shut down all failing servers that are related to the cluster. Go to step 2.
2. Complete the following steps:
- a. Check the power supply LEDs (see “Power-supply LEDs” on page 190).
 - b. Turn off the server and all external devices.
 - c. Check all internal and external devices for compatibility at <http://www.ibm.com/systems/info/x86servers/serverproven/compat/us/>.
 - d. Check all cables and power cords.
 - e. Set all display controls to the middle positions.
 - f. Turn on all external devices.
 - g. Turn on the server. If the server does not start, see “Troubleshooting tables” on page 170.
 - h. Check the system-error LED on the operator information panel. If it is lit or flashing, check the light path diagnostics LEDs (see “Light path diagnostics” on page 189).
 - i. Check for the following results:
 - Successful completion of POST (see “POST” on page 20 for more information)
 - Successful completion of startup

Troubleshooting tables

Use the troubleshooting tables to find solutions to problems that have identifiable symptoms.

If you cannot find a problem in these tables, see “Running the diagnostic programs” on page 192 for information about testing the server.

If you have just added new software or a new optional device and the server is not working, complete the following steps before you use the troubleshooting tables:

1. Check the system-error LED on the operator information panel; if it is lit, check the light path diagnostics LEDs (see “Light path diagnostics” on page 189).
2. Remove the software or device that you just added.
3. Run the diagnostic tests to determine whether the server is running correctly.
4. Reinstall the new software or new device.

General problems

<ul style="list-style-type: none">• Follow the suggested actions in the order in which they are listed in the Action column until the problem is solved.• If an action step is preceded by “(Trained service technician only),” that step must be performed only by a Trained service technician.• Go to the IBM support web site at http://www.ibm.com/supportportal/ to check for technical information, hints, tips, and new device drivers or to submit a request for information.	
Symptom	Action
A cover latch is broken, an LED is not working, or a similar problem has occurred.	If the part is a CRU, replace it. If the part is a microprocessor or the system board, the part must be replaced by a trained technician.
The server is hung while the screen is on. Cannot start the Setup utility by pressing F1.	<ol style="list-style-type: none">1. See “Nx boot failure” on page 257 for more information.2. See “Recovering the server firmware” on page 255 for more information.

Hard disk drive problems

<ul style="list-style-type: none">• Follow the suggested actions in the order in which they are listed in the Action column until the problem is solved.• If an action step is preceded by “(Trained technician only),” that step must be performed only by a Trained service technician.• Go to the IBM support website at http://www.ibm.com/supportportal/ to check for technical information, hints, tips, and new device drivers or to submit a request for information.	
Symptom	Action
A hard disk drive has failed, and the associated yellow hard disk drive status LED is lit.	Replace the failed hard disk drive (see “Removing a simple-swap hard disk drive” on page 295 and “Installing a simple-swap hard disk drive” on page 296).

- Follow the suggested actions in the order in which they are listed in the Action column until the problem is solved.
- If an action step is preceded by “(Trained technician only),” that step must be performed only by a Trained service technician.
- Go to the IBM support website at <http://www.ibm.com/supportportal/> to check for technical information, hints, tips, and new device drivers or to submit a request for information.

Symptom	Action
A newly installed hard disk drive is not recognized.	<ol style="list-style-type: none"> 1. Make sure that the installed hard disk drive or RAID adapter is supported. For a list of supported optional devices, see http://www.ibm.com/systems/info/x86servers/serverproven/compat/us/. 2. Observe the associated yellow hard disk drive status LED. If the LED is lit, it indicates a drive fault. 3. If the LED is lit, remove the drive from the bay, wait 45 seconds, and reinsert the drive, making sure that the drive assembly connects to the hard disk drive backplane. 4. Observe the associated green hard disk drive activity LED and the yellow status LED: <ul style="list-style-type: none"> • If the green activity LED is flashing and the yellow status LED is not lit, the drive is recognized by the controller and is working correctly. Run the DSA diagnostics program to determine whether the drive is detected. • If the green activity LED is flashing and the yellow status LED is flashing slowly, the drive is recognized by the controller and is rebuilding. • If neither LED is lit or flashing, check the hard disk drive backplane (go to step 5). • If the green activity LED is flashing and the yellow status LED is lit, replace the drive. If the activity of the LEDs remains the same, go to step 5. If the activity of the LEDs changes, return to step 2. 5. Make sure that the hard disk drive backplane is correctly seated. When it is correctly seated, the drive assemblies correctly connect to the backplane without bowing or causing movement of the backplane. 6. Reseat the backplane power cable and repeat steps 2 through 4. 7. Reseat the backplane signal cable and repeat steps 2 through 4. 8. Suspect the backplane signal cable or the backplane: <ul style="list-style-type: none"> • If the server has eight hot-swap bays: <ol style="list-style-type: none"> a. Replace the affected backplane signal cable. b. Replace the affected backplane. 9. See “Problem determination tips” on page 260.
Multiple hard disk drives fail.	<p>Make sure that the hard disk drive, SAS/SATA adapter, and server device drivers and firmware are at the latest level.</p> <p>Important: Some cluster solutions require specific code levels or coordinated code updates. If the device is part of a cluster solution, verify that the latest level of code is supported for the cluster solution before you update the code.</p>
Multiple hard disk drives are offline.	<ol style="list-style-type: none"> 1. Review the storage subsystem logs for indications of problems within the storage subsystem, such as backplane or cable problems. 2. See “Problem determination tips” on page 260.
A replacement hard disk drive does not rebuild.	<ol style="list-style-type: none"> 1. Make sure that the hard disk drive is recognized by the adapter (the green hard disk drive activity LED is flashing). 2. Review the SAS/SATA adapter documentation to determine the correct configuration parameters and settings.

<ul style="list-style-type: none"> • Follow the suggested actions in the order in which they are listed in the Action column until the problem is solved. • If an action step is preceded by “(Trained technician only),” that step must be performed only by a Trained service technician. • Go to the IBM support website at http://www.ibm.com/supportportal/ to check for technical information, hints, tips, and new device drivers or to submit a request for information. 	
Symptom	Action
A green hard disk drive activity LED does not accurately represent the actual state of the associated drive.	<p>If the green hard disk drive activity LED does not flash when the drive is in use, run the DSA Preboot diagnostic programs to collect error logs (see “Running the diagnostic programs” on page 192).</p> <ul style="list-style-type: none"> • If there is a hard disk drive error log, replace the affected hard disk drive. • If there is no disk drive error log error log, replace the affected backplane.
An yellow hard disk drive status LED does not accurately represent the actual state of the associated drive.	<ol style="list-style-type: none"> 1. If the yellow hard disk drive LED and the RAID adapter software do not indicate the same status for the drive, complete the following steps: <ol style="list-style-type: none"> a. Turn off the server. b. Reseat the SAS/SATA adapter. c. Reseat the backplane signal cable and backplane power cable. d. Reseat the hard disk drive. e. Turn on the server and observe the activity of the hard disk drive LEDs. 2. See “Problem determination tips” on page 260.

Intermittent problems

<ul style="list-style-type: none"> • Follow the suggested actions in the order in which they are listed in the Action column until the problem is solved. • If an action step is preceded by “(Trained technician only),” that step must be performed only by a Trained service technician. • Go to the IBM support website at http://www.ibm.com/supportportal/ to check for technical information, hints, tips, and new device drivers or to submit a request for information. 	
Symptom	Action
A problem occurs only occasionally and is difficult to diagnose.	<ol style="list-style-type: none"> 1. Make sure that: <ul style="list-style-type: none"> • All cables and cords are connected securely to the rear of the server and attached devices. • When the server is turned on, air is flowing from the fan grille. If there is no airflow, the fan is not working. This can cause the server to overheat and shut down. 2. Check the system-error log or IMM2 system event log (see “Event logs” on page 18).

<ul style="list-style-type: none"> • Follow the suggested actions in the order in which they are listed in the Action column until the problem is solved. • If an action step is preceded by “(Trained technician only),” that step must be performed only by a Trained service technician. • Go to the IBM support website at http://www.ibm.com/supportportal/ to check for technical information, hints, tips, and new device drivers or to submit a request for information. 	
Symptom	Action
The server resets (restarts) occasionally.	<ol style="list-style-type: none"> 1. If the reset occurs during POST and the POST watchdog timer is enabled (click System Settings --> Integrated Management Module --> POST Watchdog Timer in the Setup utility to see the POST watchdog setting), make sure that sufficient time is allowed in the watchdog timeout value (POST Watchdog Timer). If the server continues to reset during POST, see “POST” on page 20 and “Diagnostic programs and messages” on page 192. 2. If the reset occurs after the operating system starts, disable any automatic server restart (ASR) utilities, such as the IBM Automatic Server Restart IPMI Application for Windows, or any ASR devices that are be installed. Note: ASR utilities operate as operating-system utilities and are related to the IPMI device driver. If the reset continues to occur after the operating system starts, the operating system might have a problem; see “Software problems” on page 189. 3. If neither condition applies, check the system-error log or IMM2 system-event log (see “Event logs” on page 18).

Keyboard, mouse, or pointing-device problems

<ul style="list-style-type: none"> • Follow the suggested actions in the order in which they are listed in the Action column until the problem is solved. • If an action step is preceded by “(Trained technician only),” that step must be performed only by a Trained service technician. • Go to the IBM support website at http://www.ibm.com/supportportal/ to check for technical information, hints, tips, and new device drivers or to submit a request for information. 	
Symptom	Action
All or some keys on the keyboard do not work.	<ol style="list-style-type: none"> 1. Make sure that: <ul style="list-style-type: none"> • The keyboard cable is securely connected. • The server and the monitor are turned on. 2. If you are using a USB keyboard, run the Setup utility and enable keyboardless operation. 3. If you are using a USB keyboard and it is connected to a USB hub, disconnect the keyboard from the hub and connect it directly to the server. 4. Replace the following components one at a time, in the order shown, restarting the server each time: <ol style="list-style-type: none"> a. Keyboard b. (Trained service technician only) System board

- Follow the suggested actions in the order in which they are listed in the Action column until the problem is solved.
- If an action step is preceded by “(Trained technician only),” that step must be performed only by a Trained service technician.
- Go to the IBM support website at <http://www.ibm.com/supportportal/> to check for technical information, hints, tips, and new device drivers or to submit a request for information.

Symptom	Action
The mouse or pointing device does not work.	<ol style="list-style-type: none"> 1. Make sure that: <ul style="list-style-type: none"> • The mouse or pointing-device cable is securely connected to the server. • If you are using a pointing device, the keyboard and mouse or pointing-device cables are not reversed. • The mouse or pointing-device device drivers are installed correctly. • The server and the monitor are turned on. • The mouse option is enabled in the Setup utility. 2. If you are using a USB mouse or pointing device and it is connected to a USB hub, disconnect the mouse or pointing device from the hub and connect it directly to the server. 3. Replace the following components one at a time, in the order shown, restarting the server each time: <ol style="list-style-type: none"> a. Mouse or pointing device b. (Trained service technician only) System board

Memory problems

- Follow the suggested actions in the order in which they are listed in the Action column until the problem is solved.
- If an action step is preceded by “(Trained technician only),” that step must be performed only by a Trained service technician.
- For additional memory troubleshooting information, refer to the "Troubleshooting Memory - IBM BladeCenter and System x" document at <http://www-947.ibm.com/support/entry/portal/docdisplay?brand=5000020&Indocid=MIGR-5081319>.
- Go to the IBM support website at <http://www.ibm.com/supportportal/> to check for technical information, hints, tips, and new device drivers or to submit a request for information.

Symptom	Action
<p>The amount of system memory that is displayed is less than the amount of installed physical memory.</p>	<p>Note: Each time you install or remove a DIMM, you must disconnect the server from the power source; then, wait 10 seconds before restarting the server.</p> <ol style="list-style-type: none"> 1. Make sure that: <ul style="list-style-type: none"> • No error LEDs are lit on the operator information panel. • No DIMM error LEDs are lit on the system board. • Memory mirroring does not account for the discrepancy. • The memory modules are seated correctly. • You have installed the correct type of memory. • If you changed the memory, you updated the memory configuration in the Setup utility. • All banks of memory are enabled. The server might have automatically disabled a memory bank when it detected a problem, or a memory bank might have been manually disabled. • There is no memory mismatch when the server is at the minimum memory configuration. 2. Reseat the DIMMs, and then restart the server. 3. Check the POST error log: <ul style="list-style-type: none"> • If a DIMM was disabled by a systems-management interrupt (SMI), replace the DIMM. • If a DIMM was disabled by the user or by POST, reseat the DIMM; then, run the Setup utility and enable the DIMM. 4. Check that all DIMMs are initialized in the Setup utility; then, run memory diagnostics (see “Running the diagnostic programs” on page 192). 5. Reverse the DIMMs between the channels (of the same microprocessor), and then restart the server. If the problem is related to a DIMM, replace the failing DIMM. 6. Re-enable all DIMMs using the Setup utility, and then restart the server. 7. (Trained service technician only) Install the failing DIMM into a DIMM connector for microprocessor 2 (if installed) to verify that the problem is not the microprocessor or the DIMM connector. 8. (Trained service technician only) Replace the system board.

- Follow the suggested actions in the order in which they are listed in the Action column until the problem is solved.
- If an action step is preceded by “(Trained technician only),” that step must be performed only by a Trained service technician.
- For additional memory troubleshooting information, refer to the "Troubleshooting Memory - IBM BladeCenter and System x" document at <http://www-947.ibm.com/support/entry/portal/docdisplay?brand=5000020&Indocid=MIGR-5081319>.
- Go to the IBM support website at <http://www.ibm.com/supportportal/> to check for technical information, hints, tips, and new device drivers or to submit a request for information.

Symptom	Action
Multiple DIMMs in a channel are identified as failing.	<p>Note: Each time you install or remove a DIMM, you must disconnect the server from the power source; then, wait 10 seconds before restarting the server.</p> <ol style="list-style-type: none"> 1. Reseat the DIMMs; then, restart the server. 2. Remove the highest-numbered DIMM of those that are identified and replace it with an identical known good DIMM; then, restart the server. Repeat as necessary. If the failures continue after all identified DIMMs are replaced, go to step 4. 3. Return the removed DIMMs, one at a time, to their original connectors, restarting the server after each DIMM, until a DIMM fails. Replace each failing DIMM with an identical known good DIMM, restarting the server after each DIMM replacement. Repeat step 3 until you have tested all removed DIMMs. 4. Replace the highest-numbered DIMM of those identified; then, restart the server. Repeat as necessary. 5. Reverse the DIMMs between the channels (of the same microprocessor), and then restart the server. If the problem is related to a DIMM, replace the failing DIMM. 6. (Trained service technician only) Install the failing DIMM into a DIMM connector for microprocessor 2 (if installed) to verify that the problem is not the microprocessor or the DIMM connector. 7. (Trained service technician only) Replace the system board.

Microprocessor problems

- Follow the suggested actions in the order in which they are listed in the Action column until the problem is solved.
- If an action step is preceded by “(Trained technician only),” that step must be performed only by a Trained service technician.
- Go to the IBM support website at <http://www.ibm.com/supportportal/> to check for technical information, hints, tips, and new device drivers or to submit a request for information.

Symptom	Action
The server goes directly to the POST Event Viewer when it is turned on.	<ol style="list-style-type: none"> 1. Correct any errors that are indicated by the light path diagnostics LEDs (see “Light path diagnostics” on page 189). 2. Make sure that the server supports all the microprocessors and that the microprocessors match in speed and cache size. To view the microprocessor information, run the Setup utility and select System Information → System Summary → Processor Details. 3. (Trained service technician only) Make sure that microprocessor 1 is seated correctly. 4. (Trained service technician only) Remove microprocessor 2 and restart the server. 5. Replace the following components one at a time, in the order shown, restarting the server each time: <ol style="list-style-type: none"> a. (Trained service technician only) Microprocessor b. (Trained service technician only) System board

Monitor and video problems

Some IBM monitors have their own self-tests. If you suspect a problem with your monitor, see the documentation that comes with the monitor for instructions for testing and adjusting the monitor. If you cannot diagnose the problem, call for service.

<ul style="list-style-type: none"> • Follow the suggested actions in the order in which they are listed in the Action column until the problem is solved. • If an action step is preceded by “(Trained technician only),” that step must be performed only by a Trained service technician. • Go to the IBM support website at http://www.ibm.com/supportportal/ to check for technical information, hints, tips, and new device drivers or to submit a request for information. 	
Symptom	Action
Testing the monitor.	<ol style="list-style-type: none"> 1. Make sure that the monitor cables are firmly connected. 2. Try using a different monitor on the server, or try using the monitor that is being tested on a different server. 3. Run the diagnostic programs. If the monitor passes the diagnostic programs, the problem might be a video device driver. 4. (Trained service technician only) Replace the system board.
The screen is blank.	<ol style="list-style-type: none"> 1. If the server is attached to a KVM switch, bypass the KVM switch to eliminate it as a possible cause of the problem: connect the monitor cable directly to the correct connector on the rear of the server. 2. The IMM2 remote presence function is disabled if you install an optional video adapter. To use the IMM2 remote presence function, remove the optional video adapter. 3. If the server installed with external graphical adapters while turning on the server, the IBM logo displays on the screen after approximately 3 minutes. This is normal operation while the system loads. 4. Make sure that: <ul style="list-style-type: none"> • The server is turned on. If there is no power to the server, see “Power problems” on page 182. • The monitor cables are connected correctly. • The monitor is turned on and the brightness and contrast controls are adjusted correctly. 5. Make sure that the correct server is controlling the monitor, if applicable. 6. Make sure that damaged server firmware is not affecting the video; see “Updating the firmware” on page 343. 7. Observe the checkpoint LEDs on the system board; if the codes are changing, go to step 6. 8. Replace the following components one at a time, in the order shown, restarting the server each time: <ol style="list-style-type: none"> a. Monitor b. Video adapter (if one is installed) c. (Trained service technician only) System board. 9. See “Solving undetermined problems” on page 259.

- Follow the suggested actions in the order in which they are listed in the Action column until the problem is solved.
- If an action step is preceded by “(Trained technician only),” that step must be performed only by a Trained service technician.
- Go to the IBM support website at <http://www.ibm.com/supportportal/> to check for technical information, hints, tips, and new device drivers or to submit a request for information.

Symptom	Action
The monitor works when you turn on the server, but the screen goes blank when you start some application programs.	<ol style="list-style-type: none"> 1. Make sure that: <ul style="list-style-type: none"> • The application program is not setting a display mode that is higher than the capability of the monitor. • You installed the necessary device drivers for the application. 2. Run video diagnostics (see “Running the diagnostic programs” on page 192). <ul style="list-style-type: none"> • If the server passes the video diagnostics, the video is good; see “Solving undetermined problems” on page 259. • (Trained service technician only) If the server fails the video diagnostics, replace the system board.
The monitor has screen jitter, or the screen image is wavy, unreadable, rolling, or distorted.	<ol style="list-style-type: none"> 1. If the monitor self-tests show that the monitor is working correctly, consider the location of the monitor. Magnetic fields around other devices (such as transformers, appliances, fluorescents, and other monitors) can cause screen jitter or wavy, unreadable, rolling, or distorted screen images. If this happens, turn off the monitor. <p>Attention: Moving a color monitor while it is turned on might cause screen discoloration.</p> <p>Move the device and the monitor at least 305 mm (12 in.) apart, and turn on the monitor.</p> <p>Notes:</p> <ol style="list-style-type: none"> a. To prevent diskette drive read/write errors, make sure that the distance between the monitor and any external diskette drive is at least 76 mm (3 in.). b. Non-IBM monitor cables might cause unpredictable problems. 2. Reseat the monitor cable. 3. Replace the components listed in step 2 one at a time, in the order shown, restarting the server each time: <ol style="list-style-type: none"> a. Monitor cable b. Video adapter (if one is installed) c. Monitor d. (Trained service technician only) System board.
Wrong characters appear on the screen.	<ol style="list-style-type: none"> 1. If the wrong language is displayed, update the server firmware to the latest level (see “Updating the firmware” on page 343) with the correct language. 2. Reseat the monitor cable. 3. Replace the components listed in step 2 one at a time, in the order shown, restarting the server each time: <ol style="list-style-type: none"> a. Monitor cable b. Video adapter (if one is installed) c. Monitor d. (Trained service technician only) System board.

Network connection problems

<ul style="list-style-type: none"> • Follow the suggested actions in the order in which they are listed in the Action column until the problem is solved. • If an action step is preceded by “(Trained technician only),” that step must be performed only by a Trained service technician. • Go to the IBM support website at http://www.ibm.com/supportportal/ to check for technical information, hints, tips, and new device drivers or to submit a request for information. 	
Symptom	Action
Unable to wake the server using the Wake on LAN feature.	<ol style="list-style-type: none"> 1. If you are using the dual-port network adapter and the server is connected to the network using Ethernet 5 connector, check the system-error log or IMM2 system event log (see “Event logs” on page 18), make sure: <ol style="list-style-type: none"> a. Fan 3 is running in standby mode, if Emulex Integrated Dual Port 10GbE Ethernet Adapter is installed. b. The room temperature is not too high (see “Features and specifications” on page 7). c. The air vents are not blocked. d. The air baffle is installed securely. 2. Reseat the dual-port network adapter (see “Removing the optional dual-port network adapter” on page 323 and “Installing the optional dual-port network adapter” on page 324). 3. Turn off the server and disconnect it from the power source; then, wait 10 seconds before restarting the server. 4. If the problem still remains, replace the dual-port network adapter.
Log in failed by using LDAP account with SSL enabled.	<ol style="list-style-type: none"> 1. Make sure the license key is valid. 2. Generate a new license key and log in again.

Optional-device problems

<ul style="list-style-type: none"> • Follow the suggested actions in the order in which they are listed in the Action column until the problem is solved. • If an action step is preceded by “(Trained technician only),” that step must be performed only by a Trained service technician. • Go to the IBM support website at http://www.ibm.com/supportportal/ to check for technical information, hints, tips, and new device drivers or to submit a request for information. 	
Symptom	Action
An IBM optional device that was just installed does not work.	<ol style="list-style-type: none"> 1. Make sure that: <ul style="list-style-type: none"> • The device is designed for the server (see http://www.ibm.com/systems/info/x86servers/serverproven/compat/us/). • You followed the installation instructions that came with the device and the device is installed correctly. • You have not loosened any other installed devices or cables. • You updated the configuration information in the Setup utility. Whenever memory or any other device is changed, you must update the configuration. 2. Reseat the device that you just installed. 3. Replace the device that you just installed.

- Follow the suggested actions in the order in which they are listed in the Action column until the problem is solved.
- If an action step is preceded by “(Trained technician only),” that step must be performed only by a Trained service technician.
- Go to the IBM support website at <http://www.ibm.com/supportportal/> to check for technical information, hints, tips, and new device drivers or to submit a request for information.

Symptom	Action
An IBM optional device that worked previously does not work now.	<ol style="list-style-type: none"> 1. Make sure that all of the cable connections for the device are secure. 2. If the device comes with test instructions, use those instructions to test the device. 3. If the failing device is a SCSI device, make sure that: <ul style="list-style-type: none"> • The cables for all external SCSI devices are connected correctly. • The last device in each SCSI chain, or the end of the SCSI cable, is terminated correctly. • Any external SCSI device is turned on. You must turn on an external SCSI device before you turn on the server. 4. Reseat the failing device. 5. Replace the failing device.

Power problems

- Follow the suggested actions in the order in which they are listed in the Action column until the problem is solved.
- If an action step is preceded by “(Trained technician only),” that step must be performed only by a Trained service technician.
- Go to the IBM support website at <http://www.ibm.com/supportportal/> to check for technical information, hints, tips, and new device drivers or to submit a request for information.

Symptom	Action
<p>The power-control button does not work, and the reset button does not work (the server does not start).</p> <p>Note: The power-control button will not function until approximately 5 to 10 seconds after the server has been connected to power.</p>	<ol style="list-style-type: none"> 1. Make sure that the power-control button is working correctly: <ol style="list-style-type: none"> a. Disconnect the server power cords. b. Reconnect the power cords. c. (Trained service technician only) Reseat the operator information panel cables, and then repeat steps 1a and 1b. <ul style="list-style-type: none"> • (Trained technician only) If the server starts, reseat the operator information panel. If the problem remains, replace the operator information panel. • If the server does not start, bypass the power-control button by using the force power-on jumper (see “System-board switches and jumpers” on page 14). If the server starts, reseat the operator information panel. If the problem remains, replace the operator information panel. 2. Make sure that the reset button is working correctly: <ol style="list-style-type: none"> a. Disconnect the server power cords. b. Reconnect the power cords. c. (Trained technician only) Reseat the light path diagnostics panel cable, and then repeat steps 1a and 1b. <ul style="list-style-type: none"> • (Trained technician only) If the server starts, replace the light path diagnostics panel. • If the server does not start, go to step 3. 3. Make sure that both power supplies installed in the server are of the same type. Mixing different power supplies in the server will cause a system error (the system-error LED on the front panel turns on and the PS and CNFG LEDs on the operator information panel are lit). 4. Make sure that: <ul style="list-style-type: none"> • The power cords are correctly connected to the server and to a working electrical outlet. • The type of memory that is installed is correct. • The DIMMs are fully seated. • The LEDs on the power supply do not indicate a problem. • The microprocessors are installed in the correct sequence. 5. Reseat the following components: <ol style="list-style-type: none"> a. DIMMs b. Power supplies c. (Trained technician only) Power switch connector 6. Replace the components listed in step 5 one at a time, in the order shown, restarting the server each time. <p>(Continued on the next page)</p>
<p>The power-control button does not work, and the reset button does not work (the server does not start).</p>	<ol style="list-style-type: none"> 7. If you just installed an optional device, remove it, and restart the server. If the server now starts, you might have installed more devices than the power supply supports. 8. See “Power-supply LEDs” on page 190. 9. See “Solving undetermined problems” on page 259.

- Follow the suggested actions in the order in which they are listed in the Action column until the problem is solved.
- If an action step is preceded by “(Trained technician only),” that step must be performed only by a Trained service technician.
- Go to the IBM support website at <http://www.ibm.com/supportportal/> to check for technical information, hints, tips, and new device drivers or to submit a request for information.

Symptom	Action
<p>The OVER SPEC LED on the light path diagnostics panel is lit, or the Pwr rail 1 error has been recorded in the IMM2 event log.</p>	<ol style="list-style-type: none"> 1. Disconnect the server power cords. 2. (Trained technician only) remove microprocessor 1 if the Pwr rail 1 error has been recorded in the IMM2 event log. 3. (Trained technician only) replace the system-board tray (see “Removing the system-board tray” on page 337 and “Installing the system-board tray” on page 340). 4. Reinstall the component; then, restarting the server. If the Pwr rail 1 error has been recorded in the IMM2 event log again, the component that you just reinstalled is defective. Replace the defective component. <ul style="list-style-type: none"> • (Trained technician only) Microprocessor 1 (see “Removing a microprocessor and heat sink” on page 327 and “Installing a microprocessor and heat sink” on page 330). 5. Replace the power supply if the OVER SPEC LED on the light path diagnostics panel is still lit.
<p>The OVER SPEC LED on the light path diagnostics panel is lit, or the Pwr rail 2 error has been recorded in the IMM2 event log.</p>	<ol style="list-style-type: none"> 1. Disconnect the server power cords. 2. (Trained technician only) remove microprocessor 2 if Pwr rail 2 error has been recorded in the IMM2 event log. 3. Restart the server. If the Pwr rail 2 error has been recorded in the IMM2 event log again, (trained technician only) replace the system-board tray (see “Removing the system-board tray” on page 337 and “Installing the system-board tray” on page 340). 4. Reinstall the component; then, restarting the server. If the Pwr Rail 2 error has been recorded in the IMM2 event log again, the component that you just reinstalled is defective. Replace the defective component. <ul style="list-style-type: none"> • (Trained technician only) Microprocessor 2 (see “Removing a microprocessor and heat sink” on page 327 and “Installing a microprocessor and heat sink” on page 330). 5. Replace the power supply if the OVER SPEC LED on the light path diagnostics panel is still lit.

- Follow the suggested actions in the order in which they are listed in the Action column until the problem is solved.
- If an action step is preceded by “(Trained technician only),” that step must be performed only by a Trained service technician.
- Go to the IBM support website at <http://www.ibm.com/supportportal/> to check for technical information, hints, tips, and new device drivers or to submit a request for information.

Symptom	Action
<p>The OVER SPEC LED on the light path diagnostics panel is lit, or the Pwr rail 3 error has been recorded in the IMM2 event log.</p>	<ol style="list-style-type: none"> 1. Disconnect the server power cords. 2. Remove the following components if Pwr rail 3 error has been recorded in the IMM2 event log: <ul style="list-style-type: none"> • Optional adapter (if one is present) installed in PCI riser-card assembly 1 • PCI riser-card assembly 1 • ServeRAID SAS/SATA adapter (if one is present) • DIMMs 1 through 4 3. Restart the server. If the Pwr rail 3 error has been recorded in the IMM2 event log again, (trained service technician only) replace the system-board tray (see “Removing the system-board tray” on page 337 and “Installing the system-board tray” on page 340). 4. Reinstall the components one at a time, in the order shown, restarting the server each time. If the Pwr rail 3 error has been recorded in the IMM2 event log again, the component that you just reinstalled is defective. Replace the defective component. <ul style="list-style-type: none"> • DIMMs 1 through 4 (see “Removing a memory module” on page 311 and “Installing a memory module” on page 312). • ServeRAID SAS/SATA adapter (see “Removing a PCIe adapter from a PCI riser-card assembly” on page 306 and “Installing an adapter” on page 307). • PCI riser-card assembly 1 (see “Removing a PCIe riser-card assembly from the system-board tray” on page 304 and “Installing a PCI riser-card assembly on the system-board tray” on page 305). • Optional adapter (if one is present) installed in PCI riser-card assembly 1 (see “Removing a PCIe adapter from a PCI riser-card assembly” on page 306 and “Installing an adapter” on page 307). 5. Follow actions in “Solving power problems” on page 258, if the OVER SPEC LED on the light path diagnostics panel is still lit. 6. Replace the power supply if the OVER SPEC LED on the light path diagnostics panel is still lit.

- Follow the suggested actions in the order in which they are listed in the Action column until the problem is solved.
- If an action step is preceded by “(Trained technician only),” that step must be performed only by a Trained service technician.
- Go to the IBM support website at <http://www.ibm.com/supportportal/> to check for technical information, hints, tips, and new device drivers or to submit a request for information.

Symptom	Action
<p>The OVER SPEC LED on the light path diagnostics panel is lit, or the Pwr rail 4 error has been recorded in the IMM2 event log.</p>	<ol style="list-style-type: none"> 1. Disconnect the server power cords. 2. Remove the following components if the Pwr rail 4 error has been recorded in the IMM2 event log: <ul style="list-style-type: none"> • Optional PCI adapter power cable (if one is present) • Hard disk drives • DIMMs 5 through 8 3. Restart the server. If the Pwr rail 4 error has been recorded in the IMM2 event log again, (trained service technician only) replace the system-board tray (see “Removing the system-board tray” on page 337 and “Installing the system-board tray” on page 340). 4. Reinstall the components one at a time, in the order shown, restarting the server each time. If the Pwr Rail 4 error has been recorded in the IMM2 event log again, the component that you just reinstalled is defective. Replace the defective component. <ul style="list-style-type: none"> • DIMMs 5 through 8 (see “Removing a memory module” on page 311 and “Installing a memory module” on page 312). • Hard disk drives • Optional PCI adapter power cable (if one is present) 5. Follow actions in “Solving power problems” on page 258, if the OVER SPEC LED on the light path diagnostics panel is still lit. 6. Replace the power supply if the OVER SPEC LED on the light path diagnostics panel is still lit.
<p>The OVER SPEC LED on the light path diagnostics panel is lit, or the Pwr rail 5 error has been recorded in the IMM2 event log.</p>	<ol style="list-style-type: none"> 1. Disconnect the server power cords. 2. Remove the following components if the Pwr rail 5 error has been recorded in the IMM2 event log: <ul style="list-style-type: none"> • Optional DVD drive (if one is installed) • Hard disk drives • DIMMs 9 through 16 3. Restart the server. If the Pwr rail 5 error has been recorded in the IMM2 event log again, (trained service technician only) replace the system board (see “Removing the system-board tray” on page 337 and “Installing the system-board tray” on page 340). 4. Reinstall the components one at a time, in the order shown, restarting the server each time. If the Pwr Rail 5 error has been recorded in the IMM2 event log again, the component that you just reinstalled is defective. Replace the defective component. <ul style="list-style-type: none"> • DIMMs 9 through 12 (see “Removing a memory module” on page 311 and “Installing a memory module” on page 312). • Hard disk drives 5. Follow actions in “Solving power problems” on page 258, if the OVER SPEC LED on the light path diagnostics panel is still lit. 6. Replace the power supply if the OVER SPEC LED on the light path diagnostics panel is still lit.

- Follow the suggested actions in the order in which they are listed in the Action column until the problem is solved.
- If an action step is preceded by “(Trained technician only),” that step must be performed only by a Trained service technician.
- Go to the IBM support website at <http://www.ibm.com/supportportal/> to check for technical information, hints, tips, and new device drivers or to submit a request for information.

Symptom	Action
<p>The OVER SPEC LED on the light path diagnostics panel is lit, or the Pwr rail 6 error has been recorded in the IMM2 event log.</p>	<ol style="list-style-type: none"> 1. Disconnect the server power cords. 2. Remove the following components if the Pwr rail 6 error has been recorded in the IMM2 event log: <ul style="list-style-type: none"> • Optional adapter (if one is present) installed in PCI riser-card assembly 2 • PCI riser-card assembly 2 • Optional dual-port network adapter (if one is present) • DIMMs 13 through 16 3. Restart the server. If the Pwr rail 6 error has been recorded in the IMM2 event log again, (trained service technician only) replace the system board (see “Removing the system-board tray” on page 337 and “Installing the system-board tray” on page 340). 4. Reinstall the components one at a time, in the order shown, restarting the server each time. If the Pwr Rail 6 error has been recorded in the IMM2 event log again, the component that you just reinstalled is defective. Replace the defective component. <ul style="list-style-type: none"> • DIMMs 13 through 16 (see “Removing a memory module” on page 311 and “Installing a memory module” on page 312). • Optional dual-port network adapter, if one is present (see “Removing the optional dual-port network adapter” on page 323 and “Installing the optional dual-port network adapter” on page 324). • PCI riser-card assembly 2 (see “Removing a PCIe riser-card assembly from the system-board tray” on page 304 and “Installing a PCI riser-card assembly on the system-board tray” on page 305). • Optional adapter (if one is present) installed in PCI riser-card assembly 2 (see “Removing a PCIe adapter from a PCI riser-card assembly” on page 306 and “Installing an adapter” on page 307). 5. Follow actions in “Solving power problems” on page 258, if the OVER SPEC LED on the light path diagnostics panel is still lit. 6. Replace the power supply if the OVER SPEC LED on the light path diagnostics panel is still lit.
<p>The server does not turn off.</p>	<ol style="list-style-type: none"> 1. Determine whether you are using an Advanced Configuration and Power Interface (ACPI) or a non-ACPI operating system. If you are using a non-ACPI operating system, complete the following steps: <ol style="list-style-type: none"> a. Press Ctrl+Alt+Delete. b. Turn off the server by pressing the power-control button and hold it down for 5 seconds. c. Restart the server. d. If the server fails POST and the power-control button does not work, disconnect the power cord for 20 seconds; then, reconnect the power cord and restart the server. 2. If the problem remains or if you are using an ACPI-aware operating system, suspect the system board.

<ul style="list-style-type: none"> • Follow the suggested actions in the order in which they are listed in the Action column until the problem is solved. • If an action step is preceded by “(Trained technician only),” that step must be performed only by a Trained service technician. • Go to the IBM support website at http://www.ibm.com/supportportal/ to check for technical information, hints, tips, and new device drivers or to submit a request for information. 	
Symptom	Action
The server unexpectedly shuts down, and the LEDs on the operator information panel are not lit.	See “Solving undetermined problems” on page 259.

Serial-device problems

<ul style="list-style-type: none"> • Follow the suggested actions in the order in which they are listed in the Action column until the problem is solved. • If an action step is preceded by “(Trained technician only),” that step must be performed only by a Trained service technician. • Go to the IBM support website at http://www.ibm.com/supportportal/ to check for technical information, hints, tips, and new device drivers or to submit a request for information. 	
Symptom	Action
The number of serial ports that are identified by the operating system is less than the number of installed serial ports.	<ol style="list-style-type: none"> 1. Make sure that: <ul style="list-style-type: none"> • Each port is assigned a unique address in the Setup utility and none of the serial ports is disabled. • The serial-port adapter (if one is present) is seated correctly. 2. Reseat the serial port adapter. 3. Replace the serial port adapter.
A serial device does not work.	<ol style="list-style-type: none"> 1. Make sure that: <ul style="list-style-type: none"> • The device is compatible with the server. • The serial port is enabled and is assigned a unique address. • The device is connected to the correct connector (see “Internal LEDs, connectors, and jumpers” on page 13). 2. Reseat the following components: <ol style="list-style-type: none"> a. Failing serial device b. Serial cable 3. Replace the components listed in step 2 one at a time, in the order shown, restarting the server each time. 4. (Trained service technician only) Replace the system board.

ServerGuide problems

<ul style="list-style-type: none"> • Follow the suggested actions in the order in which they are listed in the Action column until the problem is solved. • If an action step is preceded by “(Trained technician only),” that step must be performed only by a Trained service technician. • Go to the IBM support website at http://www.ibm.com/supportportal/ to check for technical information, hints, tips, and new device drivers or to submit a request for information. 	
Symptom	Action
The <i>ServerGuide Setup and Installation</i> CD will not start.	<ol style="list-style-type: none"> 1. Make sure that the server supports the ServerGuide program and has a startable (bootable) CD or DVD drive. 2. If the startup (boot) sequence settings have been changed, make sure that the CD or DVD drive is first in the startup sequence. 3. If more than one CD or DVD drive is installed, make sure that only one drive is set as the primary drive. Start the CD from the primary drive.
The MegaRAID Storage Manager program cannot view all installed drives, or the operating system cannot be installed.	<ol style="list-style-type: none"> 1. Make sure that the hard disk drive is connected correctly. 2. Make sure that the SAS/SATA hard disk drive cables are securely connected.
The operating-system installation program continuously loops.	Make more space available on the hard disk.
The ServerGuide program will not start the operating-system CD.	Make sure that the operating-system CD is supported by the ServerGuide program. For a list of supported operating-system versions, go to http://www.ibm.com/support/entry/portal/docdisplay?lnocid=SERV-GUIDE , click IBM Service and Support Site, click the link for your ServerGuide version, and scroll down to the list of supported Microsoft Windows operating systems.
The operating system cannot be installed; the option is not available.	Make sure that the server supports the operating system. If it does, either no logical drive is defined (SCSI RAID servers), or the ServerGuide System Partition is not present. Run the ServerGuide program and make sure that setup is complete.

Software problems

<ul style="list-style-type: none">• Follow the suggested actions in the order in which they are listed in the Action column until the problem is solved.• If an action step is preceded by “(Trained technician only),” that step must be performed only by a Trained service technician.• Go to the IBM support website at http://www.ibm.com/supportportal/ to check for technical information, hints, tips, and new device drivers or to submit a request for information.	
Symptom	Action
You suspect a software problem.	<ol style="list-style-type: none">1. To determine whether the problem is caused by the software, make sure that:<ul style="list-style-type: none">• The server has the minimum memory that is needed to use the software. For memory requirements, see the information that comes with the software. If you have just installed an adapter or memory, the server might have a memory-address conflict.• The software is designed to operate on the server.• Other software works on the server.• The software works on another server.2. If you received any error messages when using the software, see the information that comes with the software for a description of the messages and suggested solutions to the problem.3. Contact the software vendor.

Universal Serial Bus (USB) port problems

<ul style="list-style-type: none">• Follow the suggested actions in the order in which they are listed in the Action column until the problem is solved.• If an action step is preceded by “(Trained technician only),” that step must be performed only by a Trained service technician.• Go to the IBM support website at http://www.ibm.com/supportportal/ to check for technical information, hints, tips, and new device drivers or to submit a request for information.	
Symptom	Action
A USB device does not work.	<ol style="list-style-type: none">1. Make sure that:<ul style="list-style-type: none">• The correct USB device driver is installed.• The operating system supports USB devices.2. Make sure that the USB configuration options are set correctly in the Setup utility (see “Using the Setup utility” on page 347 for more information).3. If you are using a USB hub, disconnect the USB device from the hub and connect it directly to the server.

Video problems

See “Monitor and video problems” on page 178.

Light path diagnostics

Light path diagnostics is a system of LEDs on various external and internal components of the server. When an error occurs, LEDs are lit throughout the server. By viewing the LEDs in a particular order, you can often identify the source of the error.

When LEDs are lit to indicate an error, they remain lit when the server is turned off, provided that the server is still connected to power and the power supply is operating correctly.

Before you work inside the server to view light path diagnostics LEDs, read the safety information that begins on page “Safety” on page vii and “Handling static-sensitive devices” on page 279.

If an error occurs, view the light path diagnostics LEDs in the following order:

1. Read the safety information that begins on page vii and “Installation guidelines” on page 277.
2. Turn off the server and peripheral devices and disconnect all power cords.
3. If the system-board tray is installed in a chassis, remove it (see “Removing the system-board tray from a 2U chassis” on page 281).
4. Remove the system-board tray cover (see “Removing the system-board tray cover” on page 282).
5. Look at the operator information panel on the front of the server.
 - If the check log LED is lit, it indicates that an error or multiple errors have occurred. The sources of the errors cannot be isolated or concluded by observing the light path diagnostics LEDs directly. A further investigation into IMM2 system-event log or system-error log might be required.
 - If the system-error LED is lit, it indicates that an error has occurred; go to step 2.
6. Remove the server cover and look inside the server for lit LEDs. Certain components inside the server have LEDs that are lit to indicate the location of a problem.
 - **Remind button:** Press this button to place the system-error LED/check log LED on the front information panel into Remind mode. By placing the system-error LED indicator in Remind mode, you acknowledge that you are aware of the last failure but will not take immediate action to correct the problem. In Remind mode, the system-error LED flashes every 2 seconds until one of the following conditions occurs:
 - All known errors are corrected.
 - The server is restarted.
 - A new error occurs, causing the system-error LED to be lit again.
 - **Reset button:** Press this button to reset the server and run the power-on self-test (POST). You might have to use a pen or the end of a straightened paper clip to press the button. The Reset button is in the lower-right corner of the light path diagnostics panel.

Power-supply LEDs

The following minimum configuration is required for the DC LED on the power supply to be lit:

- Power supply
- Power cord

The following minimum configuration is required for the server to start:

- One microprocessor in microprocessor socket 1
- One 2 GB DIMM on the system board
- One power supply
- Power cord
- Four cooling fans (two for each thermal zone)

- One PCI riser-card assembly in PCI riser connector 1

The following table describes the problems that are indicated by various combinations of the power-supply LEDs on an AC power supply and suggested actions to correct the detected problems.

AC power-supply LEDs			Description	Action	Notes
AC	DC	Error (!)			
On	On	Off	Normal operation.		
Off	Off	Off	No ac power to the server or a problem with the ac power source.	<ol style="list-style-type: none"> 1. Check the ac power to the server. 2. Make sure that the power cord is connected to a functioning power source. 3. Restart the server. If the error remains, check the power-supply LEDs. 4. If the problem remains, replace the power-supply. 	This is a normal condition when no ac power is present.
Off	Off	On	The power supply has failed.	Replace the power supply.	
Off	On	Off	The power supply has failed.	Replace the power supply.	
Off	On	On	The power supply has failed.	Replace the power supply.	
On	Off	On	The power supply has failed.	Replace the power supply.	
On	On	On	The power supply has failed.	Replace the power supply.	

System pulse LEDs

The following LEDs are on the system board and monitor the system power-on and power-off sequencing and boot progress:

Table 4. System pulse LEDs

LED	Description	Action
RTMM heartbeat	Power-on and power-off sequencing.	<ol style="list-style-type: none"> 1. If the LED blinks at 1Hz, it is functioning properly and no action is necessary. 2. If the LED is not blinking, (trained service technician only) replace the system board.

Table 4. System pulse LEDs (continued)

LED	Description	Action
IMM2 heartbeat	IMM2 heartbeat boot process.	<p>The following steps describe the different stages of the IMM2 heartbeat sequencing process.</p> <ol style="list-style-type: none"> 1. When this LED is blinking fast (approximately 4Hz), this indicates, that the IMM2 code is in the loading process. 2. When this LED goes off momentarily, this indicates that the IMM2 code has loaded completely. 3. When this LED goes off momentarily and then starts blinking slowing (approximately 1Hz), this indicates that IMM2 is fully operational. You can now press the power-control button to power-on the server. 4. If this LED does not blink within 30 seconds of connecting a power source to the server, (trained service technician only) Replace the system board.

Diagnostic programs and messages

The diagnostic programs are the primary method of testing the major components of the server. As you run the diagnostic programs, text messages are displayed on the screen and are saved in the test log. A diagnostic text message indicates that a problem has been detected and provides the action you should take as a result of the text message.

Make sure that the server has the latest version of the diagnostic programs. To download the latest version, go to <http://www.ibm.com/supportportal/>.

Utilities are available to reset and update the diagnostics code on the integrated USB flash device, if the diagnostic partition becomes damaged and does not start the diagnostic programs. For more information and to download the utilities, go to <http://www.ibm.com/systems/support/supportsite.wss/docdisplay?Indocid=MIGR-5072294&brandind=5000008>.

Running the diagnostic programs

Note: The DSA memory test might take up to 30 minutes to run. If the problem is not a memory problem, skip the memory test.

To run the diagnostic programs, complete the following steps:

1. If the server is running, turn off the server and all attached devices.
2. Turn on all attached devices; then, turn on the server.
3. When the prompt <F2> Dynamic System Analysis is displayed, press F2.

Note: The DSA Preboot diagnostic program might appear to be unresponsive for an unusual length of time when you start the program. This is normal operation while the program loads. The loading process may take up to 10 minutes.

- Optionally, select **Quit to DSA** to exit from the stand-alone memory diagnostic program.

Note: After you exit from the stand-alone memory diagnostic environment, you must restart the server to access the stand-alone memory diagnostic environment again.

- Type **gui** to display the graphical user interface, or type **cmd** to display the DSA interactive menu.
- Follow the instructions on the screen to select the diagnostic test to run.

If the diagnostic programs do not detect any hardware errors but the problem remains during normal server operation, a software error might be the cause. If you suspect a software problem, see the information that comes with your software.

A single problem might cause more than one error message. When this happens, correct the cause of the first error message. The other error messages usually will not occur the next time you run the diagnostic programs.

Exception: If multiple error codes or light path diagnostics LEDs indicate a microprocessor error, the error might be in a microprocessor or in a microprocessor socket. See “Microprocessor problems” on page 177 for information about diagnosing microprocessor problems.

If the server stops during testing and you cannot continue, restart the server and try running the diagnostic programs again. If the problem remains, replace the component that was being tested when the server stopped.

Diagnostic text messages

Diagnostic text messages are displayed while the tests are running. A diagnostic text message contains one of the following results:

Passed: The test was completed without any errors.

Failed: The test detected an error.

Aborted: The test could not proceed because of the server configuration

Additional information concerning test failures is available in the extended diagnostic results for each test.

Viewing the test log

To view the test log when the tests are completed, type the **view** command in the DSA interactive menu, or select **Diagnostic Event Log** in the graphical user interface. To transfer DSA Preboot collections to an external USB device, type the **copy** command in the DSA interactive menu.

Diagnostic messages

The following table describes the messages that the diagnostic programs might generate and suggested actions to correct the detected problems. Follow the suggested actions in the order in which they are listed in the column.

405-000-000 **BRM:TestControlRegisters Test**
Passed

Explanation: The test passed.

Internal Event: No

Severity: Event

Serviceable: No

405-001-000 • 405-800-000

Recoverable: No

Automatically notify Support: No

Date Message Added: 08/31/2012

Reviewed: 08/31/2012

405-001-000 BRCM:TestMIIRegisters Test Passed

Explanation: The test passed.

Internal Event: No

Severity: Event

Serviceable: No

Recoverable: No

Automatically notify Support: No

Date Message Added: 08/31/2012

Reviewed: 08/31/2012

405-002-000 BRCM:TestEEPROM Test Passed

Explanation: The test passed.

Internal Event: No

Severity: Event

Serviceable: No

Recoverable: No

Automatically notify Support: No

Date Message Added: 08/31/2012

Reviewed: 08/31/2012

405-003-000 BRCM:TestInternalMemory Test Passed

Explanation: The test passed.

Internal Event: No

Severity: Event

Serviceable: No

Recoverable: No

Automatically notify Support: No

Date Message Added: 08/31/2012

Reviewed: 08/31/2012

405-004-000 BRCM:TestInterrupt Test Passed

Explanation: The test passed.

Internal Event: No

Severity: Event

Serviceable: No

Recoverable: No

Automatically notify Support: No

Date Message Added: 08/31/2012

Reviewed: 08/31/2012

405-005-000 BRCM:TestLoopbackMAC Test Passed

Explanation: The test passed.

Internal Event: No

Severity: Event

Serviceable: No

Recoverable: No

Automatically notify Support: No

Date Message Added: 08/31/2012

Reviewed: 08/31/2012

405-006-000 BRCM:TestLoopbackPhysical Test Passed

Explanation: The test passed.

Internal Event: No

Severity: Event

Serviceable: No

Recoverable: No

Automatically notify Support: No

Date Message Added: 08/31/2012

Reviewed: 08/31/2012

405-007-000 BRCM:TestLEDs Test Passed

Explanation: The test passed.

Internal Event: No

Severity: Event

Serviceable: No

Recoverable: No

Automatically notify Support: No

Date Message Added: 08/31/2012

Reviewed: 08/31/2012

405-800-000 BRCM:TestControlRegisters Test Aborted

Explanation: The control registers test was canceled.

Internal Event: No

Severity: Warning

Serviceable: No

Recoverable: No

Automatically notify Support: No**Date Message Added:** 08/31/2012**Reviewed:** 08/31/2012

405-801-000 BRCM:TestMIIRegisters Test Aborted**Explanation:** The MII register test was canceled.**Internal Event:** No**Severity:** Warning**Serviceable:** No**Recoverable:** No**Automatically notify Support:** No**Date Message Added:** 08/31/2012**Reviewed:** 08/31/2012

405-802-000 BRCM:TestEEPROM Test Aborted**Explanation:** The EEPROM test was canceled.**Internal Event:** No**Severity:** Warning**Serviceable:** No**Recoverable:** No**Automatically notify Support:** No**Date Message Added:** 08/31/2012**Reviewed:** 08/31/2012

405-803-000 BRCM:TestInternalMemory Test Aborted**Explanation:** The internal memory test was canceled.**Internal Event:** No**Severity:** Warning**Serviceable:** No**Recoverable:** No**Automatically notify Support:** No**Date Message Added:** 08/31/2012**Reviewed:** 08/31/2012

405-804-000 BRCM:TestInterrupt Test Aborted**Explanation:** The interrupt test was canceled.**Internal Event:** No**Severity:** Warning**Serviceable:** No**Recoverable:** No**Automatically notify Support:** No**Date Message Added:** 08/31/2012**Reviewed:** 08/31/2012

405-805-000 BRCM:TestLoopbackMAC Test Aborted**Explanation:** Loopback testing at the MAC layer was canceled.**Internal Event:** No**Severity:** Warning**Serviceable:** No**Recoverable:** No**Automatically notify Support:** No**Date Message Added:** 08/31/2012**Reviewed:** 08/31/2012

405-806-000 BRCM:TestLoopbackPhysical Test Aborted**Explanation:** Loopback testing at the physical layer was canceled.**Internal Event:** No**Severity:** Warning**Serviceable:** No**Recoverable:** No**Automatically notify Support:** No**Date Message Added:** 08/31/2012**Reviewed:** 08/31/2012

405-807-000 BRCM:TestLEDs Test Aborted**Explanation:** Verification of status LEDs was canceled.**Internal Event:** No**Severity:** Warning**Serviceable:** No**Recoverable:** No**Automatically notify Support:** No**Date Message Added:** 08/31/2012**Reviewed:** 08/31/2012

405-900-000 BRCM:TestControlRegisters Test Failed**Explanation:** A failure was detected while testing internal MAC registers**Internal Event:** No**Severity:** Error

Serviceable: Yes

Recoverable: No

Automatically notify Support: No

User response: Complete the following steps:

1. Check component firmware level and upgrade if necessary. The installed firmware level can be found in the DSA Diagnostic Event Log within the Firmware/VPD section for this component.
2. Rerun the test.
3. If failure remains, refer to "Troubleshooting by symptom" in the system "Installation and Service Guide" for the next corrective action.

Date Message Added: 08/31/2012

Reviewed: 08/31/2012

405-901-000 BRCM:TestMIIRegisters Test Failed

Explanation: A failure was detected while testing internal PHY registers.

Internal Event: No

Severity: Error

Serviceable: Yes

Recoverable: No

Automatically notify Support: No

User response: Complete the following steps:

1. Check component firmware level and upgrade if necessary. The installed firmware level can be found in the DSA Diagnostic Event Log within the Firmware/VPD section for this component.
2. Rerun the test.
3. If failure remains, refer to "Troubleshooting by symptom" in the system "Installation and Service Guide" for the next corrective action.

Date Message Added: 08/31/2012

Reviewed: 08/31/2012

405-902-000 BRCM:TestEEPROM Test Failed

Explanation: A failure was detected while testing non-volatile RAM.

Internal Event: No

Severity: Error

Serviceable: Yes

Recoverable: No

Automatically notify Support: No

User response: Complete the following steps:

1. Check component firmware level and upgrade if necessary. The installed firmware level can be found

in the DSA Diagnostic Event Log within the Firmware/VPD section for this component.

2. Rerun the test.

3. If failure remains, refer to "Troubleshooting by symptom" in the system "Installation and Service Guide" for the next corrective action.

Date Message Added: 08/31/2012

Reviewed: 08/31/2012

405-903-000 BRCM:TestInternalMemory Test Failed

Explanation: A failure was detected while testing internal memory.

Internal Event: No

Severity: Error

Serviceable: Yes

Recoverable: No

Automatically notify Support: No

User response: Complete the following steps:

1. Check component firmware level and upgrade if necessary. The installed firmware level can be found in the DSA Diagnostic Event Log within the Firmware/VPD section for this component.
2. Rerun the test.
3. If failure remains, refer to "Troubleshooting by symptom" in the system "Installation and Service Guide" for the next corrective action.

Date Message Added: 08/31/2012

Reviewed: 08/31/2012

405-904-000 BRCM:TestInterrupt Test Failed

Explanation: A failure was detected while testing interrupts.

Internal Event: No

Severity: Error

Serviceable: Yes

Recoverable: No

Automatically notify Support: No

User response: Complete the following steps:

1. Check component firmware level and upgrade if necessary. The installed firmware level can be found in the DSA Diagnostic Event Log within the Firmware/VPD section for this component.
2. Rerun the test.
3. If failure remains, refer to "Troubleshooting by symptom" in the system "Installation and Service Guide" for the next corrective action.

Date Message Added: 08/31/2012

Reviewed: 08/31/2012

405-905-000 BRCM:TestLoopbackMAC Test Failed

Explanation: BRCM:TestLoopbackMAC Test Failed.

Internal Event: No

Severity: Error

Serviceable: Yes

Recoverable: No

Automatically notify Support: No

User response: Complete the following steps:

1. Check component firmware level and upgrade if necessary. The installed firmware level can be found in the DSA Diagnostic Event Log within the Firmware/VPD section for this component.
2. Rerun the test.
3. If failure remains, refer to "Troubleshooting by symptom" in the system "Installation and Service Guide" for the next corrective action.

Date Message Added: 08/31/2012

Reviewed: 08/31/2012

405-906-000 BRCM:TestLoopbackPhysical Test Failed

Explanation: A failure was detected during the loopback test at the physical layer.

Internal Event: No

Severity: Error

Serviceable: Yes

Recoverable: No

Automatically notify Support: No

User response: Complete the following steps:

1. Check component firmware level and upgrade if necessary. The installed firmware level can be found in the DSA Diagnostic Event Log within the Firmware/VPD section for this component.
2. Rerun the test.
3. If failure remains, refer to "Troubleshooting by symptom" in the system "Installation and Service Guide" for the next corrective action.

Date Message Added: 08/31/2012

Reviewed: 08/31/2012

405-907-000 BRCM:TestLEDs Test Failed

Explanation: A failure was detected while verifying operation of the status LEDs.

Internal Event: No

Severity: Error

Serviceable: Yes

Recoverable: No

Automatically notify Support: No

User response: Complete the following steps:

1. Check component firmware level and upgrade if necessary. The installed firmware level can be found in the DSA Diagnostic Event Log within the Firmware/VPD section for this component.
2. Rerun the test.
3. If failure remains, refer to "Troubleshooting by symptom" in the system "Installation and Service Guide" for the next corrective action.

Date Message Added: 08/31/2012

Reviewed: 08/31/2012

218-000-000 Brocade:MemoryTest Passed

Explanation: The test passed.

Internal Event: No

Severity: Event

Serviceable: No

Recoverable: No

Automatically notify Support: No

Date Message Added: 09/03/2012

Reviewed: 09/03/2012

218-001-000 Brocade:ExternalLoopbackTest Passed

Explanation: The test passed.

Internal Event: No

Severity: Event

Serviceable: No

Recoverable: No

Automatically notify Support: No

Date Message Added: 09/03/2012

Reviewed: 09/03/2012

218-002-000 Brocade:SerdesLoopbackTest Passed

Explanation: The test passed.

Internal Event: No

Severity: Event

Serviceable: No

Recoverable: No

Automatically notify Support: No

218-003-000 • 218-803-000

Date Message Added: 09/03/2012

Reviewed: 09/03/2012

218-003-000 Brocade:PCILoopbackTest Passed

Explanation: The test passed.

Internal Event: No

Severity: Event

Serviceable: No

Recoverable: No

Automatically notify Support: No

Date Message Added: 09/03/2012

Reviewed: 09/03/2012

218-004-000 Brocade:ExternalEthLoopbackTest Passed

Explanation: The test passed.

Internal Event: No

Severity: Event

Serviceable: No

Recoverable: No

Automatically notify Support: No

Date Message Added: 09/03/2012

Reviewed: 09/03/2012

218-005-000 Brocade:SerdesEthLoopbackTest Passed

Explanation: The test passed.

Internal Event: No

Severity: Event

Serviceable: No

Recoverable: No

Automatically notify Support: No

Date Message Added: 09/03/2012

Reviewed: 09/03/2012

218-006-000 Brocade:InternalLoopbackTest Passed

Explanation: The test passed.

Internal Event: No

Severity: Event

Serviceable: No

Recoverable: No

Automatically notify Support: No

Date Message Added: 09/03/2012

Reviewed: 09/03/2012

218-800-000 Brocade:MemoryTest Aborted

Explanation: The test was canceled.

Internal Event: No

Severity: Warning

Serviceable: No

Recoverable: No

Automatically notify Support: No

Date Message Added: 09/03/2012

Reviewed: 09/03/2012

218-801-000 Brocade:ExternalLoopbackTest Aborted

Explanation: The test was canceled.

Internal Event: No

Severity: Warning

Serviceable: No

Recoverable: No

Automatically notify Support: No

Date Message Added: 09/03/2012

Reviewed: 09/03/2012

218-802-000 Brocade:SerdesLoopbackTest Aborted

Explanation: The test was canceled.

Internal Event: No

Severity: Warning

Serviceable: No

Recoverable: No

Automatically notify Support: No

Date Message Added: 09/03/2012

Reviewed: 09/03/2012

218-803-000 Brocade:PCILoopbackTest Aborted

Explanation: The test was canceled.

Internal Event: No

Severity: Warning

Serviceable: No

Recoverable: No

Automatically notify Support: No

Date Message Added: 09/03/2012**Reviewed:** 09/03/2012

218-804-000 Brocade:ExternalEthLoopbackTest Aborted**Explanation:** The test was canceled.**Internal Event:** No**Severity:** Warning**Serviceable:** No**Recoverable:** No**Automatically notify Support:** No**Date Message Added:** 09/03/2012**Reviewed:** 09/03/2012

218-805-000 Brocade:SerdesEthLoopbackTest Aborted**Explanation:** The test was canceled.**Internal Event:** No**Severity:** Warning**Serviceable:** No**Recoverable:** No**Automatically notify Support:** No**Date Message Added:** 09/03/2012**Reviewed:** 09/03/2012

218-806-000 Brocade:InternalLoopbackTest Aborted**Explanation:** The test was canceled.**Internal Event:** No**Severity:** Warning**Serviceable:** No**Recoverable:** No**Automatically notify Support:** No**Date Message Added:** 09/03/2012**Reviewed:** 09/03/2012

218-900-000 Brocade:MemoryTest Failed**Explanation:** A failure was detected while testing the adapter memory.**Internal Event:** No**Severity:** Error**Serviceable:** Yes**Recoverable:** No**Automatically notify Support:** No**User response:** Complete the following steps:

1. Rerun the test.
2. Verify whether the firmware is at proper level.
3. Rerun the test.
4. If the problem remains, contact your IBM technical-support representative.

Date Message Added: 09/03/2012**Reviewed:** 09/03/2012

218-901-000 Brocade:ExternalLoopbackTest Failed**Explanation:** A failure was detected during the Loopback test.**Internal Event:** No**Severity:** Error**Serviceable:** Yes**Recoverable:** No**Automatically notify Support:** No**User response:** Complete the following steps:

1. Check cable connections.
2. Rerun the test.
3. Verify whether the firmware is at proper level.
4. Rerun the test.
5. If the problem remains, contact your IBM technical-support representative.

Date Message Added: 09/03/2012**Reviewed:** 09/03/2012

218-902-000 Brocade:SerdesLoopbackTest Failed**Explanation:** A failure was detected during the Loopback test.**Internal Event:** No**Severity:** Error**Serviceable:** Yes**Recoverable:** No**Automatically notify Support:** No**User response:** Complete the following steps:

1. Rerun the test.
2. Verify whether the firmware is at proper level.
3. Rerun the test.
4. If the problem remains, contact your IBM technical-support representative.

Date Message Added: 09/03/2012**Reviewed:** 09/03/2012

218-903-000 Brocade:PCILoopbackTest Failed

Explanation: A failure was detected during the Loopback test.

Internal Event: No

Severity: Error

Serviceable: Yes

Recoverable: No

Automatically notify Support: No

User response: Complete the following steps:

1. Rerun the test.
2. Verify whether the firmware is at proper level.
3. Rerun the test.
4. If the problem remains, contact your IBM technical-support representative.

Date Message Added: 09/03/2012

Reviewed: 09/03/2012

218-904-000 Brocade:ExternalEthLoopbackTest Failed

Explanation: A failure was detected during the Loopback test.

Internal Event: No

Severity: Error

Serviceable: Yes

Recoverable: No

Automatically notify Support: No

User response: Complete the following steps:

1. Check or replace SFP/cable.
2. Rerun the test.
3. Verify whether the firmware is at proper level.
4. Rerun the test.
5. If the problem remains, contact your IBM technical-support representative.

Date Message Added: 09/03/2012

Reviewed: 09/03/2012

218-905-000 Brocade:SerdesEthLoopbackTest Failed

Explanation: A failure was detected during the Loopback test.

Internal Event: No

Severity: Error

Serviceable: Yes

Recoverable: No

Automatically notify Support: No

User response: Complete the following steps:

1. Rerun the test.
2. Verify whether the firmware is at proper level.
3. Rerun the test.
4. If the problem remains, contact your IBM technical-support representative.

Date Message Added: 09/03/2012

Reviewed: 09/03/2012

218-906-000 Brocade:InternalLoopbackTest Failed

Explanation: A failure was detected during the Loopback test.

Internal Event: No

Severity: Error

Serviceable: Yes

Recoverable: No

Automatically notify Support: No

User response: Complete the following steps:

1. Rerun the test.
2. Verify whether the firmware is at proper level.
3. Rerun the test.
4. If the problem remains, contact your IBM technical-support representative.

Date Message Added: 09/03/2012

Reviewed: 09/03/2012

180-000-000 Check-point Panel Test Passed

Explanation: Check-point Panel Test Passed.

Internal Event: No

Severity: Event

Serviceable: No

Recoverable: No

Automatically notify Support: No

Date Message Added: 08/29/2012

Reviewed: 08/29/2012

180-801-000 Check-point Panel Test Aborted

Explanation: Check-point Panel Test Aborted. BMC is unable to verify that the operator information panel cable is connected.

Internal Event: No

Severity: Warning

Serviceable: Yes

Recoverable: No**Automatically notify Support:** No**User response:** Complete the following steps:

1. Inspect and reseal operator information panel cable at both ends.
2. Verify that the Baseboard Management Controller (BMC) is working.
3. Run the test again.
4. If failure remains, refer to "Troubleshooting by symptom" in the system "Installation and Service Guide" for the next corrective action.

Date Message Added: 08/29/2012**Reviewed:** 08/29/2012**180-901-000 Check-point Panel Test Failed****Explanation:** Check-point Panel Test Failed. Operator reported incorrect display.**Internal Event:** No**Severity:** Error**Serviceable:** Yes**Recoverable:** No**Automatically notify Support:** No**User response:** Complete the following steps:

1. Check the operator information panel cabling for loose or broken connections at both ends or damage to the cable.
2. Replace the information panel cable if damage is present.
3. Run the test again.
4. Replace the operator information panel assembly.
5. Run the test again.
6. If failure remains, refer to "Troubleshooting by symptom" in the system "Installation and Service Guide" for the next corrective action.

Date Message Added: 08/29/2012**Reviewed:** 08/29/2012**089-000-000 CPU Stress Test Passed****Explanation:** CPU Stress Test Passed.**Internal Event:** No**Severity:** Event**Serviceable:** No**Recoverable:** No**Automatically notify Support:** No**Date Message Added:** 07/30/2012**Reviewed:** 08/13/2012**089-801-000 CPU Stress Test Aborted****Explanation:** CPU Stress Test Aborted. Internal Program Error.**Internal Event:** No**Severity:** Warning**Serviceable:** Yes**Recoverable:** No**Automatically notify Support:** No**User response:** Complete the following steps:

1. Turn off and restart the system.
2. Make sure that the DSA Diagnostic code is at the latest level.
3. Run the test again.
4. Check system firmware level and upgrade if necessary. The installed firmware level can be found in the DSA Diagnostic Event Log within the Firmware/VPD section for this component. The latest level firmware for this component can be found in reference to this system type at the IBM Support website: <http://www.ibm.com/systems/support/supportsite.wss/docdisplay?Indocid=MIGR-4JTS2T&brandind=5000008>.
5. Run the test again.
6. If the system has stopped responding, turn off and restart the system and then run the test again.
7. If failure remains, refer to "Troubleshooting by symptom" in the system "Installation and Service Guide" for the next corrective action.

Date Message Added: 07/30/2012**Reviewed:** 08/29/2012**089-802-000 CPU Stress Test Aborted****Explanation:** CPU Stress Test Aborted. System resource unavailability error.**Internal Event:** No**Severity:** Warning**Serviceable:** Yes**Recoverable:** No**Automatically notify Support:** No**User response:** Complete the following steps:

1. Turn off and restart the system.
2. Make sure that the DSA Diagnostic code is at the latest level.
3. Run the test again.
4. Check system firmware level and upgrade if necessary. The installed firmware level can be found in the DSA Diagnostic Event Log within the Firmware/VPD section for this component.

5. Run the test again.
6. If the system has stopped responding, turn off and restart the system and then run the test again.
7. If failure remains, refer to "Troubleshooting by symptom" in the system "Installation and Service Guide" for the next corrective action.

Date Message Added: 07/30/2012

Reviewed: 08/29/2012

089-803-000 CPU Stress Test Aborted

Explanation: CPU Stress Test Aborted. Memory size is insufficient to run the test. At least 1GB is required.

Internal Event: No

Severity: Warning

Serviceable: Yes

Recoverable: No

Automatically notify Support: No

Date Message Added: 07/30/2012

Reviewed: 08/13/2012

089-804-000 CPU Stress Test Aborted

Explanation: CPU Stress Test Aborted. User pressed Ctrl-C.

Internal Event: No

Severity: Warning

Serviceable: Yes

Recoverable: No

Automatically notify Support: No

Date Message Added: 07/30/2012

Reviewed: 08/13/2012

089-901-000 CPU Stress Test Failed

Explanation: CPU Stress Test Failed.

Internal Event: No

Severity: Error

Serviceable: Yes

Recoverable: No

Automatically notify Support: No

User response: Complete the following steps:

1. If the system has stopped responding, turn off and restart the system and then run the test again.
2. Make sure that the DSA Diagnostic code is at the latest level.
3. Run the test again.

4. Check system firmware level and upgrade if necessary. The installed firmware level can be found in the DSA Diagnostic Event Log within the Firmware/VPD section for this component.

5. Run the test again.

6. If the system has stopped responding, turn off and restart the system and then run the test again.

7. If failure remains, refer to "Troubleshooting by symptom" in the system "Installation and Service Guide" for the next corrective action.

Date Message Added: 07/30/2012

Reviewed: 08/29/2012

516-000-000 ELXUCNA: NIC MAC LoopBackTest Passed

Explanation: The test passed.

Internal Event: No

Severity: Event

Serviceable: No

Recoverable: No

Automatically notify Support: No

Date Message Added: 09/03/2012

Reviewed: 09/03/2012

516-001-000 ELXUCNA: NIC PHY LoopBackTest Passed

Explanation: The test passed.

Internal Event: No

Severity: Event

Serviceable: No

Recoverable: No

Automatically notify Support: No

Date Message Added: 09/03/2012

Reviewed: 09/03/2012

516-002-000 ELXUCNA: ELXUCNA: NIC LED(Beacon)Test Passed

Explanation: The test passed.

Internal Event: No

Severity: Event

Serviceable: No

Recoverable: No

Automatically notify Support: No

Date Message Added: 09/03/2012

Reviewed: 09/03/2012

516-800-000 ELXUCNA: NIC MAC LoopBackTest Aborted

Explanation: Loopback testing at the MAC layer was canceled.

Internal Event: No

Severity: Warning

Serviceable: No

Recoverable: No

Automatically notify Support: No

Date Message Added: 09/03/2012

Reviewed: 09/03/2012

516-801-000 ELXUCNA: NIC PHY LoopBackTest Aborted

Explanation: Loopback testing at the physical layer was canceled.

Internal Event: No

Severity: Warning

Serviceable: No

Recoverable: No

Automatically notify Support: No

Date Message Added: 09/03/2012

Reviewed: 09/03/2012

516-802-000 ELXUCNA: ELXUCNA: NIC LED(Beacon)Test Aborted

Explanation: Verification of status LEDs was canceled.

Internal Event: No

Severity: Warning

Serviceable: No

Recoverable: No

Automatically notify Support: No

Date Message Added: 09/03/2012

Reviewed: 09/03/2012

516-900-000 ELXUCNA: NIC MAC LoopBackTest Failed

Explanation: A failure was detected during the loopback test at the MAC layer.

Internal Event: No

Severity: Error

Serviceable: Yes

Recoverable: No

Automatically notify Support: No

User response: Complete the following steps:

1. Check component firmware level and upgrade if necessary. The installed firmware level can be found in the DSA Diagnostic Event Log within the Firmware/VPD section for this component.
2. Rerun the test.
3. If failure remains, refer to "Troubleshooting by symptom" in the system "Installation and Service Guide" for the next corrective action.

Date Message Added: 09/03/2012

Reviewed: 09/03/2012

516-901-000 ELXUCNA: NIC PHY LoopBackTest Failed

Explanation: A failure was detected during the loopback test at the physical layer.

Internal Event: No

Severity: Error

Serviceable: Yes

Recoverable: No

Automatically notify Support: No

User response: Complete the following steps:

1. Check component firmware level and upgrade if necessary. The installed firmware level can be found in the DSA Diagnostic Event Log within the Firmware/VPD section for this component.
2. Rerun the test.
3. If failure remains, refer to "Troubleshooting by symptom" in the system "Installation and Service Guide" for the next corrective action.

Date Message Added: 09/03/2012

Reviewed: 09/03/2012

516-902-000 ELXUCNA: ELXUCNA: NIC LED(Beacon)Test Failed

Explanation: A failure was detected while verifying operation of the status LEDs.

Internal Event: No

Severity: Error

Serviceable: Yes

Recoverable: No

Automatically notify Support: No

User response: Complete the following steps:

1. Check component firmware level and upgrade if necessary. The installed firmware level can be found in the DSA Diagnostic Event Log within the Firmware/VPD section for this component.
2. Rerun the test.
3. If failure remains, refer to "Troubleshooting by symptom" in the system "Installation and Service Guide" for the next corrective action.

Date Message Added: 09/03/2012

Reviewed: 09/03/2012

401-000-000 EXA Port Ping Test Passed

Explanation: EXA Port Ping Test Passed.

Internal Event: No

Severity: Event

Serviceable: No

Recoverable: No

Automatically notify Support: No

Date Message Added: 08/29/2012

Reviewed: 08/29/2012

401-801-000 EXA Port Ping Test Aborted

Explanation: EXA Port Ping Test Aborted. Unable to get device base address.

Internal Event: No

Severity: Warning

Serviceable: Yes

Recoverable: No

Automatically notify Support: No

User response: Complete the following steps:

1. Remove power cables, wait for 45 seconds, reconnect and rerun the test.
2. Make sure that the scalability cable connections are as per specification.
3. Make sure that DSA and BIOS/uEFI are at the latest level.
4. If the problem remains, contact your technical-service representative.

Date Message Added: 08/29/2012

Reviewed: 08/29/2012

401-802-000 EXA Port Ping Test Aborted

Explanation: EXA Port Ping Test Aborted. Port connections may not be correct.

Internal Event: No

Severity: Warning

Serviceable: Yes

Recoverable: No

Automatically notify Support: No

User response: Complete the following steps:

1. Remove power cables, wait for 45 seconds, reconnect and rerun the test.
2. Make sure that the scalability cable connections are as per specification.
3. Make sure that DSA and BIOS/uEFI are at the latest level.
4. If the problem remains, contact your technical-service representative.

Date Message Added: 08/29/2012

Reviewed: 08/29/2012

401-901-001 EXA Port Ping Test Failed

Explanation: EXA Port Ping Test Failed.

Internal Event: No

Severity: Error

Serviceable: Yes

Recoverable: No

Automatically notify Support: No

User response: Complete the following steps:

1. Remove power cables, wait for 45 seconds, reconnect and rerun the test.
2. Make sure that the scalability cable connections are as per specification.
3. Check scalability cables for loose connections.
4. Replace the scalability cable(s) for specified port(s).
5. If the problem remains, contact your technical-service representative.

Date Message Added: 08/29/2012

Reviewed: 08/29/2012

217-000-000 HDD Test Passed

Explanation: HDD Stress Test Passed.

Internal Event: No

Severity: Event

Serviceable: No

Recoverable: No

Automatically notify Support: No

Date Message Added: 08/13/2012

Reviewed: 08/13/2012

217-800-000 HDD Test Aborted

Explanation: HDD Test Aborted. The test was canceled.

Internal Event: No

Severity: Warning

Serviceable: Yes

Recoverable: No

Automatically notify Support: No

User response: Complete the following steps:

1. Check cable connections.
2. Rerun the test.
3. Verify that Hard drive supports self test and self test logging.
4. If the problem remains, contact your technical-support representative.

Date Message Added: 08/13/2012

Reviewed: 08/13/2012

217-900-000 HDD Test Failed

Explanation: HDD Test Failed. The hard drive self-test detected a failure.

Internal Event: No

Severity: Error

Serviceable: Yes

Recoverable: No

Automatically notify Support: No

User response: Complete the following steps:

1. Check cable connections.
2. Rerun the test.
3. Verify the firmware is at the latest level.
4. Rerun the test.
5. If the problem remains, contact your technical-support representative.

Date Message Added: 08/13/2012

Reviewed: 08/13/2012

406-000-000 IANet:Registers Test Passed

Explanation: The test passed.

Internal Event: No

Severity: Event

Serviceable: No

Recoverable: No

Automatically notify Support: No

Date Message Added: 09/03/2012

Reviewed: 09/03/2012

406-001-000 IANet:EEPROM Test Passed

Explanation: The test passed.

Internal Event: No

Severity: Event

Serviceable: No

Recoverable: No

Automatically notify Support: No

Date Message Added: 09/03/2012

Reviewed: 09/03/2012

406-002-000 IANet:FIFO Test Passed

Explanation: The test passed.

Internal Event: No

Severity: Event

Serviceable: No

Recoverable: No

Automatically notify Support: No

Date Message Added: 09/03/2012

Reviewed: 09/03/2012

406-003-000 IANet:Interrupts Test Passed

Explanation: The test passed.

Internal Event: No

Severity: Event

Serviceable: No

Recoverable: No

Automatically notify Support: No

Date Message Added: 09/03/2012

Reviewed: 09/03/2012

406-004-000 IANet:Loopback Test Passed

Explanation: The test passed.

Internal Event: No

Severity: Event

Serviceable: No

Recoverable: No

Automatically notify Support: No

Date Message Added: 09/03/2012

Reviewed: 09/03/2012

406-800-000 IANet:Registers Test Aborted

Explanation: Registers test was canceled.

Internal Event: No

Severity: Warning

Serviceable: No

Recoverable: No

Automatically notify Support: No

Date Message Added: 09/03/2012

Reviewed: 09/03/2012

406-801-000 IANet:EEPROM Test Aborted

Explanation: EEPROM test was canceled.

Internal Event: No

Severity: Warning

Serviceable: No

Recoverable: No

Automatically notify Support: No

Date Message Added: 09/03/2012

Reviewed: 09/03/2012

406-802-000 IANet:FIFO Test Aborted

Explanation: FIFO test was canceled.

Internal Event: No

Severity: Warning

Serviceable: No

Recoverable: No

Automatically notify Support: No

Date Message Added: 09/03/2012

Reviewed: 09/03/2012

406-803-000 IANet:Interrupts Test Aborted

Explanation: Interrupt test was canceled.

Internal Event: No

Severity: Warning

Serviceable: No

Recoverable: No

Automatically notify Support: No

Date Message Added: 09/03/2012

Reviewed: 09/03/2012

406-804-000 IANet:Loopback Test Aborted

Explanation: Loopback test was canceled.

Internal Event: No

Severity: Warning

Serviceable: No

Recoverable: No

Automatically notify Support: No

Date Message Added: 09/03/2012

Reviewed: 09/03/2012

406-900-000 IANet:Registers Test Failed

Explanation: A failure was detected during the Registers test.

Internal Event: No

Severity: Error

Serviceable: Yes

Recoverable: No

Automatically notify Support: No

User response: Complete the following steps:

1. Check component firmware level and upgrade if necessary. The installed firmware level can be found in the DSA Diagnostic Event Log within the Firmware/VPD section for this component.
2. Rerun the test.
3. If failure remains, refer to "Troubleshooting by symptom" in the system "Installation and Service Guide" for the next corrective action.

Date Message Added: 09/03/2012

Reviewed: 09/03/2012

406-901-000 IANet:EEPROM Test Failed

Explanation: A failure was detected during the EEPROM test.

Internal Event: No

Severity: Error

Serviceable: Yes

Recoverable: No

Automatically notify Support: No

User response: Complete the following steps:

1. Check component firmware level and upgrade if necessary. The installed firmware level can be found in the DSA Diagnostic Event Log within the Firmware/VPD section for this component.
2. Rerun the test.

3. If failure remains, refer to "Troubleshooting by symptom" in the system "Installation and Service Guide" for the next corrective action.

Date Message Added: 09/03/2012

Reviewed: 09/03/2012

406-902-000 IANet:FIFO Test Failed

Explanation: A failure was detected during the FIFO test.

Internal Event: No

Severity: Error

Serviceable: Yes

Recoverable: No

Automatically notify Support: No

User response: Complete the following steps:

1. Check component firmware level and upgrade if necessary. The installed firmware level can be found in the DSA Diagnostic Event Log within the Firmware/VPD section for this component.
2. Rerun the test.
3. If failure remains, refer to "Troubleshooting by symptom" in the system "Installation and Service Guide" for the next corrective action.

Date Message Added: 09/03/2012

Reviewed: 09/03/2012

406-903-000 IANet:Interrupts Test Failed

Explanation: A failure was detected during the Interrupt test.

Internal Event: No

Severity: Error

Serviceable: Yes

Recoverable: No

Automatically notify Support: No

User response: Complete the following steps:

1. Check component firmware level and upgrade if necessary. The installed firmware level can be found in the DSA Diagnostic Event Log within the Firmware/VPD section for this component.
2. Rerun the test.
3. Check interrupt assignments in the PCI Hardware section of the DSA Diagnostic Log. If the ethernet device is sharing interrupts, if possible modify the interrupt assignments using F1 Setup to assign a unique interrupt to the device.
4. Rerun the test.

5. If failure remains, refer to "Troubleshooting by symptom" in the system "Installation and Service Guide" for the next corrective action.

Date Message Added: 09/03/2012

Reviewed: 09/03/2012

406-904-000 IANet:Loopback Test Failed

Explanation: A failure was detected during the Loopback test.

Internal Event: No

Severity: Error

Serviceable: Yes

Recoverable: No

Automatically notify Support: No

User response: Complete the following steps:

1. Check the Ethernet cable for damage and ensure correct cable type and attachment.
2. Check component firmware level and upgrade if necessary. The installed firmware level can be found in the DSA Diagnostic Event Log within the Firmware/VPD section for this component.
3. Rerun the test.
4. If failure remains, refer to "Troubleshooting by symptom" in the system "Installation and Service Guide" for the next corrective action.

Date Message Added: 09/03/2012

Reviewed: 09/03/2012

407-000-000 LSIESG:DiskDefaultDiagnostic Test Passed

Explanation: The test passed.

Internal Event: No

Severity: Event

Serviceable: No

Recoverable: No

Automatically notify Support: No

Date Message Added: 09/03/2012

Reviewed: 09/03/2012

407-800-000 LSIESG:DiskDefaultDiagnostic Test Aborted

Explanation: The test was canceled.

Internal Event: No

Severity: Warning

Serviceable: No

Recoverable: No

Automatically notify Support: No

Date Message Added: 09/03/2012

Reviewed: 09/03/2012

407-900-000 LSIESG:DiskDefaultDiagnostic Test Failed

Explanation: The hard drive self-test detected a failure.

Internal Event: No

Severity: Error

Serviceable: Yes

Recoverable: No

Automatically notify Support: No

User response: Complete the following steps:

1. Check cable connections.
2. Rerun the test.
3. Verify whether the firmware is at the latest level.
4. Rerun the test.
5. If the problem remains, contact your IBM technical-support representative.

Date Message Added: 09/03/2012

Reviewed: 09/03/2012

408-000-000 MLNX:MLNX_DiagnosticTestEthernetPort Test Passed

Explanation: Port Test Passed.

Internal Event: No

Severity: Event

Serviceable: No

Recoverable: No

Automatically notify Support: No

Date Message Added: 09/03/2012

Reviewed: 09/03/2012

408-001-000 MLNX:MLNX_DiagnosticTestIBPort Test Passed

Explanation: Port Test Passed.

Internal Event: No

Severity: Event

Serviceable: No

Recoverable: No

Automatically notify Support: No

Date Message Added: 09/03/2012

Reviewed: 09/03/2012

408-800-000 MLNX:MLNX_DiagnosticTestEthernetPort Test Aborted

Explanation: Port Test was canceled.

Internal Event: No

Severity: Warning

Serviceable: No

Recoverable: No

Automatically notify Support: No

Date Message Added: 09/03/2012

Reviewed: 09/03/2012

408-801-000 MLNX:MLNX_DiagnosticTestIBPort Test Aborted

Explanation: Port Test was canceled.

Internal Event: No

Severity: Warning

Serviceable: No

Recoverable: No

Automatically notify Support: No

Date Message Added: 09/03/2012

Reviewed: 09/03/2012

408-900-000 MLNX:MLNX_DiagnosticTestEthernetPort Test Failed

Explanation: Port Test Failed.

Internal Event: No

Severity: Error

Serviceable: Yes

Recoverable: No

Automatically notify Support: No

User response: Complete the following steps:

1. Make sure that the physical link of the port under test is in the active state.
2. If these condition was met but the test keeps failing the port's adapter might be faulty.
3. Try replacing the adapter and repeating the test.

Date Message Added: 09/03/2012

Reviewed: 09/03/2012

408-901-000 MLNX:MLNX_DiagnosticTestIBPort Test Failed**Explanation:** Port Test Failed.**Internal Event:** No**Severity:** Error**Serviceable:** Yes**Recoverable:** No**Automatically notify Support:** No**User response:** Complete the following steps:

1. Make sure that the physical link of the port under test in the active state and a subnet manager running on the fabric to which the port is attached.
2. If these condition was met but the test keeps failing the port's adapter might be faulty.
3. Try replacing the adapter and repeating the test.

Date Message Added: 09/03/2012**Reviewed:** 09/03/2012

201-000-000 Standalone Memory Test Passed**Explanation:** Quick/Full Memory Test All CPUs Passed.**Internal Event:** No**Severity:** Event**Serviceable:** No**Recoverable:** No**Automatically notify Support:** No**Date Message Added:** 09/04/2012**Reviewed:** 09/04/2012

201-000-001 Standalone Memory Test Passed**Explanation:** Quick/Full Memory Test CPU 1 Passed.**Internal Event:** No**Severity:** Event**Serviceable:** No**Recoverable:** No**Automatically notify Support:** No**Date Message Added:** 09/04/2012**Reviewed:** 09/04/2012

201-000-002 Standalone Memory Test Passed**Explanation:** Quick/Full Memory Test CPU 2 Passed.**Internal Event:** No**Severity:** Event**Serviceable:** No**Recoverable:** No**Automatically notify Support:** No**Date Message Added:** 09/04/2012**Reviewed:** 09/04/2012

201-000-003 Standalone Memory Test Passed**Explanation:** Quick/Full Memory Test CPU 3 Passed.**Internal Event:** No**Severity:** Event**Serviceable:** No**Recoverable:** No**Automatically notify Support:** No**Date Message Added:** 09/04/2012**Reviewed:** 09/04/2012

201-000-004 Standalone Memory Test Passed**Explanation:** Quick/Full Memory Test CPU 4 Passed.**Internal Event:** No**Severity:** Event**Serviceable:** No**Recoverable:** No**Automatically notify Support:** No**Date Message Added:** 09/04/2012**Reviewed:** 09/04/2012

201-811-000 Standalone Memory Test Aborted**Explanation:** Unable to Locate SMBIOS key "_SM_".**Internal Event:** No**Severity:** Warning**Serviceable:** No**Recoverable:** No**Automatically notify Support:** No**User response:** Complete the following steps:

1. Perform the actions mentioned one at a time and try the test after each action.
2. If the problem remains, contact your technical-service representative.
3. Turn off the system and disconnect it from power. Wait for 45 seconds. Reseat DIMM(s). Reconnect it to power.
4. Make sure that DSA and BIOS/uEFI are at the latest level.

Date Message Added: 09/04/2012

Reviewed: 09/04/2012

201-811-001 Standalone Memory Test Aborted

Explanation: Unable to Locate SMBIOS key "_SM_".

Internal Event: No

Severity: Warning

Serviceable: No

Recoverable: No

Automatically notify Support: No

User response: Complete the following steps:

1. Perform the actions mentioned one at a time and try the test after each action.
2. If the problem remains, contact your technical-service representative.
3. Turn off the system and disconnect it from power. Wait for 45 seconds. Reseat DIMM(s). Reconnect it to power.
4. Make sure that DSA and BIOS/uEFI are at the latest level.

Date Message Added: 09/04/2012

Reviewed: 09/04/2012

201-811-002 Standalone Memory Test Aborted

Explanation: Unable to Locate SMBIOS key "_SM_".

Internal Event: No

Severity: Warning

Serviceable: No

Recoverable: No

Automatically notify Support: No

User response: Complete the following steps:

1. Perform the actions mentioned one at a time and try the test after each action.
2. If the problem remains, contact your technical-service representative.
3. Turn off the system and disconnect it from power. Wait for 45 seconds. Reseat DIMM(s). Reconnect it to power.
4. Make sure that DSA and BIOS/uEFI are at the latest level.

Date Message Added: 09/04/2012

Reviewed: 09/04/2012

201-811-003 Standalone Memory Test Aborted

Explanation: Unable to Locate SMBIOS key "_SM_".

Internal Event: No

Severity: Warning

Serviceable: No

Recoverable: No

Automatically notify Support: No

User response: Complete the following steps:

1. Perform the actions mentioned one at a time and try the test after each action.
2. If the problem remains, contact your technical-service representative.
3. Turn off the system and disconnect it from power. Wait for 45 seconds. Reseat DIMM(s). Reconnect it to power.
4. Make sure that DSA and BIOS/uEFI are at the latest level.

Date Message Added: 09/04/2012

Reviewed: 09/04/2012

201-812-000 Standalone Memory Test Aborted

Explanation: Memory test is not supported for this system.

Internal Event: No

Severity: Warning

Serviceable: No

Recoverable: No

Automatically notify Support: No

User response: Complete the following steps:

1. Perform the actions mentioned one at a time and try the test after each action.
2. If the problem remains, contact your technical-service representative.
3. Turn off the system and disconnect it from power. Wait for 45 seconds. Reseat DIMM(s). Reconnect it to power.
4. Make sure that DSA and BIOS/uEFI are at the latest level.

Date Message Added: 09/04/2012

Reviewed: 09/04/2012

201-812-001 Standalone Memory Test Aborted

Explanation: Memory test is not supported for this system.

Internal Event: No

Severity: Warning

Serviceable: No**Recoverable:** No**Automatically notify Support:** No**User response:** Complete the following steps:

1. Perform the actions mentioned one at a time and try the test after each action.
2. If the problem remains, contact your technical-service representative.
3. Turn off the system and disconnect it from power. Wait for 45 seconds. Reseat DIMM(s). Reconnect it to power.
4. Make sure that DSA and BIOS/uEFI are at the latest level.

Date Message Added: 09/04/2012**Reviewed:** 09/04/2012**201-812-002 Standalone Memory Test Aborted****Explanation:** Memory test is not supported for this system.**Internal Event:** No**Severity:** Warning**Serviceable:** No**Recoverable:** No**Automatically notify Support:** No**User response:** Complete the following steps:

1. Perform the actions mentioned one at a time and try the test after each action.
2. If the problem remains, contact your technical-service representative.
3. Turn off the system and disconnect it from power. Wait for 45 seconds. Reseat DIMM(s). Reconnect it to power.
4. Make sure that DSA and BIOS/uEFI are at the latest level.

Date Message Added: 09/04/2012**Reviewed:** 09/04/2012**201-812-003 Standalone Memory Test Aborted****Explanation:** Memory test is not supported for this system.**Internal Event:** No**Severity:** Warning**Serviceable:** No**Recoverable:** No**Automatically notify Support:** No**User response:** Complete the following steps:

1. Perform the actions mentioned one at a time and try the test after each action.
2. If the problem remains, contact your technical-service representative.
3. Turn off the system and disconnect it from power. Wait for 45 seconds. Reseat DIMM(s). Reconnect it to power.
4. Make sure that DSA and BIOS/uEFI are at the latest level.

Date Message Added: 09/04/2012**Reviewed:** 09/04/2012**201-813-000 Standalone Memory Test Aborted****Explanation:** Chipset Error: Can not turn OFF ECC error reporting in CPU.**Internal Event:** No**Severity:** Warning**Serviceable:** No**Recoverable:** No**Automatically notify Support:** No**User response:** Complete the following steps:

1. Perform the actions mentioned one at a time and try the test after each action.
2. If the problem remains, contact your technical-service representative.
3. Turn off the system and disconnect it from power. Wait for 45 seconds. Reseat DIMM(s). Reconnect it to power.
4. Make sure that DSA and BIOS/uEFI are at the latest level.

Date Message Added: 09/04/2012**Reviewed:** 09/04/2012**201-813-001 Standalone Memory Test Aborted****Explanation:** Chipset Error: Can not turn OFF ECC error reporting in CPU.**Internal Event:** No**Severity:** Warning**Serviceable:** No**Recoverable:** No**Automatically notify Support:** No**User response:** Complete the following steps:

1. Perform the actions mentioned one at a time and try the test after each action.
2. If the problem remains, contact your technical-service representative.

201-813-002 • 201-814-001

3. Turn off the system and disconnect it from power. Wait for 45 seconds. Reseat DIMM(s). Reconnect it to power.
4. Make sure that DSA and BIOS/uEFI are at the latest level.

Date Message Added: 09/04/2012

Reviewed: 09/04/2012

201-813-002 Standalone Memory Test Aborted

Explanation: Chipset Error: Can not turn OFF ECC error reporting in CPU.

Internal Event: No

Severity: Warning

Serviceable: No

Recoverable: No

Automatically notify Support: No

User response: Complete the following steps:

1. Perform the actions mentioned one at a time and try the test after each action.
2. If the problem remains, contact your technical-service representative.
3. Turn off the system and disconnect it from power. Wait for 45 seconds. Reseat DIMM(s). Reconnect it to power.
4. Make sure that DSA and BIOS/uEFI are at the latest level.

Date Message Added: 09/04/2012

Reviewed: 09/04/2012

201-813-003 Standalone Memory Test Aborted

Explanation: Chipset Error: Can not turn OFF ECC error reporting in CPU.

Internal Event: No

Severity: Warning

Serviceable: No

Recoverable: No

Automatically notify Support: No

User response: Complete the following steps:

1. Perform the actions mentioned one at a time and try the test after each action.
2. If the problem remains, contact your technical-service representative.
3. Turn off the system and disconnect it from power. Wait for 45 seconds. Reseat DIMM(s). Reconnect it to power.
4. Make sure that DSA and BIOS/uEFI are at the latest level.

Date Message Added: 09/04/2012

Reviewed: 09/04/2012

201-814-000 Standalone Memory Test Aborted

Explanation: Chipset Error: Can not disable Scubbing feature for CPU.

Internal Event: No

Severity: Warning

Serviceable: No

Recoverable: No

Automatically notify Support: No

User response: Complete the following steps:

1. Perform the actions mentioned one at a time and try the test after each action.
2. If the problem remains, contact your technical-service representative.
3. Turn off the system and disconnect it from power. Wait for 45 seconds. Reseat DIMM(s). Reconnect it to power.
4. Make sure that DSA and BIOS/uEFI are at the latest level.

Date Message Added: 09/04/2012

Reviewed: 09/04/2012

201-814-001 Standalone Memory Test Aborted

Explanation: Chipset Error: Can not disable Scubbing feature for CPU.

Internal Event: No

Severity: Warning

Serviceable: No

Recoverable: No

Automatically notify Support: No

User response: Complete the following steps:

1. Perform the actions mentioned one at a time and try the test after each action.
2. If the problem remains, contact your technical-service representative.
3. Turn off the system and disconnect it from power. Wait for 45 seconds. Reseat DIMM(s). Reconnect it to power.
4. Make sure that DSA and BIOS/uEFI are at the latest level.

Date Message Added: 09/04/2012

Reviewed: 09/04/2012

201-814-002 Standalone Memory Test Aborted

Explanation: Chipset Error: Can not disable Scubbing feature for CPU.

Internal Event: No

Severity: Warning

Serviceable: No

Recoverable: No

Automatically notify Support: No

User response: Complete the following steps:

1. Perform the actions mentioned one at a time and try the test after each action.
2. If the problem remains, contact your technical-service representative.
3. Turn off the system and disconnect it from power. Wait for 45 seconds. Reseat DIMM(s). Reconnect it to power.
4. Make sure that DSA and BIOS/uEFI are at the latest level.

Date Message Added: 09/04/2012

Reviewed: 09/04/2012

201-814-003 Standalone Memory Test Aborted

Explanation: Chipset Error: Can not disable Scubbing feature for CPU.

Internal Event: No

Severity: Warning

Serviceable: No

Recoverable: No

Automatically notify Support: No

User response: Complete the following steps:

1. Perform the actions mentioned one at a time and try the test after each action.
2. If the problem remains, contact your technical-service representative.
3. Turn off the system and disconnect it from power. Wait for 45 seconds. Reseat DIMM(s). Reconnect it to power.
4. Make sure that DSA and BIOS/uEFI are at the latest level.

Date Message Added: 09/04/2012

Reviewed: 09/04/2012

201-815-000 Standalone Memory Test Aborted

Explanation: Program Error with Quick Memory Menu Option Selection.

Internal Event: No

Severity: Warning

Serviceable: No

Recoverable: No

Automatically notify Support: No

User response: Complete the following steps:

1. Perform the actions mentioned one at a time and try the test after each action.
2. If the problem remains, contact your technical-service representative.
3. Turn off the system and disconnect it from power. Wait for 45 seconds. Reseat DIMM(s). Reconnect it to power.
4. Make sure that DSA and BIOS/uEFI are at the latest level.

Date Message Added: 09/04/2012

Reviewed: 09/04/2012

201-815-001 Standalone Memory Test Aborted

Explanation: Program Error with Quick Memory Menu Option Selection.

Internal Event: No

Severity: Warning

Serviceable: No

Recoverable: No

Automatically notify Support: No

User response: Complete the following steps:

1. Perform the actions mentioned one at a time and try the test after each action.
2. If the problem remains, contact your technical-service representative.
3. Turn off the system and disconnect it from power. Wait for 45 seconds. Reseat DIMM(s). Reconnect it to power.
4. Make sure that DSA and BIOS/uEFI are at the latest level.

Date Message Added: 09/04/2012

Reviewed: 09/04/2012

201-815-002 Standalone Memory Test Aborted

Explanation: Program Error with Quick Memory Menu Option Selection.

Internal Event: No

Severity: Warning

Serviceable: No

Recoverable: No

Automatically notify Support: No

201-815-003 • 201-816-002

User response: Complete the following steps:

1. Perform the actions mentioned one at a time and try the test after each action.
2. If the problem remains, contact your technical-service representative.
3. Turn off the system and disconnect it from power. Wait for 45 seconds. Reseat DIMM(s). Reconnect it to power.
4. Make sure that DSA and BIOS/uEFI are at the latest level.

Date Message Added: 09/04/2012

Reviewed: 09/04/2012

201-815-003 Standalone Memory Test Aborted

Explanation: Program Error with Quick Memory Menu Option Selection.

Internal Event: No

Severity: Warning

Serviceable: No

Recoverable: No

Automatically notify Support: No

User response: Complete the following steps:

1. Perform the actions mentioned one at a time and try the test after each action.
2. If the problem remains, contact your technical-service representative.
3. Turn off the system and disconnect it from power. Wait for 45 seconds. Reseat DIMM(s). Reconnect it to power.
4. Make sure that DSA and BIOS/uEFI are at the latest level.

Date Message Added: 09/04/2012

Reviewed: 09/04/2012

201-816-000 Standalone Memory Test Aborted

Explanation: Program Error with Full Memory Menu Option Selection.

Internal Event: No

Severity: Warning

Serviceable: No

Recoverable: No

Automatically notify Support: No

User response: Complete the following steps:

1. Perform the actions mentioned one at a time and try the test after each action.
2. If the problem remains, contact your technical-service representative.

3. Turn off the system and disconnect it from power. Wait for 45 seconds. Reseat DIMM(s). Reconnect it to power.
4. Make sure that DSA and BIOS/uEFI are at the latest level.

Date Message Added: 09/04/2012

Reviewed: 09/04/2012

201-816-001 Standalone Memory Test Aborted

Explanation: Program Error with Full Memory Menu Option Selection.

Internal Event: No

Severity: Warning

Serviceable: No

Recoverable: No

Automatically notify Support: No

User response: Complete the following steps:

1. Perform the actions mentioned one at a time and try the test after each action.
2. If the problem remains, contact your technical-service representative.
3. Turn off the system and disconnect it from power. Wait for 45 seconds. Reseat DIMM(s). Reconnect it to power.
4. Make sure that DSA and BIOS/uEFI are at the latest level.

Date Message Added: 09/04/2012

Reviewed: 09/04/2012

201-816-002 Standalone Memory Test Aborted

Explanation: Program Error with Full Memory Menu Option Selection.

Internal Event: No

Severity: Warning

Serviceable: No

Recoverable: No

Automatically notify Support: No

User response: Complete the following steps:

1. Perform the actions mentioned one at a time and try the test after each action.
2. If the problem remains, contact your technical-service representative.
3. Turn off the system and disconnect it from power. Wait for 45 seconds. Reseat DIMM(s). Reconnect it to power.
4. Make sure that DSA and BIOS/uEFI are at the latest level.

Date Message Added: 09/04/2012**Reviewed:** 09/04/2012

201-816-003 Standalone Memory Test Aborted**Explanation:** Program Error with Full Memory Menu Option Selection.**Internal Event:** No**Severity:** Warning**Serviceable:** No**Recoverable:** No**Automatically notify Support:** No**User response:** Complete the following steps:

1. Perform the actions mentioned one at a time and try the test after each action.
2. If the problem remains, contact your technical-service representative.
3. Turn off the system and disconnect it from power. Wait for 45 seconds. Reseat DIMM(s). Reconnect it to power.
4. Make sure that DSA and BIOS/uEFI are at the latest level.

Date Message Added: 09/04/2012**Reviewed:** 09/04/2012

201-818-000 Standalone Memory Test Aborted**Explanation:** Unable to Locate SMBIOS key "_SM_".**Internal Event:** No**Severity:** Warning**Serviceable:** No**Recoverable:** No**Automatically notify Support:** No**User response:** Complete the following steps:

1. Perform the actions mentioned one at a time and try the test after each action.
2. If the problem remains, contact your technical-service representative.
3. Turn off the system and disconnect it from power. Wait for 45 seconds. Reseat DIMM(s). Reconnect it to power.
4. Make sure that DSA and BIOS/uEFI are at the latest level.

Date Message Added: 09/04/2012**Reviewed:** 09/04/2012

201-818-001 Standalone Memory Test Aborted**Explanation:** Unable to Locate SMBIOS key "_SM_".**Internal Event:** No**Severity:** Warning**Serviceable:** No**Recoverable:** No**Automatically notify Support:** No**User response:** Complete the following steps:

1. Perform the actions mentioned one at a time and try the test after each action.
2. If the problem remains, contact your technical-service representative.
3. Turn off the system and disconnect it from power. Wait for 45 seconds. Reseat DIMM(s). Reconnect it to power.
4. Make sure that DSA and BIOS/uEFI are at the latest level.

Date Message Added: 09/04/2012**Reviewed:** 09/04/2012

201-818-002 Standalone Memory Test Aborted**Explanation:** Unable to Locate SMBIOS key "_SM_".**Internal Event:** No**Severity:** Warning**Serviceable:** No**Recoverable:** No**Automatically notify Support:** No**User response:** Complete the following steps:

1. Perform the actions mentioned one at a time and try the test after each action.
2. If the problem remains, contact your technical-service representative.
3. Turn off the system and disconnect it from power. Wait for 45 seconds. Reseat DIMM(s). Reconnect it to power.
4. Make sure that DSA and BIOS/uEFI are at the latest level.

Date Message Added: 09/04/2012**Reviewed:** 09/04/2012

201-818-003 Standalone Memory Test Aborted**Explanation:** Unable to Locate SMBIOS key "_SM_".**Internal Event:** No**Severity:** Warning**Serviceable:** No

Recoverable: No

Automatically notify Support: No

User response: Complete the following steps:

1. Perform the actions mentioned one at a time and try the test after each action.
2. If the problem remains, contact your technical-service representative.
3. Turn off the system and disconnect it from power. Wait for 45 seconds. Reseat DIMM(s). Reconnect it to power.
4. Make sure that DSA and BIOS/uEFI are at the latest level.

Date Message Added: 09/04/2012

Reviewed: 09/04/2012

201-819-000 Standalone Memory Test Aborted

Explanation: The start-end address ranges in the restricted area of the memory.

Internal Event: No

Severity: Warning

Serviceable: No

Recoverable: No

Automatically notify Support: No

User response: Complete the following steps:

1. Perform the actions mentioned one at a time and try the test after each action.
2. If the problem remains, contact your technical-service representative.
3. Turn off the system and disconnect it from power. Wait for 45 seconds. Reseat DIMM(s). Reconnect it to power.
4. Make sure that DSA and BIOS/uEFI are at the latest level.

Date Message Added: 09/04/2012

Reviewed: 09/04/2012

201-819-001 Standalone Memory Test Aborted

Explanation: The start-end address ranges in the restricted area of the memory.

Internal Event: No

Severity: Warning

Serviceable: No

Recoverable: No

Automatically notify Support: No

User response: Complete the following steps:

1. Perform the actions mentioned one at a time and try the test after each action.

2. If the problem remains, contact your technical-service representative.
3. Turn off the system and disconnect it from power. Wait for 45 seconds. Reseat DIMM(s). Reconnect it to power.
4. Make sure that DSA and BIOS/uEFI are at the latest level.

Date Message Added: 09/04/2012

Reviewed: 09/04/2012

201-819-002 Standalone Memory Test Aborted

Explanation: The start-end address ranges in the restricted area of the memory.

Internal Event: No

Severity: Warning

Serviceable: No

Recoverable: No

Automatically notify Support: No

User response: Complete the following steps:

1. Perform the actions mentioned one at a time and try the test after each action.
2. If the problem remains, contact your technical-service representative.
3. Turn off the system and disconnect it from power. Wait for 45 seconds. Reseat DIMM(s). Reconnect it to power.
4. Make sure that DSA and BIOS/uEFI are at the latest level.

Date Message Added: 09/04/2012

Reviewed: 09/04/2012

201-819-003 Standalone Memory Test Aborted

Explanation: The start-end address ranges in the restricted area of the memory.

Internal Event: No

Severity: Warning

Serviceable: No

Recoverable: No

Automatically notify Support: No

User response: Complete the following steps:

1. Perform the actions mentioned one at a time and try the test after each action.
2. If the problem remains, contact your technical-service representative.
3. Turn off the system and disconnect it from power. Wait for 45 seconds. Reseat DIMM(s). Reconnect it to power.

4. Make sure that DSA and BIOS/uEFI are at the latest level.

Date Message Added: 09/04/2012

Reviewed: 09/04/2012

201-820-000 Standalone Memory Test Aborted

Explanation: Memory Upper limit is less than 16 Mbytes.

Internal Event: No

Severity: Warning

Serviceable: No

Recoverable: No

Automatically notify Support: No

User response: Complete the following steps:

1. Perform the actions mentioned one at a time and try the test after each action.
2. If the problem remains, contact your technical-service representative.
3. Turn off the system and disconnect it from power. Wait for 45 seconds. Reseat DIMM(s). Reconnect it to power.
4. Make sure that DSA and BIOS/uEFI are at the latest level.

Date Message Added: 09/04/2012

Reviewed: 09/04/2012

201-820-001 Standalone Memory Test Aborted

Explanation: Memory Upper limit is less than 16 Mbytes.

Internal Event: No

Severity: Warning

Serviceable: No

Recoverable: No

Automatically notify Support: No

User response: Complete the following steps:

1. Perform the actions mentioned one at a time and try the test after each action.
2. If the problem remains, contact your technical-service representative.
3. Turn off the system and disconnect it from power. Wait for 45 seconds. Reseat DIMM(s). Reconnect it to power.
4. Make sure that DSA and BIOS/uEFI are at the latest level.

Date Message Added: 09/04/2012

Reviewed: 09/04/2012

201-820-002 Standalone Memory Test Aborted

Explanation: Memory Upper limit is less than 16 Mbytes.

Internal Event: No

Severity: Warning

Serviceable: No

Recoverable: No

Automatically notify Support: No

User response: Complete the following steps:

1. Perform the actions mentioned one at a time and try the test after each action.
2. If the problem remains, contact your technical-service representative.
3. Turn off the system and disconnect it from power. Wait for 45 seconds. Reseat DIMM(s). Reconnect it to power.
4. Make sure that DSA and BIOS/uEFI are at the latest level.

Date Message Added: 09/04/2012

Reviewed: 09/04/2012

201-820-003 Standalone Memory Test Aborted

Explanation: Memory Upper limit is less than 16 Mbytes.

Internal Event: No

Severity: Warning

Serviceable: No

Recoverable: No

Automatically notify Support: No

User response: Complete the following steps:

1. Perform the actions mentioned one at a time and try the test after each action.
2. If the problem remains, contact your technical-service representative.
3. Turn off the system and disconnect it from power. Wait for 45 seconds. Reseat DIMM(s). Reconnect it to power.
4. Make sure that DSA and BIOS/uEFI are at the latest level.

Date Message Added: 09/04/2012

Reviewed: 09/04/2012

201-821-000 Standalone Memory Test Aborted

Explanation: Variable range MTRR registers are larger than fixed range MTRR registers.

Internal Event: No

Severity: Warning

Serviceable: No

Recoverable: No

Automatically notify Support: No

User response: Complete the following steps:

1. Perform the actions mentioned one at a time and try the test after each action.
2. If the problem remains, contact your technical-service representative.
3. Turn off the system and disconnect it from power. Wait for 45 seconds. Reseat DIMM(s). Reconnect it to power.
4. Make sure that DSA and BIOS/uEFI are at the latest level.

Date Message Added: 09/04/2012

Reviewed: 09/04/2012

201-821-001 Standalone Memory Test Aborted

Explanation: Variable range MTRR registers are larger than fixed range MTRR registers.

Internal Event: No

Severity: Warning

Serviceable: No

Recoverable: No

Automatically notify Support: No

User response: Complete the following steps:

1. Perform the actions mentioned one at a time and try the test after each action.
2. If the problem remains, contact your technical-service representative.
3. Turn off the system and disconnect it from power. Wait for 45 seconds. Reseat DIMM(s). Reconnect it to power.
4. Make sure that DSA and BIOS/uEFI are at the latest level.

Date Message Added: 09/04/2012

Reviewed: 09/04/2012

201-821-002 Standalone Memory Test Aborted

Explanation: Variable range MTRR registers are larger than fixed range MTRR registers.

Internal Event: No

Severity: Warning

Serviceable: No

Recoverable: No

Automatically notify Support: No

User response: Complete the following steps:

1. Perform the actions mentioned one at a time and try the test after each action.
2. If the problem remains, contact your technical-service representative.
3. Turn off the system and disconnect it from power. Wait for 45 seconds. Reseat DIMM(s). Reconnect it to power.
4. Make sure that DSA and BIOS/uEFI are at the latest level.

Date Message Added: 09/04/2012

Reviewed: 09/04/2012

201-821-003 Standalone Memory Test Aborted

Explanation: Variable range MTRR registers are larger than fixed range MTRR registers.

Internal Event: No

Severity: Warning

Serviceable: No

Recoverable: No

Automatically notify Support: No

User response: Complete the following steps:

1. Perform the actions mentioned one at a time and try the test after each action.
2. If the problem remains, contact your technical-service representative.
3. Turn off the system and disconnect it from power. Wait for 45 seconds. Reseat DIMM(s). Reconnect it to power.
4. Make sure that DSA and BIOS/uEFI are at the latest level.

Date Message Added: 09/04/2012

Reviewed: 09/04/2012

201-822-000 Standalone Memory Test Aborted

Explanation: Invalid MTRR service request.

Internal Event: No

Severity: Warning

Serviceable: No

Recoverable: No

Automatically notify Support: No

User response: Complete the following steps:

1. Perform the actions mentioned one at a time and try the test after each action.
2. If the problem remains, contact your technical-service representative.

3. Turn off the system and disconnect it from power. Wait for 45 seconds. Reseat DIMM(s). Reconnect it to power.
4. Make sure that DSA and BIOS/uEFI are at the latest level.

Date Message Added: 09/04/2012

Reviewed: 09/04/2012

201-822-001 Standalone Memory Test Aborted

Explanation: Invalid MTRR service request.

Internal Event: No

Severity: Warning

Serviceable: No

Recoverable: No

Automatically notify Support: No

User response: Complete the following steps:

1. Perform the actions mentioned one at a time and try the test after each action.
2. If the problem remains, contact your technical-service representative.
3. Turn off the system and disconnect it from power. Wait for 45 seconds. Reseat DIMM(s). Reconnect it to power.
4. Make sure that DSA and BIOS/uEFI are at the latest level.

Date Message Added: 09/04/2012

Reviewed: 09/04/2012

201-822-002 Standalone Memory Test Aborted

Explanation: Invalid MTRR service request.

Internal Event: No

Severity: Warning

Serviceable: No

Recoverable: No

Automatically notify Support: No

User response: Complete the following steps:

1. Perform the actions mentioned one at a time and try the test after each action.
2. If the problem remains, contact your technical-service representative.
3. Turn off the system and disconnect it from power. Wait for 45 seconds. Reseat DIMM(s). Reconnect it to power.
4. Make sure that DSA and BIOS/uEFI are at the latest level.

Date Message Added: 09/04/2012

Reviewed: 09/04/2012

201-822-003 Standalone Memory Test Aborted

Explanation: Invalid MTRR service request.

Internal Event: No

Severity: Warning

Serviceable: No

Recoverable: No

Automatically notify Support: No

User response: Complete the following steps:

1. Perform the actions mentioned one at a time and try the test after each action.
2. If the problem remains, contact your technical-service representative.
3. Turn off the system and disconnect it from power. Wait for 45 seconds. Reseat DIMM(s). Reconnect it to power.
4. Make sure that DSA and BIOS/uEFI are at the latest level.

Date Message Added: 09/04/2012

Reviewed: 09/04/2012

201-824-000 Standalone Memory Test Aborted

Explanation: Node Interleave feature must be OFF. Go to Setup and disable Node Interleave option and then re-run the test.

Internal Event: No

Severity: Warning

Serviceable: No

Recoverable: No

Automatically notify Support: No

User response: Complete the following steps:

1. Perform the actions mentioned one at a time and try the test after each action.
2. If the problem remains, contact your technical-service representative.
3. Turn off the system and disconnect it from power. Wait for 45 seconds. Reseat DIMM(s). Reconnect it to power.
4. Make sure that DSA and BIOS/uEFI are at the latest level.

Date Message Added: 09/04/2012

Reviewed: 09/04/2012

201-824-001 Standalone Memory Test Aborted

Explanation: Node Interleave feature must be OFF. Go to Setup and disable Node Interleave option and then re-run the test.

Internal Event: No

Severity: Warning

Serviceable: No

Recoverable: No

Automatically notify Support: No

User response: Complete the following steps:

1. Perform the actions mentioned one at a time and try the test after each action.
2. If the problem remains, contact your technical-service representative.
3. Turn off the system and disconnect it from power. Wait for 45 seconds. Reseat DIMM(s). Reconnect it to power.
4. Make sure that DSA and BIOS/uEFI are at the latest level.

Date Message Added: 09/04/2012

Reviewed: 09/04/2012

201-824-002 Standalone Memory Test Aborted

Explanation: Node Interleave feature must be OFF. Go to Setup and disable Node Interleave option and then re-run the test.

Internal Event: No

Severity: Warning

Serviceable: No

Recoverable: No

Automatically notify Support: No

User response: Complete the following steps:

1. Perform the actions mentioned one at a time and try the test after each action.
2. If the problem remains, contact your technical-service representative.
3. Turn off the system and disconnect it from power. Wait for 45 seconds. Reseat DIMM(s). Reconnect it to power.
4. Make sure that DSA and BIOS/uEFI are at the latest level.

Date Message Added: 09/04/2012

Reviewed: 09/04/2012

201-824-003 Standalone Memory Test Aborted

Explanation: Node Interleave feature must be OFF. Go to Setup and disable Node Interleave option and then re-run the test.

Internal Event: No

Severity: Warning

Serviceable: No

Recoverable: No

Automatically notify Support: No

User response: Complete the following steps:

1. Perform the actions mentioned one at a time and try the test after each action.
2. If the problem remains, contact your technical-service representative.
3. Turn off the system and disconnect it from power. Wait for 45 seconds. Reseat DIMM(s). Reconnect it to power.
4. Make sure that DSA and BIOS/uEFI are at the latest level.

Date Message Added: 09/04/2012

Reviewed: 09/04/2012

201-826-000 Standalone Memory Test Aborted

Explanation: BIOS: Memory Controller has been disabled. Go to Setup and Enable Memory Controller.

Internal Event: No

Severity: Warning

Serviceable: No

Recoverable: No

Automatically notify Support: No

User response: Complete the following steps:

1. Perform the actions mentioned one at a time and try the test after each action.
2. If the problem remains, contact your technical-service representative.
3. Turn off the system and disconnect it from power. Wait for 45 seconds. Reseat DIMM(s). Reconnect it to power.
4. Make sure that DSA and BIOS/uEFI are at the latest level.

Date Message Added: 09/04/2012

Reviewed: 09/04/2012

201-826-001 Standalone Memory Test Aborted

Explanation: BIOS: Memory Controller has been disabled. Go to Setup and Enable Memory Controller.

Internal Event: No

Severity: Warning

Serviceable: No

Recoverable: No

Automatically notify Support: No

User response: Complete the following steps:

1. Perform the actions mentioned one at a time and try the test after each action.

2. If the problem remains, contact your technical-service representative.
3. Turn off the system and disconnect it from power. Wait for 45 seconds. Reseat DIMM(s). Reconnect it to power.
4. Make sure that DSA and BIOS/uEFI are at the latest level.

Date Message Added: 09/04/2012

Reviewed: 09/04/2012

201-826-002 Standalone Memory Test Aborted

Explanation: BIOS: Memory Controller has been disabled. Go to Setup and Enable Memory Controller.

Internal Event: No

Severity: Warning

Serviceable: No

Recoverable: No

Automatically notify Support: No

User response: Complete the following steps:

1. Perform the actions mentioned one at a time and try the test after each action.
2. If the problem remains, contact your technical-service representative.
3. Turn off the system and disconnect it from power. Wait for 45 seconds. Reseat DIMM(s). Reconnect it to power.
4. Make sure that DSA and BIOS/uEFI are at the latest level.

Date Message Added: 09/04/2012

Reviewed: 09/04/2012

201-826-003 Standalone Memory Test Aborted

Explanation: BIOS: Memory Controller has been disabled. Go to Setup and Enable Memory Controller.

Internal Event: No

Severity: Warning

Serviceable: No

Recoverable: No

Automatically notify Support: No

User response: Complete the following steps:

1. Perform the actions mentioned one at a time and try the test after each action.
2. If the problem remains, contact your technical-service representative.
3. Turn off the system and disconnect it from power. Wait for 45 seconds. Reseat DIMM(s). Reconnect it to power.

4. Make sure that DSA and BIOS/uEFI are at the latest level.

Date Message Added: 09/04/2012

Reviewed: 09/04/2012

201-827-000 Standalone Memory Test Aborted

Explanation: BIOS: ECC function has been disabled by BIOS. Go to Setup and enable ECC generation.

Internal Event: No

Severity: Warning

Serviceable: No

Recoverable: No

Automatically notify Support: No

User response: Complete the following steps:

1. Perform the actions mentioned one at a time and try the test after each action.
2. If the problem remains, contact your technical-service representative.
3. Turn off the system and disconnect it from power. Wait for 45 seconds. Reseat DIMM(s). Reconnect it to power.
4. Make sure that DSA and BIOS/uEFI are at the latest level.

Date Message Added: 09/04/2012

Reviewed: 09/04/2012

201-827-001 Standalone Memory Test Aborted

Explanation: BIOS: ECC function has been disabled by BIOS. Go to Setup and enable ECC generation.

Internal Event: No

Severity: Warning

Serviceable: No

Recoverable: No

Automatically notify Support: No

User response: Complete the following steps:

1. Perform the actions mentioned one at a time and try the test after each action.
2. If the problem remains, contact your technical-service representative.
3. Turn off the system and disconnect it from power. Wait for 45 seconds. Reseat DIMM(s). Reconnect it to power.
4. Make sure that DSA and BIOS/uEFI are at the latest level.

Date Message Added: 09/04/2012

Reviewed: 09/04/2012

201-827-002 Standalone Memory Test Aborted

Explanation: BIOS: ECC function has been disabled by BIOS. Go to Setup and enable ECC generation.

Internal Event: No

Severity: Warning

Serviceable: No

Recoverable: No

Automatically notify Support: No

User response: Complete the following steps:

1. Perform the actions mentioned one at a time and try the test after each action.
2. If the problem remains, contact your technical-service representative.
3. Turn off the system and disconnect it from power. Wait for 45 seconds. Reseat DIMM(s). Reconnect it to power.
4. Make sure that DSA and BIOS/uEFI are at the latest level.

Date Message Added: 09/04/2012

Reviewed: 09/04/2012

201-827-003 Standalone Memory Test Aborted

Explanation: BIOS: ECC function has been disabled by BIOS. Go to Setup and enable ECC generation.

Internal Event: No

Severity: Warning

Serviceable: No

Recoverable: No

Automatically notify Support: No

User response: Complete the following steps:

1. Perform the actions mentioned one at a time and try the test after each action.
2. If the problem remains, contact your technical-service representative.
3. Turn off the system and disconnect it from power. Wait for 45 seconds. Reseat DIMM(s). Reconnect it to power.
4. Make sure that DSA and BIOS/uEFI are at the latest level.

Date Message Added: 09/04/2012

Reviewed: 09/04/2012

201-844-000 Standalone Memory Test Aborted

Explanation: Chipset Error: Problem in masking MSR machine check control MASK registers.

Internal Event: No

Severity: Warning

Serviceable: No

Recoverable: No

Automatically notify Support: No

User response: Complete the following steps:

1. Perform the actions mentioned one at a time and try the test after each action.
2. If the problem remains, contact your technical-service representative.
3. Turn off the system and disconnect it from power. Wait for 45 seconds. Reseat DIMM(s). Reconnect it to power.
4. Make sure that DSA and BIOS/uEFI are at the latest level.

Date Message Added: 09/04/2012

Reviewed: 09/04/2012

201-844-001 Standalone Memory Test Aborted

Explanation: Chipset Error: Problem in masking MSR machine check control MASK registers.

Internal Event: No

Severity: Warning

Serviceable: No

Recoverable: No

Automatically notify Support: No

User response: Complete the following steps:

1. Perform the actions mentioned one at a time and try the test after each action.
2. If the problem remains, contact your technical-service representative.
3. Turn off the system and disconnect it from power. Wait for 45 seconds. Reseat DIMM(s). Reconnect it to power.
4. Make sure that DSA and BIOS/uEFI are at the latest level.

Date Message Added: 09/04/2012

Reviewed: 09/04/2012

201-844-002 Standalone Memory Test Aborted

Explanation: Chipset Error: Problem in masking MSR machine check control MASK registers.

Internal Event: No

Severity: Warning

Serviceable: No

Recoverable: No

Automatically notify Support: No

User response: Complete the following steps:

1. Perform the actions mentioned one at a time and try the test after each action.
2. If the problem remains, contact your technical-service representative.
3. Turn off the system and disconnect it from power. Wait for 45 seconds. Reseat DIMM(s). Reconnect it to power.
4. Make sure that DSA and BIOS/uEFI are at the latest level.

Date Message Added: 09/04/2012

Reviewed: 09/04/2012

201-844-003 Standalone Memory Test Aborted

Explanation: Chipset Error: Problem in masking MSR machine check control MASK registers.

Internal Event: No

Severity: Warning

Serviceable: No

Recoverable: No

Automatically notify Support: No

User response: Complete the following steps:

1. Perform the actions mentioned one at a time and try the test after each action.
2. If the problem remains, contact your technical-service representative.
3. Turn off the system and disconnect it from power. Wait for 45 seconds. Reseat DIMM(s). Reconnect it to power.
4. Make sure that DSA and BIOS/uEFI are at the latest level.

Date Message Added: 09/04/2012

Reviewed: 09/04/2012

201-845-000 Standalone Memory Test Aborted

Explanation: Chipset Error: Problem clearing MSR machine check control registers.

Internal Event: No

Severity: Warning

Serviceable: No

Recoverable: No

Automatically notify Support: No

User response: Complete the following steps:

1. Perform the actions mentioned one at a time and try the test after each action.
2. If the problem remains, contact your technical-service representative.

3. Turn off the system and disconnect it from power. Wait for 45 seconds. Reseat DIMM(s). Reconnect it to power.
4. Make sure that DSA and BIOS/uEFI are at the latest level.

Date Message Added: 09/04/2012

Reviewed: 09/04/2012

201-845-001 Standalone Memory Test Aborted

Explanation: Chipset Error: Problem clearing MSR machine check control registers.

Internal Event: No

Severity: Warning

Serviceable: No

Recoverable: No

Automatically notify Support: No

User response: Complete the following steps:

1. Perform the actions mentioned one at a time and try the test after each action.
2. If the problem remains, contact your technical-service representative.
3. Turn off the system and disconnect it from power. Wait for 45 seconds. Reseat DIMM(s). Reconnect it to power.
4. Make sure that DSA and BIOS/uEFI are at the latest level.

Date Message Added: 09/04/2012

Reviewed: 09/04/2012

201-845-002 Standalone Memory Test Aborted

Explanation: Chipset Error: Problem clearing MSR machine check control registers.

Internal Event: No

Severity: Warning

Serviceable: No

Recoverable: No

Automatically notify Support: No

User response: Complete the following steps:

1. Perform the actions mentioned one at a time and try the test after each action.
2. If the problem remains, contact your technical-service representative.
3. Turn off the system and disconnect it from power. Wait for 45 seconds. Reseat DIMM(s). Reconnect it to power.
4. Make sure that DSA and BIOS/uEFI are at the latest level.

Date Message Added: 09/04/2012

Reviewed: 09/04/2012

201-845-003 Standalone Memory Test Aborted

Explanation: Chipset Error: Problem clearing MSR machine check control registers.

Internal Event: No

Severity: Warning

Serviceable: No

Recoverable: No

Automatically notify Support: No

User response: Complete the following steps:

1. Perform the actions mentioned one at a time and try the test after each action.
2. If the problem remains, contact your technical-service representative.
3. Turn off the system and disconnect it from power. Wait for 45 seconds. Reseat DIMM(s). Reconnect it to power.
4. Make sure that DSA and BIOS/uEFI are at the latest level.

Date Message Added: 09/04/2012

Reviewed: 09/04/2012

201-859-000 Standalone Memory Test Aborted

Explanation: INVALID XSECSRAT type.

Internal Event: No

Severity: Warning

Serviceable: No

Recoverable: No

Automatically notify Support: No

User response: Complete the following steps:

1. Perform the actions mentioned one at a time and try the test after each action.
2. If the problem remains, contact your technical-service representative.
3. Turn off the system and disconnect it from power. Wait for 45 seconds. Reseat DIMM(s). Reconnect it to power.
4. Make sure that DSA and BIOS/uEFI are at the latest level.

Date Message Added: 09/04/2012

Reviewed: 09/04/2012

201-859-001 Standalone Memory Test Aborted

Explanation: INVALID XSECSRAT type.

Internal Event: No

Severity: Warning

Serviceable: No

Recoverable: No

Automatically notify Support: No

User response: Complete the following steps:

1. Perform the actions mentioned one at a time and try the test after each action.
2. If the problem remains, contact your technical-service representative.
3. Turn off the system and disconnect it from power. Wait for 45 seconds. Reseat DIMM(s). Reconnect it to power.
4. Make sure that DSA and BIOS/uEFI are at the latest level.

Date Message Added: 09/04/2012

Reviewed: 09/04/2012

201-859-002 Standalone Memory Test Aborted

Explanation: INVALID XSECSRAT type.

Internal Event: No

Severity: Warning

Serviceable: No

Recoverable: No

Automatically notify Support: No

User response: Complete the following steps:

1. Perform the actions mentioned one at a time and try the test after each action.
2. If the problem remains, contact your technical-service representative.
3. Turn off the system and disconnect it from power. Wait for 45 seconds. Reseat DIMM(s). Reconnect it to power.
4. Make sure that DSA and BIOS/uEFI are at the latest level.

Date Message Added: 09/04/2012

Reviewed: 09/04/2012

201-859-003 Standalone Memory Test Aborted

Explanation: INVALID XSECSRAT type.

Internal Event: No

Severity: Warning

Serviceable: No

Recoverable: No**Automatically notify Support:** No**User response:** Complete the following steps:

1. Perform the actions mentioned one at a time and try the test after each action.
2. If the problem remains, contact your technical-service representative.
3. Turn off the system and disconnect it from power. Wait for 45 seconds. Reseat DIMM(s). Reconnect it to power.
4. Make sure that DSA and BIOS/uEFI are at the latest level.

Date Message Added: 09/04/2012**Reviewed:** 09/04/2012**201-860-000 Standalone Memory Test Aborted****Explanation:** No OEM0 type 1 found.**Internal Event:** No**Severity:** Warning**Serviceable:** No**Recoverable:** No**Automatically notify Support:** No**User response:** Complete the following steps:

1. Perform the actions mentioned one at a time and try the test after each action.
2. If the problem remains, contact your technical-service representative.
3. Turn off the system and disconnect it from power. Wait for 45 seconds. Reseat DIMM(s). Reconnect it to power.
4. Make sure that DSA and BIOS/uEFI are at the latest level.

Date Message Added: 09/04/2012**Reviewed:** 09/04/2012**201-860-001 Standalone Memory Test Aborted****Explanation:** No OEM0 type 1 found.**Internal Event:** No**Severity:** Warning**Serviceable:** No**Recoverable:** No**Automatically notify Support:** No**User response:** Complete the following steps:

1. Perform the actions mentioned one at a time and try the test after each action.

2. If the problem remains, contact your technical-service representative.
3. Turn off the system and disconnect it from power. Wait for 45 seconds. Reseat DIMM(s). Reconnect it to power.
4. Make sure that DSA and BIOS/uEFI are at the latest level.

Date Message Added: 09/04/2012**Reviewed:** 09/04/2012**201-860-002 Standalone Memory Test Aborted****Explanation:** No OEM0 type 1 found.**Internal Event:** No**Severity:** Warning**Serviceable:** No**Recoverable:** No**Automatically notify Support:** No**User response:** Complete the following steps:

1. Perform the actions mentioned one at a time and try the test after each action.
2. If the problem remains, contact your technical-service representative.
3. Turn off the system and disconnect it from power. Wait for 45 seconds. Reseat DIMM(s). Reconnect it to power.
4. Make sure that DSA and BIOS/uEFI are at the latest level.

Date Message Added: 09/04/2012**Reviewed:** 09/04/2012**201-860-003 Standalone Memory Test Aborted****Explanation:** No OEM0 type 1 found.**Internal Event:** No**Severity:** Warning**Serviceable:** No**Recoverable:** No**Automatically notify Support:** No**User response:** Complete the following steps:

1. Perform the actions mentioned one at a time and try the test after each action.
2. If the problem remains, contact your technical-service representative.
3. Turn off the system and disconnect it from power. Wait for 45 seconds. Reseat DIMM(s). Reconnect it to power.
4. Make sure that DSA and BIOS/uEFI are at the latest level.

201-861-000 • 201-862-000

Date Message Added: 09/04/2012

Reviewed: 09/04/2012

201-861-000 Standalone Memory Test Aborted

Explanation: No SRAT type 1 found.

Internal Event: No

Severity: Warning

Serviceable: No

Recoverable: No

Automatically notify Support: No

User response: Complete the following steps:

1. Perform the actions mentioned one at a time and try the test after each action.
2. If the problem remains, contact your technical-service representative.
3. Turn off the system and disconnect it from power. Wait for 45 seconds. Reseat DIMM(s). Reconnect it to power.
4. Make sure that DSA and BIOS/uEFI are at the latest level.

Date Message Added: 09/04/2012

Reviewed: 09/04/2012

201-861-001 Standalone Memory Test Aborted

Explanation: No SRAT type 1 found.

Internal Event: No

Severity: Warning

Serviceable: No

Recoverable: No

Automatically notify Support: No

User response: Complete the following steps:

1. Perform the actions mentioned one at a time and try the test after each action.
2. If the problem remains, contact your technical-service representative.
3. Turn off the system and disconnect it from power. Wait for 45 seconds. Reseat DIMM(s). Reconnect it to power.
4. Make sure that DSA and BIOS/uEFI are at the latest level.

Date Message Added: 09/04/2012

Reviewed: 09/04/2012

201-861-002 Standalone Memory Test Aborted

Explanation: No SRAT type 1 found.

Internal Event: No

Severity: Warning

Serviceable: No

Recoverable: No

Automatically notify Support: No

User response: Complete the following steps:

1. Perform the actions mentioned one at a time and try the test after each action.
2. If the problem remains, contact your technical-service representative.
3. Turn off the system and disconnect it from power. Wait for 45 seconds. Reseat DIMM(s). Reconnect it to power.
4. Make sure that DSA and BIOS/uEFI are at the latest level.

Date Message Added: 09/04/2012

Reviewed: 09/04/2012

201-861-003 Standalone Memory Test Aborted

Explanation: No SRAT type 1 found.

Internal Event: No

Severity: Warning

Serviceable: No

Recoverable: No

Automatically notify Support: No

User response: Complete the following steps:

1. Perform the actions mentioned one at a time and try the test after each action.
2. If the problem remains, contact your technical-service representative.
3. Turn off the system and disconnect it from power. Wait for 45 seconds. Reseat DIMM(s). Reconnect it to power.
4. Make sure that DSA and BIOS/uEFI are at the latest level.

Date Message Added: 09/04/2012

Reviewed: 09/04/2012

201-862-000 Standalone Memory Test Aborted

Explanation: No OEM1 structure found.

Internal Event: No

Severity: Warning

Serviceable: No

Recoverable: No**Automatically notify Support:** No**User response:** Complete the following steps:

1. Perform the actions mentioned one at a time and try the test after each action.
2. If the problem remains, contact your technical-service representative.
3. Turn off the system and disconnect it from power. Wait for 45 seconds. Reseat DIMM(s). Reconnect it to power.
4. Make sure that DSA and BIOS/uEFI are at the latest level.

Date Message Added: 09/04/2012**Reviewed:** 09/04/2012**201-862-001 Standalone Memory Test Aborted****Explanation:** No OEM1 structure found.**Internal Event:** No**Severity:** Warning**Serviceable:** No**Recoverable:** No**Automatically notify Support:** No**User response:** Complete the following steps:

1. Perform the actions mentioned one at a time and try the test after each action.
2. If the problem remains, contact your technical-service representative.
3. Turn off the system and disconnect it from power. Wait for 45 seconds. Reseat DIMM(s). Reconnect it to power.
4. Make sure that DSA and BIOS/uEFI are at the latest level.

Date Message Added: 09/04/2012**Reviewed:** 09/04/2012**201-862-002 Standalone Memory Test Aborted****Explanation:** No OEM1 structure found.**Internal Event:** No**Severity:** Warning**Serviceable:** No**Recoverable:** No**Automatically notify Support:** No**User response:** Complete the following steps:

1. Perform the actions mentioned one at a time and try the test after each action.

2. If the problem remains, contact your technical-service representative.
3. Turn off the system and disconnect it from power. Wait for 45 seconds. Reseat DIMM(s). Reconnect it to power.
4. Make sure that DSA and BIOS/uEFI are at the latest level.

Date Message Added: 09/04/2012**Reviewed:** 09/04/2012**201-862-003 Standalone Memory Test Aborted****Explanation:** No OEM1 structure found.**Internal Event:** No**Severity:** Warning**Serviceable:** No**Recoverable:** No**Automatically notify Support:** No**User response:** Complete the following steps:

1. Perform the actions mentioned one at a time and try the test after each action.
2. If the problem remains, contact your technical-service representative.
3. Turn off the system and disconnect it from power. Wait for 45 seconds. Reseat DIMM(s). Reconnect it to power.
4. Make sure that DSA and BIOS/uEFI are at the latest level.

Date Message Added: 09/04/2012**Reviewed:** 09/04/2012**201-863-000 Standalone Memory Test Aborted****Explanation:** No IBMERROR key in OEM1 structure.**Internal Event:** No**Severity:** Warning**Serviceable:** No**Recoverable:** No**Automatically notify Support:** No**User response:** Complete the following steps:

1. Perform the actions mentioned one at a time and try the test after each action.
2. If the problem remains, contact your technical-service representative.
3. Turn off the system and disconnect it from power. Wait for 45 seconds. Reseat DIMM(s). Reconnect it to power.
4. Make sure that DSA and BIOS/uEFI are at the latest level.

201-863-001 • 201-864-001

Date Message Added: 09/04/2012

Reviewed: 09/04/2012

201-863-001 Standalone Memory Test Aborted

Explanation: No IBMERROR key in OEM1 structure.

Internal Event: No

Severity: Warning

Serviceable: No

Recoverable: No

Automatically notify Support: No

User response: Complete the following steps:

1. Perform the actions mentioned one at a time and try the test after each action.
2. If the problem remains, contact your technical-service representative.
3. Turn off the system and disconnect it from power. Wait for 45 seconds. Reseat DIMM(s). Reconnect it to power.
4. Make sure that DSA and BIOS/uEFI are at the latest level.

Date Message Added: 09/04/2012

Reviewed: 09/04/2012

201-863-002 Standalone Memory Test Aborted

Explanation: No IBMERROR key in OEM1 structure.

Internal Event: No

Severity: Warning

Serviceable: No

Recoverable: No

Automatically notify Support: No

User response: Complete the following steps:

1. Perform the actions mentioned one at a time and try the test after each action.
2. If the problem remains, contact your technical-service representative.
3. Turn off the system and disconnect it from power. Wait for 45 seconds. Reseat DIMM(s). Reconnect it to power.
4. Make sure that DSA and BIOS/uEFI are at the latest level.

Date Message Added: 09/04/2012

Reviewed: 09/04/2012

201-863-003 Standalone Memory Test Aborted

Explanation: No IBMERROR key in OEM1 structure.

Internal Event: No

Severity: Warning

Serviceable: No

Recoverable: No

Automatically notify Support: No

User response: Complete the following steps:

1. Perform the actions mentioned one at a time and try the test after each action.
2. If the problem remains, contact your technical-service representative.
3. Turn off the system and disconnect it from power. Wait for 45 seconds. Reseat DIMM(s). Reconnect it to power.
4. Make sure that DSA and BIOS/uEFI are at the latest level.

Date Message Added: 09/04/2012

Reviewed: 09/04/2012

201-864-000 Standalone Memory Test Aborted

Explanation: No GAS located in OEM1.

Internal Event: No

Severity: Warning

Serviceable: No

Recoverable: No

Automatically notify Support: No

User response: Complete the following steps:

1. Perform the actions mentioned one at a time and try the test after each action.
2. If the problem remains, contact your technical-service representative.
3. Turn off the system and disconnect it from power. Wait for 45 seconds. Reseat DIMM(s). Reconnect it to power.
4. Make sure that DSA and BIOS/uEFI are at the latest level.

Date Message Added: 09/04/2012

Reviewed: 09/04/2012

201-864-001 Standalone Memory Test Aborted

Explanation: No GAS located in OEM1.

Internal Event: No

Severity: Warning

Serviceable: No

Recoverable: No**Automatically notify Support:** No**User response:** Complete the following steps:

1. Perform the actions mentioned one at a time and try the test after each action.
2. If the problem remains, contact your technical-service representative.
3. Turn off the system and disconnect it from power. Wait for 45 seconds. Reseat DIMM(s). Reconnect it to power.
4. Make sure that DSA and BIOS/uEFI are at the latest level.

Date Message Added: 09/04/2012**Reviewed:** 09/04/2012**201-864-002 Standalone Memory Test Aborted****Explanation:** No GAS located in OEM1.**Internal Event:** No**Severity:** Warning**Serviceable:** No**Recoverable:** No**Automatically notify Support:** No**User response:** Complete the following steps:

1. Perform the actions mentioned one at a time and try the test after each action.
2. If the problem remains, contact your technical-service representative.
3. Turn off the system and disconnect it from power. Wait for 45 seconds. Reseat DIMM(s). Reconnect it to power.
4. Make sure that DSA and BIOS/uEFI are at the latest level.

Date Message Added: 09/04/2012**Reviewed:** 09/04/2012**201-864-003 Standalone Memory Test Aborted****Explanation:** No GAS located in OEM1.**Internal Event:** No**Severity:** Warning**Serviceable:** No**Recoverable:** No**Automatically notify Support:** No**User response:** Complete the following steps:

1. Perform the actions mentioned one at a time and try the test after each action.

2. If the problem remains, contact your technical-service representative.
3. Turn off the system and disconnect it from power. Wait for 45 seconds. Reseat DIMM(s). Reconnect it to power.
4. Make sure that DSA and BIOS/uEFI are at the latest level.

Date Message Added: 09/04/2012**Reviewed:** 09/04/2012**201-865-000 Standalone Memory Test Aborted****Explanation:** No XSECSRAT key in OEM0 structure.**Internal Event:** No**Severity:** Warning**Serviceable:** No**Recoverable:** No**Automatically notify Support:** No**User response:** Complete the following steps:

1. Perform the actions mentioned one at a time and try the test after each action.
2. If the problem remains, contact your technical-service representative.
3. Turn off the system and disconnect it from power. Wait for 45 seconds. Reseat DIMM(s). Reconnect it to power.
4. Make sure that DSA and BIOS/uEFI are at the latest level.

Date Message Added: 09/04/2012**Reviewed:** 09/04/2012**201-865-001 Standalone Memory Test Aborted****Explanation:** No XSECSRAT key in OEM0 structure.**Internal Event:** No**Severity:** Warning**Serviceable:** No**Recoverable:** No**Automatically notify Support:** No**User response:** Complete the following steps:

1. Perform the actions mentioned one at a time and try the test after each action.
2. If the problem remains, contact your technical-service representative.
3. Turn off the system and disconnect it from power. Wait for 45 seconds. Reseat DIMM(s). Reconnect it to power.
4. Make sure that DSA and BIOS/uEFI are at the latest level.

201-865-002 • 201-866-002

Date Message Added: 09/04/2012

Reviewed: 09/04/2012

201-865-002 Standalone Memory Test Aborted

Explanation: No XSECSRAT key in OEM0 structure.

Internal Event: No

Severity: Warning

Serviceable: No

Recoverable: No

Automatically notify Support: No

User response: Complete the following steps:

1. Perform the actions mentioned one at a time and try the test after each action.
2. If the problem remains, contact your technical-service representative.
3. Turn off the system and disconnect it from power. Wait for 45 seconds. Reseat DIMM(s). Reconnect it to power.
4. Make sure that DSA and BIOS/uEFI are at the latest level.

Date Message Added: 09/04/2012

Reviewed: 09/04/2012

201-865-003 Standalone Memory Test Aborted

Explanation: No XSECSRAT key in OEM0 structure.

Internal Event: No

Severity: Warning

Serviceable: No

Recoverable: No

Automatically notify Support: No

User response: Complete the following steps:

1. Perform the actions mentioned one at a time and try the test after each action.
2. If the problem remains, contact your technical-service representative.
3. Turn off the system and disconnect it from power. Wait for 45 seconds. Reseat DIMM(s). Reconnect it to power.
4. Make sure that DSA and BIOS/uEFI are at the latest level.

Date Message Added: 09/04/2012

Reviewed: 09/04/2012

201-866-000 Standalone Memory Test Aborted

Explanation: EFI-SAL Invalid parameter from GetMemoryMap function.

Internal Event: No

Severity: Warning

Serviceable: No

Recoverable: No

Automatically notify Support: No

User response: Complete the following steps:

1. Perform the actions mentioned one at a time and try the test after each action.
2. If the problem remains, contact your technical-service representative.
3. Turn off the system and disconnect it from power. Wait for 45 seconds. Reseat DIMM(s). Reconnect it to power.
4. Make sure that DSA and BIOS/uEFI are at the latest level.

Date Message Added: 09/04/2012

Reviewed: 09/04/2012

201-866-001 Standalone Memory Test Aborted

Explanation: EFI-SAL Invalid parameter from GetMemoryMap function.

Internal Event: No

Severity: Warning

Serviceable: No

Recoverable: No

Automatically notify Support: No

User response: Complete the following steps:

1. Perform the actions mentioned one at a time and try the test after each action.
2. If the problem remains, contact your technical-service representative.
3. Turn off the system and disconnect it from power. Wait for 45 seconds. Reseat DIMM(s). Reconnect it to power.
4. Make sure that DSA and BIOS/uEFI are at the latest level.

Date Message Added: 09/04/2012

Reviewed: 09/04/2012

201-866-002 Standalone Memory Test Aborted

Explanation: EFI-SAL Invalid parameter from GetMemoryMap function.

Internal Event: No

Severity: Warning**Serviceable:** No**Recoverable:** No**Automatically notify Support:** No**User response:** Complete the following steps:

1. Perform the actions mentioned one at a time and try the test after each action.
2. If the problem remains, contact your technical-service representative.
3. Turn off the system and disconnect it from power. Wait for 45 seconds. Reseat DIMM(s). Reconnect it to power.
4. Make sure that DSA and BIOS/uEFI are at the latest level.

Date Message Added: 09/04/2012**Reviewed:** 09/04/2012**201-866-003 Standalone Memory Test Aborted****Explanation:** EFI-SAL Invalid parameter from GetMemoryMap function.**Internal Event:** No**Severity:** Warning**Serviceable:** No**Recoverable:** No**Automatically notify Support:** No**User response:** Complete the following steps:

1. Perform the actions mentioned one at a time and try the test after each action.
2. If the problem remains, contact your technical-service representative.
3. Turn off the system and disconnect it from power. Wait for 45 seconds. Reseat DIMM(s). Reconnect it to power.
4. Make sure that DSA and BIOS/uEFI are at the latest level.

Date Message Added: 09/04/2012**Reviewed:** 09/04/2012**201-867-000 Standalone Memory Test Aborted****Explanation:** EFI/SAL: Buffer not allocated.**Internal Event:** No**Severity:** Warning**Serviceable:** No**Recoverable:** No**Automatically notify Support:** No**User response:** Complete the following steps:

1. Perform the actions mentioned one at a time and try the test after each action.
2. If the problem remains, contact your technical-service representative.
3. Turn off the system and disconnect it from power. Wait for 45 seconds. Reseat DIMM(s). Reconnect it to power.
4. Make sure that DSA and BIOS/uEFI are at the latest level.

Date Message Added: 09/04/2012**Reviewed:** 09/04/2012**201-867-001 Standalone Memory Test Aborted****Explanation:** EFI/SAL: Buffer not allocated.**Internal Event:** No**Severity:** Warning**Serviceable:** No**Recoverable:** No**Automatically notify Support:** No**User response:** Complete the following steps:

1. Perform the actions mentioned one at a time and try the test after each action.
2. If the problem remains, contact your technical-service representative.
3. Turn off the system and disconnect it from power. Wait for 45 seconds. Reseat DIMM(s). Reconnect it to power.
4. Make sure that DSA and BIOS/uEFI are at the latest level.

Date Message Added: 09/04/2012**Reviewed:** 09/04/2012**201-867-002 Standalone Memory Test Aborted****Explanation:** EFI/SAL: Buffer not allocated.**Internal Event:** No**Severity:** Warning**Serviceable:** No**Recoverable:** No**Automatically notify Support:** No**User response:** Complete the following steps:

1. Perform the actions mentioned one at a time and try the test after each action.
2. If the problem remains, contact your technical-service representative.
3. Turn off the system and disconnect it from power. Wait for 45 seconds. Reseat DIMM(s). Reconnect it to power.

201-867-003 • 201-868-003

4. Make sure that DSA and BIOS/uEFI are at the latest level.

Date Message Added: 09/04/2012

Reviewed: 09/04/2012

201-867-003 Standalone Memory Test Aborted

Explanation: EFI/SAL: Buffer not allocated.

Internal Event: No

Severity: Warning

Serviceable: No

Recoverable: No

Automatically notify Support: No

User response: Complete the following steps:

1. Perform the actions mentioned one at a time and try the test after each action.
2. If the problem remains, contact your technical-service representative.
3. Turn off the system and disconnect it from power. Wait for 45 seconds. Reseat DIMM(s). Reconnect it to power.
4. Make sure that DSA and BIOS/uEFI are at the latest level.

Date Message Added: 09/04/2012

Reviewed: 09/04/2012

201-868-000 Standalone Memory Test Aborted

Explanation: EFI/SAL: Buffer allocated in GetMemoryMap too small.

Internal Event: No

Severity: Warning

Serviceable: No

Recoverable: No

Automatically notify Support: No

User response: Complete the following steps:

1. Perform the actions mentioned one at a time and try the test after each action.
2. If the problem remains, contact your technical-service representative.
3. Turn off the system and disconnect it from power. Wait for 45 seconds. Reseat DIMM(s). Reconnect it to power.
4. Make sure that DSA and BIOS/uEFI are at the latest level.

Date Message Added: 09/04/2012

Reviewed: 09/04/2012

201-868-001 Standalone Memory Test Aborted

Explanation: EFI/SAL: Buffer allocated in GetMemoryMap too small.

Internal Event: No

Severity: Warning

Serviceable: No

Recoverable: No

Automatically notify Support: No

User response: Complete the following steps:

1. Perform the actions mentioned one at a time and try the test after each action.
2. If the problem remains, contact your technical-service representative.
3. Turn off the system and disconnect it from power. Wait for 45 seconds. Reseat DIMM(s). Reconnect it to power.
4. Make sure that DSA and BIOS/uEFI are at the latest level.

Date Message Added: 09/04/2012

Reviewed: 09/04/2012

201-868-002 Standalone Memory Test Aborted

Explanation: EFI/SAL: Buffer allocated in GetMemoryMap too small.

Internal Event: No

Severity: Warning

Serviceable: No

Recoverable: No

Automatically notify Support: No

User response: Complete the following steps:

1. Perform the actions mentioned one at a time and try the test after each action.
2. If the problem remains, contact your technical-service representative.
3. Turn off the system and disconnect it from power. Wait for 45 seconds. Reseat DIMM(s). Reconnect it to power.
4. Make sure that DSA and BIOS/uEFI are at the latest level.

Date Message Added: 09/04/2012

Reviewed: 09/04/2012

201-868-003 Standalone Memory Test Aborted

Explanation: EFI/SAL: Buffer allocated in GetMemoryMap too small.

Internal Event: No

Severity: Warning**Serviceable:** No**Recoverable:** No**Automatically notify Support:** No**User response:** Complete the following steps:

1. Perform the actions mentioned one at a time and try the test after each action.
2. If the problem remains, contact your technical-service representative.
3. Turn off the system and disconnect it from power. Wait for 45 seconds. Reseat DIMM(s). Reconnect it to power.
4. Make sure that DSA and BIOS/uEFI are at the latest level.

Date Message Added: 09/04/2012**Reviewed:** 09/04/2012**201-869-000 Standalone Memory Test Aborted****Explanation:** EFI/SAL Invalid parameter from GetMemoryMap function.**Internal Event:** No**Severity:** Warning**Serviceable:** No**Recoverable:** No**Automatically notify Support:** No**User response:** Complete the following steps:

1. Perform the actions mentioned one at a time and try the test after each action.
2. If the problem remains, contact your technical-service representative.
3. Turn off the system and disconnect it from power. Wait for 45 seconds. Reseat DIMM(s). Reconnect it to power.
4. Make sure that DSA and BIOS/uEFI are at the latest level.

Date Message Added: 09/04/2012**Reviewed:** 09/04/2012**201-869-001 Standalone Memory Test Aborted****Explanation:** EFI/SAL Invalid parameter from GetMemoryMap function.**Internal Event:** No**Severity:** Warning**Serviceable:** No**Recoverable:** No**Automatically notify Support:** No**User response:** Complete the following steps:

1. Perform the actions mentioned one at a time and try the test after each action.
2. If the problem remains, contact your technical-service representative.
3. Turn off the system and disconnect it from power. Wait for 45 seconds. Reseat DIMM(s). Reconnect it to power.
4. Make sure that DSA and BIOS/uEFI are at the latest level.

Date Message Added: 09/04/2012**Reviewed:** 09/04/2012**201-869-002 Standalone Memory Test Aborted****Explanation:** EFI/SAL Invalid parameter from GetMemoryMap function.**Internal Event:** No**Severity:** Warning**Serviceable:** No**Recoverable:** No**Automatically notify Support:** No**User response:** Complete the following steps:

1. Perform the actions mentioned one at a time and try the test after each action.
2. If the problem remains, contact your technical-service representative.
3. Turn off the system and disconnect it from power. Wait for 45 seconds. Reseat DIMM(s). Reconnect it to power.
4. Make sure that DSA and BIOS/uEFI are at the latest level.

Date Message Added: 09/04/2012**Reviewed:** 09/04/2012**201-869-003 Standalone Memory Test Aborted****Explanation:** EFI/SAL Invalid parameter from GetMemoryMap function.**Internal Event:** No**Severity:** Warning**Serviceable:** No**Recoverable:** No**Automatically notify Support:** No**User response:** Complete the following steps:

1. Perform the actions mentioned one at a time and try the test after each action.
2. If the problem remains, contact your technical-service representative.

201-870-000 • 201-871-000

3. Turn off the system and disconnect it from power. Wait for 45 seconds. Reseat DIMM(s). Reconnect it to power.
4. Make sure that DSA and BIOS/uEFI are at the latest level.

Date Message Added: 09/04/2012

Reviewed: 09/04/2012

201-870-000 Standalone Memory Test Aborted

Explanation: CPU Doamin in ACPI not valid.

Internal Event: No

Severity: Warning

Serviceable: No

Recoverable: No

Automatically notify Support: No

User response: Complete the following steps:

1. Perform the actions mentioned one at a time and try the test after each action.
2. If the problem remains, contact your technical-service representative.
3. Turn off the system and disconnect it from power. Wait for 45 seconds. Reseat DIMM(s). Reconnect it to power.
4. Make sure that DSA and BIOS/uEFI are at the latest level.

Date Message Added: 09/04/2012

Reviewed: 09/04/2012

201-870-001 Standalone Memory Test Aborted

Explanation: CPU Doamin in ACPI not valid.

Internal Event: No

Severity: Warning

Serviceable: No

Recoverable: No

Automatically notify Support: No

User response: Complete the following steps:

1. Perform the actions mentioned one at a time and try the test after each action.
2. If the problem remains, contact your technical-service representative.
3. Turn off the system and disconnect it from power. Wait for 45 seconds. Reseat DIMM(s). Reconnect it to power.
4. Make sure that DSA and BIOS/uEFI are at the latest level.

Date Message Added: 09/04/2012

Reviewed: 09/04/2012

201-870-002 Standalone Memory Test Aborted

Explanation: CPU Doamin in ACPI not valid.

Internal Event: No

Severity: Warning

Serviceable: No

Recoverable: No

Automatically notify Support: No

User response: Complete the following steps:

1. Perform the actions mentioned one at a time and try the test after each action.
2. If the problem remains, contact your technical-service representative.
3. Turn off the system and disconnect it from power. Wait for 45 seconds. Reseat DIMM(s). Reconnect it to power.
4. Make sure that DSA and BIOS/uEFI are at the latest level.

Date Message Added: 09/04/2012

Reviewed: 09/04/2012

201-870-003 Standalone Memory Test Aborted

Explanation: CPU Doamin in ACPI not valid.

Internal Event: No

Severity: Warning

Serviceable: No

Recoverable: No

Automatically notify Support: No

User response: Complete the following steps:

1. Perform the actions mentioned one at a time and try the test after each action.
2. If the problem remains, contact your technical-service representative.
3. Turn off the system and disconnect it from power. Wait for 45 seconds. Reseat DIMM(s). Reconnect it to power.
4. Make sure that DSA and BIOS/uEFI are at the latest level.

Date Message Added: 09/04/2012

Reviewed: 09/04/2012

201-871-000 Standalone Memory Test Aborted

Explanation: Data Mis-compare encountered.

Internal Event: No

Severity: Warning

Serviceable: No

Recoverable: No**Automatically notify Support:** No**User response:** Complete the following steps:

1. Perform the actions mentioned one at a time and try the test after each action.
2. If the problem remains, contact your technical-service representative.
3. Turn off the system and disconnect it from power. Wait for 45 seconds. Reseat DIMM(s). Reconnect it to power.
4. Make sure that DSA and BIOS/uEFI are at the latest level.

Date Message Added: 09/04/2012**Reviewed:** 09/04/2012**201-871-001 Standalone Memory Test Aborted****Explanation:** Data Mis-compare encountered.**Internal Event:** No**Severity:** Warning**Serviceable:** No**Recoverable:** No**Automatically notify Support:** No**User response:** Complete the following steps:

1. Perform the actions mentioned one at a time and try the test after each action.
2. If the problem remains, contact your technical-service representative.
3. Turn off the system and disconnect it from power. Wait for 45 seconds. Reseat DIMM(s). Reconnect it to power.
4. Make sure that DSA and BIOS/uEFI are at the latest level.

Date Message Added: 09/04/2012**Reviewed:** 09/04/2012**201-871-002 Standalone Memory Test Aborted****Explanation:** Data Mis-compare encountered.**Internal Event:** No**Severity:** Warning**Serviceable:** No**Recoverable:** No**Automatically notify Support:** No**User response:** Complete the following steps:

1. Perform the actions mentioned one at a time and try the test after each action.

2. If the problem remains, contact your technical-service representative.
3. Turn off the system and disconnect it from power. Wait for 45 seconds. Reseat DIMM(s). Reconnect it to power.
4. Make sure that DSA and BIOS/uEFI are at the latest level.

Date Message Added: 09/04/2012**Reviewed:** 09/04/2012**201-871-003 Standalone Memory Test Aborted****Explanation:** Data Mis-compare encountered.**Internal Event:** No**Severity:** Warning**Serviceable:** No**Recoverable:** No**Automatically notify Support:** No**User response:** Complete the following steps:

1. Perform the actions mentioned one at a time and try the test after each action.
2. If the problem remains, contact your technical-service representative.
3. Turn off the system and disconnect it from power. Wait for 45 seconds. Reseat DIMM(s). Reconnect it to power.
4. Make sure that DSA and BIOS/uEFI are at the latest level.

Date Message Added: 09/04/2012**Reviewed:** 09/04/2012**201-877-000 Standalone Memory Test Aborted****Explanation:** BIOS: Sparing in Extended PCI reg. must be OFF. Go to setup and disable sparing.**Internal Event:** No**Severity:** Warning**Serviceable:** No**Recoverable:** No**Automatically notify Support:** No**User response:** Complete the following steps:

1. Perform the actions mentioned one at a time and try the test after each action.
2. If the problem remains, contact your technical-service representative.
3. Turn off the system and disconnect it from power. Wait for 45 seconds. Reseat DIMM(s). Reconnect it to power.

201-877-001 • 201-878-001

4. Make sure that DSA and BIOS/uEFI are at the latest level.

Date Message Added: 09/04/2012

Reviewed: 09/04/2012

201-877-001 Standalone Memory Test Aborted

Explanation: BIOS: Sparing in Extended PCI reg. must be OFF. Go to setup and disable sparing.

Internal Event: No

Severity: Warning

Serviceable: No

Recoverable: No

Automatically notify Support: No

User response: Complete the following steps:

1. Perform the actions mentioned one at a time and try the test after each action.
2. If the problem remains, contact your technical-service representative.
3. Turn off the system and disconnect it from power. Wait for 45 seconds. Reseat DIMM(s). Reconnect it to power.
4. Make sure that DSA and BIOS/uEFI are at the latest level.

Date Message Added: 09/04/2012

Reviewed: 09/04/2012

201-877-002 Standalone Memory Test Aborted

Explanation: BIOS: Sparing in Extended PCI reg. must be OFF. Go to setup and disable sparing.

Internal Event: No

Severity: Warning

Serviceable: No

Recoverable: No

Automatically notify Support: No

User response: Complete the following steps:

1. Perform the actions mentioned one at a time and try the test after each action.
2. If the problem remains, contact your technical-service representative.
3. Turn off the system and disconnect it from power. Wait for 45 seconds. Reseat DIMM(s). Reconnect it to power.
4. Make sure that DSA and BIOS/uEFI are at the latest level.

Date Message Added: 09/04/2012

Reviewed: 09/04/2012

201-877-003 Standalone Memory Test Aborted

Explanation: BIOS: Sparing in Extended PCI reg. must be OFF. Go to setup and disable sparing.

Internal Event: No

Severity: Warning

Serviceable: No

Recoverable: No

Automatically notify Support: No

User response: Complete the following steps:

1. Perform the actions mentioned one at a time and try the test after each action.
2. If the problem remains, contact your technical-service representative.
3. Turn off the system and disconnect it from power. Wait for 45 seconds. Reseat DIMM(s). Reconnect it to power.
4. Make sure that DSA and BIOS/uEFI are at the latest level.

Date Message Added: 09/04/2012

Reviewed: 09/04/2012

201-878-000 Standalone Memory Test Aborted

Explanation: Sparing feature must be turned OFF. Go to setup and turn the sparing feature OFF.

Internal Event: No

Severity: Warning

Serviceable: No

Recoverable: No

Automatically notify Support: No

User response: Complete the following steps:

1. Perform the actions mentioned one at a time and try the test after each action.
2. If the problem remains, contact your technical-service representative.
3. Turn off the system and disconnect it from power. Wait for 45 seconds. Reseat DIMM(s). Reconnect it to power.
4. Make sure that DSA and BIOS/uEFI are at the latest level.

Date Message Added: 09/04/2012

Reviewed: 09/04/2012

201-878-001 Standalone Memory Test Aborted

Explanation: Sparing feature must be turned OFF. Go to setup and turn the sparing feature OFF.

Internal Event: No

Severity: Warning**Serviceable:** No**Recoverable:** No**Automatically notify Support:** No**User response:** Complete the following steps:

1. Perform the actions mentioned one at a time and try the test after each action.
2. If the problem remains, contact your technical-service representative.
3. Turn off the system and disconnect it from power. Wait for 45 seconds. Reseat DIMM(s). Reconnect it to power.
4. Make sure that DSA and BIOS/uEFI are at the latest level.

Date Message Added: 09/04/2012**Reviewed:** 09/04/2012**201-878-002 Standalone Memory Test Aborted****Explanation:** Sparing feature must be turned OFF. Go to setup and turn the sparing feature OFF.**Internal Event:** No**Severity:** Warning**Serviceable:** No**Recoverable:** No**Automatically notify Support:** No**User response:** Complete the following steps:

1. Perform the actions mentioned one at a time and try the test after each action.
2. If the problem remains, contact your technical-service representative.
3. Turn off the system and disconnect it from power. Wait for 45 seconds. Reseat DIMM(s). Reconnect it to power.
4. Make sure that DSA and BIOS/uEFI are at the latest level.

Date Message Added: 09/04/2012**Reviewed:** 09/04/2012**201-878-003 Standalone Memory Test Aborted****Explanation:** Sparing feature must be turned OFF. Go to setup and turn the sparing feature OFF.**Internal Event:** No**Severity:** Warning**Serviceable:** No**Recoverable:** No**Automatically notify Support:** No**User response:** Complete the following steps:

1. Perform the actions mentioned one at a time and try the test after each action.
2. If the problem remains, contact your technical-service representative.
3. Turn off the system and disconnect it from power. Wait for 45 seconds. Reseat DIMM(s). Reconnect it to power.
4. Make sure that DSA and BIOS/uEFI are at the latest level.

Date Message Added: 09/04/2012**Reviewed:** 09/04/2012**201-885-000 Standalone Memory Test Aborted****Explanation:** Processor does not support MTRR register manipulation. Can not write to memory without cache.**Internal Event:** No**Severity:** Warning**Serviceable:** No**Recoverable:** No**Automatically notify Support:** No**User response:** Complete the following steps:

1. Perform the actions mentioned one at a time and try the test after each action.
2. If the problem remains, contact your technical-service representative.
3. Turn off the system and disconnect it from power. Wait for 45 seconds. Reseat DIMM(s). Reconnect it to power.
4. Make sure that DSA and BIOS/uEFI are at the latest level.

Date Message Added: 09/04/2012**Reviewed:** 09/04/2012**201-885-001 Standalone Memory Test Aborted****Explanation:** Processor does not support MTRR register manipulation. Can not write to memory without cache.**Internal Event:** No**Severity:** Warning**Serviceable:** No**Recoverable:** No**Automatically notify Support:** No**User response:** Complete the following steps:

1. Perform the actions mentioned one at a time and try the test after each action.

201-885-002 • 201-886-001

2. If the problem remains, contact your technical-service representative.
3. Turn off the system and disconnect it from power. Wait for 45 seconds. Reseat DIMM(s). Reconnect it to power.
4. Make sure that DSA and BIOS/uEFI are at the latest level.

Date Message Added: 09/04/2012

Reviewed: 09/04/2012

201-885-002 Standalone Memory Test Aborted

Explanation: Processor does not support MTRR register manipulation. Can not write to memory without cache.

Internal Event: No

Severity: Warning

Serviceable: No

Recoverable: No

Automatically notify Support: No

User response: Complete the following steps:

1. Perform the actions mentioned one at a time and try the test after each action.
2. If the problem remains, contact your technical-service representative.
3. Turn off the system and disconnect it from power. Wait for 45 seconds. Reseat DIMM(s). Reconnect it to power.
4. Make sure that DSA and BIOS/uEFI are at the latest level.

Date Message Added: 09/04/2012

Reviewed: 09/04/2012

201-885-003 Standalone Memory Test Aborted

Explanation: Processor does not support MTRR register manipulation. Can not write to memory without cache.

Internal Event: No

Severity: Warning

Serviceable: No

Recoverable: No

Automatically notify Support: No

User response: Complete the following steps:

1. Perform the actions mentioned one at a time and try the test after each action.
2. If the problem remains, contact your technical-service representative.

3. Turn off the system and disconnect it from power. Wait for 45 seconds. Reseat DIMM(s). Reconnect it to power.
4. Make sure that DSA and BIOS/uEFI are at the latest level.

Date Message Added: 09/04/2012

Reviewed: 09/04/2012

201-886-000 Standalone Memory Test Aborted

Explanation: Memory Upper limit is less than 16 Mbytes.

Internal Event: No

Severity: Warning

Serviceable: No

Recoverable: No

Automatically notify Support: No

User response: Complete the following steps:

1. Perform the actions mentioned one at a time and try the test after each action.
2. If the problem remains, contact your technical-service representative.
3. Turn off the system and disconnect it from power. Wait for 45 seconds. Reseat DIMM(s). Reconnect it to power.
4. Make sure that DSA and BIOS/uEFI are at the latest level.

Date Message Added: 09/04/2012

Reviewed: 09/04/2012

201-886-001 Standalone Memory Test Aborted

Explanation: Memory Upper limit is less than 16 Mbytes.

Internal Event: No

Severity: Warning

Serviceable: No

Recoverable: No

Automatically notify Support: No

User response: Complete the following steps:

1. Perform the actions mentioned one at a time and try the test after each action.
2. If the problem remains, contact your technical-service representative.
3. Turn off the system and disconnect it from power. Wait for 45 seconds. Reseat DIMM(s). Reconnect it to power.
4. Make sure that DSA and BIOS/uEFI are at the latest level.

Date Message Added: 09/04/2012**Reviewed:** 09/04/2012

201-886-002 Standalone Memory Test Aborted**Explanation:** Memory Upper limit is less than 16 Mbytes.**Internal Event:** No**Severity:** Warning**Serviceable:** No**Recoverable:** No**Automatically notify Support:** No**User response:** Complete the following steps:

1. Perform the actions mentioned one at a time and try the test after each action.
2. If the problem remains, contact your technical-service representative.
3. Turn off the system and disconnect it from power. Wait for 45 seconds. Reseat DIMM(s). Reconnect it to power.
4. Make sure that DSA and BIOS/uEFI are at the latest level.

Date Message Added: 09/04/2012**Reviewed:** 09/04/2012

201-886-003 Standalone Memory Test Aborted**Explanation:** Memory Upper limit is less than 16 Mbytes.**Internal Event:** No**Severity:** Warning**Serviceable:** No**Recoverable:** No**Automatically notify Support:** No**User response:** Complete the following steps:

1. Perform the actions mentioned one at a time and try the test after each action.
2. If the problem remains, contact your technical-service representative.
3. Turn off the system and disconnect it from power. Wait for 45 seconds. Reseat DIMM(s). Reconnect it to power.
4. Make sure that DSA and BIOS/uEFI are at the latest level.

Date Message Added: 09/04/2012**Reviewed:** 09/04/2012

201-899-000 Standalone Memory Test Aborted**Explanation:** Memory Diagnostics Test Aborted by user.**Internal Event:** No**Severity:** Warning**Serviceable:** No**Recoverable:** No**Automatically notify Support:** No**Date Message Added:** 09/04/2012**Reviewed:** 09/04/2012

201-899-001 Standalone Memory Test Aborted**Explanation:** Memory Diagnostics Test Aborted by user.**Internal Event:** No**Severity:** Warning**Serviceable:** No**Recoverable:** No**Automatically notify Support:** No**Date Message Added:** 09/04/2012**Reviewed:** 09/04/2012

201-899-002 Standalone Memory Test Aborted**Explanation:** Memory Diagnostics Test Aborted by user.**Internal Event:** No**Severity:** Warning**Serviceable:** No**Recoverable:** No**Automatically notify Support:** No**Date Message Added:** 09/04/2012**Reviewed:** 09/04/2012

201-899-003 Standalone Memory Test Aborted**Explanation:** Memory Diagnostics Test Aborted by user.**Internal Event:** No**Severity:** Warning**Serviceable:** No**Recoverable:** No**Automatically notify Support:** No**Date Message Added:** 09/04/2012

Reviewed: 09/04/2012

201-901-000 Standalone Memory Test Failed

Explanation: Memory Diagnostics Test Failed.

Internal Event: No

Severity: Error

Serviceable: Yes

Recoverable: No

Automatically notify Support: No

User response: Complete the following steps:

1. Perform the actions mentioned one at a time and try the test after each action.
2. If the problem remains, contact your technical-service representative.
3. Turn off the system and disconnect it from power. Wait for 45 seconds. Reseat DIMM(s). Reconnect it to power.
4. Make sure that DSA and BIOS/uEFI are at the latest level.
5. Replace any DIMMS(s) mentioned in error, one by one.
6. Make sure that all DIMMs are enabled in the Configuration/Setup Utility program.
7. If failure remains, refer to "Troubleshooting by symptom" in the system "Installation and Service Guide" for the next corrective action.

Date Message Added: 08/31/2012

Reviewed: 08/31/2012

201-901-001 Standalone Memory Test Failed

Explanation: Memory Diagnostics Test Failed.

Internal Event: No

Severity: Error

Serviceable: Yes

Recoverable: No

Automatically notify Support: No

User response: Complete the following steps:

1. Perform the actions mentioned one at a time and try the test after each action.
2. If the problem remains, contact your technical-service representative.
3. Turn off the system and disconnect it from power. Wait for 45 seconds. Reseat DIMM(s). Reconnect it to power.
4. Make sure that DSA and BIOS/uEFI are at the latest level.
5. Replace any DIMMS(s) mentioned in error, one by one.

6. Make sure that all DIMMs are enabled in the Configuration/Setup Utility program.
7. If failure remains, refer to "Troubleshooting by symptom" in the system "Installation and Service Guide" for the next corrective action.

Date Message Added: 08/31/2012

Reviewed: 08/31/2012

201-901-002 Standalone Memory Test Failed

Explanation: Memory Diagnostics Test Failed.

Internal Event: No

Severity: Error

Serviceable: Yes

Recoverable: No

Automatically notify Support: No

User response: Complete the following steps:

1. Perform the actions mentioned one at a time and try the test after each action.
2. If the problem remains, contact your technical-service representative.
3. Turn off the system and disconnect it from power. Wait for 45 seconds. Reseat DIMM(s). Reconnect it to power.
4. Make sure that DSA and BIOS/uEFI are at the latest level.
5. Replace any DIMMS(s) mentioned in error, one by one.
6. Make sure that all DIMMs are enabled in the Configuration/Setup Utility program.
7. If failure remains, refer to "Troubleshooting by symptom" in the system "Installation and Service Guide" for the next corrective action.

Date Message Added: 08/31/2012

Reviewed: 08/31/2012

201-901-003 Standalone Memory Test Failed

Explanation: Memory Diagnostics Test Failed.

Internal Event: No

Severity: Error

Serviceable: Yes

Recoverable: No

Automatically notify Support: No

User response: Complete the following steps:

1. Perform the actions mentioned one at a time and try the test after each action.
2. If the problem remains, contact your technical-service representative.

3. Turn off the system and disconnect it from power. Wait for 45 seconds. Reseat DIMM(s). Reconnect it to power.
4. Make sure that DSA and BIOS/uEFI are at the latest level.
5. Replace any DIMMS(s) mentioned in error, one by one.
6. Make sure that all DIMMs are enabled in the Configuration/Setup Utility program.
7. If failure remains, refer to "Troubleshooting by symptom" in the system "Installation and Service Guide" for the next corrective action.

Date Message Added: 08/31/2012

Reviewed: 08/31/2012

202-000-000 MemStr Test Passed

Explanation: Test Passed.

Internal Event: No

Severity: Event

Serviceable: No

Recoverable: No

Automatically notify Support: No

Date Message Added: 09/04/2012

Reviewed: 09/04/2012

202-801-000 MemStr Test Aborted

Explanation: Internal program error.

Internal Event: No

Severity: Warning

Serviceable: Yes

Recoverable: No

Automatically notify Support: No

User response: Complete the following steps:

1. Turn off and restart the system.
2. Make sure that the DSA Diagnostic code is at the latest level.
3. Run the test again.
4. If the system has stopped responding, turn off and restart the system.
5. Check the system firmware level and upgrade if necessary.
6. Run the memory diagnostic to identify the specific failing DIMM.
7. If the failure remains, refer to "Troubleshooting by symptom" in the system "Installation and Service Guide" for the next corrective action.

Date Message Added: 09/04/2012

Reviewed: 09/04/2012

202-802-000 MemStr Test Aborted

Explanation: Memory size is insufficient to run the test. At least 1 GB is required.

Internal Event: No

Severity: Warning

Serviceable: Yes

Recoverable: No

Automatically notify Support: No

Date Message Added: 09/04/2012

Reviewed: 09/04/2012

202-803-000 MemStr Test Aborted

Explanation: User pressed Ctrl-C.

Internal Event: No

Severity: Warning

Serviceable: Yes

Recoverable: No

Automatically notify Support: No

Date Message Added: 09/04/2012

Reviewed: 09/04/2012

202-901-000 MemStr Test Failed

Explanation: Test Failed.

Internal Event: No

Severity: Error

Serviceable: Yes

Recoverable: No

Automatically notify Support: No

User response: Complete the following steps:

1. Execute the standard DSA memory diagnostics to validate all memory.
2. Make sure that the DSA Diagnostic code is at the latest level.
3. Turn off the system and disconnect it from power.
4. Reseat the memory cards and DIMMs.
5. Reconnect the system to power and turn the system on.
6. Run the test again.
7. Execute the standard DSA memory diagnostics to validate all memory.
8. If the failure remains, refer to "Troubleshooting by symptom" in the system "Installation and Service Guide" for the next corrective action.

Date Message Added: 09/04/2012

Reviewed: 09/04/2012

202-902-000 MemStr Test Failed

Explanation: Memory size is insufficient to run the test.

Internal Event: No

Severity: Error

Serviceable: Yes

Recoverable: No

Automatically notify Support: No

User response: Complete the following steps:

1. Ensure that all memory is enabled by checking the "Available System Memory" in the "Resource Utilization" section of the DSA Diagnostic Event log.
2. If necessary, access the Configuration/Setup Utility program by pressing F1 during system boot and enable all memory.
3. Make sure that the DSA Diagnostic code is at the latest level.
4. Run the test again.
5. Execute the standard DSA memory diagnostics to validate all memory.
6. If the failure remains, refer to "Troubleshooting by symptom" in the system "Installation and Service Guide" for the next corrective action.

Date Message Added: 09/04/2012

Reviewed: 09/04/2012

409-000-000 NVIDIA User Diagnostic Test Passed

Explanation: NVIDIA User Diagnostic test passed.

Internal Event: No

Severity: Event

Serviceable: No

Recoverable: No

Automatically notify Support: No

Date Message Added: 10/26/2012

Reviewed: 10/26/2012

409-003-000 Nvidia::DiagnosticServiceProvider::Bandwidth Test Passed

Explanation: Nvidia GPU Bandwidth test passed.

Internal Event: No

Severity: Event

Serviceable: No

Recoverable: No

Automatically notify Support: No

Date Message Added: 09/03/2012

Reviewed: 09/03/2012

409-004-000 Nvidia::DiagnosticServiceProvider::Query Test Passed

Explanation: Nvidia GPU Query test passed.

Internal Event: No

Severity: Event

Serviceable: No

Recoverable: No

Automatically notify Support: No

Date Message Added: 09/03/2012

Reviewed: 09/03/2012

409-005-000 Nvidia::DiagnosticServiceProvider::Matrix Test Passed

Explanation: Nvidia GPU Matrix test passed.

Internal Event: No

Severity: Event

Serviceable: No

Recoverable: No

Automatically notify Support: No

Date Message Added: 09/03/2012

Reviewed: 09/03/2012

409-006-000 Nvidia::DiagnosticServiceProvider::Binomial Test Passed

Explanation: Nvidia GPU Binomial test passed.

Internal Event: No

Severity: Event

Serviceable: No

Recoverable: No

Automatically notify Support: No

Date Message Added: 09/03/2012

Reviewed: 09/03/2012

409-800-000 NVIDIA User Diagnostic Test Aborted

Explanation: NVIDIA User Diagnostic test was canceled.

Internal Event: No

Severity: Event

Serviceable: No
Recoverable: No
Automatically notify Support: No
Date Message Added: 10/26/2012
Reviewed: 10/26/2012

409-803-000 Nvidia::DiagnosticServiceProvider::Bandwidth Test Aborted

Explanation: Nvidia GPU Bandwidth test was canceled.

Internal Event: No

Severity: Warning

Serviceable: No

Recoverable: No

Automatically notify Support: No

Date Message Added: 09/03/2012

Reviewed: 09/03/2012

409-804-000 Nvidia::DiagnosticServiceProvider::Query Test Aborted

Explanation: Nvidia GPU Query test was canceled.

Internal Event: No

Severity: Warning

Serviceable: No

Recoverable: No

Automatically notify Support: No

Date Message Added: 09/03/2012

Reviewed: 09/03/2012

409-805-000 Nvidia::DiagnosticServiceProvider::Matrix Test Aborted

Explanation: Nvidia GPU Matrix test was canceled.

Internal Event: No

Severity: Warning

Serviceable: No

Recoverable: No

Automatically notify Support: No

Date Message Added: 09/03/2012

Reviewed: 09/03/2012

409-806-000 Nvidia::DiagnosticServiceProvider::Binomial Test Aborted

Explanation: Nvidia GPU Binomial test was canceled.

Internal Event: No

Severity: Warning

Serviceable: No

Recoverable: No

Automatically notify Support: No

Date Message Added: 09/03/2012

Reviewed: 09/03/2012

409-900-000 NVIDIA User Diagnostic Test Failed

Explanation: NVIDIA User Diagnostic Test Failed.

Internal Event: No

Severity: Event

Serviceable: Yes

Recoverable: No

Automatically notify Support: No

User response: Complete the following steps:

1. Verify that the GPU is seated in the PCIe slot correctly by reseating the GPU. Then power cycle the system.
2. Verify that the power connectors to the GPU are connected firmly. Then power cycle the system.
3. Run `nvidia-smi -q` In some cases this will report a poorly connected power cable.
4. Rerun the diagnostics, using the same GPU, on system that is known to be working. A variety of system issues can cause diagnostic failure.
5. If the problem remains, contact your IBM technical-support representative.

Date Message Added: 10/26/2012

Reviewed: 10/26/2012

409-903-000 Nvidia::DiagnosticServiceProvider::Bandwidth Test Failed

Explanation: Nvidia GPU Bandwidth Test Failed.

Internal Event: No

Severity: Error

Serviceable: Yes

Recoverable: No

Automatically notify Support: No

User response: Complete the following steps:

409-904-000 • 215-000-000

1. Verify that the GPU is seated in the PCIe slot correctly by reseating the GPU. Then power cycle the system.
2. Verify that the power connectors to the GPU are connected firmly. Then power cycle the system.
3. Run `nvidia-smi -q` In some cases this will report a poorly connected power cable.
4. Rerun the diagnostics, using the same GPU, on system that is known to be working. A variety of system issues can cause diagnostic failure.
5. If the problem remains, contact your IBM technical-support representative.

Date Message Added: 09/03/2012

Reviewed: 09/03/2012

409-904-000 Nvidia::DiagnosticServiceProvider::Query Test Failed

Explanation: Nvidia GPU Query Test Failed.

Internal Event: No

Severity: Error

Serviceable: Yes

Recoverable: No

Automatically notify Support: No

User response: Complete the following steps:

1. Verify that the GPU is seated in the PCIe slot correctly by reseating the GPU. Then power cycle the system.
2. Verify that the power connectors to the GPU are connected firmly. Then power cycle the system.
3. Run `nvidia-smi -q` In some cases this will report a poorly connected power cable.
4. Rerun the diagnostics, using the same GPU, on system that is known to be working. A variety of system issues can cause diagnostic failure.
5. If the problem remains, contact your IBM technical-support representative.

Date Message Added: 09/03/2012

Reviewed: 09/03/2012

409-905-000 Nvidia::DiagnosticServiceProvider::Matrix Test Failed

Explanation: Nvidia GPU Matrix Test Failed.

Internal Event: No

Severity: Error

Serviceable: Yes

Recoverable: No

Automatically notify Support: No

User response: Complete the following steps:

1. Verify that the GPU is seated in the PCIe slot correctly by reseating the GPU. Then power cycle the system.
2. Verify that the power connectors to the GPU are connected firmly. Then power cycle the system.
3. Run `nvidia-smi -q` In some cases this will report a poorly connected power cable.
4. Rerun the diagnostics, using the same GPU, on system that is known to be working. A variety of system issues can cause diagnostic failure.
5. If the problem remains, contact your IBM technical-support representative.

Date Message Added: 09/03/2012

Reviewed: 09/03/2012

409-906-000 Nvidia::DiagnosticServiceProvider::Binomial Test Failed

Explanation: Nvidia GPU Binomial Test Failed.

Internal Event: No

Severity: Error

Serviceable: Yes

Recoverable: No

Automatically notify Support: No

User response: Complete the following steps:

1. Verify that the GPU is seated in the PCIe slot correctly by reseating the GPU. Then power cycle the system.
2. Verify that the power connectors to the GPU are connected firmly. Then power cycle the system.
3. Run `nvidia-smi -q` In some cases this will report a poorly connected power cable.
4. Rerun the diagnostics, using the same GPU, on system that is known to be working. A variety of system issues can cause diagnostic failure.
5. If the problem remains, contact your IBM technical-support representative.

Date Message Added: 09/03/2012

Reviewed: 09/03/2012

215-000-000 Optical Drive Test Passed

Explanation: Optical Drive Test Passed.

Internal Event: No

Severity: Event

Serviceable: No

Recoverable: No

Automatically notify Support: No

Date Message Added: 08/13/2012

Reviewed: 08/13/2012

215-801-000 Optical Drive Test Aborted

Explanation: Optical Drive Test Aborted. Unable to communicate with driver.

Internal Event: No

Severity: Warning

Serviceable: Yes

Recoverable: No

Automatically notify Support: No

User response: Complete the following steps:

1. Make sure that the DSA Diagnostic code is at the latest level.
2. Run the test again.
3. Check the drive cabling for loose or broken connections at both ends or damage to the cable. Replace the cable if damage is present.
4. Run the test again.
5. Check system firmware level and upgrade if necessary. The installed firmware level can be found in the DSA Diagnostic Event Log within the Firmware/VPD section for this component.
6. Run the test again.

Date Message Added: 08/13/2012

Reviewed: 08/13/2012

215-802-000 Optical Drive Test Aborted

Explanation: Optical Drive Test Aborted. A read error was encountered.

Internal Event: No

Severity: Warning

Serviceable: Yes

Recoverable: No

Automatically notify Support: No

User response: Complete the following steps:

1. Insert a new CD or DVD into the drive and wait for 15 seconds for the media to be recognized. Rerun the test.
2. Check the drive cabling for loose or broken connections at both ends or damage to the cable. Replace the cable if damage is present.
3. Run the test again.
4. If failure remains, refer to "Troubleshooting by symptom" in the system "Installation and Service Guide" for the next corrective action.

Date Message Added: 08/13/2012

Reviewed: 08/13/2012

215-803-000 Optical Drive Test Failed

Explanation: Optical Drive Test Failed. Disk may be in use by the operating system.

Internal Event: No

Severity: Error

Serviceable: Yes

Recoverable: No

Automatically notify Support: No

User response: Complete the following steps:

1. Wait for the system activity to cease
2. Run the test again
3. Turn off and restart the system.
4. Run the test again.

Date Message Added: 08/13/2012

Reviewed: 08/13/2012

215-804-000 Optical Drive Test Aborted

Explanation: Optical Drive Test Aborted. The media tray is open.

Internal Event: No

Severity: Warning

Serviceable: Yes

Recoverable: No

Automatically notify Support: No

User response: Complete the following steps:

1. Close the media tray and wait for 15 seconds for the media to be recognized. Run the test again.
2. Insert a new CD or DVD into the drive and wait for 15 seconds for the media to be recognized. Rerun the test.
3. Check the drive cabling for loose or broken connections at both ends or damage to the cable. Replace the cable if damage is present.
4. Run the test again.
5. If failure remains, refer to "Troubleshooting by symptom" in the system "Installation and Service Guide" for the next corrective action.

Date Message Added: 08/13/2012

Reviewed: 08/13/2012

215-901-000 Optical Drive Test Aborted

Explanation: Optical Drive Test Aborted. Drive media is not detected.

Internal Event: No

Severity: Warning

Serviceable: Yes

Recoverable: No

Automatically notify Support: No

User response: Complete the following steps:

1. Insert a new CD or DVD into the drive and wait for 15 seconds for the media to be recognized. Rerun the test.
2. Check the drive cabling for loose or broken connections at both ends or damage to the cable. Replace the cable if damage is present.
3. Run the test again.
4. If failure remains, refer to "Troubleshooting by symptom" in the system "Installation and Service Guide" for the next corrective action.

Date Message Added: 08/13/2012

Reviewed: 08/13/2012

215-902-000 Optical Drive Test Failed

Explanation: Optical Drive Test Failed. Read miscompare.

Internal Event: No

Severity: Error

Serviceable: Yes

Recoverable: No

Automatically notify Support: No

User response: Complete the following steps:

1. Insert a new CD or DVD into the drive and wait for 15 seconds for the media to be recognized. Rerun the test.
2. Check the drive cabling for loose or broken connections at both ends or damage to the cable. Replace the cable if damage is present.
3. Run the test again.
4. If failure remains, refer to "Troubleshooting by symptom" in the system "Installation and Service Guide" for the next corrective action.

Date Message Added: 08/13/2012

Reviewed: 08/13/2012

215-903-000 Optical Drive Test Aborted

Explanation: Optical Drive Test Aborted. Could not access the device.

Internal Event: No

Severity: Warning

Serviceable: Yes

Recoverable: No

Automatically notify Support: No

User response: Complete the following steps:

1. Insert a new CD or DVD into the drive and wait for 15 seconds for the media to be recognized. Rerun the test.
2. Check the drive cabling for loose or broken connections at both ends or damage to the cable. Replace the cable if damage is present.
3. Run the test again.
4. Check system firmware level and upgrade if necessary. The installed firmware level can be found in the DSA Diagnostic Event Log within the Firmware/VPD section for this component.
5. Run the test again.
6. If failure remains, refer to "Troubleshooting by symptom" in the system "Installation and Service Guide" for the next corrective action.

Date Message Added: 08/13/2012

Reviewed: 08/13/2012

166-000-001 IMM I2C Test Passed

Explanation: IMM I2C Test Passed.

Internal Event: No

Severity: Event

Serviceable: No

Recoverable: No

Automatically notify Support: No

Date Message Added: 11/12/2013

Reviewed: 11/12/2013

166-801-001 IMM I2C Test Aborted

Explanation: IMM returned incorrect response length.

Internal Event: No

Severity: Warning

Serviceable: Yes

Recoverable: No

Automatically notify Support: No

User response: Perform the actions mentioned one at a time and try the test after each action:

1. Turn off the system and disconnect it from power. Wait for 45 seconds. Reconnect it to power.
2. Make sure that DSA and BMC/IMM are at the latest level.

Date Message Added: 11/12/2013

Reviewed: 11/12/2013

166-802-001 IMM I2C Test Aborted

Explanation: Test cannot be completed for unknown reason.

Internal Event: No

Severity: Warning

Serviceable: Yes

Recoverable: No

Automatically notify Support: No

User response: Perform the actions mentioned one at a time and try the test after each action:

1. Turn off the system and disconnect it from power. Wait for 45 seconds. Reconnect it to power.
2. Make sure that DSA and BMC/IMM are at the latest level.

Date Message Added: 11/12/2013

Reviewed: 11/12/2013

166-803-001 IMM I2C Test Aborted

Explanation: Node Busy. Try later.

Internal Event: No

Severity: Warning

Serviceable: Yes

Recoverable: No

Automatically notify Support: No

User response: Perform the actions mentioned one at a time and try the test after each action:

1. Turn off the system and disconnect it from power. Wait for 45 seconds. Reconnect it to power.
2. Make sure that DSA and BMC/IMM are at the latest level.

Date Message Added: 11/12/2013

Reviewed: 11/12/2013

166-804-001 IMM I2C Test Aborted

Explanation: Invalid Command.

Internal Event: No

Severity: Warning

Serviceable: Yes

Recoverable: No

Automatically notify Support: No

User response: Perform the actions mentioned one at a time and try the test after each action:

1. Turn off the system and disconnect it from power. Wait for 45 seconds. Reconnect it to power.

2. Make sure that DSA and BMC/IMM are at the latest level.

Date Message Added: 11/12/2013

Reviewed: 11/12/2013

166-805-001 IMM I2C Test Aborted

Explanation: Invalid Command for given LUN.

Internal Event: No

Severity: Warning

Serviceable: Yes

Recoverable: No

Automatically notify Support: No

User response: Perform the actions mentioned one at a time and try the test after each action:

1. Turn off the system and disconnect it from power. Wait for 45 seconds. Reconnect it to power.
2. Make sure that DSA and BMC/IMM are at the latest level.

Date Message Added: 11/12/2013

Reviewed: 11/12/2013

166-806-001 IMM I2C Test Aborted

Explanation: Timeout while processing command.

Internal Event: No

Severity: Warning

Serviceable: Yes

Recoverable: No

Automatically notify Support: No

User response: Perform the actions mentioned one at a time and try the test after each action:

1. Turn off the system and disconnect it from power. Wait for 45 seconds. Reconnect it to power.
2. Make sure that DSA and BMC/IMM are at the latest level.

Date Message Added: 11/12/2013

Reviewed: 11/12/2013

166-807-001 IMM I2C Test Aborted

Explanation: Out of space.

Internal Event: No

Severity: Warning

Serviceable: Yes

Recoverable: No

Automatically notify Support: No

User response: Perform the actions mentioned one at a time and try the test after each action:

1. Turn off the system and disconnect it from power.
Wait for 45 seconds. Reconnect it to power.
2. Make sure that DSA and BMC/IMM are at the latest level.

Date Message Added: 11/12/2013

Reviewed: 11/12/2013

166-808-001 IMM I2C Test Aborted

Explanation: Reservation Canceled or Invalid Reservation ID.

Internal Event: No

Severity: Warning

Serviceable: Yes

Recoverable: No

Automatically notify Support: No

User response: Perform the actions mentioned one at a time and try the test after each action:

1. Turn off the system and disconnect it from power.
Wait for 45 seconds. Reconnect it to power.
2. Make sure that DSA and BMC/IMM are at the latest level.

Date Message Added: 11/12/2013

Reviewed: 11/12/2013

166-809-001 IMM I2C Test Aborted

Explanation: Request data truncated.

Internal Event: No

Severity: Warning

Serviceable: Yes

Recoverable: No

Automatically notify Support: No

User response: Perform the actions mentioned one at a time and try the test after each action:

1. Turn off the system and disconnect it from power.
Wait for 45 seconds. Reconnect it to power.
2. Make sure that DSA and BMC/IMM are at the latest level.

Date Message Added: 11/12/2013

Reviewed: 11/12/2013

166-810-001 IMM I2C Test Aborted

Explanation: Request data length invalid.

Internal Event: No

Severity: Warning

Serviceable: Yes

Recoverable: No

Automatically notify Support: No

User response: Perform the actions mentioned one at a time and try the test after each action:

1. Turn off the system and disconnect it from power.
Wait for 45 seconds. Reconnect it to power.
2. Make sure that DSA and BMC/IMM are at the latest level.

Date Message Added: 11/12/2013

Reviewed: 11/12/2013

166-811-001 IMM I2C Test Aborted

Explanation: Request data field length limit exceeded.

Internal Event: No

Severity: Warning

Serviceable: Yes

Recoverable: No

Automatically notify Support: No

User response: Perform the actions mentioned one at a time and try the test after each action:

1. Turn off the system and disconnect it from power.
Wait for 45 seconds. Reconnect it to power.
2. Make sure that DSA and BMC/IMM are at the latest level.

Date Message Added: 11/12/2013

Reviewed: 11/12/2013

166-812-001 IMM I2C Test Aborted

Explanation: Parameter out of range.

Internal Event: No

Severity: Warning

Serviceable: Yes

Recoverable: No

Automatically notify Support: No

User response: Perform the actions mentioned one at a time and try the test after each action:

1. Turn off the system and disconnect it from power.
Wait for 45 seconds. Reconnect it to power.

2. Make sure that DSA and BMC/IMM are at the latest level.

Date Message Added: 11/12/2013

Reviewed: 11/12/2013

166-813-001 IMM I2C Test Aborted

Explanation: Cannot return number of requested data bytes.

Internal Event: No

Severity: Warning

Serviceable: Yes

Recoverable: No

Automatically notify Support: No

User response: Perform the actions mentioned one at a time and try the test after each action:

1. Turn off the system and disconnect it from power. Wait for 45 seconds. Reconnect it to power.
2. Make sure that DSA and BMC/IMM are at the latest level.

Date Message Added: 11/12/2013

Reviewed: 11/12/2013

166-814-001 IMM I2C Test Aborted

Explanation: Requested Sensor, data, or record not present.

Internal Event: No

Severity: Warning

Serviceable: Yes

Recoverable: No

Automatically notify Support: No

User response: Perform the actions mentioned one at a time and try the test after each action:

1. Turn off the system and disconnect it from power. Wait for 45 seconds. Reconnect it to power.
2. Make sure that DSA and BMC/IMM are at the latest level.

Date Message Added: 11/12/2013

Reviewed: 11/12/2013

166-815-001 IMM I2C Test Aborted

Explanation: Invalid data field in Request.

Internal Event: No

Severity: Warning

Serviceable: Yes

Recoverable: No

Automatically notify Support: No

User response: Perform the actions mentioned one at a time and try the test after each action:

1. Turn off the system and disconnect it from power. Wait for 45 seconds. Reconnect it to power.
2. Make sure that DSA and BMC/IMM are at the latest level.

Date Message Added: 11/12/2013

Reviewed: 11/12/2013

166-816-001 IMM I2C Test Aborted

Explanation: Command illegal for specified sensor or record type.

Internal Event: No

Severity: Warning

Serviceable: Yes

Recoverable: No

Automatically notify Support: No

User response: Perform the actions mentioned one at a time and try the test after each action:

1. Turn off the system and disconnect it from power. Wait for 45 seconds. Reconnect it to power.
2. Make sure that DSA and BMC/IMM are at the latest level.

Date Message Added: 11/12/2013

Reviewed: 11/12/2013

166-817-001 IMM I2C Test Aborted

Explanation: Command response could not be provided.

Internal Event: No

Severity: Warning

Serviceable: Yes

Recoverable: No

Automatically notify Support: No

User response: Perform the actions mentioned one at a time and try the test after each action:

1. Turn off the system and disconnect it from power. Wait for 45 seconds. Reconnect it to power.
2. Make sure that DSA and BMC/IMM are at the latest level.

Date Message Added: 11/12/2013

Reviewed: 11/12/2013

166-818-001 IMM I2C Test Aborted

Explanation: Cannot execute duplicated request.

Internal Event: No

Severity: Warning

Serviceable: Yes

Recoverable: No

Automatically notify Support: No

User response: Perform the actions mentioned one at a time and try the test after each action:

1. Turn off the system and disconnect it from power. Wait for 45 seconds. Reconnect it to power.
2. Make sure that DSA and BMC/IMM are at the latest level.

Date Message Added: 11/12/2013

Reviewed: 11/12/2013

166-819-001 IMM I2C Test Aborted

Explanation: Command response could not be provided. SDR Repository in?update mode.

Internal Event: No

Severity: Warning

Serviceable: Yes

Recoverable: No

Automatically notify Support: No

User response: Perform the actions mentioned one at a time and try the test after each action:

1. Turn off the system and disconnect it from power. Wait for 45 seconds. Reconnect it to power.
2. Make sure that DSA and BMC/IMM are at the latest level.

Date Message Added: 11/12/2013

Reviewed: 11/12/2013

166-820-001 IMM I2C Test Aborted

Explanation: Command response could not be provided. Device in firmware update mode.

Internal Event: No

Severity: Warning

Serviceable: Yes

Recoverable: No

Automatically notify Support: No

User response: Perform the actions mentioned one at a time and try the test after each action:

1. Turn off the system and disconnect it from power. Wait for 45 seconds. Reconnect it to power.

2. Make sure that DSA and BMC/IMM are at the latest level.

Date Message Added: 11/12/2013

Reviewed: 11/12/2013

166-821-001 IMM I2C Test Aborted

Explanation: Command response could not be provided. BMC initialization in progress.

Internal Event: No

Severity: Warning

Serviceable: Yes

Recoverable: No

Automatically notify Support: No

User response: Perform the actions mentioned one at a time and try the test after each action:

1. Turn off the system and disconnect it from power. Wait for 45 seconds. Reconnect it to power.
2. Make sure that DSA and BMC/IMM are at the latest level.

Date Message Added: 11/12/2013

Reviewed: 11/12/2013

166-822-001 IMM I2C Test Aborted

Explanation: Destination unavailable.

Internal Event: No

Severity: Warning

Serviceable: Yes

Recoverable: No

Automatically notify Support: No

User response: Perform the actions mentioned one at a time and try the test after each action:

1. Turn off the system and disconnect it from power. Wait for 45 seconds. Reconnect it to power.
2. Make sure that DSA and BMC/IMM are at the latest level.

Date Message Added: 11/12/2013

Reviewed: 11/12/2013

166-823-001 IMM I2C Test Aborted

Explanation: Cannot execute command. Insufficient privilege level.

Internal Event: No

Severity: Warning

Serviceable: Yes

Recoverable: No

Automatically notify Support: No

User response: Perform the actions mentioned one at a time and try the test after each action:

1. Turn off the system and disconnect it from power. Wait for 45 seconds. Reconnect it to power.
2. Make sure that DSA and BMC/IMM are at the latest level.

Date Message Added: 11/12/2013

Reviewed: 11/12/2013

166-824-001 IMM I2C Test Aborted

Explanation: Cannot execute command.

Internal Event: No

Severity: Warning

Serviceable: Yes

Recoverable: No

Automatically notify Support: No

User response: Perform the actions mentioned one at a time and try the test after each action:

1. Turn off the system and disconnect it from power. Wait for 45 seconds. Reconnect it to power.
2. Make sure that DSA and BMC/IMM are at the latest level.

Date Message Added: 11/12/2013

Reviewed: 11/12/2013

166-901-001 IMM I2C Test Failed

Explanation: IMM Indicates failure in Private bus (BUS 0).

Internal Event: No

Severity: Error

Serviceable: Yes

Recoverable: No

Automatically notify Support: No

User response: Perform the actions mentioned one at a time and try the test after each action:

1. Turn off the system and disconnect it from power. Wait for 45 seconds. Reconnect it to power.
2. Make sure that DSA and BMC/IMM are at the latest level.
3. Run the test again.
4. If failure remains, refer to "Troubleshooting by symptom" in the system "Installation and Service Guide" for the next corrective action.

Date Message Added: 11/12/2013

Reviewed: 11/12/2013

166-904-001 IMM I2C Test Failed

Explanation: IMM Indicates failure in LED bus (BUS 3).

Internal Event: No

Severity: Error

Serviceable: Yes

Recoverable: No

Automatically notify Support: No

User response: Perform the actions mentioned one at a time and try the test after each action:

1. Turn off the system and disconnect it from power. Wait for 45 seconds. Reconnect it to power.
2. Make sure that DSA and BMC/IMM are at the latest level.
3. Run the test again.
4. If failure remains, refer to "Troubleshooting by symptom" in the system "Installation and Service Guide" for the next corrective action.

Date Message Added: 11/12/2013

Reviewed: 11/12/2013

166-905-001 IMM I2C Test Failed

Explanation: IMM Indicates failure in Power Supply bus (BUS 4).

Internal Event: No

Severity: Error

Serviceable: Yes

Recoverable: No

Automatically notify Support: No

User response: Perform the actions mentioned one at a time and try the test after each action:

1. Turn off the system and disconnect it from power. Wait for 45 seconds. Reconnect it to power.
2. Make sure that DSA and BMC/IMM are at the latest level.
3. Run the test again.
4. If failure remains, refer to "Troubleshooting by symptom" in the system "Installation and Service Guide" for the next corrective action.

Date Message Added: 11/12/2013

Reviewed: 11/12/2013

166-906-001 IMM I2C Test Failed

Explanation: IMM Indicates failure in in PCH bus (BUS 5).

Internal Event: No

Severity: Error

Serviceable: Yes

Recoverable: No

Automatically notify Support: No

User response: Perform the actions mentioned one at a time and try the test after each action:

1. Turn off the system and disconnect it from power. Wait for 45 seconds. Reconnect it to power.
2. Make sure that DSA and BMC/IMM are at the latest level.
3. Run the test again.
4. If failure remains, refer to "Troubleshooting by symptom" in the system "Installation and Service Guide" for the next corrective action.

Date Message Added: 11/12/2013

Reviewed: 11/12/2013

166-907-001 IMM I2C Test Failed

Explanation: IMM Indicates failure in Ambient Temperature Sensor bus (BUS 6).

Internal Event: No

Severity: Error

Serviceable: Yes

Recoverable: No

Automatically notify Support: No

User response: Perform the actions mentioned one at a time and try the test after each action:

1. Turn off the system and disconnect it from power. Wait for 45 seconds. Reconnect it to power.
2. Make sure that DSA and BMC/IMM are at the latest level.
3. Run the test again.
4. If failure remains, refer to "Troubleshooting by symptom" in the system "Installation and Service Guide" for the next corrective action.

Date Message Added: 11/12/2013

Reviewed: 11/12/2013

264-000-000 Tape Test Passed

Explanation: Tape Test Passed.

Internal Event: No

Severity: Event

Serviceable: No

Recoverable: No

Automatically notify Support: No

Date Message Added: 08/15/2012

Reviewed: 08/15/2012

264-901-000 Tape Test Failed

Explanation: An error was found in the tape alert log.

Internal Event: No

Severity: Error

Serviceable: Yes

Recoverable: No

Automatically notify Support: No

User response: Complete the following steps:

1. Clean the tape drive using the appropriate cleaning media and install new media.
2. Run the test again.
3. Clear the error log.
4. Run the test again.
5. Make sure that the drive firmware is at the latest level.
6. Rerun the test after upgrading to the latest firmware level.
7. If the failure remains, refer to "Troubleshooting by symptom" in the system "Installation and Service Guide" for the next corrective action.

Date Message Added: 08/15/2012

Reviewed: 08/29/2012

264-902-000 Tape Test Failed

Explanation: Tape Test Failed. Media is not detected.

Internal Event: No

Severity: Error

Serviceable: Yes

Recoverable: No

Automatically notify Support: No

User response: Complete the following steps:

1. Clean the tape drive using the appropriate cleaning media and install new media.
2. Run the test again.
3. Make sure that the drive firmware is at the latest level.
4. Rerun the test after upgrading to the latest firmware level.
5. If the failure remains, refer to "Troubleshooting by symptom" in the system "Installation and Service Guide" for the next corrective action.

Date Message Added: 08/15/2012

Reviewed: 08/29/2012

264-903-000 Tape Test Failed**Explanation:** Tape Test Failed. Media is not detected.**Internal Event:** No**Severity:** Error**Serviceable:** Yes**Recoverable:** No**Automatically notify Support:** No**User response:** Complete the following steps:

1. Clean the tape drive using the appropriate cleaning media and install new media.
2. Run the test again.
3. Make sure that the drive firmware is at the latest level.
4. Rerun the test after upgrading to the latest firmware level.
5. If the failure remains, refer to "Troubleshooting by symptom" in the system "Installation and Service Guide" for the next corrective action.

Date Message Added: 08/15/2012**Reviewed:** 08/29/2012

264-904-000 Tape Test Failed**Explanation:** Tape Test Failed. Drive hardware error.**Internal Event:** No**Severity:** Error**Serviceable:** Yes**Recoverable:** No**Automatically notify Support:** No**User response:** Complete the following steps:

1. Check the tape drive cabling for loose or broken connections or damage to the cable. Replace the cable if damage is present.
2. Clean the tape drive using the appropriate cleaning media and install new media.
3. Run the test again.
4. Make sure that the drive firmware is at the latest level.
5. Rerun the test after upgrading to the latest firmware level.
6. If the failure remains, refer to "Troubleshooting by symptom" in the system "Installation and Service Guide" for the next corrective action.

Date Message Added: 08/15/2012**Reviewed:** 08/29/2012

264-905-000 Tape Test Failed**Explanation:** Tape Test Failed. Software error: invalid request.**Internal Event:** No**Severity:** Error**Serviceable:** Yes**Recoverable:** No**Automatically notify Support:** No**User response:** Complete the following steps:

1. If the system has stopped responding, turn off and restart the system.
2. Check the system firmware level and upgrade if necessary. The installed firmware level can be found in the DSA Diagnostic Event Log within the Firmware/VPD section for this component.
3. Run the test again.
4. If the system has stopped responding, turn off and restart the system.
5. Make sure that the drive firmware is at the latest level.
6. Run the test again.
7. If the failure remains, refer to "Troubleshooting by symptom" in the system "Installation and Service Guide" for the next corrective action.

Date Message Added: 08/15/2012**Reviewed:** 08/29/2012

264-906-000 Tape Test Failed**Explanation:** Tape Test Failed. Unrecognized error.**Internal Event:** No**Severity:** Error**Serviceable:** Yes**Recoverable:** No**Automatically notify Support:** No**User response:** Complete the following steps:

1. Clean the tape drive using the appropriate cleaning media and install new media.
2. Run the test again.
3. Make sure that the drive firmware is at the latest level.
4. Rerun the test after upgrading to the latest firmware level.
5. Make sure that the DSA Diagnostic code is at the latest level.
6. Run the test again.
7. Check the system firmware level and upgrade if necessary.

8. Run the test again.
9. If the failure remains, refer to "Troubleshooting by symptom" in the system "Installation and Service Guide" for the next corrective action.

Date Message Added: 08/15/2012

Reviewed: 08/29/2012

264-907-000 Tape Test Failed

Explanation: An error was found in the block address somewhere.

Internal Event: No

Severity: Error

Serviceable: Yes

Recoverable: No

Automatically notify Support: No

User response: Complete the following steps:

1. Clean the tape drive using the appropriate cleaning media and install new media.

Date Message Added: 08/15/2012

Reviewed: 08/15/2012

264-908-000 Tape Test Failed

Explanation: An error was found in getting tape capacity.

Internal Event: No

Severity: Error

Serviceable: Yes

Recoverable: No

Automatically notify Support: No

User response: Complete the following steps:

1. Make sure that medium is present.
2. Clean the tape drive using the appropriate cleaning media and install new media.

Date Message Added: 08/15/2012

Reviewed: 08/15/2012

Recovering the server firmware

Important: Some cluster solutions require specific code levels or coordinated code updates. If the device is part of a cluster solution, verify that the latest level of code is supported for the cluster solution before you update the code.

If the server firmware has become corrupted, such as from a power failure during an update, you can recover the server firmware in the following way:

- **In-band method:** Recover server firmware, using either the boot block jumper (Automated Boot Recovery) and a server Firmware Update Package Service Pack.

Note: You can obtain a server update package from one of the following sources:

- Download the server firmware update from the World Wide Web.
- Contact your IBM service representative.

To download the server firmware update package from the World Wide Web, complete the following steps:

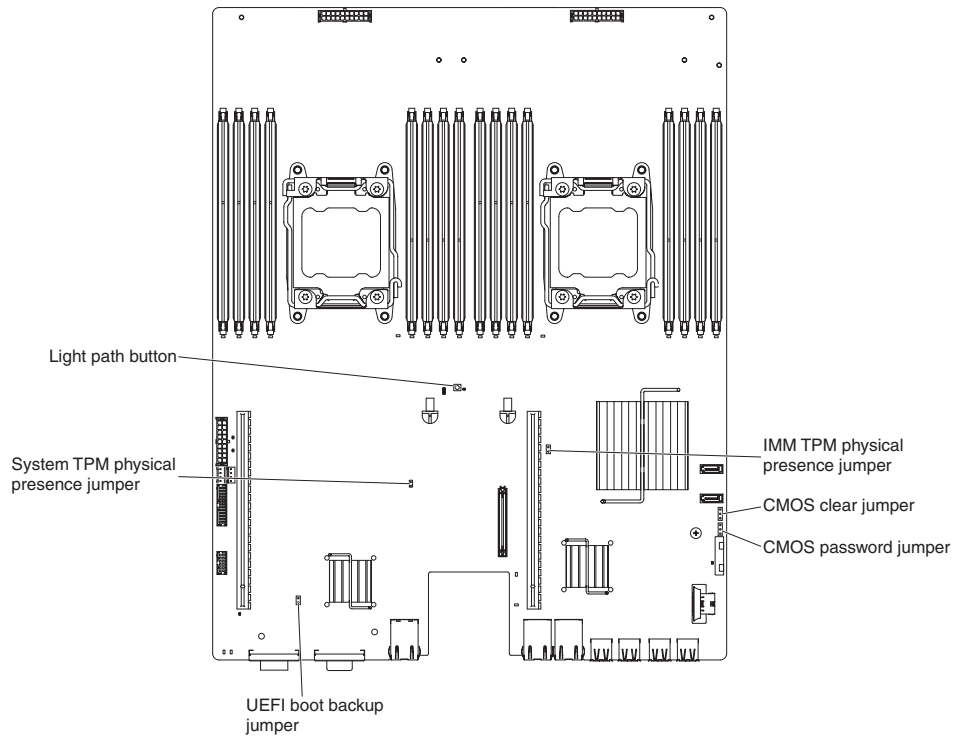
1. Go to <http://www.ibm.com/supportportal/>.
2. Under **Product support**, click **System x**.
3. Under **Popular links**, select **Software and device drivers**.
4. From the **Product family** menu, select **System dx360 M4** to display the matrix of downloadable files for the server.
5. Download the latest server firmware update and the update tool UXSPI.

The flash memory of the server consists of a primary bank and a backup bank. It is essential that you maintain the backup bank with a bootable firmware image. If the primary bank becomes corrupted, you can either manually boot the backup bank with the boot block jumper, or in the case of image corruption, this will occur automatically with the Automated Boot Recovery function.

In-band manual recovery method

To recover the server firmware and restore the server operation to the primary bank, complete the following steps:

1. Read the safety information that begins on page vii and “Installation guidelines” on page 277.
2. Turn off the server, and disconnect all power cords and external cables.
3. Remove the server cover (see “Removing the system-board tray cover” on page 282).
4. Locate the UEFI boot backup jumper block (JP3) on the system board.



5. Move the jumper (JP3) from pins 1 and 2 to pins 2 and 3 to enable the UEFI recovery mode.
6. Reinstall the server cover; then, reconnect all power cords.
7. Restart the server. The system begins the power-on self-test (POST).
8. Boot the server to an operating system that is supported by the firmware update package that you downloaded.
9. Perform the firmware update by following the instructions that are in the firmware update package readme file.
10. Turn off the server and disconnect all power cords and external cables, and then remove the server top cover (see “Removing the system-board tray cover” on page 282).
11. Move the BIOS boot backup jumper (JP3) from pins 2 and 3 back to the primary position (pins 1 and 2).
12. Reinstall the server top cover (see “Installing the system-board tray cover” on page 282).
13. Reconnect the power cord and any cables that you removed.
14. Restart the server. The system begins the power-on self-test (POST). If this does not recover the primary bank, continue with the following steps.
15. Remove the server top cover (see “Removing the system-board tray cover” on page 282).
16. Reset the CMOS by removing the system battery (see “Removing the system battery” on page 292).
17. Leave the system battery out of the server for approximately 5 to 15 minutes.
18. Reinstall the system battery (see “Installing the system battery” on page 294).
19. Reinstall the server top cover (see “Installing the system-board tray cover” on page 282).
20. Reconnect the power cord and any cables that you removed.
21. Restart the server. The system begins the power-on self-test (POST).

22. If these recovery efforts fail, contact your IBM service support representative for support.

In-band automated boot recovery method

Note: Use this method if the BOARD LED on the light path diagnostics panel is lit and there is a log entry or Booting Backup Image is displayed on the firmware splash screen; otherwise, use the in-band manual recovery method.

1. Boot the server to an operating system that is supported by the firmware update package that you downloaded.
2. Perform the firmware update by following the instructions that are in the firmware update package readme file.
3. Restart the server.
4. At the firmware splash screen, press F3 when prompted to restore to the primary bank. The server boots from the primary bank.

Automated boot recovery (ABR)

While the server is starting, if the integrated management module detects problems with the server firmware in the primary bank, the server automatically switches to the backup firmware bank and gives you the opportunity to recover the firmware in the primary bank. For instructions for recovering the UEFI firmware, see “Recovering the server firmware” on page 255. After you have recovered the firmware in the primary bank, complete the following steps:

1. Restart the server.
2. When the prompt Press F3 to restore to primary is displayed, press F3 to start the server from the primary bank.

Nx boot failure

Configuration changes, such as added devices or adapter firmware updates, and firmware or application code problems can cause the server to fail POST (the power-on self-test). If this occurs, the server responds in either of the following ways:

- The server restarts automatically and attempts POST again.
- The server hangs, and you must manually restart the server for the server to attempt POST again.

After a specified number of consecutive attempts (automatic or manual), the Nx boot failure feature causes the server to revert to the default UEFI configuration and start the Setup utility so that you can make the necessary corrections to the configuration and restart the server. If the server is unable to successfully complete POST with the default configuration, there might be a problem with the system board.

To specify the number of consecutive restart attempts that will trigger the Nx boot failure feature, in the Setup utility, click **Settings > POST Attempt Limit**. The available options are 3, 6, 9, and 255 (disable Nx boot failure).

Solving power problems

Power problems can be difficult to solve. For example, a short circuit can exist anywhere on any of the power distribution buses. Usually, a short circuit will cause the power subsystem to shut down because of an overcurrent condition. To diagnose a power problem, use the following general procedure:

1. Turn off the server and disconnect all ac power cords.
2. Check for loose cables in the power subsystem. Also check for short circuits, for example, if a loose screw is causing a short circuit on a circuit board.
3. If the check log LED on the light path diagnostics panel is lit, check the IMM2 event log for faulty Pwr rail and complete the following steps. Table 5 identifies the components that are associated with each Pwr rail and the order in which to troubleshoot the components.
 - a. Disconnect the cables and power cords to all internal and external devices. Leave the power-supply cords connected.
 - b. For Pwr rail 1 error, complete the following steps:
 - 1) (Trained technician only) Replace the system board.
 - 2) (Trained technician only) Replace the microprocessor.
 - c. For other rail errors (Pwr rail 1 error, see the step above), remove each component that is associated with the faulty Pwr rail, one at a time, in the sequence indicated in Table 5, restarting the server each time, until the cause of the overcurrent condition is identified.

Table 5. Components associated with power rail error

Pwr rail error in the IMM2 event log	Components
Pwr rail 1 error	Microprocessor 1
Pwr rail 2 error	Microprocessor 2
Pwr rail 3 error	Optional adapter if one is installed in PCI riser-card assembly 1, PCI riser-card assembly 1, the ServeRAID SAS/SATA adapter, and DIMMs 1 through 6
Pwr rail 4 error	Optional PCI adapter power cable if one is installed, fan 1, fan 2, hard disk drives, and DIMMs 7 through 12
Pwr rail 5 error	Optional DVD drive if one is installed, fan 3, fan 4, hard disk drives, DIMMs 13 through 18
Pwr rail 6 error	Optional adapter if one is installed in PCI riser-card assembly 2, PCI riser-card assembly 2, optional dual-port network adapter if one is installed, fan 5, fan 6, DIMMs 19 through 24

- d. Replace the identified component.
4. Remove the adapters and disconnect the cables and power cords to all internal and external devices until the server is at the minimum configuration that is required for the server to start (see "Power-supply LEDs" on page 190 for the minimum configuration).
5. Reconnect all ac power cords and turn on the server. If the server starts successfully, reseat the adapters and devices one at a time until the problem is isolated.

If the server does not start from the minimum configuration, see “Power-supply LEDs” on page 190 to replace the components in the minimum configuration one at a time until the problem is isolated.

Solving Ethernet controller problems

The method that you use to test the Ethernet controller depends on which operating system you are using. See the operating-system documentation for information about Ethernet controllers, and see the Ethernet controller device-driver readme file.

Try the following procedures:

- Make sure that the correct device drivers, which come with the server are installed and that they are at the latest level.
- Make sure that the Ethernet cable is installed correctly.
 - The cable must be securely attached at all connections. If the cable is attached but the problem remains, try a different cable.
 - If you set the Ethernet controller to operate at 100 Mbps, you must use Category 5 cabling.
 - If you directly connect two servers (without a hub), or if you are not using a hub with X ports, use a crossover cable. To determine whether a hub has an X port, check the port label. If the label contains an X, the hub has an X port.
- Determine whether the hub supports auto-negotiation. If it does not, try configuring the integrated Ethernet controller manually to match the speed and duplex mode of the hub.
- Check the Ethernet controller LEDs on the rear panel of the server. These LEDs indicate whether there is a problem with the connector, cable, or hub.
 - The Ethernet link status LED is lit when the Ethernet controller receives a link pulse from the hub. If the LED is off, there might be a defective connector or cable or a problem with the hub.
 - The Ethernet transmit/receive activity LED is lit when the Ethernet controller sends or receives data over the Ethernet network. If the Ethernet transmit/receive activity is off, make sure that the hub and network are operating and that the correct device drivers are installed.
- Check the LAN activity LED on the rear of the server. The LAN activity LED is lit when data is active on the Ethernet network. If the LAN activity LED is off, make sure that the hub and network are operating and that the correct device drivers are installed.
- Check for operating-system-specific causes of the problem.
- Make sure that the device drivers on the client and server are using the same protocol.

If the Ethernet controller still cannot connect to the network but the hardware appears to be working, the network administrator must investigate other possible causes of the error.

Solving undetermined problems

If the diagnostic tests did not diagnose the failure or if the server is inoperative, use the information in this section.

If you suspect that a software problem is causing failures (continuous or intermittent), see “Software problems” on page 189.

Damaged data in CMOS memory or damaged server firmware can cause undetermined problems. To reset the CMOS data, use the CMOS jumper to clear the CMOS memory and override the power-on password; see “System-board

switches and jumpers” on page 14. If you suspect that the server firmware is damaged, see “Recovering the server firmware” on page 255.

If the power supplies are working correctly, complete the following steps:

1. Turn off the server.
2. Make sure that the server is cabled correctly.
3. Remove or disconnect the following devices, one at a time, until you find the failure. Turn on the server and reconfigure it each time.
 - Any external devices.
 - Surge-suppressor device (on the server).
 - Printer, mouse, and non-IBM devices.
 - Each adapter.
 - Hard disk drives.
 - Memory modules. The minimum configuration requirement is 2 GB DIMM in slot 3.
4. Turn on the server.

If the problem is solved when you remove an adapter from the server but the problem recurs when you reinstall the same adapter, suspect the adapter; if the problem recurs when you replace the adapter with a different one, suspect the riser card.

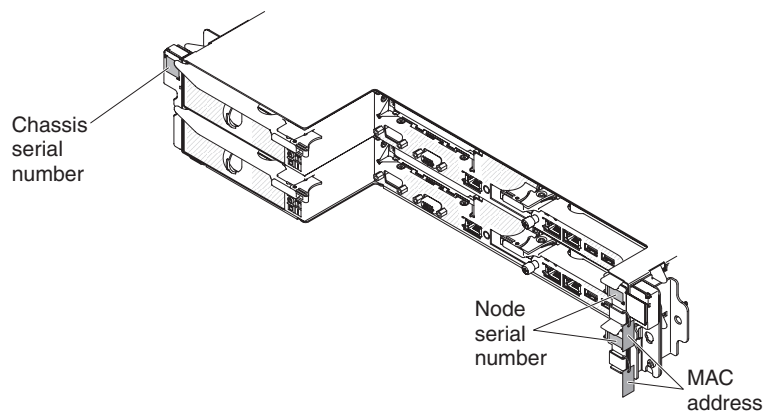
If you suspect a networking problem and the server passes all the system tests, suspect a network cabling problem that is external to the server.

Problem determination tips

Because of the variety of hardware and software combinations that can encounter, use the following information to assist you in problem determination. If possible, have this information available when requesting assistance from IBM.

The model number and serial number are located on the ID label on the front of the server as shown in the following illustration.

Note: The illustrations in this document might differ slightly from your hardware.



- Machine type and model
- Microprocessor or hard disk drive upgrades
- Failure symptom
 - Does the server fail the diagnostic tests?
 - What occurs? When? Where?
 - Does the failure occur on a single server or on multiple servers?

- Is the failure repeatable?
- Has this configuration ever worked?
- What changes, if any, were made before the configuration failed?
- Is this the original reported failure?
- Diagnostic program type and version level
- Hardware configuration (print screen of the system summary)
- IMM2 firmware level
- Operating system software

You can solve some problems by comparing the configuration and software setups between working and nonworking servers. When you compare servers to each other for diagnostic purposes, consider them identical only if all the following factors are exactly the same in all the servers:

- Machine type and model
- IMM2 firmware level
- Adapters and attachments, in the same locations
- Address jumpers, terminators, and cabling
- Software versions and levels
- Diagnostic program type and version level
- Configuration option settings
- Operating-system control-file setup

See Appendix A, “Getting help and technical assistance,” on page 367 for information about calling IBM for service.

Chapter 4. Parts listing, System x iDataPlex dx360 M4 Types 7912 and 7913

The following replaceable components are available for the dx360 M4 system-board tray, the 2U chassis, and the GPGPU enclosure, except as specified otherwise in “Customer replaceable units for dx360 M4 Type 7912 system-board tray.” To check for an updated parts listing on the web, go to <http://www.ibm.com/supportportal/>.

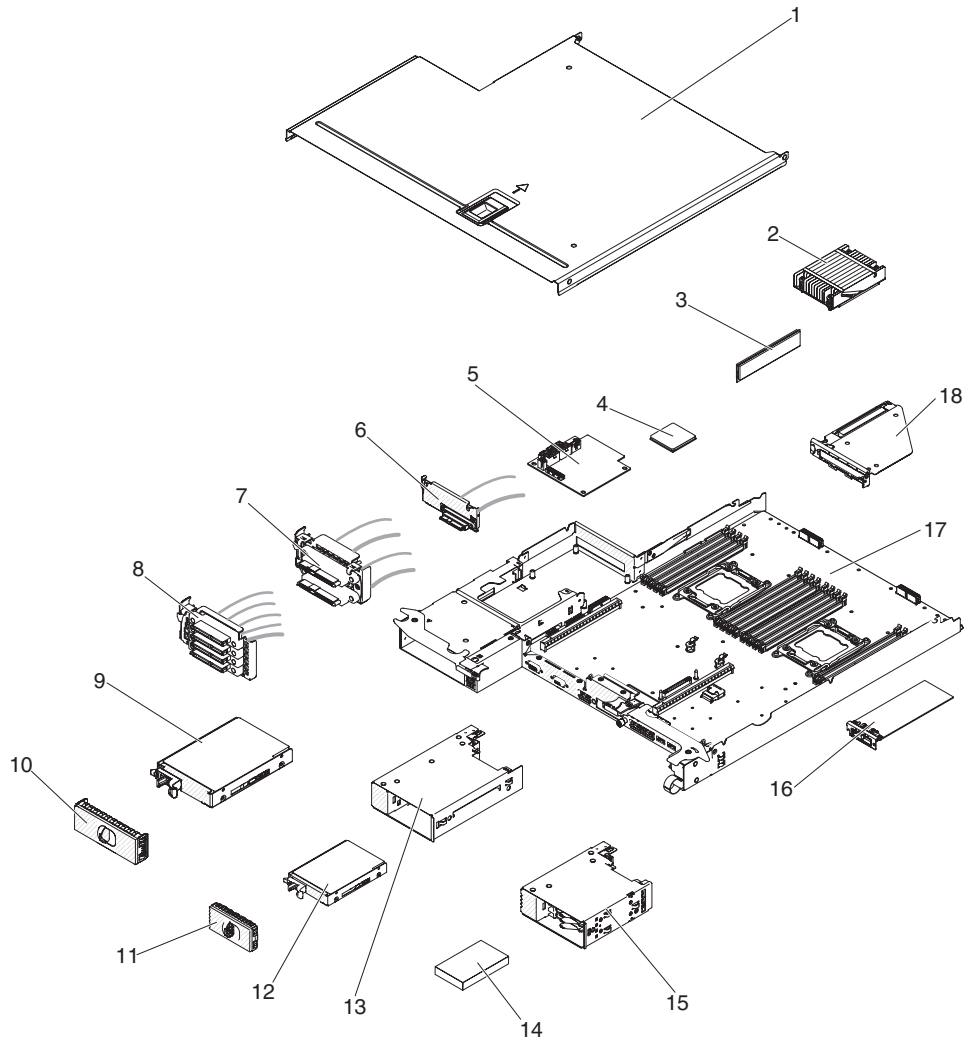
The types of replaceable components are:

- **Consumables:** Purchase and replacement of consumables (components, such as batteries and printer cartridges, that have depleting life) is your responsibility. If IBM acquires or installs a consumable component at your request, you will be charged for the service.
- **Structural parts:** Purchase and replacement of structural parts (components, such as chassis assembly, top cover, and bezel) is your responsibility. If IBM acquires or installs a structural component at your request, you will be charged for the service.
- **Tier 1 customer replaceable unit (CRU):** Replacement of Tier 1 CRUs is your responsibility. If IBM installs a Tier 1 CRU at your request, you will be charged for the installation.
- **Tier 2 customer replaceable unit:** You may install a Tier 2 CRU yourself or request IBM to install it, at no additional charge, under the type of warranty service that is designated for your server.

Customer replaceable units for dx360 M4 Type 7912 system-board tray

For information about the terms of the warranty, see the *Warranty Information* document that comes with the server.

The following illustration shows the major components in the server. The illustrations in this document might differ slightly from your hardware.



The following table lists the part numbers for the server components.

Table 6. Parts listing, Type 7912

Index	Description	CRU part number (Tier 1)	CRU part number (Tier 2)
2	Heat sink assembly, 95 W		90Y4967
2	Heat sink assembly, 130 W		46W2702
3	Memory, 16 GB dual-rank, 1.5 V, DDR3, 1866 MHz, RDIMM	46W0670	
3	Memory, 16 GB dual-rank, 1.35 V, DDR3, 1600 MHz, RDIMM	46W0674	
3	Memory, 4 GB dual-rank, 1.35 V, DDR3, 1600 MHz, RDIMM	46W0737	
3	Memory, 8 GB dual-rank 1.35 V, DDR3, 1333 MHz, RDIMM	49Y1415	
3	Memory, 2 GB single-rank 1.35 V, DDR3, RDIMM	49Y1421	
3	Memory, 4 GB dual-rank 1.35 V, DDR3, 1333 MHz, UDIMM	49Y1422	
3	Memory, 2 GB single-rank 1.35 V, DDR3, 1333 MHz, RDIMM	49Y1423	
3	Memory, 4 GB single-rank 1.35 V, DDR3, 1333 MHz, RDIMM	49Y1424	
3	Memory, 16 GB dual-rank 1.50 V, DDR3, 1333 MHz, RDIMM	49Y1565	
3	Memory, 32 GB dual-rank 1.35 V, DDR3, 1333 MHz, LRDIMM	90Y3107	
3	Memory, 8 GB dual-rank 1.50 V, DDR3, 1600 MHz, RDIMM	90Y3111	
3	Memory, 4 GB dual-rank 1.5 V, DDR3, 1600 MHz, RDIMM	90Y3180	
3	Memory, 16 GB dual-rank 1.50 V, DDR3, 1600 MHz, RDIMM	00D4970	
3	Memory, 4 GB dual-rank 1.35 V, DDR3, 1600 MHz, UDIMM	00D5014	
3	Memory, 4 GB single-rank 1.5 V, DDR3 1866 MHz, RDIMM	00D5022	
3	Memory, 4 GB single-rank 1.35 V, DDR3, 1600 MHz, RDIMM	00D5026	
3	Memory, 4 GB dual-rank 1.5 V, DDR3, 1866 MHz, RDIMM	00D5030	
3	Memory, 8 GB single-rank 1.5 V, DDR3, 1866 MHz, RDIMM	00D5034	
3	Memory, 8 GB single-rank 1.35 V, DDR3, 1600 MHz, RDIMM	00D5038	
3	Memory, 8 GB dual-rank 1.5 V, DDR3, 1866 MHz, RDIMM	00D5042	
3	Memory, 8 GB dual-rank 1.35 V, DDR3, 1600 MHz, RDIMM	00D5046	
4	Microprocessor, Intel Xeon E5-2690, 2.90 GHz, 20 MB, 1600 MHz, 135 W (8 core)		49Y8115
4	Microprocessor, Intel Xeon E5-2637, 3.00 GHz, 5 MB, 1066 MHz, 80 W (2 core)		49Y8124
4	Microprocessor, Intel Xeon E5-2665, 2.40 GHz, 20 MB, 115 W (8 core)		49Y8142
4	Microprocessor, Intel Xeon E5-2650L, 1.80 GHz, 20 MB, 1600 MHz, 70 W (8 core)		81Y5160
4	Microprocessor, Intel Xeon E5-2603, 1.80 GHz, 10 MB, 1066 MHz, 80 W (4 core)		81Y5161
4	Microprocessor, Intel Xeon E5-2609, 2.40 GHz, 10 MB, 1066 MHz, 80 W (4 core)		81Y5163
4	Microprocessor, Intel Xeon E5-2620, 2.00 GHz, 15 MB, 1333 MHz, 95 W (6 core)		81Y5164
4	Microprocessor, Intel Xeon E5-2630, 2.30 GHz, 15 MB, 1333 MHz, 95 W (6 core)		81Y5165

Table 6. Parts listing, Type 7912 (continued)

Index	Description	CRU part number (Tier 1)	CRU part number (Tier 2)
4	Microprocessor, Intel Xeon E5-2640, 2.50 GHz, 15 MB, 1333 MHz, 95 W (6 core)		81Y5166
4	Microprocessor, Intel Xeon E5-2650, 2.00 GHz, 20 MB, 1600 MHz, 95 W (8 core)		81Y5167
4	Microprocessor, Intel Xeon E5-2660, 2.20 GHz, 20 MB, 1600 MHz, 95 W (8 core)		81Y5168
4	Microprocessor, Intel Xeon E5-2680, 2.70 GHz, 20 MB, 1600 MHz, 130 W (8 core)		81Y5169
4	Microprocessor, Intel Xeon E5-2667, 2.90 GHz, 15 MB, 1600 MHz, 130 W (6 core)		81Y5170
4	Microprocessor, Intel Xeon E5-2630L 2.00 GHz, 15 MB, 1333 MHz, 60 W (6 core)		81Y5204
4	Microprocessor, Intel Xeon E5-2670, 2.60 GHz, 20 MB, 1600 MHz, 115 W (8 core)		81Y9419
4	Microprocessor, Intel Xeon E5-2648L 1.8 GHz, 20 MB, 1600 MHz, 70 W (8 core)		95Y4671
4	Microprocessor, Intel Xeon E5-2658, 2.1 GHz, 20 MB, 1600 MHz, 95 W (8 core)		95Y4676
4	Microprocessor, Intel Xeon E5-2618L v2 2.0 GHz, 15 MB, 1333 MHz, 50 W (6 core)		00AE522
4	Microprocessor, Intel Xeon E5-2648L v2 1.9 GHz, 25 MB, 1866 MHz, 70 W (10 core)		00AE523
4	Microprocessor, Intel Xeon E5-2658 v2 2.4 GHz, 25 MB, 1866 MHz, 95 W (10 core)		00AE524
4	Microprocessor, Intel Xeon E5-2628L v2 1.9 GHz, 20 MB, 1600 MHz, 70 W (8 core)		00AE525
4	Microprocessor, Intel Xeon E5-2695 v2 2.4 GHz, 30 MB, 1866 MHz, 115 W (12 core)		00Y2776
4	Microprocessor, Intel Xeon E5-2697 v2 2.7 GHz, 30 MB, 1866 MHz, 130 W (12 core)		00Y2777
4	Microprocessor, Intel Xeon E5-2603 v2 1.8 GHz, 10 MB, 1333 MHz, 80 W (4 core)		00Y2778
4	Microprocessor, Intel Xeon E5-2609 v2 2.5 GHz, 10 MB, 1333 MHz, 80 W (4 core)		00Y2779
4	Microprocessor, Intel Xeon E5-2620 v2 2.1 GHz, 15 MB, 1600 MHz, 80 W (6 core)		00Y2780
4	Microprocessor, Intel Xeon E5-2630 v2 2.6 GHz, 15 MB, 1600 MHz, 80 W (6 core)		00Y2781
4	Microprocessor, Intel Xeon E5-2640 v2 2.0 GHz, 20 MB, 1600 MHz, 95 W (8 core)		00Y2782
4	Microprocessor, Intel Xeon E5-2650 v2 2.6 GHz, 20 MB, 1866 MHz, 95 W (8 core)		00Y2783
4	Microprocessor, Intel Xeon E5-2660 v2 2.2 GHz, 25 MB, 1866 MHz, 95 W (10 core)		00Y2784
4	Microprocessor, Intel Xeon E5-2670 v2 2.5 GHz, 25 MB, 1866 MHz, 115 W (10 core)		00Y2785

Table 6. Parts listing, Type 7912 (continued)

Index	Description	CRU part number (Tier 1)	CRU part number (Tier 2)
4	Microprocessor, Intel Xeon E5-2680 v2 2.8 GHz, 25 MB, 1866 MHz, 115 W (10 core)		00Y2786
4	Microprocessor, Intel Xeon E5-2690 v2 3.0 GHz, 25 MB, 1866 MHz, 130 W (10 core)		00Y2787
4	Microprocessor, Intel Xeon E5-2637 v2 3.5 GHz, 15 MB, 1866 MHz, 130 W (4 core)		00Y2789
4	Microprocessor, Intel Xeon E5-2643 v2 3.5 GHz, 25 MB, 1866 MHz, 130 W (6 core)		00Y2790
4	Microprocessor, Intel Xeon E5-2667 v2 3.3 GHz, 25 MB, 1866 MHz, 130 W (8 core)		00Y2791
4	Microprocessor, Intel Xeon E5-2630L v2 2.4 GHz, 15 MB, 1600 MHz, 60 W (6 core)		00Y2792
4	Microprocessor, Intel Xeon E5-2650L v2 1.7 GHz, 25 MB, 1600 MHz, 70 W (10 core)		00Y2793
5	Power paddle board	46W2902	
6	Cable assembly, 1PM SATA 480 mm for 3.5-inch simple-swap	90Y5119	
7	Cable assembly, 2PM SATA 480 mm for 2.5-inch simple-swap	94Y7533	
7	Cable assembly, 2PM SAS 480 mm for 2.5-inch simple-swap	90Y6253	
8	Cable assembly, 4PM Mico SATA to 4x 520 mm for 1.8-inch simple-swap	90Y6257	
9	Hard disk drive, 3.5-inch simple-swap, 2 TB 7.2 K 6 Gbps 512e NL SATA Gen-2	00FN119	
9	Hard disk drive, 3.5-inch simple-swap, 3 TB 7.2 K 6 Gbps 512e NL SATA Gen-2	00FN134	
9	Hard disk drive, 3.5-inch simple-swap, 4 TB 7.2 K 6 Gbps 512e NL SATA Gen-2	00FN149	
9	Hard disk drive, 3.5-inch simple-swap, 5 TB 7.2 K 6 Gbps 512e NL SATA Gen-2	00FN164	
9	Hard disk drive, 3.5-inch simple-swap, 6 TB 7.2 K 6 Gbps 512e NL SATA Gen-2	00FN179	
9	Hard disk drive, 3.5-inch simple-swap, 500 GB 7.2 K 6 Gbps NL SATA Gen-2	81Y9803	
9	Hard disk drive, 3.5-inch simple-swap, 1 TB, 7.2 K	81Y9807	
9	Hard disk drive, 3.5-inch simple-swap, 2TB 7.2K 6Gbps NL SATA Gen-2	81Y9811	
9	Hard disk drive, 3.5-inch simple-swap, 3 TB, 7.2 K	81Y9815	
12	Hard disk drive, 2.5-inch G2 simple-swap, 120 GB SATA SSD	00AJ376	
12	Hard disk drive, 2.5-inch G2 simple-swap, 240 GB SATA SSD	00AJ381	
12	Hard disk drive, 2.5-inch G2 simple-swap, 480 GB SATA SSD	00AJ386	
12	Hard disk drive, 2.5-inch G2 simple-swap, 800 GB SATA SSD	00AJ391	
12	Hard disk drive, 2.5-inch MLC simple-swap, 1.6 TB SATA SSD	00FN274	
12	Hard disk drive, 2.5-inch simple-swap, 200 GB SATA MLC SSD	40K6897	

Table 6. Parts listing, Type 7912 (continued)

Index	Description	CRU part number (Tier 1)	CRU part number (Tier 2)
12	Hard disk drive, 2.5-inch simple-swap, 300 GB 10 K 6 Gbps SAS SFF	49Y1992	
12	Hard disk drive, 2.5-inch simple-swap, 146 GB 15 K 6 Gbps SAS SFF	49Y1997	
12	Hard disk drive, 2.5-inch simple-swap, 600 GB 10 K 6 Gbps SAS SFF	49Y2028	
12	Hard disk drive, 2.5-inch simple-swap, 900 GB 10 K 6 Gbps SAS SFF	81Y9655	
12	Hard disk drive, 2.5-inch simple-swap, 300 GB 15 K 6 Gbps SAS SFF	81Y9675	
12	Hard disk drive, 2.5-inch simple-swap, 250 GB 7.2 K 6 Gbps NL SATA SFF	81Y9735	
12	Hard disk drive, 2.5-inch simple-swap, 500 GB 7.2 K 6 Gbps NL SATA SFF	81Y9739	
12	Hard disk drive, 2.5-inch simple-swap, 1TB 7.2 K 6 Gbps NL SATA SFF	81Y9743	
12	Hard disk drive, 2.5-inch simple-swap, 600 GB 10 K 6 Gbps SAS G2	00AD108	
12	Hard disk drive, 2.5-inch simple-swap, 256 GB 6 Gbps SATA SFF	90Y8664	
12	Hard disk drive, 2.5-inch simple-swap, 128 GB 6 Gbps SATA SFF	90Y8669	
13	2.5-inch HDD/SSD converter cage	90Y4974	
14	Hard disk drive, 1.8-inch 50 GB SATA MLC SSD	43W7729	
14	Hard disk drive, 1.8-inch 200 GB SATA MLC SSD	43W7745	
15	1.8-inch HDD/SSD converter cage	90Y4931	
16	Infiniband Mezz module	90Y4956	
16	FDR14 Infiniband Mezz module	00J6248	
16	Emulex 10GbE virtual fabric dual-port adapter	90Y5100	
16	Qlogic dual-port 10GbE SFP+ Embedded VFA (two microprocessors installed required)	90Y5099	
16	Intel x540 dual-port 10G BaseT embedded adapter	49Y7992	
17	System-board tray (base assembly type 1 for use with Intel Xeon Processor E5-2600 series) Type 7912 - 22x, 42x, 62x		46W2901
17	System-board tray (base assembly type 2 for use with Intel Xeon Processor E5-2600 v2 series) Type 7912 - 22x, 42x, 62x, 13x, 63x, 83x		00Y8619
18	1U PCI riser module	00W2582	
	Battery, 3.0 volt	33F8354	
	Cable, switch LED	90Y4962	
	Cable, system-board	90Y4964	
	Cable, iBBU09	90Y7309	
	Cable, supercap	90Y7310	

Table 6. Parts listing, Type 7912 (continued)

Index	Description	CRU part number (Tier 1)	CRU part number (Tier 2)
	Cable, 2 2PM SAS to 4x hdd, 900 mm	00Y8515	
	Cable, 1 2PM SAS to 4x hdd, 480 mm	00Y8519	
	Cable, 1 4PM micro SATA to 4x hdd, 910 mm	00Y8523	
	Cable, 1 4PM micro SATA to 4x hdd, 520 mm	00Y8527	
	Cable, 2 1PM SAS to 4x hdd, 900 mm	00Y8641	
	Cable, ServeRAID M5200 series flash power module	46C9793	
	Brocade 16Gb FC single-port host bus adapter	81Y1671	
	Brocade 16Gb FC dual-port host bus adapter	81Y1678	
	Broadcom 10GbE SFP+ PCIe adapter	94Y5182	
	Emulex dual-port 10GbE SFP+ embedded virtual fabric adapter IIIr	00Y7731	
	Emulex 16Gb FC single-port host bus adapter	81Y1658	
	Emulex 16Gb FC dual-port host bus adapter	81Y1665	
	Emulex 10GbE virtual fabric adapter III adapter	95Y3766	
	Endeavor basic 10Gb BE3-R adapter	00D8543	
	Hypervisor, embedded USB flash device	42D0545	
	IBM 4Gbs PCIE single-port	43W7510	
	IBM 4Gbs PCIE dual-port	43W7512	
	IBM 6Gb SAS host bus adapter	46C8935	
	IBM 6Gb SAS host bus adapter	68Y7354	
	IBM 6Gb performance optimized host bus adapter	46C8937	
	IBM 6Gb performance optimized host bus adapter	90Y4356	
	IBM 300 GB high IOPS MLC modular adapter	90Y4362	
	IBM 600 GB high IOPS MLC modular adapter	90Y4366	
	IBM 800 GB high IOPS MLC modular adapter	90Y4370	
	IBM 300 GB high IOPS SLC modular adapter	90Y4374	
	NetXtreme I quad port adapter	90Y9355	
	NetXtreme I quad port adapter	90Y9373	
	QLogic 4Gb FC single-port PCIe host bus adapter	00Y5626	
	QLogic 4Gb FC dual-port PCIe host bus adapter	00Y5627	
	ServeRAID M1115 SAS/SATA adapter	46C8928	
	ServeRAID M1115 SAS/SATA adapter	81Y4449	
	ServeRAID M5120 SAS/SATA adapter	81Y4479	
	ServeRAID M5110 SAS/SATA adapter	00AE807	
	ServeRAID M5100 series 512 MB cache (RAID 5 upgrade)	81Y4485	
	ServeRAID M5100 series 512 MB flash (RAID 5 upgrade)	81Y4488	
	ServeRAID M5100 series battery kit	81Y4491	
	ServeRAID M5100 series 1 GB flash (RAID 5 upgrade)	81Y4580	
	ServeRAID H1110 SAS/SATA adapter	81Y4494	

Table 6. Parts listing, Type 7912 (continued)

Index	Description	CRU part number (Tier 1)	CRU part number (Tier 2)
	Label kit, system-board and expansion tray	90Y6244	
	Thermal grease kit		41Y9292
	Alcohol wipe		59P4739

Type 7913 2U chassis components

The following replaceable components are available for the Type 7913 2U chassis.

Note: The illustrations in this document might differ slightly from your hardware.

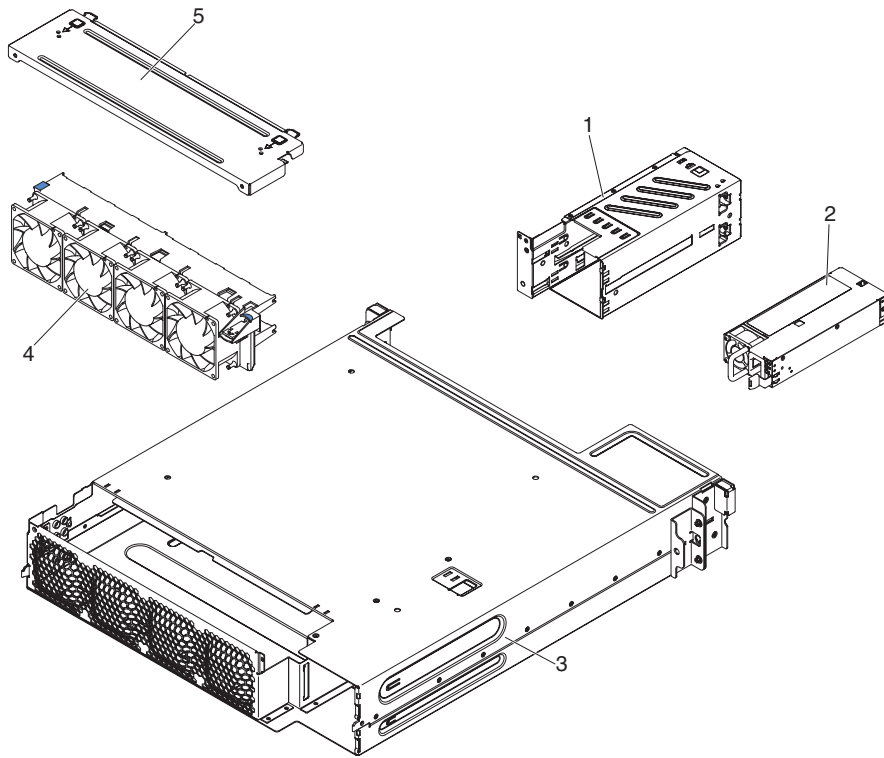


Table 7. Parts listing, Type 7913

Index	Description	CRU part number (Tier 1)	CRU part number (Tier 2)
1	Power supply cage module	90Y4873	
2	900 watt power supply	94Y8073	
2	900 watt power supply	94Y8087	
2	900 watt power supply	94Y8118	
2	550 watt power supply	94Y8075	
2	550 watt power supply	94Y8110	
2	750 watt power supply	94Y8071	
2	750 watt power supply	94Y8079	

Table 7. Parts listing, Type 7913 (continued)

Index	Description	CRU part number (Tier 1)	CRU part number (Tier 2)
2	750 watt power supply	94Y8086	
2	750 watt power supply	94Y8114	
2	750 watt power supply	94Y8116	
4	Fan assembly	90Y4869	
	2U chassis lable kit	90Y4878	
	Line cord, jumper	90Y4938	
	Line cord, Y 12A jumper	90Y4940	

GPGPU enclosure components

The following replaceable components are available for the GPGPU enclosure.

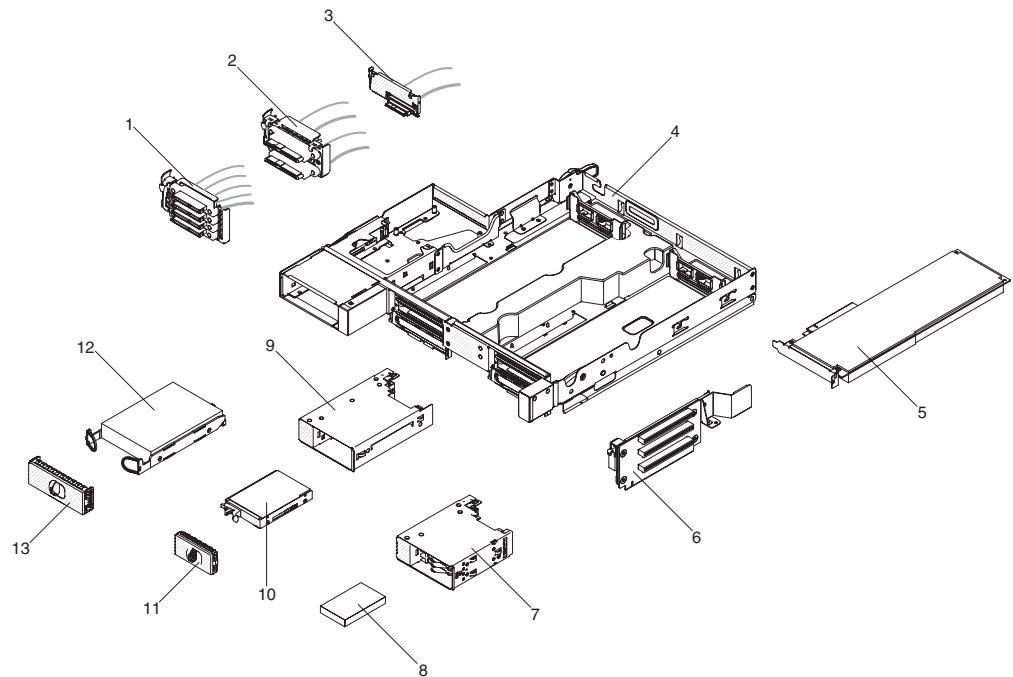


Table 8. Parts listing, GPGPU enclosure

Index	Description	CRU part number (Tier 1)	CRU part number (Tier 2)
1	Cable assembly, 4PM Mico SATA to 4x 520 mm for 1.8-inch simple-swap	90Y6257	
2	Cable assembly, 2PM SATA 480 mm for 2.5-inch simple-swap	94Y7533	
3	Cable assembly, 1PM SATA 480 mm for 3.5-inch simple-swap	90Y5119	
4	PCI tray	90Y4901	
5	NVIDIA Quadro 5000	43V5917	
5	NVIDIA Tesla M2090	90Y2310	
5	NVIDIA Tesla K10 PCI express x 16	90Y2338	
5	NVIDIA Tesla K20 PCI Express x 16	90Y2346	

Table 8. Parts listing, GPGPU enclosure (continued)

Index	Description	CRU part number (Tier 1)	CRU part number (Tier 2)
5	NVIDIA Tesla K20X PCI Express x 16	90Y2351	
5	NVIDIA VGX K1 PCI Express x 16	90Y2355	
5	NVIDIA VGX K2 PCI Express x 16	90Y2359	
5	Intel Xeon Phi 7120P	90Y2363	
5	Intel Xeon Phi 5110P PCI Express x16	90Y2367	
6	2U PCI riser GPU	00J6218	
7	1.8-inch HDD/SSD converter cage	90Y4931	
8	Hard disk drive, 1.8-inch 200 GB SATA MLC SSD	43W7745	
8	Hard disk drive, 1.8-inch 50 GB SATA MLC SSD	43W7729	
9	2.5-inch HDD/SSD converter cage	90Y4974	
10	Hard disk drive, 2.5-inch simple-swap (see Table 6 on page 265 for the supported drives)		
12	Hard disk drive, 3.5-inch simple-swap (see Table 6 on page 265 for the supported drives)		
	Cable, 2PM SAS 900 mm	90Y4975	
	Cable, 1PM SAS 900 mm	90Y5115	
	Cable, 1PM SATA 900 mm	90Y6250	
	Cable, 4PM Mico SATA to 4x, 910 mm	90Y6256	
	Cable, power graphics 8P-6P	90Y6357	
	Cable, power graphics 8P-8P	90Y6360	
	Cable, Q6000 Power R1	00D9507	

Structural parts

Structural parts are not covered by the IBM Statement of Limited Warranty.

Table 9. Structural parts, Types 7912 and 7913

Index	Description	Part number
1	System-board tray cover	90Y4880
3	2U chassis	90Y4861
5	2U chassis top cover	90Y4864
10	Filler, 3.5-inch simple-swap hard disk drive bay	90Y4916
11	Filler, 2.5/1.8-inch simple-swap hard disk drive bay	90Y4928
	2U chassis miscellaneous kit	90Y4877
	3U bracket kit	94Y7628
	Node and expansion tray miscellaneous kit	94Y7558
	PCI slot blank filler	90Y6603
	PCI slot blank filler	00D9510
	iDataPlex rail kit with power cord bracket	90Y4942
	iDataPlex rail kit	90Y4959

Table 9. Structural parts, Types 7912 and 7913 (continued)

Index	Description	Part number
	Battery holder	00Y8545
	Remote battery holder	94Y7609
	Enterprise rack rail kit	90Y5124

To order a structural part, complete the following steps:

Note: Changes are made periodically to the IBM website. The actual procedure might vary slightly from what is described in this document.

1. Go to <http://www.ibm.com>.
2. From the **Products** menu, select **Upgrades, accessories & parts**.
3. Click **Obtain maintenance parts**; then, follow the instructions to order the part from the retail store.

If you need help with your order, call the toll-free number that is listed on the retail parts page, or contact your local IBM representative for assistance.

Power cords

For your safety, IBM provides a power cord with a grounded attachment plug to use with this IBM product. To avoid electrical shock, always use the power cord and plug with a properly grounded outlet.

IBM power cords used in the United States and Canada are listed by Underwriter's Laboratories (UL) and certified by the Canadian Standards Association (CSA).

For units intended to be operated at 115 volts: Use a UL-listed and CSA-certified cord set consisting of a minimum 18 AWG, Type SVT or SJT, three-conductor cord, a maximum of 15 feet in length and a parallel blade, grounding-type attachment plug rated 15 amperes, 125 volts.

For units intended to be operated at 230 volts (U.S.): Use a UL-listed and CSA-certified cord set consisting of a minimum 18 AWG, Type SVT or SJT, three-conductor cord, a maximum of 15 feet in length and a tandem blade, grounding-type attachment plug rated 15 amperes, 250 volts.

For units intended to be operated at 230 volts (outside the U.S.): Use a cord set with a grounding-type attachment plug. The cord set should have the appropriate safety approvals for the country in which the equipment will be installed.

IBM power cords for a specific country or region are usually available only in that country or region.

IBM power cord part number	Used in these countries and regions
39M5206	China
39M5102	Australia, Fiji, Kiribati, Nauru, New Zealand, Papua New Guinea

IBM power cord part number	Used in these countries and regions
39M5123	Afghanistan, Albania, Algeria, Andorra, Angola, Armenia, Austria, Azerbaijan, Belarus, Belgium, Benin, Bosnia and Herzegovina, Bulgaria, Burkina Faso, Burundi, Cambodia, Cameroon, Cape Verde, Central African Republic, Chad, Comoros, Congo (Democratic Republic of), Congo (Republic of), Cote D'Ivoire (Ivory Coast), Croatia (Republic of), Czech Republic, Dahomey, Djibouti, Egypt, Equatorial Guinea, Eritrea, Estonia, Ethiopia, Finland, France, French Guyana, French Polynesia, Germany, Greece, Guadeloupe, Guinea, Guinea Bissau, Hungary, Iceland, Indonesia, Iran, Kazakhstan, Kyrgyzstan, Laos (People's Democratic Republic of), Latvia, Lebanon, Lithuania, Luxembourg, Macedonia (former Yugoslav Republic of), Madagascar, Mali, Martinique, Mauritania, Mauritius, Mayotte, Moldova (Republic of), Monaco, Mongolia, Morocco, Mozambique, Netherlands, New Caledonia, Niger, Norway, Poland, Portugal, Reunion, Romania, Russian Federation, Rwanda, Sao Tome and Principe, Saudi Arabia, Senegal, Serbia, Slovakia, Slovenia (Republic of), Somalia, Spain, Suriname, Sweden, Syrian Arab Republic, Tajikistan, Tahiti, Togo, Tunisia, Turkey, Turkmenistan, Ukraine, Upper Volta, Uzbekistan, Vanuatu, Vietnam, Wallis and Futuna, Yugoslavia (Federal Republic of), Zaire
39M5130	Denmark
39M5144	Bangladesh, Lesotho, Macao, Maldives, Namibia, Nepal, Pakistan, Samoa, South Africa, Sri Lanka, Swaziland, Uganda
39M5151	Abu Dhabi, Bahrain, Botswana, Brunei Darussalam, Channel Islands, China (Hong Kong S.A.R.), Cyprus, Dominica, Gambia, Ghana, Grenada, Iraq, Ireland, Jordan, Kenya, Kuwait, Liberia, Malawi, Malaysia, Malta, Myanmar (Burma), Nigeria, Oman, Polynesia, Qatar, Saint Kitts and Nevis, Saint Lucia, Saint Vincent and the Grenadines, Seychelles, Sierra Leone, Singapore, Sudan, Tanzania (United Republic of), Trinidad and Tobago, United Arab Emirates (Dubai), United Kingdom, Yemen, Zambia, Zimbabwe
39M5158	Liechtenstein, Switzerland
39M5165	Chile, Italy, Libyan Arab Jamahiriya
39M5172	Israel
39M5095	220 - 240 V Antigua and Barbuda, Aruba, Bahamas, Barbados, Belize, Bermuda, Bolivia, Caicos Islands, Canada, Cayman Islands, Colombia, Costa Rica, Cuba, Dominican Republic, Ecuador, El Salvador, Guam, Guatemala, Haiti, Honduras, Jamaica, Mexico, Micronesia (Federal States of), Netherlands Antilles, Nicaragua, Panama, Peru, Philippines, Saudi Arabia, Thailand, Taiwan, United States of America, Venezuela
39M5076	110 - 120 V Antigua and Barbuda, Aruba, Bahamas, Barbados, Belize, Bermuda, Bolivia, Caicos Islands, Canada, Cayman Islands, Colombia, Costa Rica, Cuba, Dominican Republic, Ecuador, El Salvador, Guam, Guatemala, Haiti, Honduras, Jamaica, Mexico, Micronesia (Federal States of), Netherlands Antilles, Nicaragua, Panama, Peru, Philippines, Saudi Arabia, Thailand, Taiwan, United States of America, Venezuela
39M5219	Korea (Democratic People's Republic of), Korea (Republic of)

IBM power cord part number	Used in these countries and regions
39M5199	Japan
39M5226	India

Chapter 5. Removing and replacing server components

The types of replaceable components are:

- **Consumables:** Purchase and replacement of consumables (components, such as batteries and printer cartridges, that have depleting life) is your responsibility. If IBM acquires or installs a consumable component at your request, you will be charged for the service.
- **Structural parts:** Purchase and replacement of structural parts (components, such as chassis assembly, top cover, and bezel) is your responsibility. If IBM acquires or installs a structural component at your request, you will be charged for the service.
- **Tier 1 customer replaceable unit (CRU):** Replacement of Tier 1 CRUs is your responsibility. If IBM installs a Tier 1 CRU at your request, you will be charged for the installation.
- **Tier 2 customer replaceable unit:** You may install a Tier 2 CRU yourself or request IBM to install it, at no additional charge, under the type of warranty service that is designated for your server.

See Chapter 4, “Parts listing, System x iDataPlex dx360 M4 Types 7912 and 7913,” on page 263 to determine whether a component is a structural part, consumable part, Tier 1 CRU, or Tier 2 CRU.

For information about the terms of the warranty, see the *Warranty Information* document that comes with the server.

Installation guidelines

Attention: Static electricity that is released to internal server components when the server is powered-on might cause the system to halt, which might result in the loss of data. To avoid this potential problem, always use an electrostatic-discharge wrist strap or other grounding system when removing or installing a hot-swap device.

Before you remove or replace a component, read the following information:

- Read the safety information that begins on page vii and the guidelines in “Working inside the server with the power on” on page 279 and “Handling static-sensitive devices” on page 279. This information will help you work safely.
- Make sure that the devices that you are installing are supported. For a list of supported optional devices for the server (or MAX5, if one is connected to the server), see <http://www.ibm.com/systems/info/x86servers/serverproven/compat/us/>.
- When you install your new server, take the opportunity to download and apply the most recent firmware updates. This step will help to ensure that any known issues are addressed and that your server is ready to function at maximum levels of performance. To download firmware updates for your server, go to <http://www.ibm.com/support/fixcentral/>.

Important: Some cluster solutions require specific code levels or coordinated code updates. If the device is part of a cluster solution, verify that the latest level of code is supported for the cluster solution before you update the code. For additional information about tools for updating, managing, and deploying firmware, see the ToolsCenter for System x and BladeCenter at <http://publib.boulder.ibm.com/infocenter/toolsctr/v1r0/index.jsp>.

- Before you install optional devices, make sure that the server is working correctly. Start the server, and make sure that the operating system starts, if an operating system is installed, or that a 19990305 error code is displayed, indicating that an operating system was not found but the server is otherwise working correctly. If the server is not working correctly, see Chapter 1, “Start here,” on page 1 and Chapter 3, “Diagnostics,” on page 17 for diagnostic information.
- Observe good housekeeping in the area where you are working. Place removed covers and other parts in a safe place.
- If you must start the server while the cover is removed, make sure that no one is near the server and that no other objects have been left inside the server.
- Do not attempt to lift an object that you think is too heavy for you. If you have to lift a heavy object, observe the following precautions:
 - Make sure that you stand safely without slipping.
 - Distribute the weight of the object equally between your feet.
 - Use a slow lifting force. Never move suddenly or twist when you lift a heavy object.
 - To avoid straining the muscles in your back, lift by standing or by pushing up with your leg muscles
- Make sure that you have an adequate number of properly grounded electrical outlets for the server, monitor, and other devices.
- Back up all important data before you make changes to disk drives.
- Have a small flat-blade screwdriver, a small Phillips screwdriver, and a T8 torx screwdriver available.
- You do not have to turn off the server to install or replace hot-swap power supplies, hot-swap fans, hot-swap drives, or hot-plug Universal Serial Bus (USB) devices. However, you must turn off the server before you perform any steps that involve removing or installing adapter cables, and you must disconnect the power source before you perform any steps that involve removing or installing riser cards.
- Blue on a component indicates touch points, where you can grip the component to remove it from or install it in the server, open or close a latch, and so on.
- Orange on a component or an orange label on or near a component indicates that the component can be hot-swapped, which means that if the server and operating system support hot-swap capability, you can remove or install the component while the server is running. (Orange can also indicate touch points on hot-swap components.) See the instructions for removing or installing a specific hot-swap component for any additional procedures that you might have to perform before you remove or install the component.
- When you are finished working on the server, reinstall all safety shields, guards, labels, and ground wires.

System reliability guidelines

To help ensure proper cooling and system reliability, make sure that the following requirements are met:

- Each of the drive bays has a drive or a filler panel and electromagnetic compatibility (EMC) shield installed in it.
- If the server has redundant power, each of the power-supply bays has a power supply installed in it.
- There is adequate space around the server to allow the server cooling system to work properly. Leave approximately 50 mm (2 in.) of open space around the front

and rear of the server. Do not place objects in front of the fans. For proper cooling and airflow, replace the server cover before you turn on the server. Operating the server for extended periods of time (more than 30 minutes) with the server cover removed might damage server components.

- You have followed the cabling instructions that come with optional adapters.
- You have replaced a failed fan within 48 hours.
- You have replaced a hot-swap fan within 30 seconds of removal.
- You have replaced a hot-swap drive within 2 minutes of removal.
- You do not operate the server without the air baffle installed. Operating the server without the air baffle might cause the microprocessor to overheat.
- Microprocessor socket 2 always contains either a socket cover or a microprocessor and heat sink.
- You have installed the fourth and sixth fans when you installed the second microprocessor option.

Working inside the server with the power on

Attention: Static electricity that is released to internal server components when the server is powered-on might cause the server to halt, which might result in the loss of data. To avoid this potential problem, always use an electrostatic-discharge wrist strap or other grounding system when you work inside the server with the power on.

You might have to have the server turned on while the cover is off, to look at light path diagnostics LEDs or replace hot swap components. Follow these guidelines when you work inside a server that is turned on:

- Avoid wearing loose-fitting clothing on your forearms. Button long-sleeved shirts before working inside the server; do not wear cuff links while you are working inside the server.
- Do not allow your necktie or scarf to hang inside the server.
- Remove jewelry, such as bracelets, necklaces, rings, and loose-fitting wrist watches.
- Remove items from your shirt pocket, such as pens and pencils, that could fall into the server as you lean over it.
- Avoid dropping any metallic objects, such as paper clips, hairpins, and screws, into the server.

Handling static-sensitive devices

Attention: Static electricity can damage the server and other electronic devices. To avoid damage, keep static-sensitive devices in their static-protective packages until you are ready to install them.

To reduce the possibility of damage from electrostatic discharge, observe the following precautions:

- Limit your movement. Movement can cause static electricity to build up around you.
- The use of a grounding system is recommended. For example, wear an electrostatic-discharge wrist strap, if one is available. Always use an electrostatic-discharge wrist strap or other grounding system when working inside the server with the power on.
- Handle the device carefully, holding it by its edges or its frame.
- Do not touch solder joints, pins, or exposed circuitry.

- Do not leave the device where others can handle and damage it.
- While the device is still in its static-protective package, touch it to an unpainted metal part on the outside of the server for at least 2 seconds. This drains static electricity from the package and from your body.
- Remove the device from its package and install it directly into the server without setting down the device. If it is necessary to set down the device, put it back into its static-protective package. Do not place the device on the server cover or on a metal surface.
- Take additional care when handling devices during cold weather. Heating reduces indoor humidity and increases static electricity.

Returning a device or component

If you are instructed to return a device or component, follow all packaging instructions, and use any packaging materials for shipping that are supplied to you.

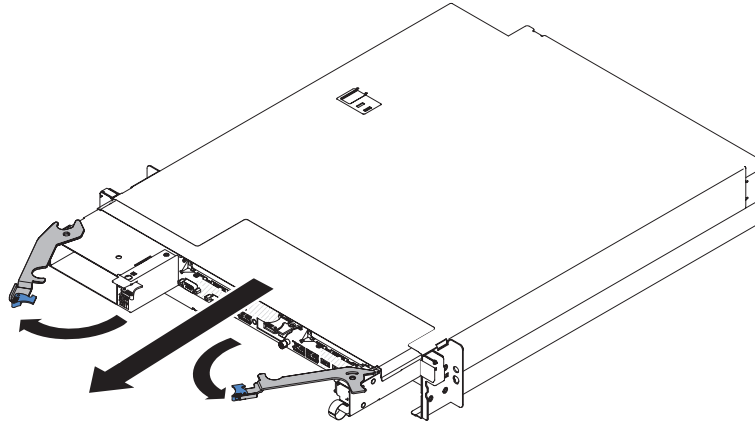
Removing and replacing consumable and structural parts

Replacement of consumable and structural parts is your responsibility. If IBM installs a consumable or structural part at your request, you will be charged for the installation.

Note: The illustrations in this document might differ slightly from your hardware.

Removing the system-board tray from a 2U chassis

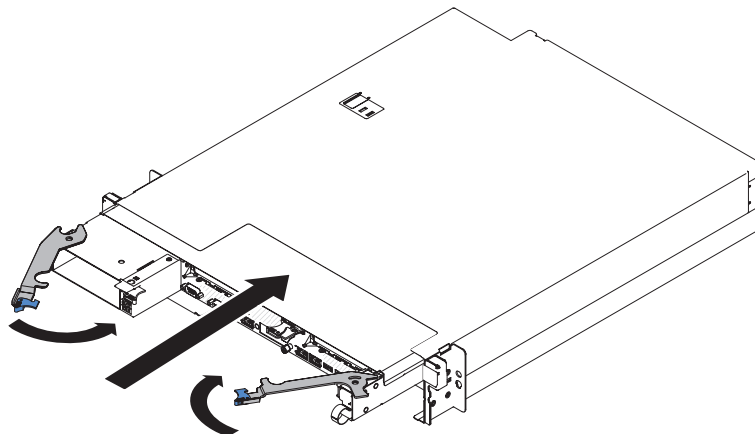
To remove the system-board tray from a 2U chassis, complete the following steps.



1. Read the safety information that begins on page vii and “Installation guidelines” on page 277.
2. If the system-board tray is operating, shut down the operating system; then, press the power-control button to turn off the system-board tray (see “Turning off the system-board tray” on page 12 for more information).
3. If external cables are connected to the front of the system-board tray, note where they are connected; then, remove them.
4. Open the two release latches outward and pull the system-board tray out of the chassis.
5. Set it on a flat, static-protective surface.

Installing the system-board tray in a 2U chassis

To install the system-board tray in a 2U chassis, complete the following steps.

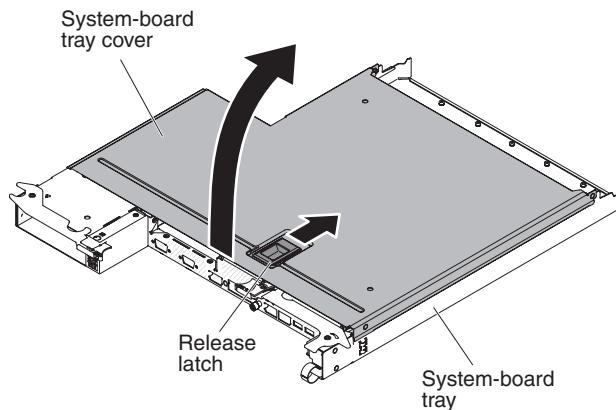


1. Make sure that the levers are in the open position before installing node into chassis
2. Slide the system-board tray into the chassis until it stops.
3. Close the two release latches inward.
4. Reconnect the cables to the front of the system-board tray.
5. Turn on the system-board tray (see “Turning on the node” on page 11).
6. Make sure that the power-on LED on the system-board tray operator panel is lit continuously, indicating that the system-board tray is receiving power and is turned on.

If you are installing a different system-board tray from the one that you removed, you might have to configure the system-board tray using the Setup utility. See “Using the Setup utility” on page 347 for more information.

Removing the system-board tray cover

To remove the server cover, complete the following steps:

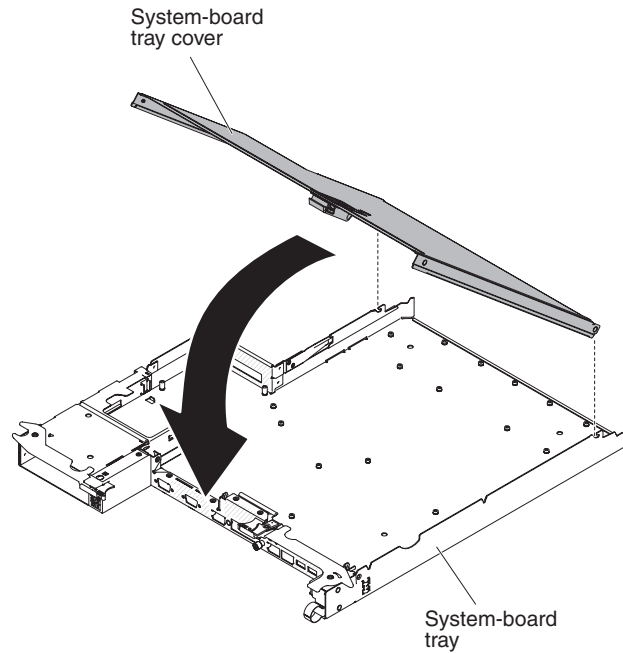


1. Read the safety information that begins on page vii and “Installation guidelines” on page 277.
2. If the system-board tray is installed in a chassis, remove it (see “Removing the system-board tray from a 2U chassis” on page 281).
3. Carefully set the system-board tray on a flat, static-protective surface, with the cover side up.
4. Pull up firmly on the blue latch on the top of the system-board tray; then, lift the cover open.
5. If you are instructed to return the system-board tray cover, follow all packaging instructions, and use any packaging materials for shipping that are supplied to you.

Installing the system-board tray cover

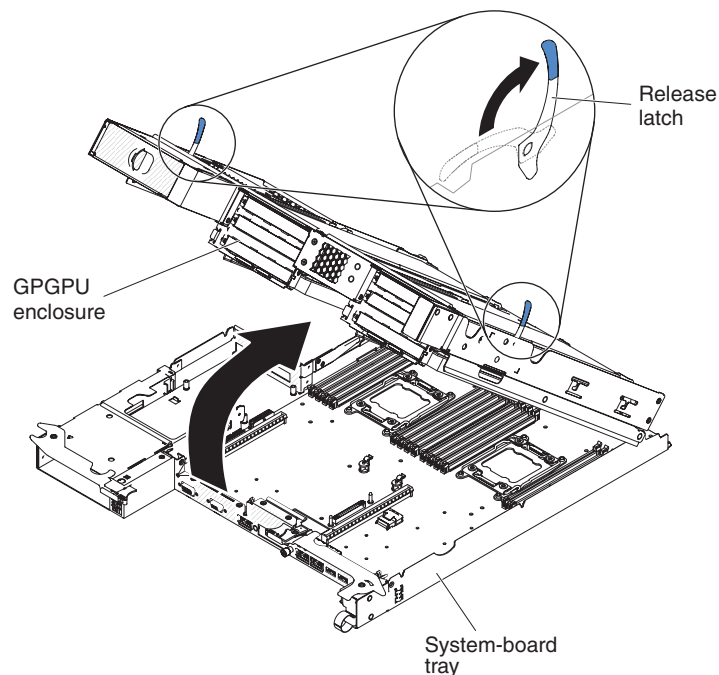
To install the system-board tray cover, complete the following steps:

Attention: You cannot insert the system-board tray into a chassis until the cover is installed and closed. Do not attempt to override this protection.



1. Lower the cover so that the pins at the rear of the cover slide down into the slots at the rear of the system-board tray. Before you close the cover, make sure that all components are installed and seated correctly, all internal cables are correctly routed, and you have not left loose tools or parts inside the system-board tray.
2. Pivot the cover to the closed position until it clicks into place.
3. Install the system-board tray in the chassis (see “Installing the system-board tray in a 2U chassis” on page 281).

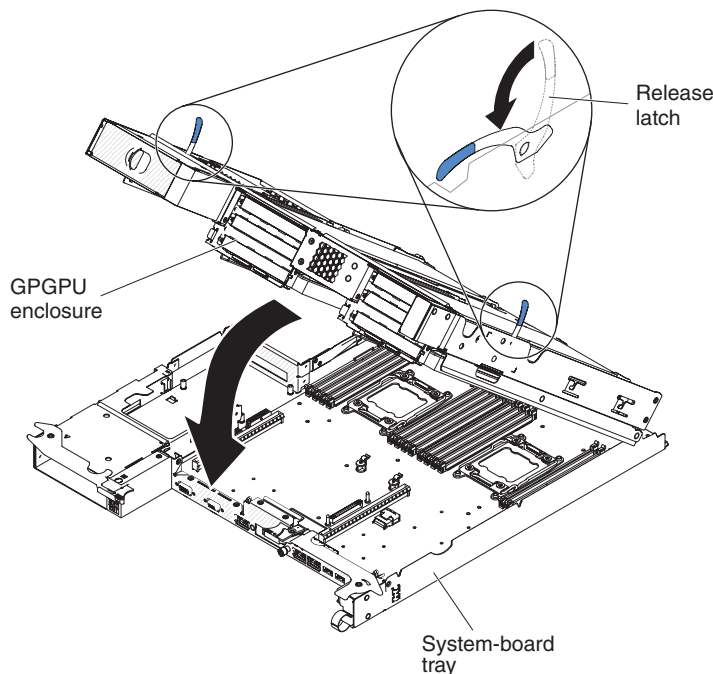
Removing a GPGPU enclosure



To remove a GPGPU enclosure, complete the following steps:

1. Read the safety information that begins on page vii and “Installation guidelines” on page 277.
2. Turn off the system-board tray and all attached devices (see “Turning off the system-board tray” on page 12).
3. If the system-board tray is installed in a chassis, remove it (see “Removing the system-board tray from a 2U chassis” on page 281).
4. Carefully set the system-board tray on a flat, static-protective surface.
5. Note the cable routing and connection locations; then, disconnect the cables that connect the GPGPU enclosure to the system-board tray.
6. Pull the expansion-unit release on each side of the GPGPU enclosure upward; then, rotate the GPGPU enclosure open.
7. Using care not to pull on the cables, lift the GPGPU enclosure from the system-board tray and carefully set it on a flat, static-protective surface.

Installing a GPGPU enclosure



To install a GPGPU enclosure, complete the following steps:

1. Lower enclosure release latches.
2. Orient the GPGPU enclosure above the system-board tray.
3. Lower the GPGPU enclosure so that the pins at the rear slide down into the slots at the rear of the system-board tray. Before you close the cover, make sure that all components are installed and seated correctly, all internal cables are correctly routed, and you have not left loose tools or parts inside the system-board tray.

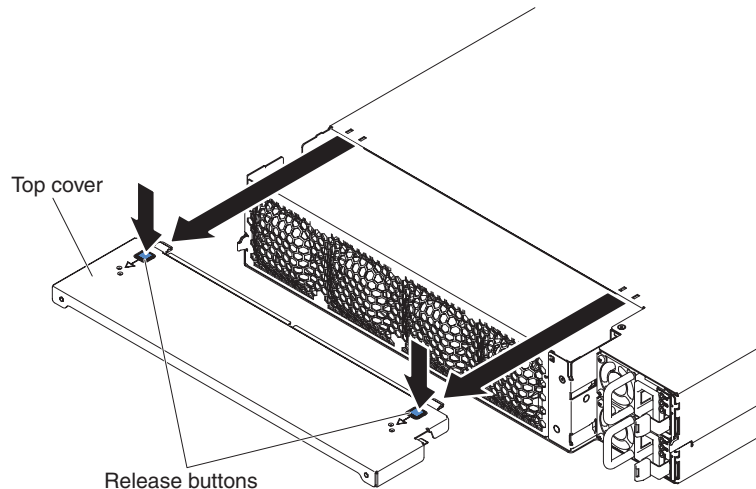
Attention:

- Make sure that cables are not routed on top of the server components nor block any connectors.
 - Make sure that cables are not pinched by the server components.
4. If you disconnected cables when you removed the enclosure, reconnect them.
 5. Pivot the GPGPU enclosure down onto the system-board tray until it docks into place.

6. Reconnect cables to the power board on the system-board tray if they were disconnected.
7. Install the system-board tray in the chassis (see “Installing the system-board tray in a 2U chassis” on page 281).

Removing the 2U chassis fan-assembly top cover

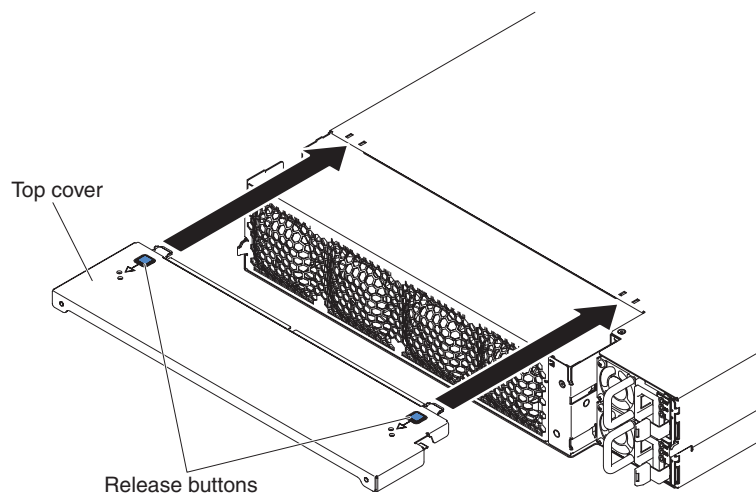
To remove the 2U chassis fan-assembly top cover, complete the following steps.



1. Read the safety information that begins on page vii and “Installation guidelines” on page 277.
2. If the chassis is installed in a rack, remove it (see “Removing the 2U chassis from a rack” on page 286).
3. Press the two cover-release buttons and slide the cover toward the rear of the chassis to remove it.
4. If you are instructed to return the 2U chassis fan-assembly top cover, follow all packaging instructions, and use any packaging materials for shipping that are supplied to you.

Installing the 2U chassis fan-assembly top cover

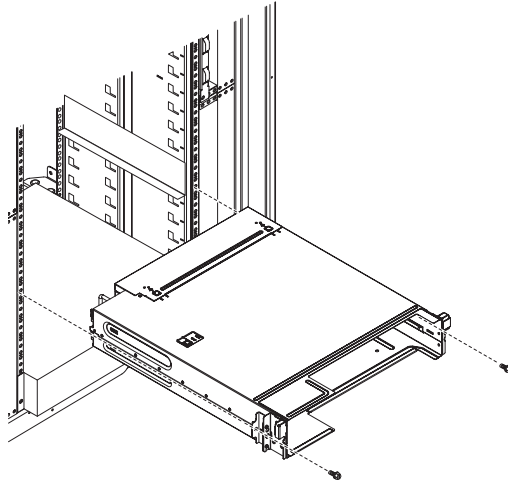
To install the 2U chassis fan-assembly top cover, complete the following steps.



1. Orient the cover over the rear of the chassis so that the retention tabs on the cover align with the tabs in the chassis.
2. Slide the cover onto the chassis until the cover-release buttons click into place.
3. Install the chassis in the rack (see “Installing the 2U chassis in a rack” on page 287).

Removing the 2U chassis from a rack

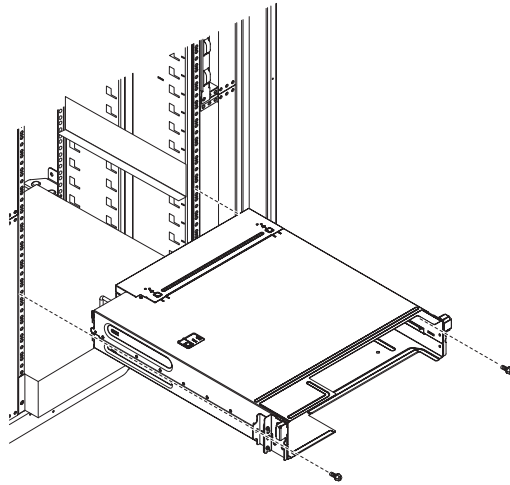
To remove the 2U chassis from a rack, complete the following steps.



1. Read the safety information that begins on page vii and “Installation guidelines” on page 277.
2. If the chassis contains a system-board tray that is operating, shut down the operating system; then, press the power-control button to turn off the system-board tray (see “Turning off the system-board tray” on page 12 for more information).
3. Remove external cables.
4. Remove any installed system-board trays (see “Removing the system-board tray from a 2U chassis” on page 281).
5. If the iDataPlex does not equip with the rail having power cord retention feature, remove power cords.
6. Loosen the two screws that secure the chassis, slide the chassis out.
7. Set it on a flat, static-protective surface.
8. If you are replacing a damaged chassis, remove the fan assembly and power supply cage from the chassis, and place them on a static-protective surface or install them in the new chassis (see “Removing the 2U chassis fan assembly” on page 291 and “Removing a power supply from a 2U chassis” on page 317).
9. If you are instructed to return the 2U chassis, follow all packaging instructions, and use any packaging materials for shipping that are supplied to you.

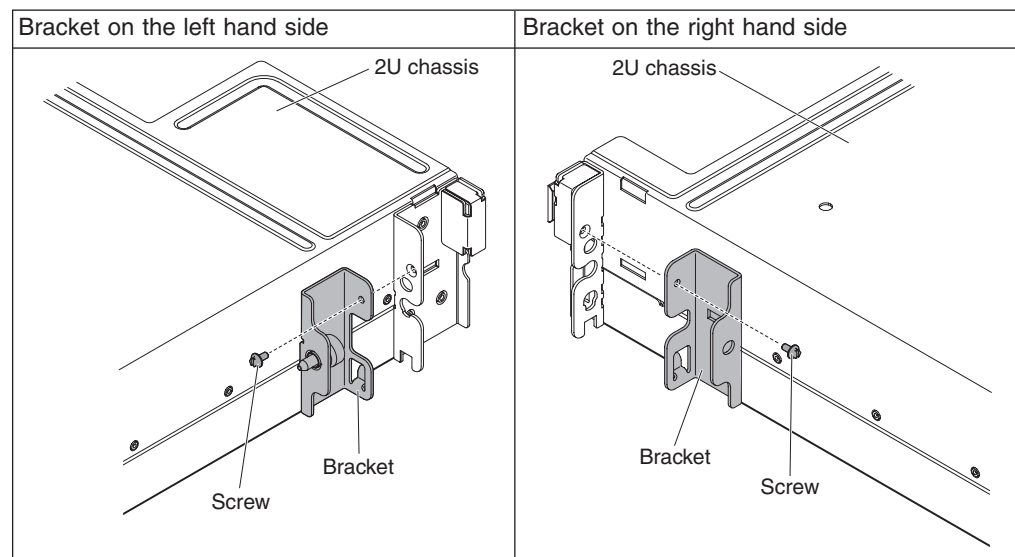
Installing the 2U chassis in a rack

To install the 2U chassis in a rack, complete the following steps.



1. If you are installing a new chassis, install the power supply cage and fan assembly that you removed from the old chassis (see “Installing a power supply in a 2U chassis” on page 319 and “Installing the 2U chassis fan assembly” on page 292).
2. If you have the iDataPlex rack:
 - a. Fasten the captive screw affiliated to the left flange of the chassis to the rack.
 - b. On the right side of the chassis, mount the chassis with one M6 screw which is included in the iDataPlex rack rail kit.
3. If you have the Enterprise rack:
 - a. Remove the two removable brackets on both sides of the chassis in advance.

The following illustrations show the locations of the brackets and the screws on the chassis.



- b. Mount the chassis to rack with two M6 screws which are included in the Enterprise rack rail kit.

4. Install any system-board trays that you removed when you removed the chassis (see “Installing the system-board tray in a 2U chassis” on page 281).
5. Reconnect the external cables.
6. Reconnect power cords if necessary.

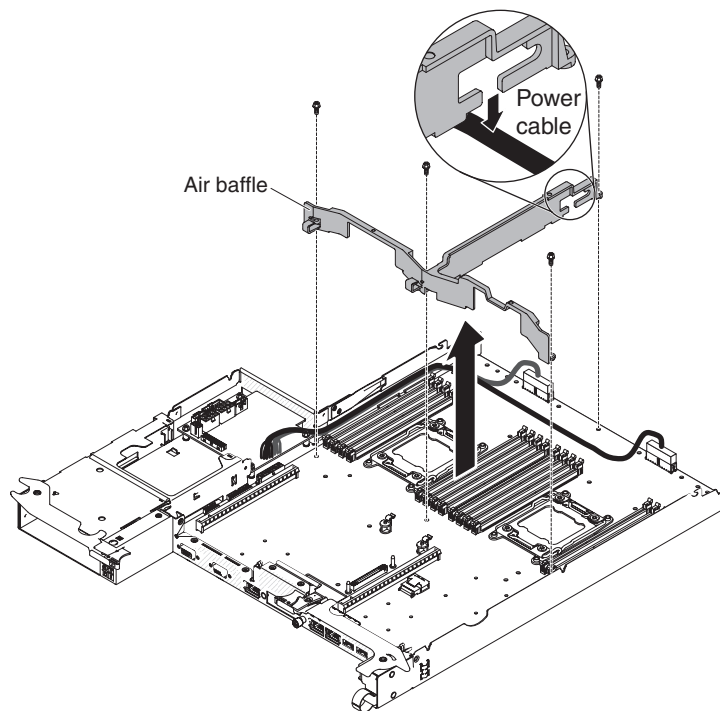
Removing and replacing Tier 1 CRUs

Replacement of Tier 1 CRUs is your responsibility. If IBM installs a Tier 1 CRU at your request, you will be charged for the installation.

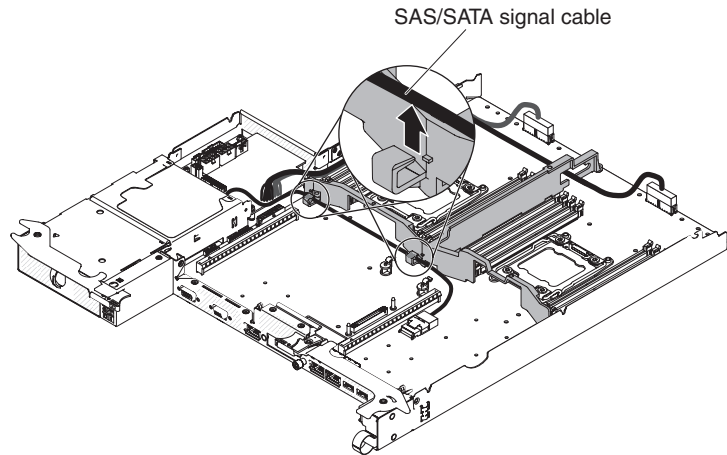
Note: The illustrations in this document might differ slightly from your hardware.

Removing the air baffle

To remove the air baffle, complete the following steps.



1. Read the safety information that begins on page vii and “Installation guidelines” on page 277.
2. Remove any installed system-board trays (see “Removing the system-board tray from a 2U chassis” on page 281).
3. Remove the top cover (see “Removing the system-board tray cover” on page 282).
4. Remove the four screws of the air baffle.
5. Separate the cables from the air baffle. In certain configurations, there are HDD cables routing across the board and hooked up to air baffle. Make sure these cables are removed from the air baffle.



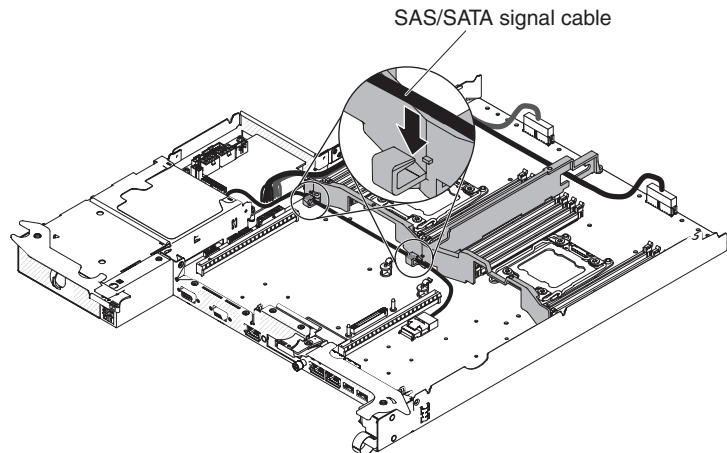
6. Lift the air baffle out of the server.

Attention: For proper cooling and airflow, replace all the air baffles before you turn on the server. Operating the server with any air baffle removed might damage server components.

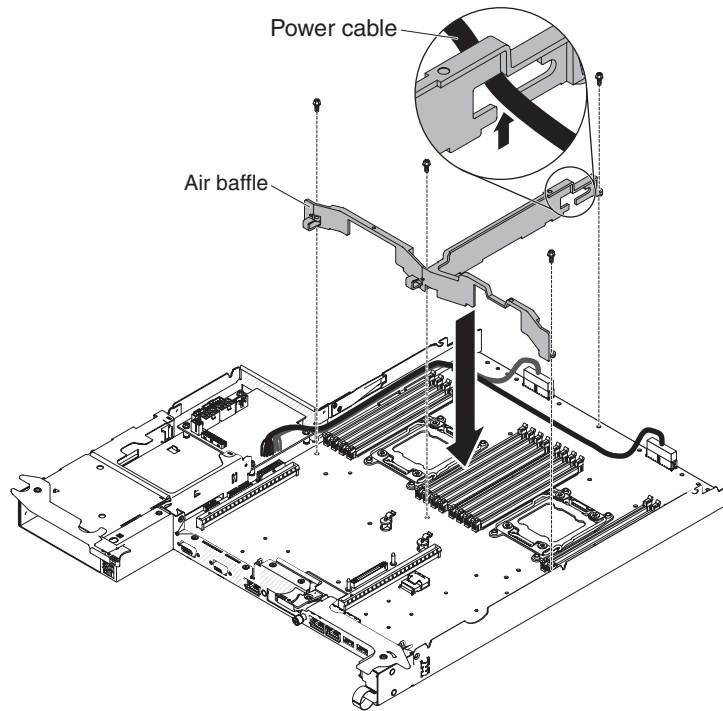
Installing the air baffle

To install the air baffle, complete the following steps.

1. Lower the air baffle into place. Hoop up the HDD cables routing across the board if applicable.



2. Make sure the power cable is underneath the air baffle.

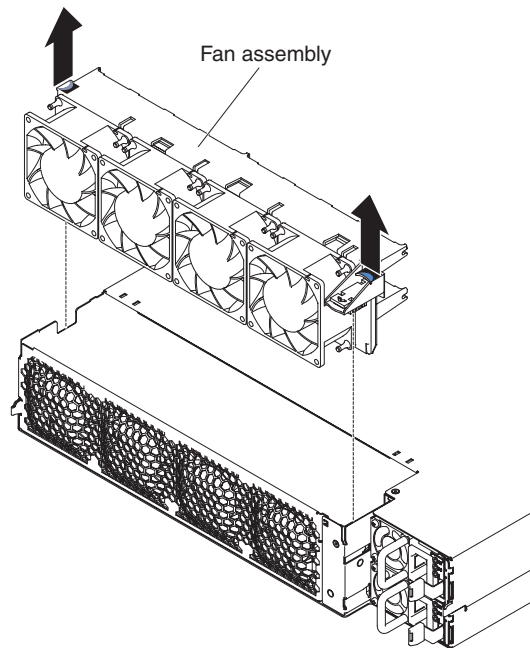


3. Install the four screws of the air baffle.
4. Install the top cover (see “Installing the system-board tray cover” on page 282).
5. Install any system-board trays that you removed (see “Installing the system-board tray in a 2U chassis” on page 281).

Attention: For proper cooling and airflow, replace all air baffles before you turn on the server. Operating the server with any air baffle removed might damage server components.

Removing the 2U chassis fan assembly

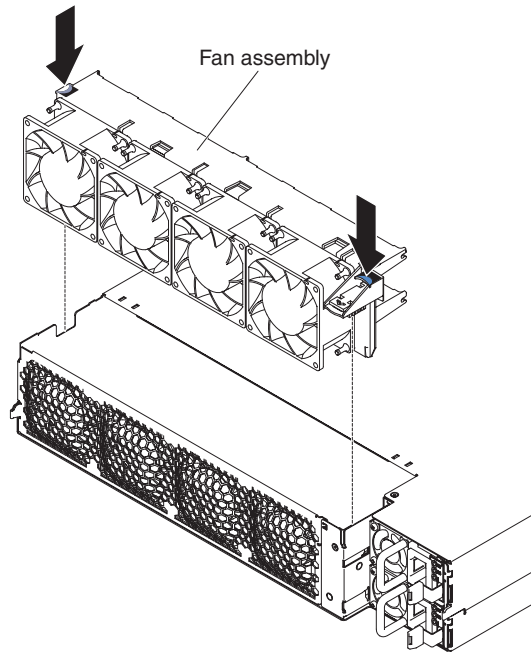
To remove the 2U chassis fan assembly, complete the following steps.



1. Read the safety information that begins on page vii and “Installation guidelines” on page 277.
2. If the chassis that contains the fan assembly is installed in a rack, remove it (see “Removing the 2U chassis from a rack” on page 286).
3. Remove any installed system-board trays (see “Removing the system-board tray from a 2U chassis” on page 281).
4. Remove the top cover (see “Removing the 2U chassis fan-assembly top cover” on page 285).
5. Grasp the tab at each end of the fan assembly and lift it out of the chassis.
6. If you are instructed to return the fan assembly, follow all packaging instructions, and use any packaging materials for shipping that are supplied to you.

Installing the 2U chassis fan assembly

To install the 2U chassis fan assembly, complete the following steps.



1. Touch the static-protective package that contains the fan assembly to any *unpainted* metal surface on the outside of the chassis; then, remove the fan assembly from the package.
2. Orient the fan assembly over the opening in the chassis. Make sure that the power connector on the fan assembly aligns with the connector on the power supply.
3. Lower the fan assembly into the chassis and press down on the tab above the power connector to make sure that it is fully seated.
4. Install the top cover (see “Installing the 2U chassis fan-assembly top cover” on page 285).
5. Install any system-board trays that you removed (see “Installing the system-board tray in a 2U chassis” on page 281).
6. Install the chassis in the iDataPlex rack, (see “Installing the 2U chassis in a rack” on page 287).

Removing the system battery

The following notes describe information that you must consider when replacing the battery:

- IBM has designed this product with your safety in mind. The lithium battery must be handled correctly to avoid possible danger. If you replace the battery, you must adhere to the following instructions.

Note: In the U. S., call 1-800-IBM-4333 for information about battery disposal.

- If you replace the original lithium battery with a heavy-metal battery or a battery with heavy-metal components, be aware of the following environmental consideration. Batteries and accumulators that contain heavy metals must not be

disposed of with normal domestic waste. They will be taken back free of charge by the manufacturer, distributor, or representative, to be recycled or disposed of in a proper manner.

- To order replacement batteries, call 1-800-IBM-SERV within the United States, and 1-800-465-7999 or 1-800-465-6666 within Canada. Outside the U.S. and Canada, call your support center or business partner.

Note: After you replace the battery, you must reconfigure the server and reset the system date and time.

Statement 2:



CAUTION:

When replacing the lithium battery, use only IBM Part Number 33F8354 or an equivalent type battery recommended by the manufacturer. If your system has a module containing a lithium battery, replace it only with the same module type made by the same manufacturer. The battery contains lithium and can explode if not properly used, handled, or disposed of.

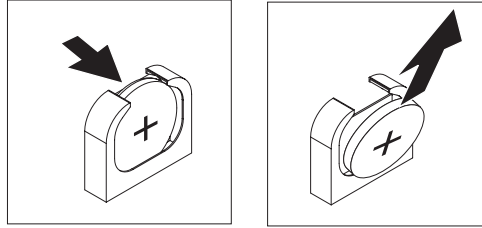
Do not:

- **Throw or immerse into water**
- **Heat to more than 100°C (212°F)**
- **Repair or disassemble**

Dispose of the battery as required by local ordinances or regulations.

To remove the system-board battery, complete the following steps:

1. Read the safety information that begins on page vii and “Installation guidelines” on page 277.
2. Turn off the server and peripheral devices.
3. Remove external cables.
4. If the system-board tray is installed in a chassis, remove it (see “Removing the system-board tray from a 2U chassis” on page 281).
5. Remove the cover (see “Removing the system-board tray cover” on page 282).
6. Remove the PCIe riser-card assembly, if one is installed (see “Removing a PCIe riser-card assembly from the system-board tray” on page 304).
7. Locate the battery on the system board (see “System-board internal connectors” on page 13).
8. Remove the system-board battery:
 - a. If there is a rubber cover on the battery holder, use your fingers to lift the battery cover from the battery connector.
 - b. Use one finger to push the battery horizontally toward from the PCI riser card and out of its housing.



- c. Use your thumb and index finger to lift the battery from the socket.

Attention: Do not lift the battery by using excessive force. Failing to remove the battery properly may damage the socket on the system board. Any damage to the socket may require replacing the system board.

9. Dispose of the battery as required by local ordinances or regulations. See the *IBM Environmental Notices and User's Guide on the IBM System x Documentation CD* for more information.

Installing the system battery

The following notes describe information that you must consider when replacing the system-board battery in the server.

- When replacing the system-board battery, you must replace it with a lithium battery of the same type from the same manufacturer.
- To order replacement batteries, call 1-800-426-7378 within the United States, and 1-800-465-7999 or 1-800-465-6666 within Canada. Outside the U.S. and Canada, call your IBM marketing representative or authorized reseller.
- After you replace the system-board battery, you must reconfigure the server and reset the system date and time.
- To avoid possible danger, read and follow the following safety statement.

Statement 2:



CAUTION:

When replacing the lithium battery, use only IBM Part Number 33F8354 or an equivalent type battery recommended by the manufacturer. If your system has a module containing a lithium battery, replace it only with the same module type made by the same manufacturer. The battery contains lithium and can explode if not properly used, handled, or disposed of.

Do not:

- **Throw or immerse into water**
- **Heat to more than 100°C (212°F)**
- **Repair or disassemble**

Dispose of the battery as required by local ordinances or regulations.

To install the replacement system-board battery, complete the following steps:

1. Follow any special handling and installation instructions that come with the replacement battery.

2. Read the safety information that begins on page vii and “Installation guidelines” on page 277.
3. Turn off the server and peripheral devices and disconnect all power cords; then, remove the cover (see “Removing the system-board tray cover” on page 282).
4. Remove the system battery (see “Removing the system battery” on page 292) if you have not done so.
5. Insert the new battery:
 - a. Tilt the battery so that you can insert it into the socket on the side opposite the battery clip.

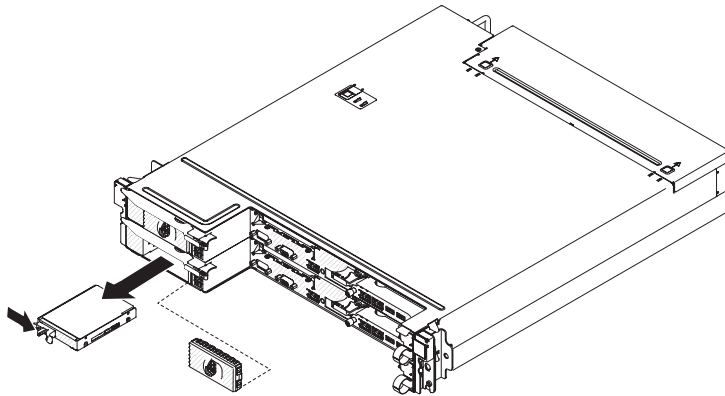


- b. Press the battery down into the socket until it clicks into place. Make sure that the battery clip holds the battery securely.
 - c. If you removed a rubber cover from the battery holder, use your fingers to install the battery cover on top of the battery connector.
6. If you removed the PCIe riser-card assembly, install it (see “Installing a PCI riser-card assembly on the system-board tray” on page 305).
7. Install the system-board tray cover (see “Installing the system-board tray cover” on page 282).
8. Install the system-board tray in the chassis (see “Installing the system-board tray in a 2U chassis” on page 281).
9. Reconnect the external cables; then, reconnect the power cords and turn on the peripheral devices and the server.
10. Start the Setup utility and reset the configuration.
 - Set the system date and time.
 - Set the power-on password.
 - Reconfigure the server.

See “Using the Setup utility” on page 347 for details.

Removing a simple-swap hard disk drive

You must turn off the server before removing simple-swap drives from the server. To remove a simple-swap hard disk drive or solid-state drive, complete the following steps.



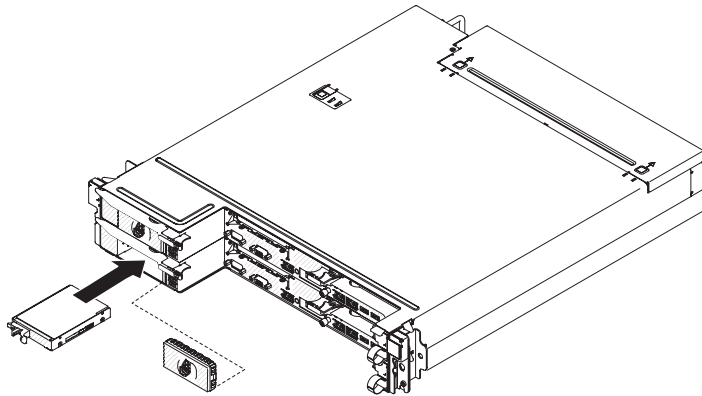
1. Read the safety information that begins on page vii and “Installation guidelines” on page 277.
2. If the system-board tray is operating, shut down the operating system; then, press the power-control button to turn off the system-board tray (see “Turning off the system-board tray” on page 12 for more information).
3. Remove the filler panel from the drive bay.
4. Slide the retention tab and pull the drive out of the drive bay.
5. If you are instructed to return the drive, follow all packaging instructions, and use any packaging materials for shipping that are supplied to you.

Installing a simple-swap hard disk drive

You must turn off the server before installing simple-swap drives in the server. Before you install a simple-swap hard disk drive, read the following information. For a list of supported hard disk drives, see <http://www.ibm.com/systems/info/x86servers/serverproven/compat/us/>.

- Locate the documentation that comes with the hard disk drive and follow those instructions in addition to the instructions in this chapter.
- Select the bay in which you want to install the drive.
- Check the instructions that come with the drive to determine whether you have to set any switches or jumpers on the drive. If you are installing a SATA device, be sure to set the SATA ID for that device.
- Do not install hot-swap drives into a simple-swap server model, it is not supported.
- The electromagnetic interference (EMI) integrity and cooling of the server are protected by having all bays and PCI and PCI Express slots covered or occupied. When you install a drive, PCI, or PCI Express adapter, save the EMC shield and filler panel from the bay or PCI or PCI Express adapter slot cover in the event that you later remove the device.
- For a complete list of supported optional devices for the server, see <http://www.ibm.com/systems/info/x86servers/serverproven/compat/us/>.

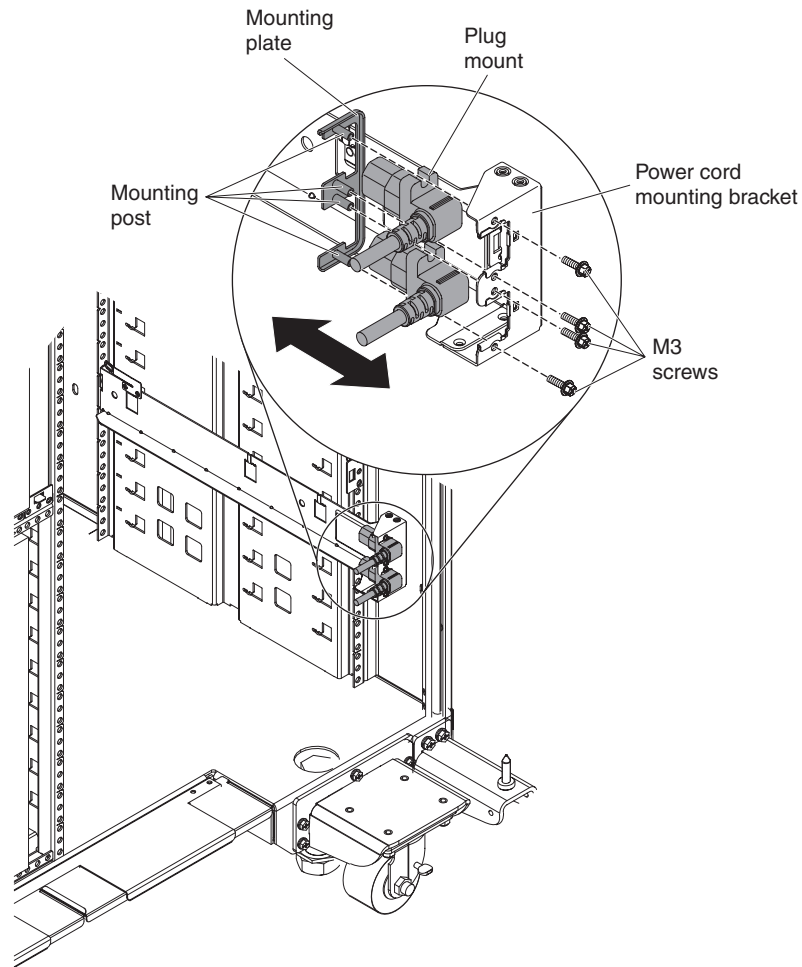
To install a simple-swap hard disk drive or solid-state drive, complete the following steps.



1. Read the safety information that begins on page vii and “Installation guidelines” on page 277.
2. Touch the static-protective package that contains the drive to any *unpainted* metal surface on the outside of the chassis or rack; then, remove the hard disk drive from the package.
Attention: Do not press on the top of the drive. Pressing the top might damage the drive.
3. Align the drive with the guide rails in the drive bay.
4. Slide the retention tab; then, carefully slide the drive into the bay until it stops, and release the retention tab.
5. Install the filler panel in the drive bay.
6. Turn on the system-board tray (see “Turning on the node” on page 11).

Removing the power cord from the rail with power cord mounting bracket

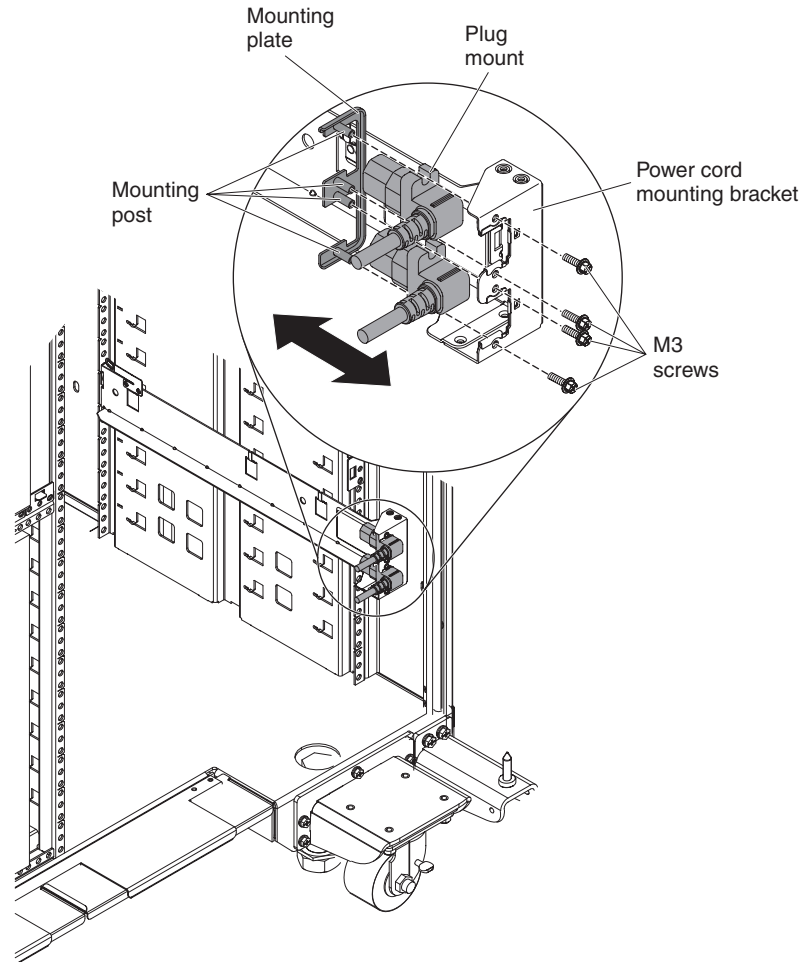
To remove the power cord, complete the following steps.



1. Read the safety information that begins on page vii and “Installation guidelines” on page 277.
2. If the 2U chassis is installed in a rack, remove the chassis from the rack (see “Removing the 2U chassis from a rack” on page 286).
3. Disconnect the power cord that you are working on from the PDU.
4. Use an M3 hex driver to remove the two screws from the rail, and set them aside.
5. Pull the mounting plate and power cord toward the front of the rack cabinet.
6. Separate the power cord from the mounting plate; then, set the mounting plate aside.
7. If you are instructed to return the power cord, follow all packaging instructions, and use any packaging materials for shipping that are supplied to you.

Installing the power cord to the rail with power cord mounting bracket

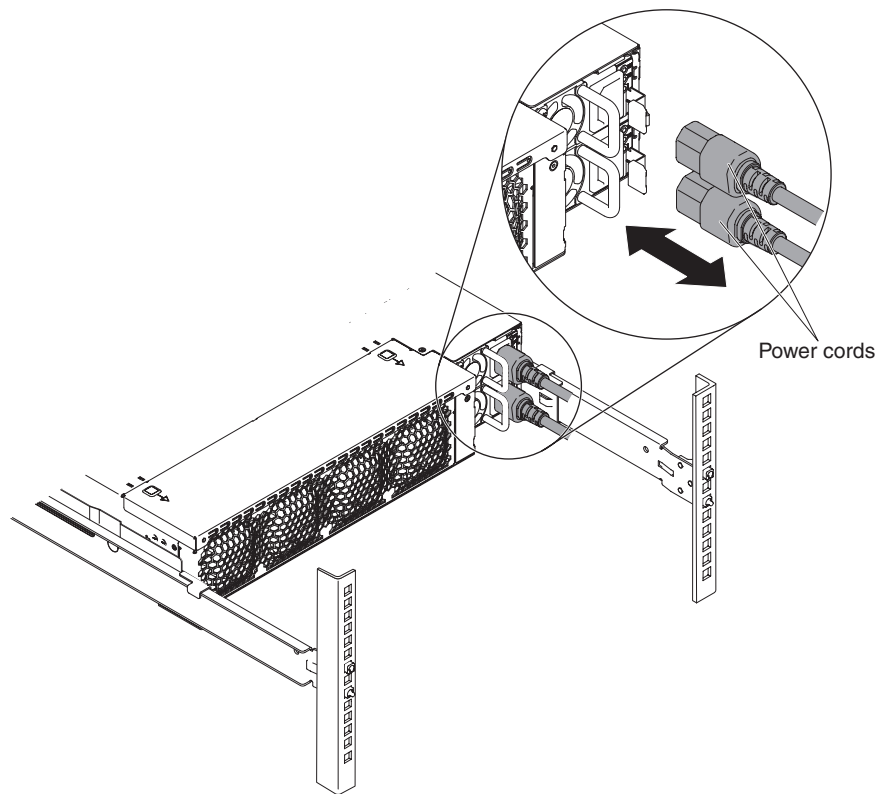
To install the power cord, complete the following steps:



1. Grasp the end of the power cord with the plug mount molded onto it in your right hand. Notice the shape of the plug and how it matches the cutout in the mounting plate.
2. Align the mounting posts on the mounting plate with the slots in the plug mount and install the power cord onto the mounting plate.
3. Position the entire assembly inside the left rail and align the mounting posts with the holes in the back of the mounting bracket on the rail.
4. Install the power cord and mounting plate with screws.
5. Connect the power cord that you are working on to a PDU.
6. Install the chassis in the iDataPlex rack (see “Installing the 2U chassis in a rack” on page 287).

Removing the power cord from the rail without power cord mounting bracket

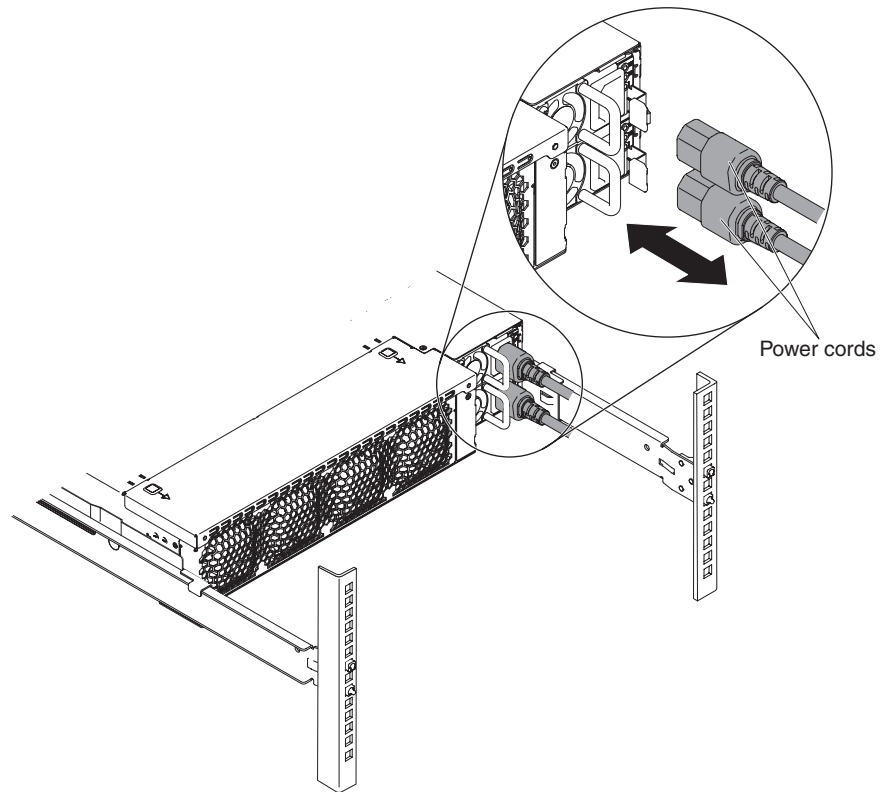
To remove the power cord, complete the following steps.



1. Read the safety information that begins on page vii and “Installation guidelines” on page 277.
2. Disconnect the power cord that you are working on from the PDU.
3. Remove the cable tie if any.
4. Pull the power cord toward the back of the rack cabinet.
5. If you are instructed to return the power cord, follow all packaging instructions, and use any packaging materials for shipping that are supplied to you.

Installing the power cord to the rail without power cord mounting bracket

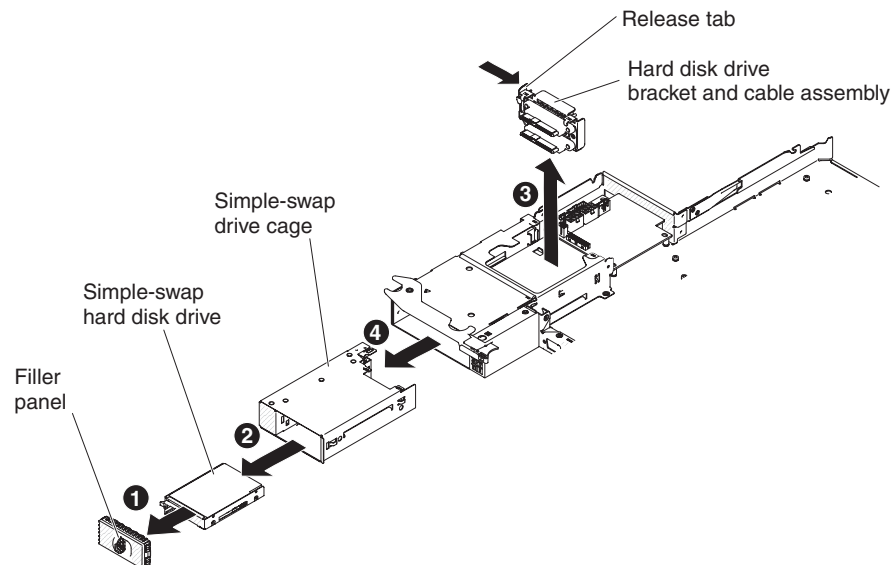
To install the power cord, complete the following steps:



1. Install the power cord and cable tie.
2. Connect the power cord that you are working on to a PDU.

Removing a simple-swap SAS/SATA drive cage

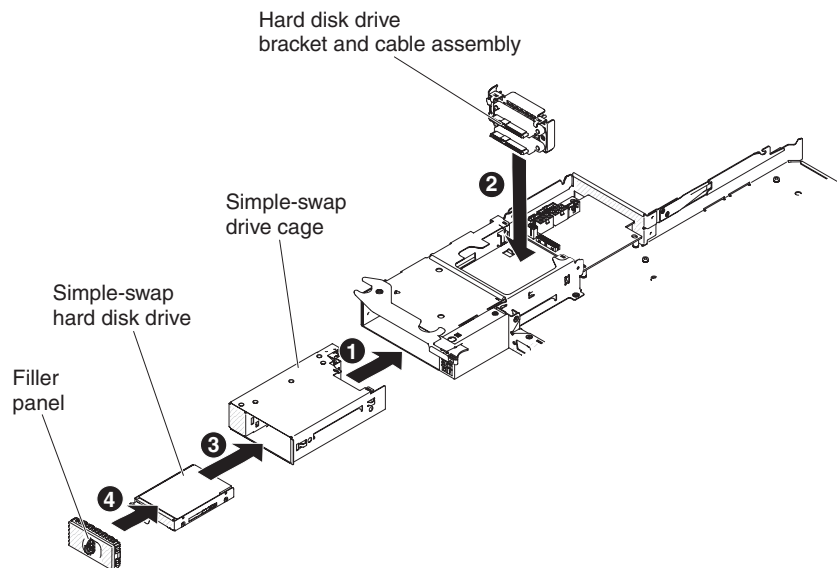
To remove a simple-swap SAS/SATA drive cage, complete the following steps.



1. Read the safety information that begins on page vii and “Installation guidelines” on page 277.
2. Make a note of where the drives that you plan to remove are installed; then, remove them (see “Removing a simple-swap hard disk drive” on page 295).
3. If the system-board tray is installed in a chassis, remove it (see “Removing the system-board tray from a 2U chassis” on page 281).
4. Remove the system-board tray cover (see “Removing the system-board tray cover” on page 282).
5. Press inward release latch on the hard disk drive bracket and cable assembly; then, lift the assembly off the mounting tabs and out of the system-board tray.
6. Push down on the release lever at the top of the drive bay; then, grasp the simple-swap SAS/SATA drive cage and pull it from the hard disk drive bay until the cage is out of the hard disk drive bay.
7. If you are instructed to return the simple-swap SAS/SATA drive cage, follow all packaging instructions, and use any packaging materials for shipping that are supplied to you.

Installing a simple-swap SAS/SATA drive cage

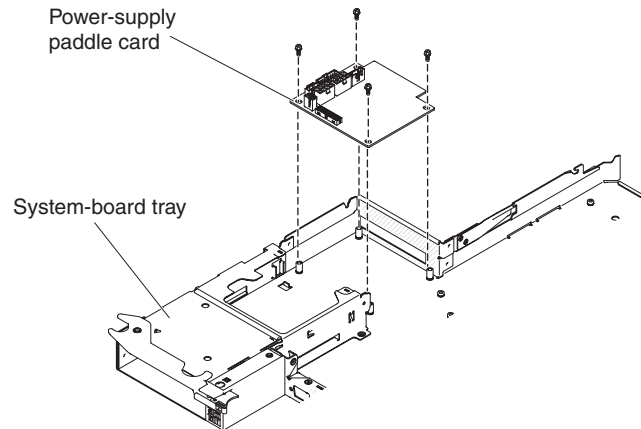
To install a simple-swap SAS/SATA drive cage, complete the following steps.



1. Slide the simple-swap SAS/SATA drive cage into the bay until the release lever secures the cage.
2. Place the hard disk drive bracket and cable assembly on the mounting tabs inside the tray; then, press down on the hard disk drive bracket and cable assembly until the release latch clicks into place.
3. Install the system-board tray cover (see “Installing the system-board tray cover” on page 282).
4. Install the system-board tray in the chassis (see “Installing the system-board tray in a 2U chassis” on page 281).
5. Install the hard disk drives, if you removed any (see “Installing a simple-swap hard disk drive” on page 296).
6. Install the filler panel to the hard disk drive bay.

Removing a power-supply paddle card from the tray

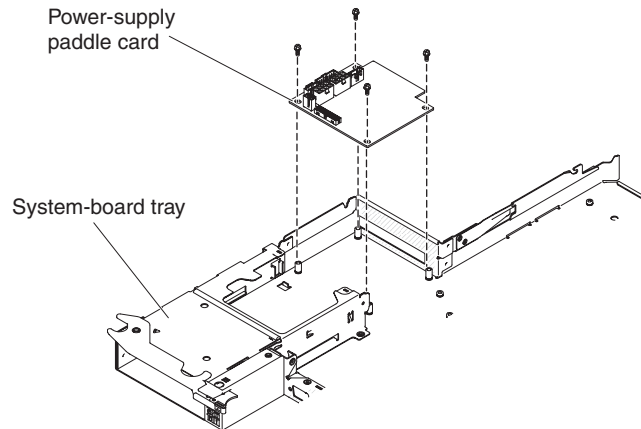
To remove a power-supply paddle card from the tray, complete the following steps.



1. Read the safety information that begins on page vii and “Installation guidelines” on page 277.
2. If the tray is installed in a chassis, remove it (see “Removing the system-board tray from a 2U chassis” on page 281).
3. Carefully set the tray on a flat, static-protective surface.
4. Remove the system-board tray cover (see “Removing the system-board tray cover” on page 282).
5. If any simple-swap drives are installed in the tray, complete the following steps:
 - a. Note the cable routing of the hard disk drive bracket and cable assembly cables; then, disconnect the cables.
 - b. Remove the hard disk drive bracket and cable assembly.
6. Make a note of where cables are attached to the power-supply paddle card; then, disconnect them.
7. Remove the four screws that secure the power-supply paddle card to the tray and save them for future use.
8. Lift the power-supply paddle card out of the tray.
9. If you are instructed to return the power-supply paddle card, follow all packaging instructions, and use any packaging materials for shipping that are supplied to you.

Installing a power-supply paddle card in the tray

To install a power-supply paddle card in the tray, complete the following steps.

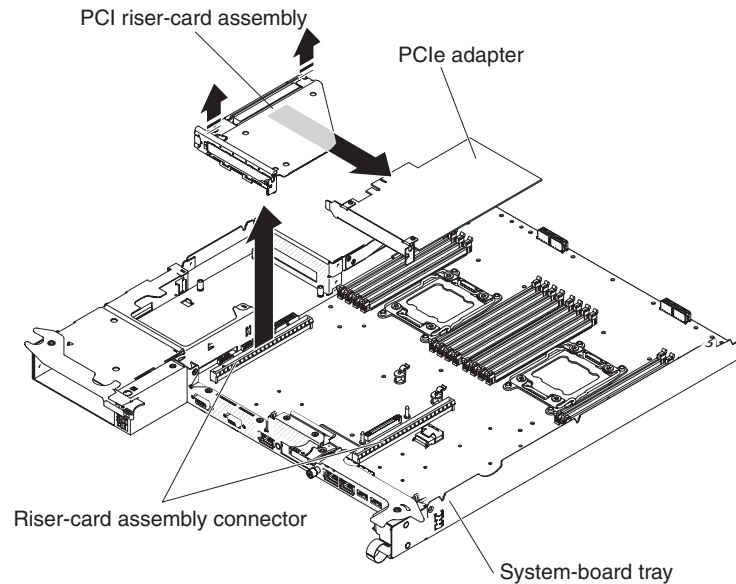


1. Touch the static-protective package that contains the power-supply paddle card to any *unpainted* metal surface on the outside of the tray; then, remove the power-supply paddle card from the package.
2. Place the power-supply paddle card on the mounting studs in the tray and install the four screws.
3. Reconnect the power-supply paddle card cables.
4. Install the simple-swap drives, if you removed any. Complete the following steps:
 - a. Install the hard disk drive bracket and cable assembly.
 - b. Reconnect the hard disk drive bracket and cable assembly cables.
 - c. Install the hard disk drive (see “Installing a simple-swap hard disk drive” on page 296).
5. Install the system-board tray cover (see “Installing the system-board tray cover” on page 282).
6. Install the system-board tray in the chassis (see “Installing the system-board tray in a 2U chassis” on page 281).

Removing a PCIe riser-card assembly from the system-board tray

Note: PCI riser-card brackets must be installed even if you do not install an adapter.

To remove a PCI riser-card assembly from the system-board tray, complete the following steps:



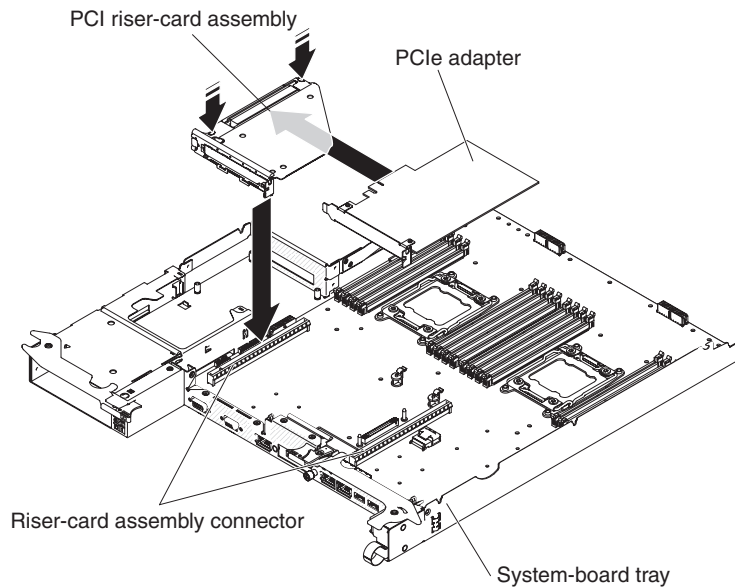
1. Read the safety information that begins on page vii and the “Installation guidelines” on page 277.
2. If the system-board tray is installed in a chassis, remove it (see “Removing the system-board tray from a 2U chassis” on page 281).
3. Remove the system-board tray cover (see “Removing the system-board tray cover” on page 282).
4. Pull the PCIe riser-card assembly out of the riser-card slot on the system board.
5. Remove the adapter installed on the PCIe riser-card assembly (see “Removing a PCIe riser-card assembly from the system-board tray” on page 304).
6. If you are instructed to return the PCIe riser-card assembly, follow all packaging instructions, and use any packaging materials for shipping that are supplied to you.

Installing a PCI riser-card assembly on the system-board tray

Notes:

1. PCI riser-card brackets must be installed even if you do not install an adapter.
2. You must install a ServeRAID adapter in PCI riser-card assembly 2.

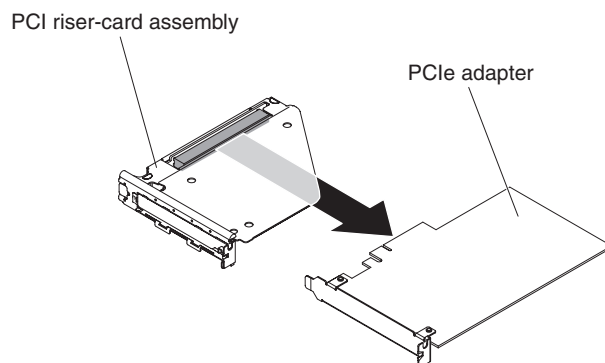
To install a PCI riser-card assembly on the system-board tray, complete the following steps:



1. Read the safety information that begins on page vii and the “Installation guidelines” on page 277.
2. Touch the static-protective package that contains the PCIe riser-card assembly to any *unpainted* metal surface on the outside of the system-board tray; then, remove the PCIe riser-card assembly from the package.
3. Install the PCIe adapter, if you removed one (see “Installing an adapter” on page 307).
4. Press the PCIe riser-card assembly into the riser-card slot on the system board.
5. Install the system-board tray cover (see “Installing the system-board tray cover” on page 282).
6. Install the system-board tray in the chassis (see “Installing the system-board tray in a 2U chassis” on page 281).

Removing a PCIe adapter from a PCI riser-card assembly

To remove a PCIe adapter from a PCI riser-card assembly, complete the following steps:



1. Read the safety information that begins on page vii and “Installation guidelines” on page 277.

2. Make a note of where cables are attached to the adapter; then, disconnect the cables.
3. (If you are moving an adapter from the GPGPU enclosure, skip this step) Remove a PCIe riser-card assembly from the system-board tray (see “Removing a PCIe riser-card assembly from the system-board tray” on page 304).
4. Pull the adapter out of the connector on the PCIe riser-card assembly.

Note: Make sure that the adapter is pulled out carefully. Improper removal of the adapter might damage the PCIe riser-card assembly or the adapter.

5. If you are instructed to return the adapter, follow all packaging instructions, and use any packaging materials for shipping that are supplied to you.

Installing an adapter

Notes:

1. The maximum power consumption from all supply voltages for a single PCIe slot is the same as specified in PCI Local Bus Specification Revision 2.3 for conventional slots.
2. To ensure that an adapter works correctly in your uEFI-based server, make sure that the adapter firmware is at the latest level.

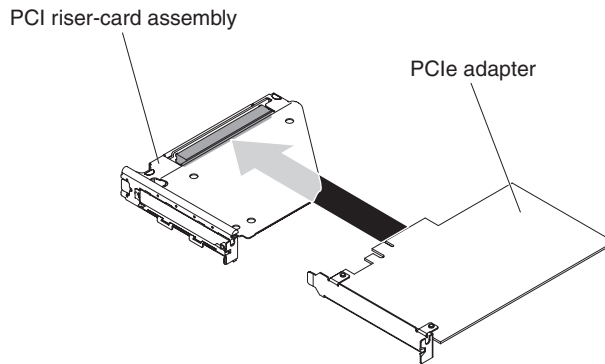
Important: Some cluster solutions require specific code levels or coordinated code updates. If the device is part of a cluster solution, verify that the latest level of code is supported for the cluster solution before you update the code.

3. Do not install the NVIDIA Grid Kx/Mxx, the NVIDIA Quadro Kxxxx or the NVIDIA Tesla Kxx adapter options in systems containing 1 TB of system memory or more. If these options are installed in systems with 1 TB of memory or more, it might cause undetected data corruption and system instability. These options are only supported in systems containing less than 1 TB of memory. For more information, see RETAIN tip H213010 at <http://www.ibm.com/support/entry/myportal/docdisplay?Indocid=migr-5096047>.
4. All General Purpose Graphics Processing Unit (GPGPU) adapters installed in the server must be the same. They must be identical in brand and type. When you install additional GPGPUs, make sure you purchase GPGPUs with the same product part number as shown on the existing GPGPUs in the server.

The following notes describe the types of adapters that the server supports and other information that you must consider when you install an adapter:

- Locate the documentation that comes with the adapter and follow those instructions in addition to the instructions in this section.
- The server provides two PCI riser-card slots on the system board. For configuration information, see the ServeRAID documentation at <http://www.ibm.com/supportportal/>.

Installing an adapter in the system-board tray



To install an adapter to a PCI riser-card assembly, complete the following steps:

1. Read the safety information that begins on page vii and the “Installation guidelines” on page 277.
2. Touch the static-protective package that contains the adapter to any *unpainted* metal surface on the outside of the system-board tray; then, remove the adapter from the package. Avoid touching the components and gold-edge connectors on the adapter.
3. See the documentation that comes with the adapter to determine whether you must set any jumpers or switches.
4. Align the adapter with the PCIe slot on the riser-card assembly; then, press the adapter into the slot.

Notes:

- a. Ensure that the tab on the riser-card bracket is properly aligned with the slot on the adapter bracket.
 - b. Make sure that the adapter is inserted carefully. Improper installation of the adapter might damage the PCIe riser-card assembly or the adapter.
5. If you disconnected cables when you removed the adapter, reconnect the cables.
 6. Install a PCIe riser-card assembly on the system-board tray (see “Installing a PCI riser-card assembly on the system-board tray” on page 305).
 7. Install the GPGPU enclosure, if you removed one (see “Installing a GPGPU enclosure” on page 284); otherwise, install the system-board tray cover (see “Installing the system-board tray cover” on page 282).
 8. Install the system-board tray in the chassis (see “Installing the system-board tray in a 2U chassis” on page 281).

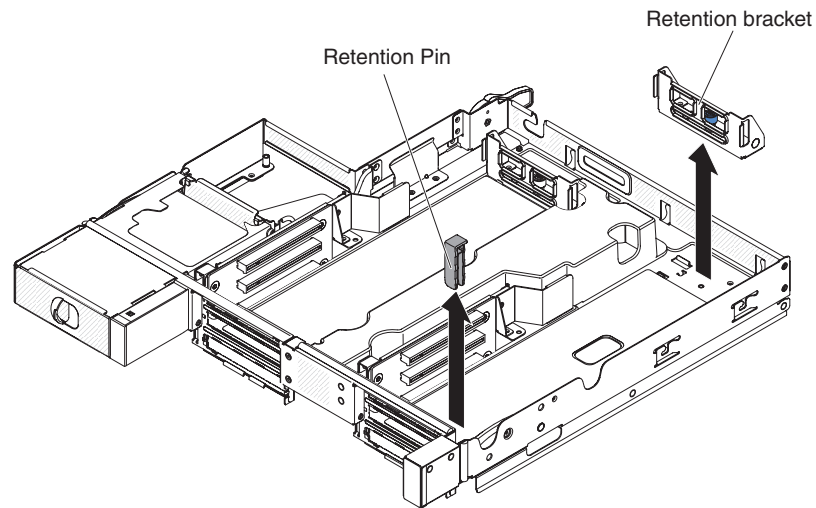
Note: To complete the installation of the PCIe adapter, see the documentation that comes with the adapter for device-driver and configuration information.

Installing an adapter in the GPGPU enclosure (PCI slot 3 or slot 4)

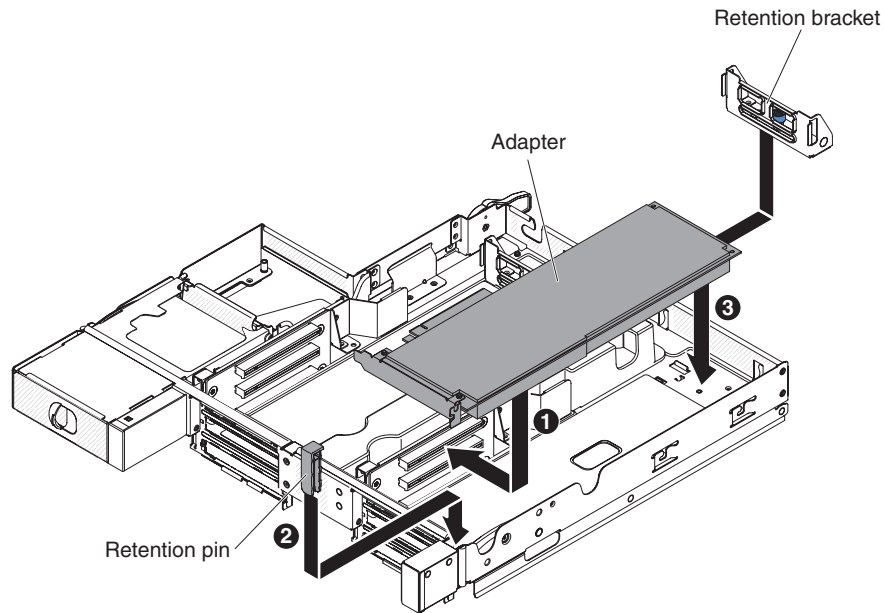
Note: The PCI riser card is part of an optional GPGPU enclosure; the riser card and adapters are attached to the GPGPU enclosure. This procedure assumes that a GPGPU enclosure is already installed on the system-board tray.

To install an adapter in a PCI riser card, complete the following steps:

1. Read the safety information that begins on page vii and the “Installation guidelines” on page 277.
2. Turn off the system-board tray and peripheral devices and disconnect the power cords and all external cables, if necessary (see “Turning off the system-board tray” on page 12).
3. If the system-board tray is installed in a chassis, remove it (see “Removing the system-board tray from a 2U chassis” on page 281).
4. Remove retention pin and bracket from the GPGPU enclosure.



5. Touch the static-protective package that contains the adapter that you are installing to any *unpainted* metal surface on the chassis or rack; then, remove the adapter from the static-protective package. Avoid touching the components and gold-edge connectors on the adapter.
6. Follow the instructions that come with the adapter to set any jumpers or switches.
7. If any cables must be connected to an adapter, connect them. Route these cables through the hole at the side of the GPGPU enclosure.
8. Align the adapter with PCIe slot on the riser-card; then press the adapter down and forward until the gold fingers stop at the slot on the riser card. Do not lift the card during this step. Push the card gently into the slot.



9. Install retention pin and bracket into the GPGPU enclosure.
10. Connect cables to the power board on the system-board tray if necessary.
11. Install the GPGPU enclosure (see “Installing a GPGPU enclosure” on page 284).
12. Install the system-board tray in the chassis (see “Installing the system-board tray in a 2U chassis” on page 281).

Note: To complete the installation of the PCIe adapter, see the documentation that comes with the adapter for device-driver and configuration information.

Installing an adapter in the GPGPU enclosure (PCI slot 1 or slot 2)

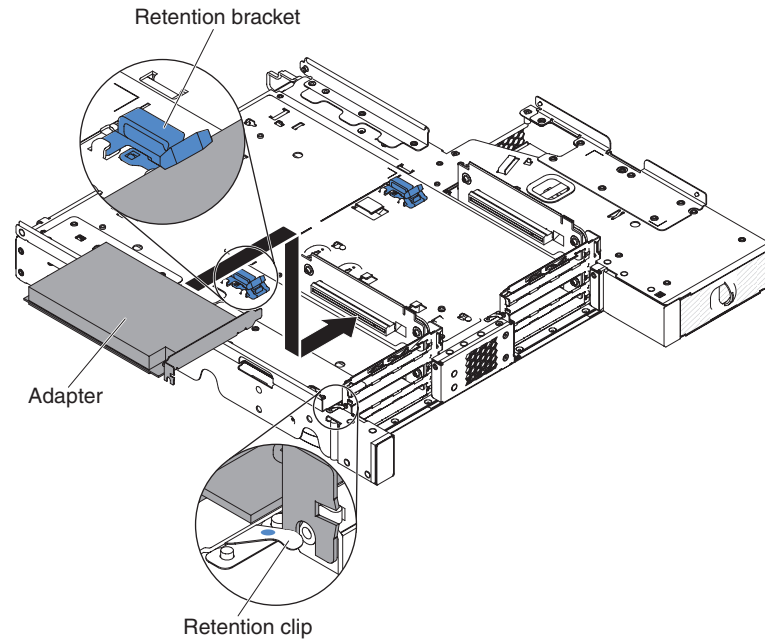
Note: The PCI riser card is part of an optional GPGPU enclosure; the riser card and adapters are attached to the GPGPU enclosure. This procedure assumes that a GPGPU enclosure is already installed on the system-board tray.

This topic describes installing an adapter in a PCI expansion slot to PCI riser-card assembly for PCI slot 1 or slot 2 (with GPGPU enclosure installed).

To install an adapter, complete the following steps.

1. Read the safety information that begins on page vii and the “Installation guidelines” on page 277.
2. Turn off the system-board tray and peripheral devices and disconnect the power cords and all external cables, if necessary (see “Turning off the system-board tray” on page 12).
3. If the system-board tray is installed in a chassis, remove it (see “Removing the system-board tray from a 2U chassis” on page 281).
4. Remove the GPGPU enclosure (see “Removing a GPGPU enclosure” on page 283) and set it upside down on a flat, static-protective surface.
5. Carefully put the GPGPU enclosure upside down so the adapters can be installed under the GPGPU enclosure.
6. Align the adapter with the PCI connector on the riser card and the guide on the external end of the riser card. Press the retention clip and put the adapter

through so the adapter is held inside the retention clip. Make sure the adapter is mounted by the retention bracket. Press the adapter firmly into the PCI connector on the riser card.



7. Connect the cables to the adapter.
8. Carefully put the GPGPU enclosure from the upside down position to the normal position.
9. Connect the cables to the system-board tray.

Attention:

- Make sure that cables are not routed on top of the server components nor block any connectors.
 - Make sure that cables are not pinched by the server components.
10. Install the GPGPU enclosure (see “Installing a GPGPU enclosure” on page 284).
 11. Install the system-board tray in the chassis (see “Installing the system-board tray in a 2U chassis” on page 281).

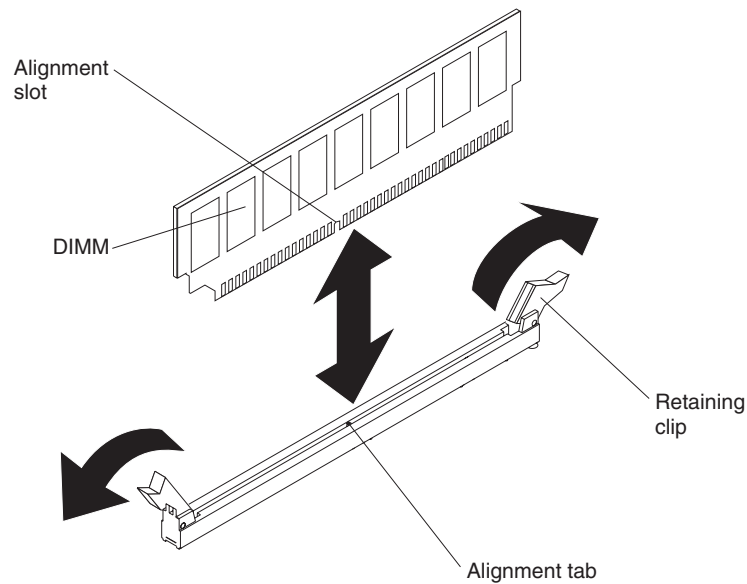
Note: To complete the installation of the PCIe adapter, see the documentation that comes with the adapter for device-driver and configuration information.

Removing a memory module

To remove a dual inline memory module (DIMM), complete the following steps:

1. Read the safety information that begins on page vii and “Installation guidelines” on page 277.
2. Turn off the server and peripheral devices and disconnect all power cords.
3. If the system-board tray is installed in a chassis, remove it (see “Removing the system-board tray from a 2U chassis” on page 281).
4. Remove the system-board tray cover (see “Removing the system-board tray cover” on page 282).
5. Carefully open the retaining clips on each end of the DIMM connector and remove the DIMM.

Attention: To avoid breaking the retaining clips or damaging the DIMM connectors, open and close the clips gently.



6. If you are instructed to return the DIMM, follow all packaging instructions, and use any packaging materials for shipping that are supplied to you.

Installing a memory module

The following notes describe the types of DIMMs that the server supports and other information that you must consider when you install DIMMs.

- When you install or remove DIMMs, the server configuration information changes. When you restart the server, the system displays a message that indicates that the memory configuration has changed.
- The server supports only industry-standard double-data-rate 3 (DDR3), 800, 1066, or 1333 MHz, PC3-6400, PC3-8500, or PC3-10600 registered or unbuffered, synchronous dynamic random-access memory (SDRAM) dual inline memory modules (DIMMs) with error correcting code (ECC). See <http://www.ibm.com/servers/eserver/serverproven/compat/us/> for a list of supported memory modules for the server.
- The specifications of a DDR3 DIMM are on a label on the DIMM, in the following format.

ggggg eRxff PC3v-wwwwwm-aa-bb-ccd

where:

ggggg is the total capacity of the DIMM (for example, 256MB, 512MB, 1GB, 2GB, or 4GB)

eR is the number of ranks

1R = single-rank

2R = dual-rank

4R = quad-rank

xff is the device organization (bit width)

x4 = x4 organization (4 DQ lines per SDRAM)

x8 = x8 organization

x16 = x16 organization

v is the SDRAM and support component supply voltage (VDD)

Blank = 1.5 V specified

L = 1.35 V specified, 1.5 V operable

Note: Values for these voltages are 'specified' which means the device characteristics such as timing are supported at this voltage. Values are 'operable' which means that the devices can be operated safely at this voltage. However, device characteristics such as timing may not be guaranteed. All devices must be 'tolerant' of the highest DDR3 nominal voltage of 1.5 V, meaning that they may not operate at 1.5 V but may be powered at that voltage without damage to the devices.

www is the DIMM bandwidth, in MBps

6400 = 6.40 GBps (DDR3-800 SDRAMs, 8-byte primary data bus)

8500 = 8.53 GBps (DDR3-1066 SDRAMs, 8-byte primary data bus)

10600 = 10.66 GBps (DDR3-1333 SDRAMs, 8-byte primary data bus)

12800 = 12.80 GBps (DDR3-1600 SDRAMs, 8-byte primary data bus)

14900 = 14.90 GBps (DDR3-1866 SDRAMs, 8-byte primary data bus)

m is the DIMM type

E = Unbuffered DIMM (UDIMM) with ECC (x72-bit module data bus)

L = Load Reduction DIMM (LRDIMM)

R = Registered DIMM (RDIMM)

U = Unbuffered DIMM with no ECC (x64-bit primary data bus)

aa is the CAS latency, in clocks at maximum operating frequency

bb is the JEDEC SPD Revision Encoding and Additions level

cc is the reference design file for the design of the DIMM

d is the revision number of the reference design of the DIMM

Note: To determine the type of a DIMM, see the label on the DIMM. The information on the label is in the format *xxxxx nRxxx PC3v-xxxxxx-xx-xx-xxx*. The numeral in the sixth numerical position indicates whether the DIMM is single-rank (*n*=1), dual-rank (*n*=2), or quad-rank (*n*=4).

- The following rules apply to DDR3 DIMM speed as it relates to the number of DIMMs in a channel:
 - When you install 1 DIMM per channel, the memory runs at 1333 MHz
 - When you install 2 DIMMs per channel, the memory runs at 1066 MHz
 - All channels in a server run at the fastest common frequency
 - Do not install registered, unbuffered, and load reduction DIMMs in the same server
- The maximum memory speed is determined by the combination of the microprocessor, DIMM speed, and the number of DIMMs installed in each channel.
- In two-DIMM-per-channel configuration, a server with an Intel Xeon™ E5-2600 series microprocessor automatically operates with a maximum memory speed of up to 1333 MHz when the following condition is met:
 - Two 1.35 V single-rank, dual-rank, or quad-rank UDIMMs, RDIMMs or LRDIMMs are installed in the same channel. In the Setup utility, **Memory speed** is set to **Max performance** and **LV-DIMM power** is set to **Enhance performance** mode. The 1.35 V UDIMMs, RDIMMs or LRDIMMs will function at 1.5 V.
- The server supports a maximum of 16 single-rank, dual-rank UDIMMs/RDIMMs. The server supports up to two UDIMMs/RDIMMs per channel.

- The following table shows an example of the maximum amount of memory that you can install using ranked DIMMs:

Table 10. Maximum memory installation using ranked DIMMs

Number of DIMMs	DIMM type	DIMM size	Total memory
16	Single-rank UDIMMs	2 GB	32 GB
16	Single-rank RDIMMs	2 GB	32 GB
16	Single-rank RDIMMs	4 GB	64 GB
16	Dual-rank UDIMMs	4 GB	64 GB
16	Dual-rank RDIMMs	4 GB	64 GB
16	Dual-rank RDIMMs	8 GB	128 GB
16	Quad-rank LRDIMMs	32 GB	512 GB

- The UDIMM option that is available for the server are 2 GB and 4 GB. The server supports a minimum of 2 GB and a maximum of 64 GB of system memory using UDIMMs.
- The RDIMM options that are available for the server are 2 GB, 4 GB, and 8 GB. The server supports a minimum of 2 GB and a maximum of 128 GB of system memory using RDIMMs.
- The LRDIMM option that is available for the server is 32 GB. The server supports a minimum of 32 GB and a maximum of 512 GB of system memory using LRDIMMs.

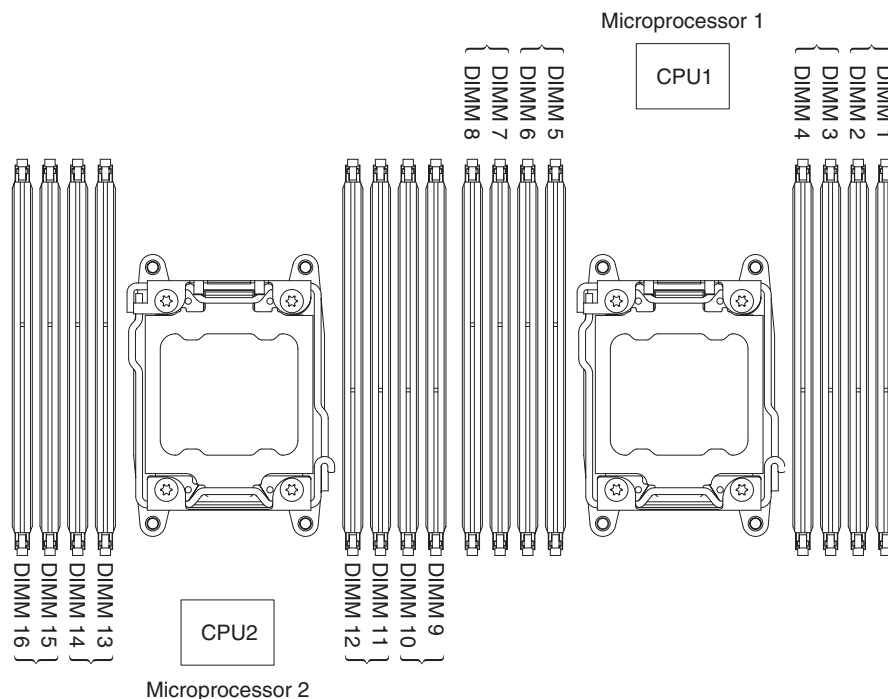
Note: The amount of usable memory is reduced depending on the system configuration. A certain amount of memory must be reserved for system resources. To view the total amount of installed memory and the amount of configured memory, run the Setup utility. For additional information, see “Configuring the server” on page 344.

- A minimum of one DIMM must be installed for each microprocessor. For example, you must install a minimum of two DIMMs if the server has two microprocessors installed. However, to improve system performance, install a minimum of four DIMMs for each microprocessor.
- DIMMs in the server must be the same type (RDIMM or UDIMM) to ensure that the server will operate correctly.
- When you install one quad-rank DIMM in a channel, install it in the DIMM connector furthest away from the microprocessor.

Notes:

1. You can install DIMMs for microprocessor 2 as soon as you install microprocessor 2; you do not have to wait until all of the DIMM slots for microprocessor 1 are filled.
2. DIMM slots 9-16 are reserved for microprocessor 2; thus, DIMM slots 9-16 are enabled when microprocessor 2 is installed.

The following illustration shows the location of the DIMM connectors on the system board.



DIMM installation sequence

Depending on the server model, the server may come with a minimum of one 2 GB or 4 GB DIMM installed in slot 1. When you install additional DIMMs, install them in the order shown in the following table to optimize system performance. In non-mirroring mode, all three channels on the memory interface for each microprocessor can be populated in any order and have no matching requirements.

Table 11. Non-mirroring (normal) mode DIMM installation sequence

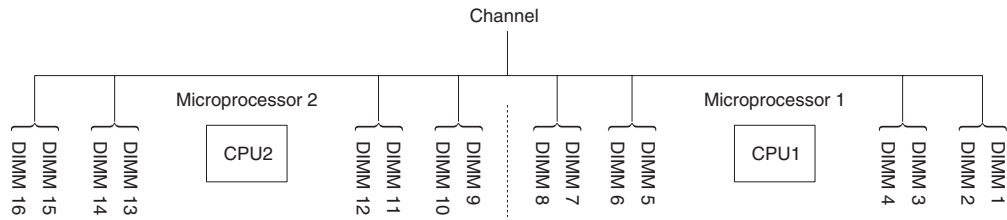
Number of installed microprocessor	DIMM connector population sequence
One microprocessor installed	1, 8, 3, 6, 2, 7, 4, 5
Two microprocessors installed	1, 9, 8, 16, 3, 11, 6, 14, 2, 10, 7, 15, 4, 12, 5, 13

Memory mirrored channel

Memory mirrored channel replicates and stores data on two pairs of DIMMs within two channels simultaneously. If a failure occurs, the memory controller switches from the primary pair of memory DIMMs to the backup pair of DIMMs. To enable memory mirrored channel through the Setup utility, select **System Settings** → **Memory**. For more information, see “Using the Setup utility” on page 347. When you use the memory mirrored channel feature, consider the following information:

- When you use memory mirrored channel, you must install a pair of DIMMs at a time. The two DIMMs in each pair must be identical in size, type, and rank (single, dual, or quad), and organization, but not in speed. The channels run at the speed of the slowest DIMM in any of the channels.
- The maximum available memory is reduced to half of the installed memory when memory mirrored channel is enabled. For example, if you install 64 GB of memory using RDIMMs, only 32 GB of addressable memory is available when you use memory mirrored channel.

The following diagram lists the DIMM connectors on each memory channel.



The following table shows the memory channel interface layout with the DIMM installation sequence for memory mirrored channel:

Table 12. Memory channel interface layout

Memory channel	DIMM connector
Channel 0	7, 8, 15, 16
Channel 1	5, 6, 13, 14
Channel 2	1, 2, 9, 10
Channel 3	3, 4, 11, 12

The following table shows the installation sequence for memory-mirroring mode:

Table 13. Memory mirroring mode DIMM population sequence

Number of installed microprocessor	DIMM connector in pair
Microprocessor 1 (1 CPU only)	1, 3-> 6, 8-> 2, 4-> 5, 7
Microprocessor 1 and microprocessor 2	1, 3, 9, 11-> 6, 8, 14, 16-> 2, 4, 10, 12-> 5, 7, 13, 15

Memory rank sparing

The memory rank sparing feature disables the failed memory from the system configuration and activates a rank sparing DIMM to replace the failed active DIMM. You can enable either memory rank sparing or memory mirrored channel in the Setup utility (see “Using the Setup utility” on page 347). When you use the memory rank sparing feature, consider the following information:

- The memory rank sparing feature is supported on server models with an Intel Xeon™ E5-2600 series microprocessor.
- When you enable the memory rank sparing feature, you must install two or three DIMMs on the same channel per microprocessor at a time. The first two DIMMs must be in the same channel. The sparing DIMM must be identical or larger in size, type, rank, and organization, but not in speed. The channels run at the speed of the slowest DIMM in any of the channels.
- The maximum available memory is reduced to two-thirds or one-half of the installed memory when memory rank sparing mode is enabled.

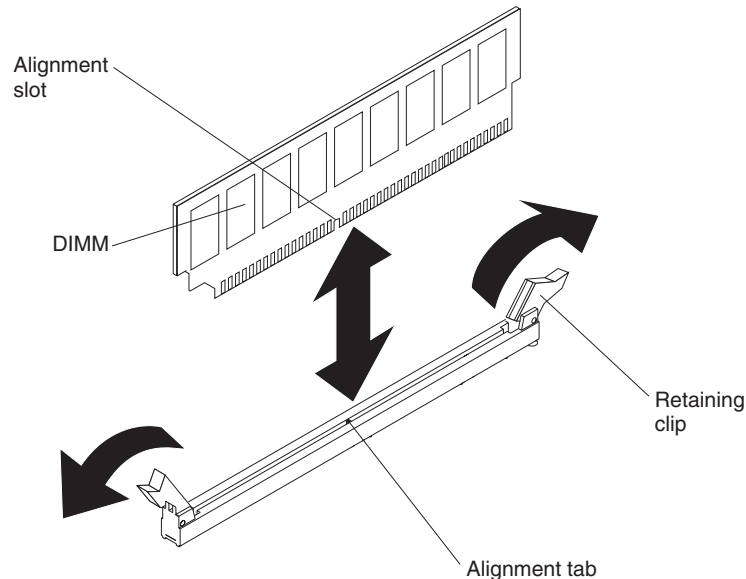
Installing a DIMM

To install a DIMM, complete the following steps:

1. Read the safety information that begins on page vii and “Installation guidelines” on page 277.
2. Turn off the server and peripheral devices and disconnect the power cords and all external cables, if necessary.

3. If the system-board tray is installed in a chassis, remove it (see “Removing the system-board tray from a 2U chassis” on page 281).
4. Remove the system-board tray cover (see “Removing the system-board tray cover” on page 282).
5. Open the retaining clip on each end of the DIMM connector.

Attention: To avoid breaking the retaining clips or damaging the DIMM connectors, open and close the clips gently.



6. Touch the static-protective package that contains the DIMM to any unpainted metal surface on the outside of the server. Then, remove the DIMM from the package.
7. Turn the DIMM so that the alignment slot align correctly with the alignment tab.
8. Insert the DIMM into the connector by aligning the edges of the DIMM with the slots at the ends of the DIMM connector.
9. Firmly press the DIMM straight down into the connector by applying pressure on both ends of the DIMM simultaneously. The retaining clips snap into the locked position when the DIMM is firmly seated in the connector.

Note: If there is a gap between the DIMM and the retaining clips, the DIMM has not been correctly inserted; open the retaining clips, remove the DIMM, and then reinsert it.

10. Reconnect the power cords and any cables that you removed.
11. Install the system-board tray cover (see “Installing the system-board tray cover” on page 282).
12. Install the system-board tray in the chassis (see “Installing the system-board tray in a 2U chassis” on page 281).
13. Turn on the peripheral devices and the server.

Removing a power supply from a 2U chassis

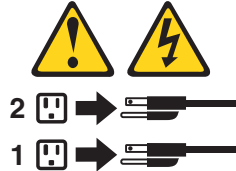
When you remove or install a power supply from/to a 2U chassis, observe the following precautions.

Statement 5:



CAUTION:

The power control button on the device and the power switch on the power supply do not turn off the electrical current supplied to the device. The device also might have more than one power cord. To remove all electrical current from the device, ensure that all power cords are disconnected from the power source.



Statement 8:



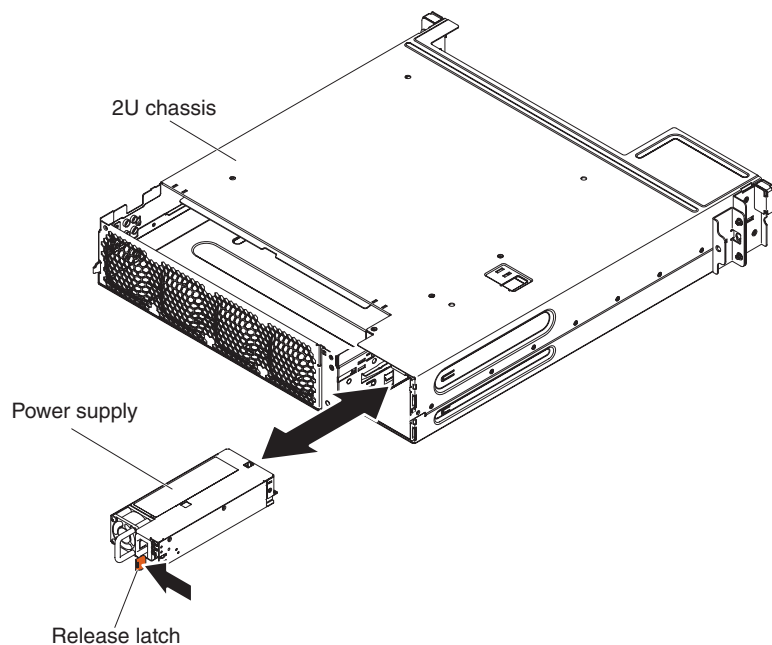
CAUTION:

Never remove the cover on a power supply or any part that has the following label attached.



Hazardous voltage, current, and energy levels are present inside any component that has this label attached. There are no serviceable parts inside these components. If you suspect a problem with one of these parts, contact a service technician.

To remove a power supply from a 2U chassis, complete the following steps:



1. Read the safety information that begins on page vii and “Installation guidelines” on page 277.
2. If the chassis that contains the power supply is installed in an iDataPlex with the rail having the power cord retention feature, remove it off from the rack (see “Removing the 2U chassis from a rack” on page 286).
3. Remove the power cord if there is any attached to the power supply (see “Removing the power cord from the rail without power cord mounting bracket” on page 300).
4. Carefully pull the power supply out of the chassis.
5. If you are instructed to return the power supply, follow all packaging instructions, and use any packaging materials for shipping that are supplied to you.

Installing a power supply in a 2U chassis

Notes:

1. If you are installing a 900 watt redundant power supply unit, make sure the input power is phase-to-phase, or, phase-to-neutral, 200 volt to 240 volt nominal, AC, 47-63 Hz.
2. Both plugs of 900 watt redundant power supply should be plugged in to PDU or outlet together.

Table 14 shows the power supply configuration.

Table 14. Power supply configuration

Microprocessor SKU	750 W fixed module	900 W fixed module	750 W redundant module	900 W redundant module
130 W with more than 8 DIMMs	Not available	x2	Not available	Not available
130 W with less than or equal to 8 DIMMs	Not available	x1	Not available	x2

Table 14. Power supply configuration (continued)

Microprocessor SKU	750 W fixed module	900 W fixed module	750 W redundant module	900 W redundant module
115 W or 95 W	Not available	x1	Not available	x2
80 W or 70 W or 60 W	x1	x1	x2	x2

Table 15. Power supply configuration for GPGPU server configurations

Microprocessor SKU	750 W fixed module	900 W fixed module	750 W redundant module	900 W redundant module
130 W with more than 8 DIMMs	Not available	x2	Not available	Not available
130 W with less than or equal to 8 DIMMs	Not available	x1	Not available	x2
115 W or 95 W	Not available	x1	Not available	x2
80 W or 70 W or 60 W	Not available	x1	Not available	x2

The following notes describe the type of power supply that the server supports and other information that you must consider when you install a power supply:

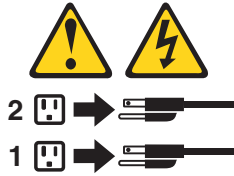
- Before you install an additional power supply or replace a power supply with one of a different wattage, you may use the IBM Power Configurator utility to determine current system power consumption. For more information and to download the utility, go to <http://www-03.ibm.com/systems/bladecenter/resources/powerconfig.html>.
- Power supplies in the server must be with the same power rating or wattage to ensure that the server will operate correctly. For example, you cannot mix 550-watt and 750-watt power supplies in the server.
- Power supply 1 is the default/primary power supply. If power supply 1 fails, you must replace the power supply with the same wattage immediately.
- These power supplies are designed for parallel operation. In the event of a power-supply failure, the redundant power supply continues to power the system. The server supports a maximum of two power supplies.

Statement 5:



CAUTION:

The power control button on the device and the power switch on the power supply do not turn off the electrical current supplied to the device. The device also might have more than one power cord. To remove all electrical current from the device, ensure that all power cords are disconnected from the power source.



Statement 8



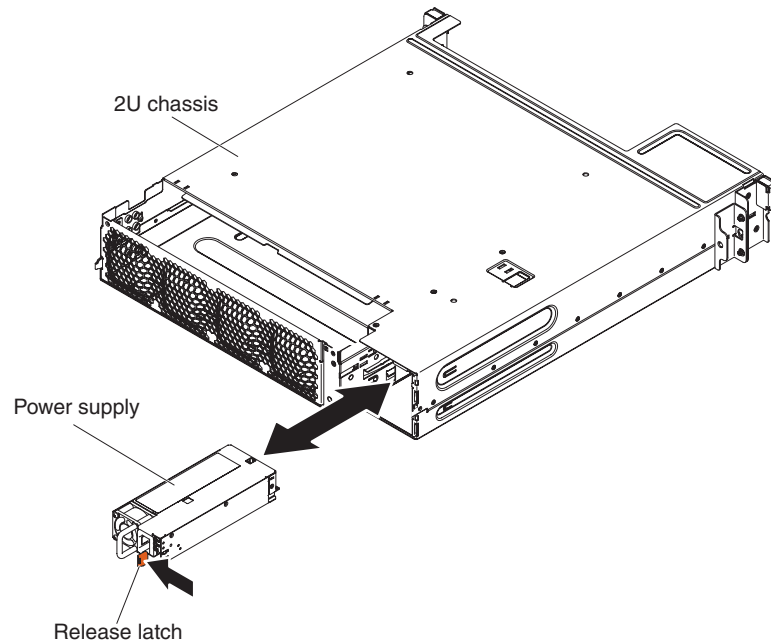
CAUTION:

Never remove the cover on a power supply or any part that has the following label attached.



Hazardous voltage, current, and energy levels are present inside any component that has this label attached. There are no serviceable parts inside these components. If you suspect a problem with one of these parts, contact a service technician.

To install a power supply in a 2U chassis, complete the following steps:

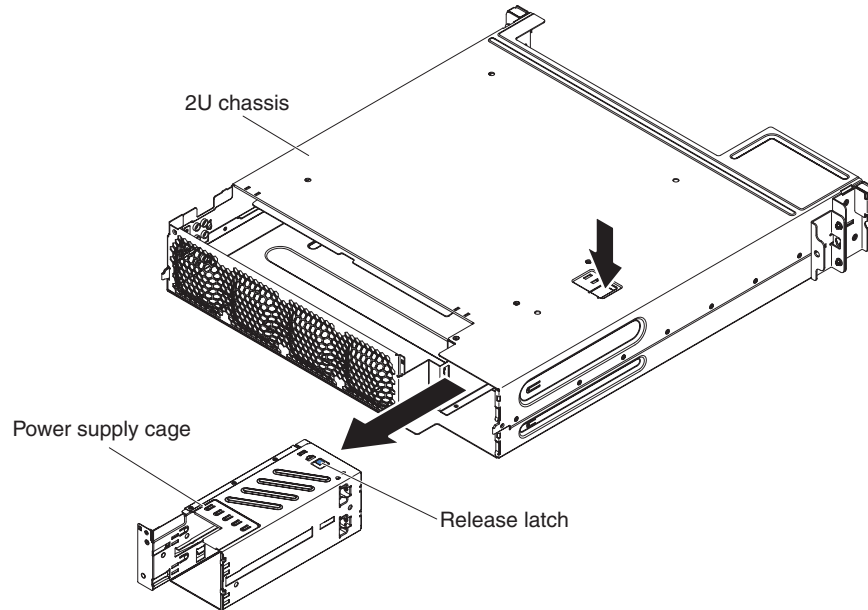


1. Read the safety information that begins vii and “Installation guidelines” on page 277.
2. Touch the static-protective package that contains the power supply to any *unpainted* metal surface on the outside of the chassis; then, remove the power supply from the package.
3. Insert the power supply into the chassis.

4. Carefully guide the power supply into the guides until the release latch clicks into place.
5. Install the chassis in the rack (see “Installing the 2U chassis in a rack” on page 287) if it had been already removed from the rack.
6. Reconnect power cords if necessary.

Removing a power supply cage from a 2U chassis

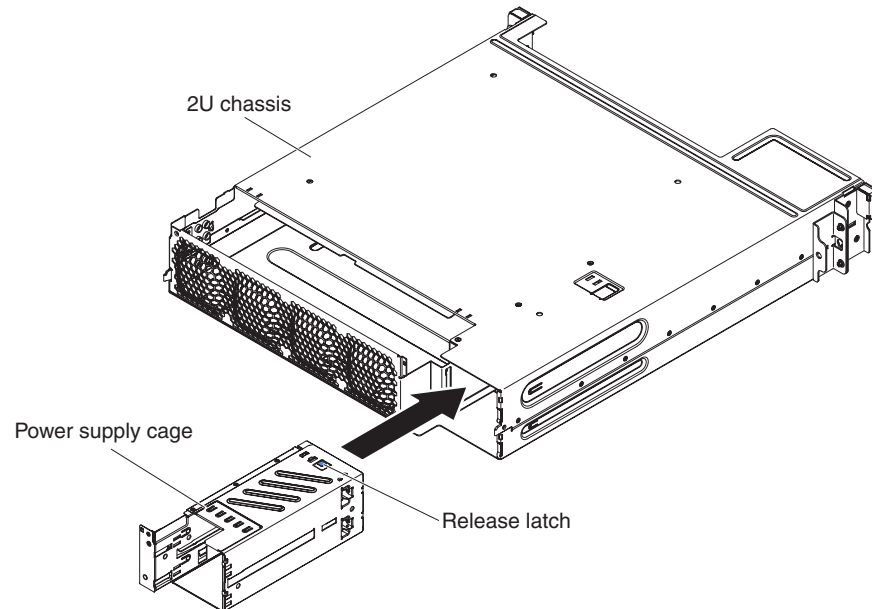
To remove the power supply cage from a 2U chassis, complete the following steps.



1. Read the safety information that begins vii and “Installation guidelines” on page 277.
2. If the chassis that contains the power supply is installed in a rack, remove it (see “Removing the 2U chassis from a rack” on page 286).
3. Remove the power supply from a 2U chassis (see “Removing a power supply from a 2U chassis” on page 317).
4. Make sure that both the 2U chassis fan-assembly top cover (see “Removing the 2U chassis fan-assembly top cover” on page 285) and the 2U chassis fan assembly (see “Removing the 2U chassis fan assembly” on page 291) are already removed.
5. Press the power-supply cage release latch.
6. Carefully pull the power supply cage out from the chassis.
7. If you are instructed to return the power supply, follow all packaging instructions, and use any packaging materials for shipping that are supplied to you.

Installing a power supply cage in a 2U chassis

To install the power supply cage in a 2U chassis, complete the following steps.



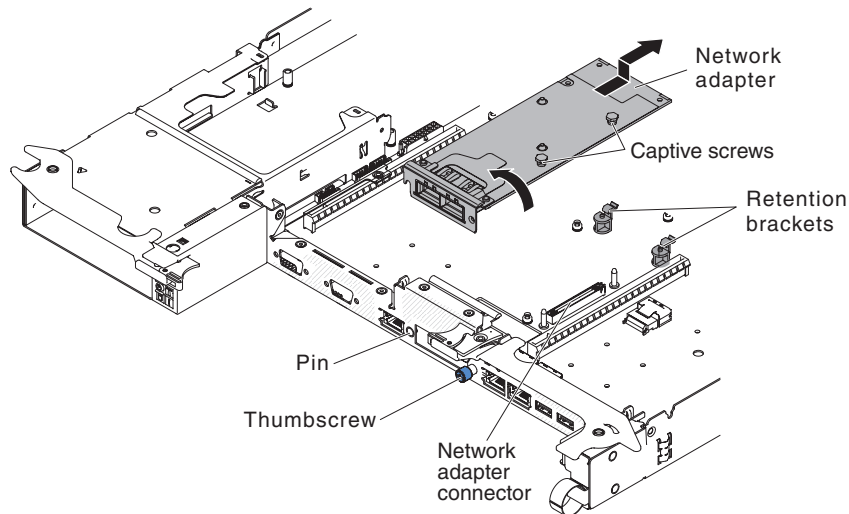
1. Insert the power supply cage into the rear of the chassis.
2. Slide into the chassis until the release latch clicks into place.
3. Install the 2U chassis fan assembly (see “Installing the 2U chassis fan assembly” on page 292).
4. Install the 2U chassis fan-assembly top cover (see “Installing the 2U chassis fan-assembly top cover” on page 285).
5. Install the power supply (see “Installing a power supply in a 2U chassis” on page 319).
6. Install the chassis in the iDataPlex rack (see “Installing the 2U chassis in a rack” on page 287).

Removing the optional dual-port network adapter

Note: Filler panel must be installed even if you do not install a network adapter.

To remove the network adapter, complete the following steps:

1. Read the safety information that begins on page vii and “Installation guidelines” on page 277.
2. Turn off the server and peripheral devices and disconnect all power cords.
3. If the system-board tray is installed in a chassis, remove it (see “Removing the system-board tray from a 2U chassis” on page 281).
4. If an expansion enclosure is installed on the system-board tray, remove it (see “Removing a GPGPU enclosure” on page 283); otherwise, remove the system-board tray cover (see “Removing the system-board tray cover” on page 282).
5. Loosen the screws and the captive screws on the network adapter from the screw holes.

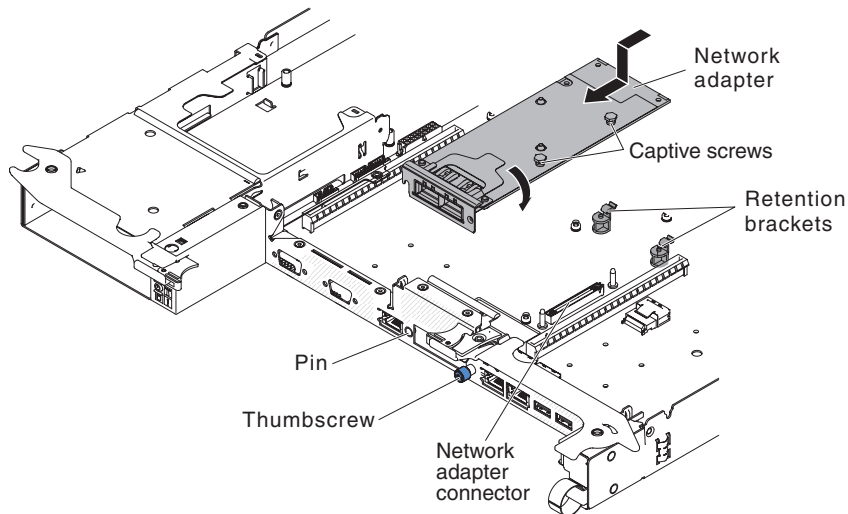


6. Loosen the thumbscrew on the front of the chassis.
7. Push the two retention brackets outward.
8. Grasp the network adapter and disengage it from the pin, retention brackets, and the connector on the planar; then, tilt and slide the adapter out of the port openings on the front of the chassis and remove it from the system-board tray.
9. If you are instructed to return the adapter, follow all packaging instructions, and use any packaging materials for shipping that are supplied to you.

Installing the optional dual-port network adapter

You can purchase a dual-port network adapter to add two additional network ports in the server. To order a dual-port network adapter option, contact your IBM marketing representative or authorized reseller.

To install the network adapter, complete the following steps:



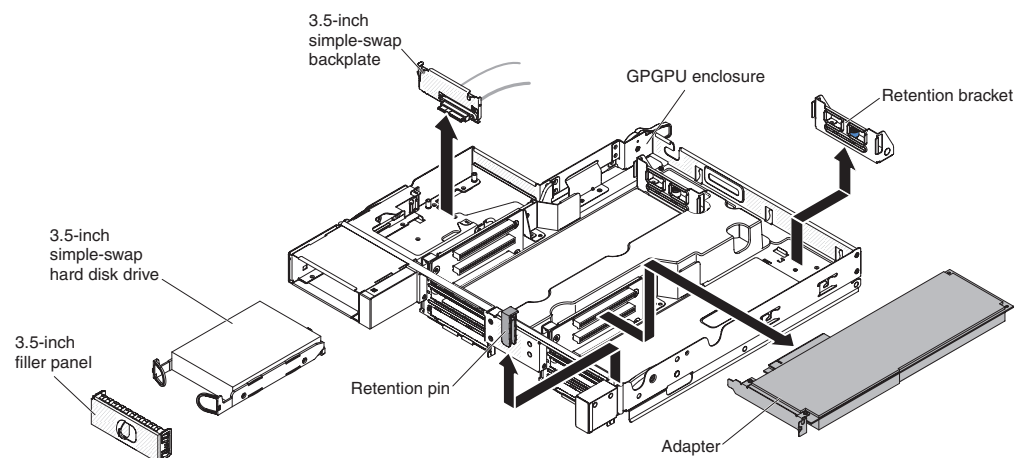
1. Read the safety information that begins on page vii and “Installation guidelines” on page 277.
2. Turn off the server and peripheral devices and disconnect the power cords.
3. If the system-board tray is installed in a chassis, remove it (see “Removing the system-board tray from a 2U chassis” on page 281).

4. If a GPGPU enclosure is installed on the system-board tray, remove it (see “Removing a GPGPU enclosure” on page 283); otherwise, remove the system-board tray cover (see “Removing the system-board tray cover” on page 282).
5. Remove the PCI riser-card assembly (if installed) from PCI riser connector 2 (see “Removing a PCIe riser-card assembly from the system-board tray” on page 304).
6. Remove the adapter filler panel on the front of the chassis (if it has not been removed already).
7. Touch the static-protective package that contains the new adapter to any unpainted metal surface on the server. Then, remove the adapter from the package.
8. Align the adapter so that the port connectors on the adapter line up with the pin and thumbscrew on the chassis; then, tilt and slide the adapter so the port connectors on the adapter and the network adapter connector on the planar are aligned.
9. Press the adapter firmly until the pin, and retention brackets engage the adapter. Make sure the adapter is securely seated on the connector on the planar.

Attention: Make sure the port connectors on the adapter are aligned properly with the chassis on the rear of the server. An incorrectly seated adapter might cause damage to the system board or the adapter.
10. Fasten the captive screws on the network adapter.
11. Fasten the thumbscrew on the front of the chassis.
12. Reinstall the PCI riser-card assembly in PCI riser connector 2 if you have removed it previously (see “Installing a PCI riser-card assembly on the system-board tray” on page 305).
13. Install the system-board tray cover (see “Installing the system-board tray cover” on page 282).
14. Install the system-board tray in the chassis (see “Installing the system-board tray in a 2U chassis” on page 281).

Removing a GPGPU enclosure

To remove a GPGPU enclosure, complete the following steps.

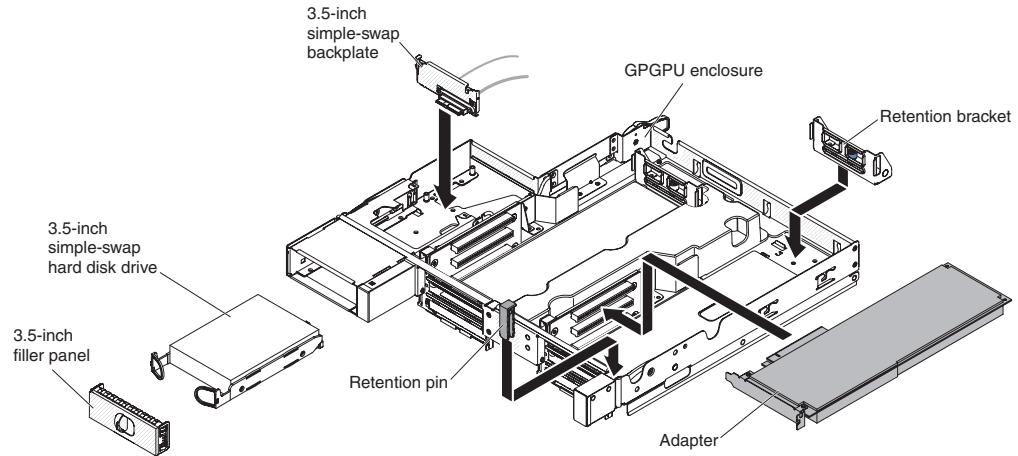


1. Read the safety information that begins on page vii and “Installation guidelines” on page 277.

2. If a GPGPU enclosure is installed on the system-board tray, remove it (see “Removing a GPGPU enclosure” on page 283).
3. Carefully set the GPGPU enclosure on a flat, static-protective surface.
4. Remove the hard disk drive filler or the simple-swap hard disk drives, if any is installed (see “Removing a simple-swap hard disk drive” on page 295). Place them on a static-protective surface.
5. Remove the simple-swap SAS/SATA drive cage (see “Removing a simple-swap SAS/SATA drive cage” on page 301).
6. Remove retention pin and bracket.
7. Remove the PCIe adapters, if any are installed (see “Removing a PCIe adapter from a PCI riser-card assembly” on page 306).
8. If you are instructed to return the GPGPU enclosure, follow all packaging instructions, and use any packaging materials for shipping that are supplied to you.

Installing a GPGPU enclosure

To install a GPGPU enclosure, complete the following steps.



1. Install the PCIe adapters, if you removed any (see “Installing an adapter in the GPGPU enclosure (PCI slot 3 or slot 4)” on page 308 and “Installing an adapter in the GPGPU enclosure (PCI slot 1 or slot 2)” on page 310).
2. Install retention pin and bracket.
3. Install the simple-swap SAS/SATA drive cage (see “Installing a simple-swap SAS/SATA drive cage” on page 302).
4. Install the hard disk drives, if you removed any (see “Installing a simple-swap hard disk drive” on page 296).
5. Install the GPGPU enclosure on the system-board tray (see “Installing a GPGPU enclosure” on page 284).

Removing and replacing Tier 2 CRUs

You may install a Tier 2 CRU yourself or request IBM to install it, at no additional charge, under the type of warranty service that is designated for your server.

The illustrations in this document might differ slightly from your hardware.

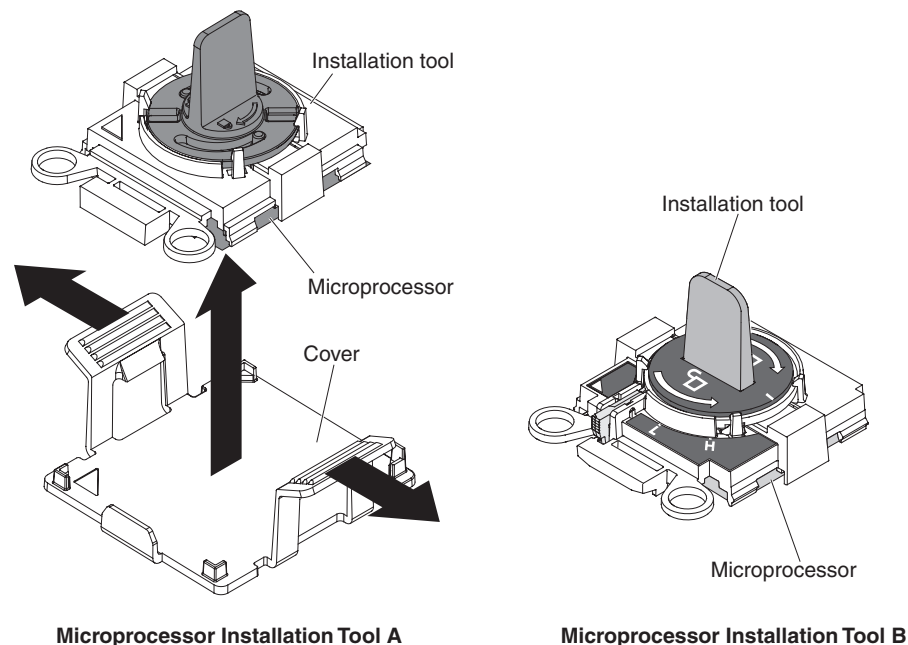
Removing a microprocessor and heat sink

Attention:

- Always use the microprocessor installation tool to remove a microprocessor. Failing to use the microprocessor installation tool may damage the microprocessor sockets on the system board. Any damage to the microprocessor sockets may require replacing the system board.
- Microprocessors are to be removed only by trained technicians.
- Do not allow the thermal grease on the microprocessor and heat sink to come in contact with anything. Contact with any surface can compromise the thermal grease and the microprocessor socket.
- Dropping the microprocessor during installation or removal can damage the contacts.
- Do not touch the microprocessor contacts; handle the microprocessor by the edges only. Contaminants on the microprocessor contacts, such as oil from your skin, can cause connection failures between the contacts and the socket.

Note: Be sure to use the installation tool that comes with your microprocessor installation tool assembly. The tools are similar in function and design, however Tool A has one setting for installing one size of microprocessor, and supports the following families of microprocessors: E5-26xx, E5-46xx. Installation Tool B has two settings for installing two different sizes of microprocessors. The settings that are marked on Tool B are “L” for smaller low core microprocessors, and “H” for larger high core microprocessors. Installation Tool B supports the following families of microprocessors: E5-26xx, E5-46xx, E5-26xx v2, E5-46xx v2.

Microprocessor Installation Tools A and B are shown in the following illustration.



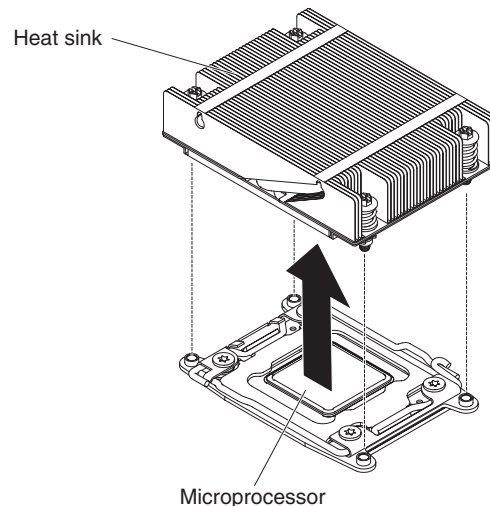
To remove a microprocessor and heat sink, complete the following steps:

1. Read the safety information that begins on page vii and “Installation guidelines” on page 277.
2. Turn off the server and peripheral devices and disconnect all power cords.

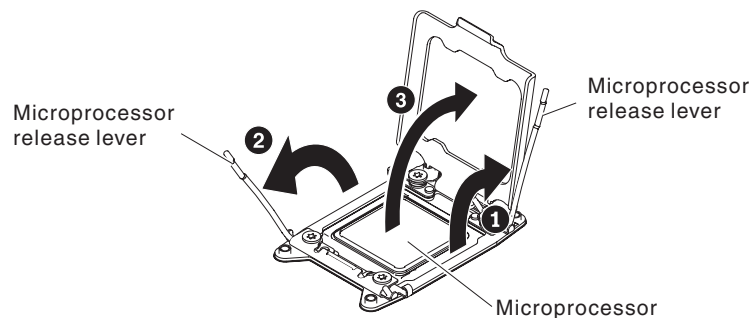
3. Remove the cover (see “Removing the system-board tray cover” on page 282).
4. Locate the microprocessor to be removed (see “System-board internal connectors” on page 13).
5. Remove the heat sink:

Attention: Do not touch the thermal material on the bottom of the heat sink. Touching the thermal material will contaminate it. If the thermal material on the microprocessor or heat sink becomes contaminated, you must wipe off the contaminated thermal material on the microprocessor or heat sink with the alcohol wipes and reapply clean thermal grease to the heat sink.

- a. Loosen the four screws on the corners of the microprocessor retainer.
- b. Lift the heat sink out of the server. After removal, place the heat sink (with the thermal grease side up) on a clean, flat surface.



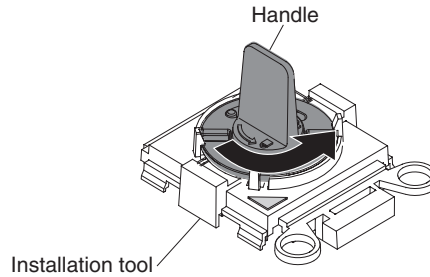
6. Open the microprocessor socket release levers and retainer:



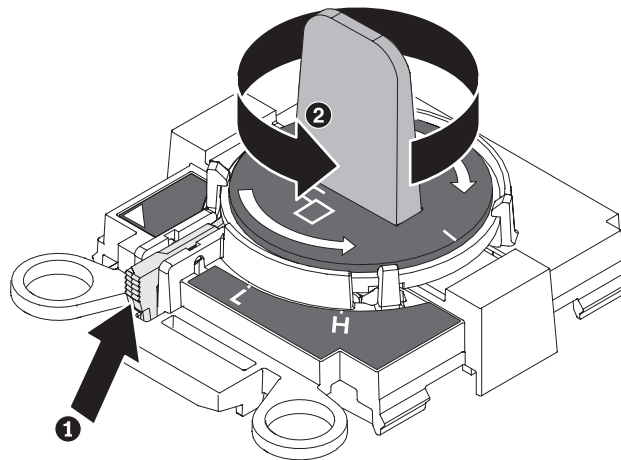
- a. Identify which release lever is labeled as the first release lever to open and open it.
- b. Open the second release lever on the microprocessor socket.
- c. Open the microprocessor retainer.

Attention: Do not touch the connectors on the microprocessor and the microprocessor socket.

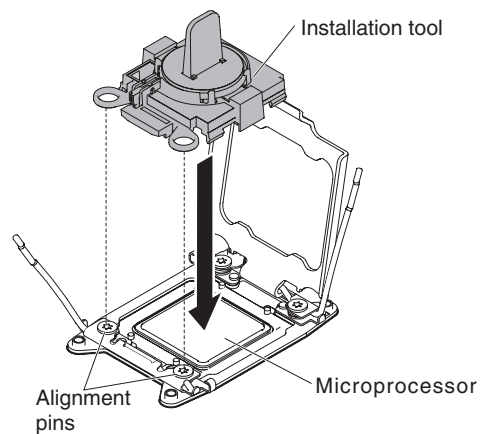
7. Remove the microprocessor from the socket:
 - a. Select the empty installation tool and ensure that the handle is in the open position. If the installation tool handle is not in the open position, use the following instructions for your installation tool:
 - If using Installation Tool A, twist the microprocessor installation tool handle counterclockwise to the open position.



- If using Installation Tool B, **1** lift the interlock latch and hold it up while you **2** twist the microprocessor installation tool handle counterclockwise to the open position, and then release the interlock latch. The following illustration of the installation tool shows the location of the interlock latch and counterclockwise rotation of the handle before loading the microprocessor.

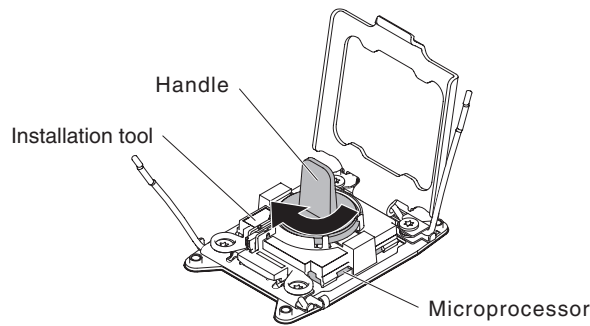


- Align the installation tool with the screws, as shown in the following graphic, and lower the installation tool on the microprocessor. The installation tool rests flush on the socket only when it is aligned correctly.

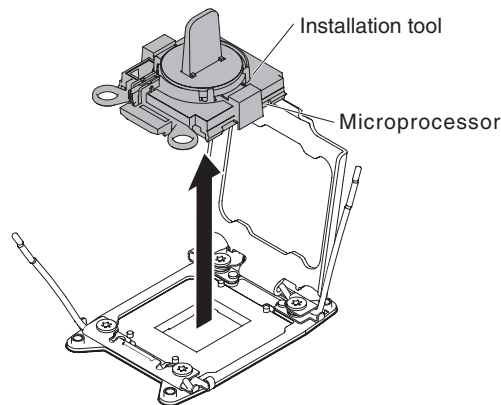


- Using the following instructions for your installation tool to remove the microprocessor.
 - If using Installation Tool A, gently twist the handle clockwise to the closed position and lift the microprocessor out of the socket.
 - If using Installation Tool B, gently twist the handle of the installation tool clockwise until it locks in the “H” or “L” position, depending on the size of

microprocessor, and then lift the microprocessor out of the socket.



d. Lift the microprocessor out of the socket.



8. If you do not intend to install a microprocessor on the socket, install the socket cover that you removed in step 6 on page 335 on the microprocessor socket.

Attention: The pins on the socket are fragile. Any damage to the pins may require replacing the system board.

9. If you are instructed to return the microprocessor, follow all packaging instructions, and use any packaging materials for shipping that are supplied to you.

Installing a microprocessor and heat sink

The following notes describe the type of microprocessor that the server supports and other information that you must consider when you install a microprocessor and heat sink:

- Microprocessors are to be installed only by trained technicians.

Important: Always use the microprocessor installation tool to install a microprocessor. Failing to use the microprocessor installation tool may damage the microprocessor sockets on the system board. Any damage to the microprocessor sockets may require replacing the system board.

- Be extremely careful, the microprocessor socket contacts are very fragile. Do not touch the microprocessor socket contacts. Contaminants on the microprocessor contacts or microprocessor socket contacts, such as oil from your skin, can cause connection failures between the contacts and the socket.
- Do not allow the thermal grease on the microprocessor and heat sink to come in contact with anything. Contact with any surface can contaminate the thermal grease and the microprocessor socket.

- Do not use any tools or sharp objects to lift the locking levers on the microprocessor socket. Doing so might result in permanent damage to the system board.
- Each microprocessor socket must always contain either a socket cover or a microprocessor and heat sink.
- Be sure to use only the installation tools provided with the new microprocessor to remove or install the microprocessor. Do not use any other tool.
- When installing multiple microprocessors, open one microprocessor socket at a time to avoid damaging other microprocessor socket contacts.
- The microprocessor installation tool has the microprocessor installed on the tool, and may have a protective cover over the microprocessor. Do not use the tool, or remove the cover until you are instructed to do so.

Note: Be sure to use the installation tool that comes with your microprocessor installation tool assembly.

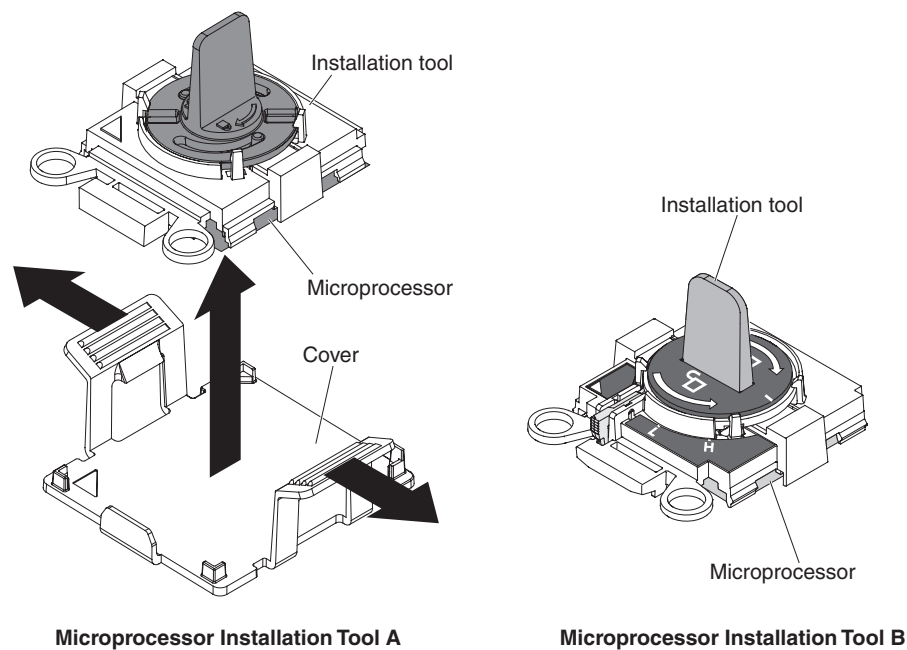
- The server supports up to two multi-core microprocessors. See <http://www.ibm.com/systems/info/x86servers/serverproven/compat/us/> for a list of supported microprocessors.
- The first microprocessor must always be installed in microprocessor socket 1 on the system board.
- When one microprocessor is installed, the air baffle must be installed to provide proper system cooling.
- Do not remove the first microprocessor from the system board when you install the second microprocessor.
- When you install the second microprocessor, you must also install additional memory. See “Installing a memory module” on page 312 for details about the installation sequence.
- Do not mix dual-core, quad-core, and six-core microprocessors in the same server.
- To ensure proper server operation when you install an additional microprocessor, use microprocessors that have the same QuickPath Interconnect (QPI) link speed, integrated memory controller frequency, core frequency, power segment, internal cache size, and type.
- Mixing microprocessors of different stepping levels within the same server model is supported.
- When mixing microprocessors with different stepping levels within the same server model, you do not have to install the microprocessor with lowest stepping level and features in microprocessor socket 1.
- Both microprocessor voltage regulator modules are integrated on the system board.
- Read the documentation that comes with the microprocessor to determine whether you have to update the server firmware. To download the latest level of server firmware and other code updates for your server, go to <http://www.ibm.com/supportportal/>.
- The microprocessor speeds are automatically set for this server; therefore, you do not have to set any microprocessor frequency-selection jumpers or switches.
- If the thermal-grease protective cover (for example, a plastic cap or tape liner) is removed from the heat sink, do not touch the thermal grease on the bottom of the heat sink or set down the heat sink. For more information about applying or working with thermal grease, see “Thermal grease” on page 336.

Note: Removing the heat sink from the microprocessor destroys the even distribution of the thermal grease and requires replacing the thermal grease.

- To order an additional optional microprocessor, contact your IBM marketing representative or authorized reseller.

There are two types of microprocessor installation tools. The tools are similar in function and design, however Tool A has one setting for installing one size of microprocessor, and supports the following families of microprocessors: E5-26xx, E5-46xx. Installation Tool B has two settings for installing two different sizes of microprocessors. The settings that are marked on Tool B are “L” for smaller low core microprocessors, and “H” for larger high core microprocessors. Installation Tool B supports the following families of microprocessors: E5-26xx, E5-46xx, E5-26xx v2, E5-46xx v2.

Microprocessor Installation Tools A and B are shown in the following illustration.

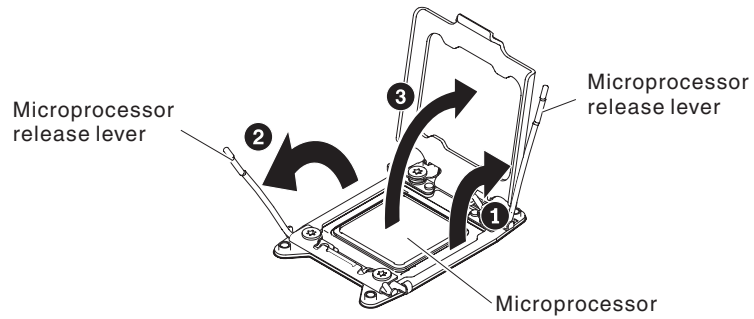


To install an additional microprocessor and heat sink, complete the following steps:

1. Read the safety information that begins on page vii and “Installation guidelines” on page 277.
2. Turn off the server and peripheral devices and disconnect the power cords and all external cables.

Attention: When you handle static-sensitive devices, take precautions to avoid damage from static electricity. For details about handling these devices, see “Handling static-sensitive devices” on page 279.

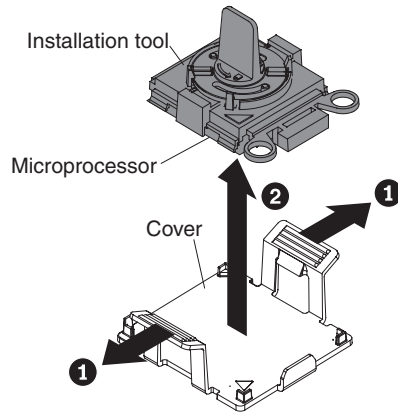
3. Remove the cover (see “Removing the system-board tray cover” on page 282).
4. Open the microprocessor socket release levers and retainer:



- a. Identify which release lever is labeled as the first release lever to open and open it.
- b. Open the second release lever on the microprocessor socket.
- c. Open the microprocessor retainer.

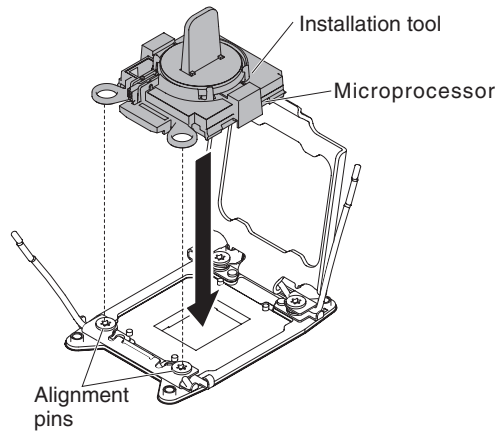
Attention: Do not touch the connectors on the microprocessor and the microprocessor socket.

5. Install the microprocessor on the microprocessor socket:
 - a. Touch the static-protective package that contains the new microprocessor to any *unpainted* on the chassis or any *unpainted* metal surface on any other grounded rack component; then, carefully remove the microprocessor from the package.
 - b. Release the sides of the cover and remove the cover from the installation tool. The microprocessor is preinstalled on the installation tool.

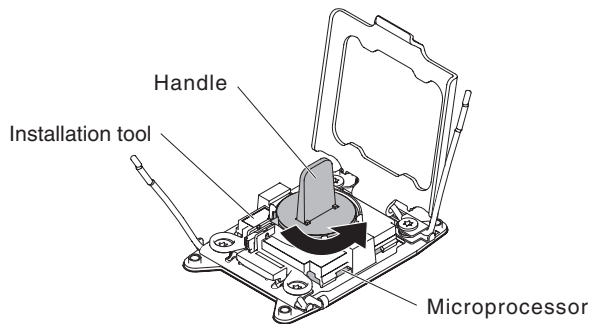
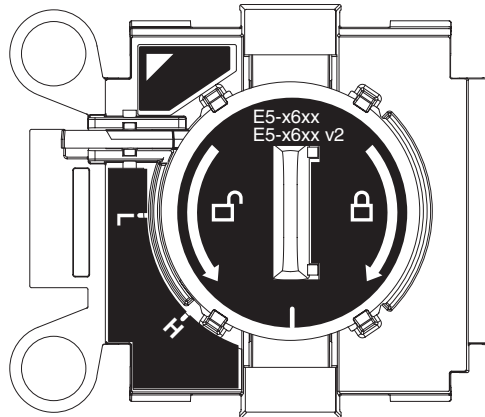


Note: Do not touch the microprocessor contacts. Contaminants on the microprocessor contacts, such as oil from your skin, can cause connection failures between the contacts and the socket.

- c. Align the installation tool with the microprocessor socket. The installation tool rests flush on the socket only if properly aligned.



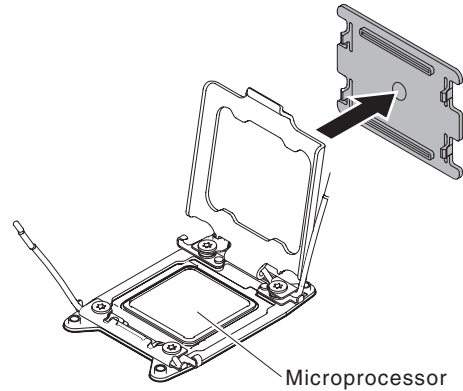
- d. Install the microprocessor using the following instructions for your installation tool.
- If using Installation Tool A, twist the handle on the microprocessor tool assembly counterclockwise to the open position to insert the microprocessor into the socket, and lift the installation tool out of the socket.
 - If using Installation Tool B, twist the handle of the installation tool assembly counterclockwise until the microprocessor is inserted into the socket, and lift the installation tool out of the socket. The following illustration shows the tool handle in the open position.



Attention:

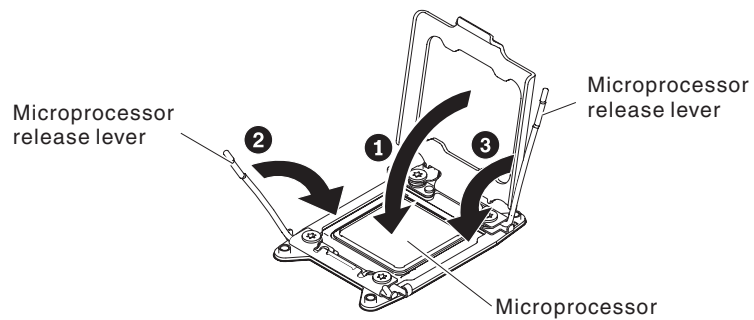
- Do not press the microprocessor into the socket.
- Make sure that the microprocessor is oriented and aligned correctly in the socket before you try to close the microprocessor retainer.

- Do not touch the thermal material on the bottom of the heat sink or on top of the microprocessor. Touching the thermal material will contaminate it.
6. Remove the microprocessor socket cover, tape, or label from the surface of the microprocessor socket, if one is present. Store the socket cover in a safe place.



Attention: When you handle static-sensitive devices, take precautions to avoid damage from static electricity. For details about handling these devices, see “Handling static-sensitive devices” on page 279.

7. Close the microprocessor socket release levers and retainer:



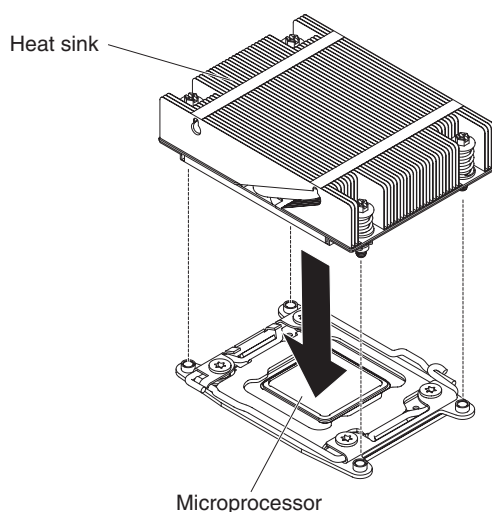
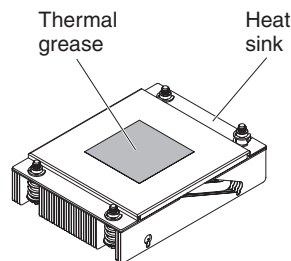
- a. Close the microprocessor retainer on the microprocessor socket.
- b. Identify which release lever is labeled as the first release lever to close and close it.
- c. Close the second release lever on the microprocessor socket.

Note: If you are installing microprocessor Intel E5-2690 or Intel E5-2643. Attach the microprocessor information label on the front of the system-board tray.

8. Install the heat sink:

Attention:

- Do not set down the heat sink after you remove the plastic cover.
- Do not touch the thermal grease on the bottom of the heat sink after you remove the plastic cover. Touching the thermal grease will contaminate it. See “Thermal grease” for more information.



- a. Remove the plastic protective cover from the bottom of the heat sink.
 - b. Position the heat sink over the microprocessor. The heat sink is keyed to assist with proper alignment.
 - c. Align and place the heat sink on top of the microprocessor in the retention bracket, thermal material side down.
 - d. Press firmly on the heat sink.
 - e. Rotate the heat sink release lever to the closed position and hook it underneath the lock tab.
9. Install the cover (see “Installing the system-board tray cover” on page 282).
 10. Slide the server into the rack.
 11. Reconnect the power cords and any cables that you removed.
 12. Turn on the peripheral devices and the server.

Thermal grease

The thermal grease must be replaced whenever the heat sink has been removed from the top of the microprocessor and is going to be reused or when debris is found in the grease.

When you are installing the heat sink on the same microprocessor that it was removed from, make sure that the following requirements are met:

- The thermal grease on the heat sink and microprocessor is not contaminated.

- Additional thermal grease is not added to the existing thermal grease on the heat sink and microprocessor.

Notes:

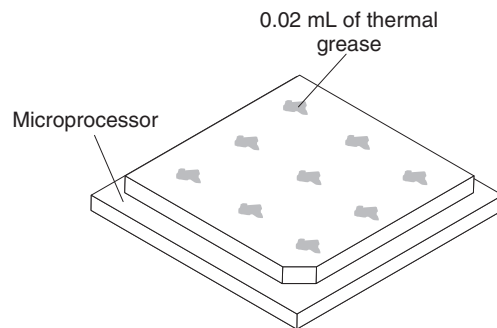
- Read the safety information on page vii.
- Read the “Installation guidelines” on page 277.
- Read “Handling static-sensitive devices” on page 279.

To replace damaged or contaminated thermal grease on the microprocessor and heat sink, complete the following steps:

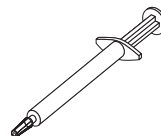
1. Place the heat sink on a clean work surface.
2. Remove the cleaning pad from its package and unfold it completely.
3. Use the cleaning pad to wipe the thermal grease from the bottom of the heat sink.

Note: Make sure that all of the thermal grease is removed.

4. Use a clean area of the cleaning pad to wipe the thermal grease from the microprocessor; then, dispose of the cleaning pad after all of the thermal grease is removed.



5. Use the thermal-grease syringe to place 9 uniformly spaced dots of 0.02 mL each on the top of the microprocessor. The outermost dots must be within approximately 5 mm of the edge of the microprocessor; this is to ensure uniform distribution of the grease.



Note: If the grease is properly applied, approximately half of the grease will remain in the syringe.

6. Install the heat sink onto the microprocessor as described in 8 on page 335.

Removing the system-board tray

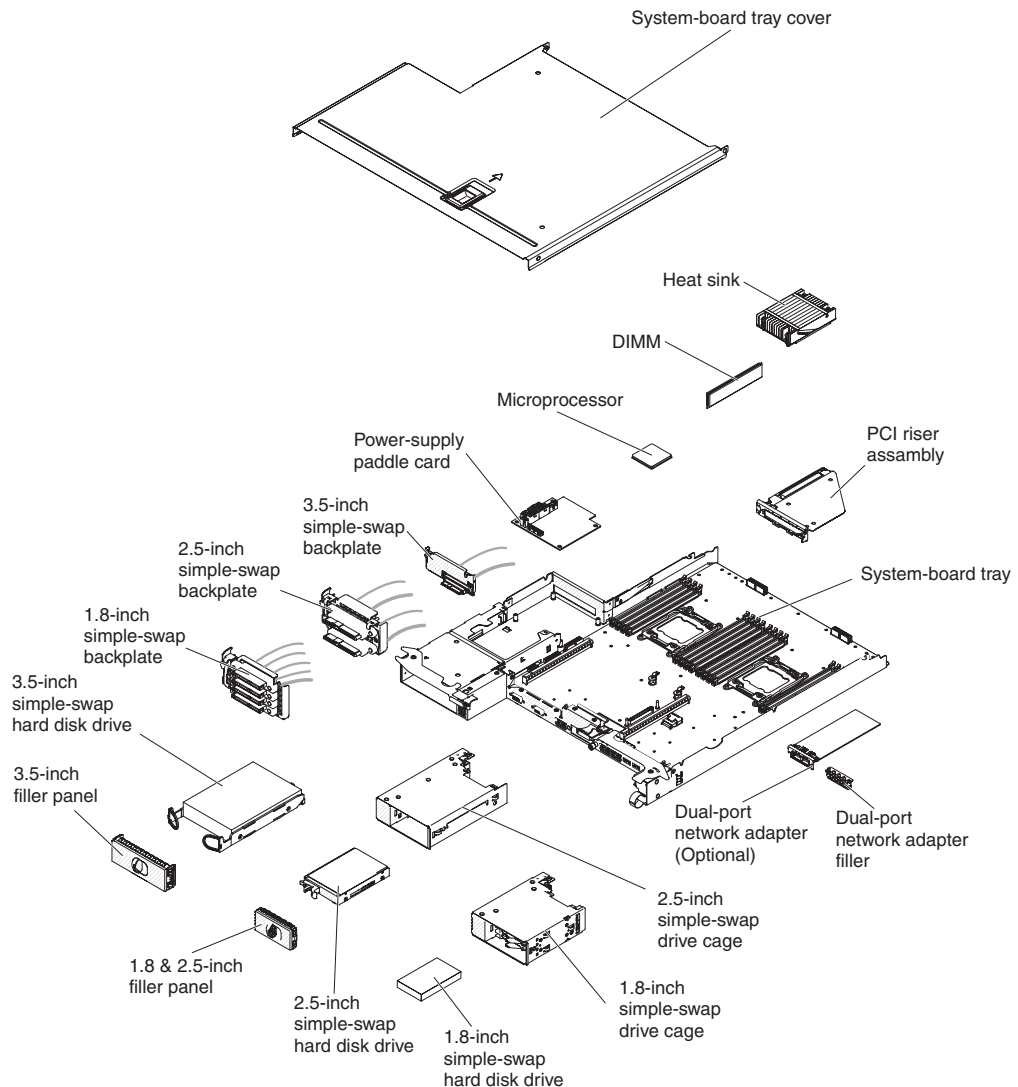
Notes:

1. Before you replace the system-board tray, make sure that you backup any features on demand (FoD) keys that were enabled. Remember to re-enable the features on demand (FoD) keys after installing the new system-board tray. For more information on Features on Demand (FoD), including instructions for automating the activation and installation of the activation key by using IBM

ToolsCenter or IBM Systems Director, see the *IBM Features on Demand User's Guide* at <http://www.ibm.com/systems/x/fod/> under the Help section.

2. When you replace the system-board tray, you must either update the server with the latest firmware or restore the pre-existing firmware that the customer provides on a diskette or CD image. Make sure that you have the latest firmware or a copy of the pre-existing firmware before you proceed.
3. When you replace the system-board tray, make sure that you remove the Integrated Management Module Advanced Upgrade and place it on the new system-board tray. For information about the Advanced Upgrade, see "Using the remote presence capability and blue-screen capture" on page 355.
4. See "System-board internal connectors" on page 13 for the locations of the connectors on the system-board tray.
5. When you replace the system-board tray, make sure that you keep the information of machine type (M/T), serial number (S/N), and product ID from node serial number label (see "Problem determination tips" on page 260), and write them down to the repair ID tag accompanied with the FRU of the system-board. Then, paste the tag onto the bottom side of the new system-board tray.

To remove the system-board tray, complete the following steps.



1. Read the safety information that begins on page vii and “Installation guidelines” on page 277.
2. If the system-board tray is installed in a chassis, remove it (see “Removing the system-board tray from a 2U chassis” on page 281).
3. Remove the system-board tray cover (see “Removing the system-board tray cover” on page 282)
4. If necessary, note the cable routing and connection locations; then, disconnect the cables that connect the system-board tray to the chassis.

Attention:

- Disengage all latches, release tabs or locks on cable connectors when you disconnect all cables from the system board. Failing to release them before removing the cables will damage the cable sockets on the system board. The cable sockets on the system board are fragile. Any damage to the cable sockets may require replacing the system board.
 - Failing to install or remove the cable with care may damage the connectors on the system board. Any damage to the connectors may require replacing the system board.
5. Remove the hard disk drives, if any are installed (see “Removing a simple-swap hard disk drive” on page 295).
 6. Remove the hard disk drive bracket and cable assembly.
 7. Remove the simple-swap SAS/SATA drive cage, if one is installed (see “Removing a simple-swap SAS/SATA drive cage” on page 301).
 8. Remove the riser cards (see “Removing a PCIe riser-card assembly from the system-board tray” on page 304) and dual-port network adapter (see “Removing the optional dual-port network adapter” on page 323).
 9. Remove the power-supply paddle card, if any are installed (see “Removing a power-supply paddle card from the tray” on page 303).
 10. Remove the DIMMs (see “Removing a memory module” on page 311).
 11. Remove the microprocessors and heat sinks (see “Removing a microprocessor and heat sink” on page 327).

Notes:

- a. Remove the socket covers from the microprocessor sockets on the new system board and place them on the microprocessor sockets of the system board you are removing.
 - b. Do not allow the thermal grease to come in contact with anything, and keep each heat sink paired with its microprocessor for reinstallation. Contact with any surface can compromise the thermal grease and the microprocessor socket. A mismatch between the microprocessor and its original heat sink can require the installation of a new heat sink.
12. If you are instructed to return the system-board tray, follow all packaging instructions, and use any packaging materials for shipping that are supplied to you.

Note: Remove the shipping brackets from the replacement system-board tray and install them on the system-board tray you are returning.

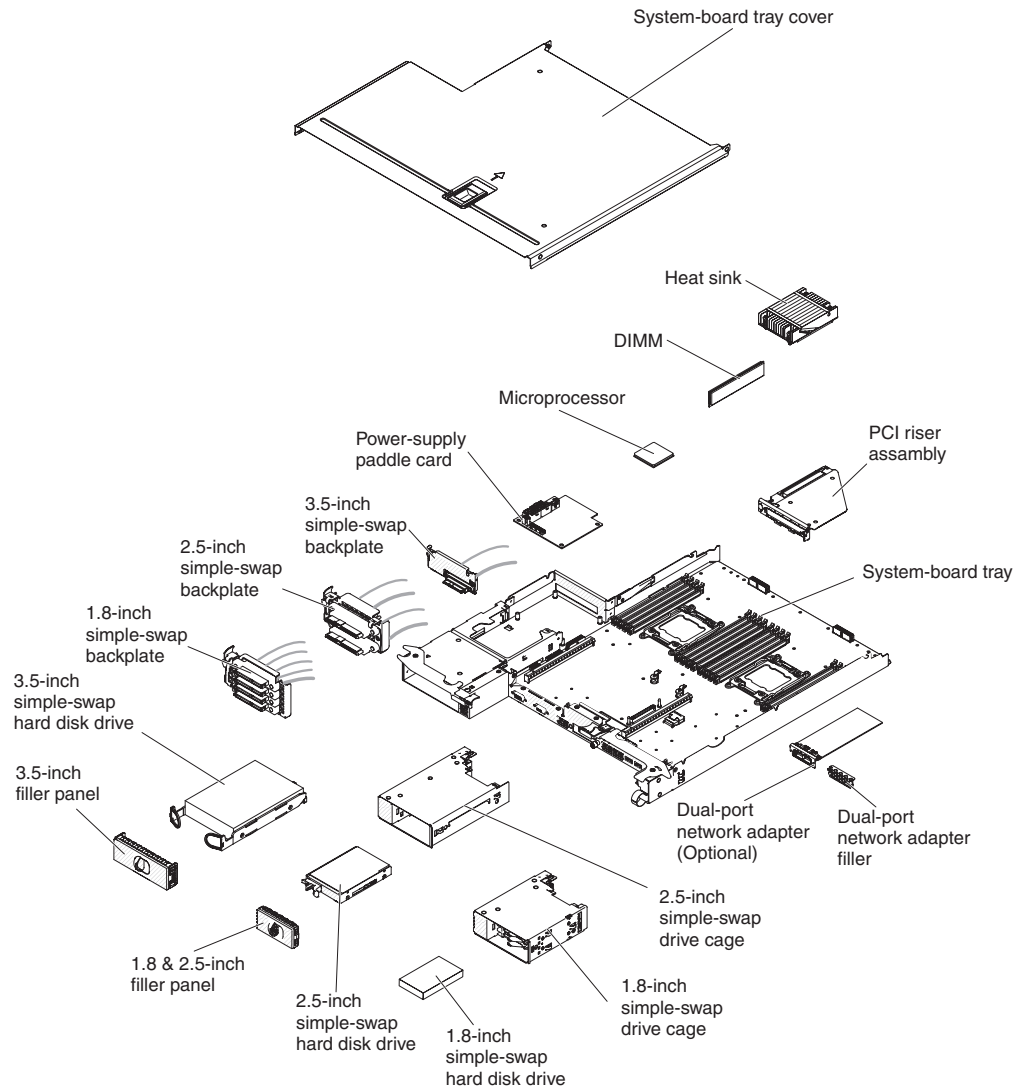
Installing the system-board tray

Notes:

1. When you reassemble the components in the system-board tray, be sure to route all cables carefully so that they are not exposed to excessive pressure.
2. When you replace the system-board tray, you must either update the server with the latest firmware or restore the pre-existing firmware from a diskette or CD image. Make sure that you have the latest firmware or a copy of the pre-existing firmware before you proceed. See “Updating the firmware” on page 343, “Updating the Universal Unique Identifier (UUID)” on page 361, and “Updating the DMI/SMBIOS data” on page 363 for more information.
3. When you replace the system-board tray, make sure that you keep the information of machine type (M/T), serial number (S/N), and product ID from node serial number label (see “Problem determination tips” on page 260), and write them down to the repair ID tag accompanied with the FRU of the system-board. Then, paste the tag onto the bottom side of the new system-board tray.

Important: Some cluster solutions require specific code levels or coordinated code updates. If the device is part of a cluster solution, verify that the latest level of code is supported for the cluster solution before you update the code

To install a system-board tray, complete the following steps.



Note: You might have to remove component fillers or covers before you can install some components.

1. Read the safety information that begins on page vii and “Installation guidelines” on page 277.
2. Reinstall the microprocessors and heat sinks (see “Installing a microprocessor and heat sink” on page 330).
3. Reinstall the DIMMs (see “Installing a memory module” on page 312).
4. Reinstall the power-supply paddle card (see “Installing a power-supply paddle card in the tray” on page 304).
5. Reinstall the dual-port network adapter, if you removed any (See “Installing the optional dual-port network adapter” on page 324).
6. Reinstall the riser cards (see “Installing a PCI riser-card assembly on the system-board tray” on page 305).
7. Install the hard disk drive bracket and cable assembly.
8. Reinstall the simple-swap SAS/SATA drive cage, if you removed one (see “Installing a simple-swap SAS/SATA drive cage” on page 302).
9. Reinstall the hard disk drives, if you removed any (See “Installing a simple-swap hard disk drive” on page 296).

10. Install the system-board tray cover (see “Installing the system-board tray cover” on page 282).
11. Install the system-board tray in the chassis (see “Installing the system-board tray in a 2U chassis” on page 281).
12. Push the power supplies back into the server.
13. Slide the server into the rack.
14. Reconnect the power cords and any cables that you removed.
15. Turn on the peripheral devices and the server.
16. Start the Setup utility and reset the configuration.
 - Set the system date and time.
 - Set the power-on password.
 - Reconfigure the server.See “Using the Setup utility” on page 347 for details.
17. Either update the server with the latest RAID firmware or restore the pre-existing firmware from a diskette or CD image.
18. Update the UUID (see “Updating the Universal Unique Identifier (UUID)” on page 361).
19. Update the DMI/SMBIOS (see “Updating the DMI/SMBIOS data” on page 363).

Chapter 6. Configuration information and instructions

This chapter provides information about updating the firmware and using the configuration utilities.

Updating the firmware

Important: Some cluster solutions require specific code levels or coordinated code updates. If the device is part of a cluster solution, verify that the latest level of code is supported for the cluster solution before you update the code.

You can install code updates that are packaged as an Update*Xpress* System Pack or Update*Xpress* CD image. An Update*Xpress* System Pack contains an integration-tested bundle of online firmware and device-driver updates for your server. Use Update*Xpress* System Pack Installer to acquire and apply Update*Xpress* System Packs and individual firmware and device-driver updates. For additional information and to download the Update*Xpress* System Pack Installer, go to the ToolsCenter for System x and BladeCenter at <http://publib.boulder.ibm.com/infocenter/toolsctr/v1r0/index.jsp> and click **Update*Xpress* System Pack Installer**.

When you click an update, an information page is displayed, including a list of the problems that the update fixes. Review this list for your specific problem; however, even if your problem is not listed, installing the update might solve the problem.

Be sure to separately install any listed critical updates that have release dates that are later than the release date of the Update*Xpress* System Pack or Update*Xpress* image.

The firmware for the server is periodically updated and is available for download from the IBM website. To check for the latest level of firmware, such as UEFI firmware, vital product data (VPD) code, device drivers, and integrated management module firmware, go to <http://www.ibm.com/support/fixcentral/>.

Attention: Before you update the firmware, be sure to back up any data that is stored in the Trusted Platform Module (TPM), in case any of the TPM characteristics are changed by the new firmware. For instructions, see your encryption software documentation.

Download the latest firmware for the server; then, install the firmware, using the instructions that are included with the downloaded files.

When you replace a device in the server, you might have to either update the firmware that is stored in memory on the device or restore the pre-existing firmware from a diskette or CD image.

- UEFI firmware is stored in ROM on the system board.
- IMM2 firmware is stored in ROM on the IMM2 on the system board.
- Ethernet firmware is stored in ROM on the Ethernet controller.
- ServeRAID firmware is stored in ROM on the ServeRAID adapter.
- SATA firmware is stored in ROM on the integrated SATA controller.
- SAS/SATA firmware is stored in ROM on the SAS/SATA controller on the system board.

Configuring the server

The *ServerGuide* program provides software-setup tools and installation tools that are designed for the server. Use this CD during the installation of the server to configure basic hardware features, such as an integrated SAS/SATA controller with RAID capabilities, and to simplify the installation of your operating system. For information about using this CD, see “Using the ServerGuide Setup and Installation CD” on page 345.

In addition to the *ServerGuide Setup and Installation* CD, you can use the following configuration programs to customize the server hardware:

- **Setup utility**

The Setup utility is part of the basic input/output system firmware. Use it to change interrupt request (IRQ) settings, change the startup-device sequence, set the date and time, and set passwords. For information about using this program, see “Using the Setup utility” on page 347.

- **Boot Manager program**

The Boot Manager program is part of the server firmware. Use it to override the startup sequence that is set in the Setup utility and temporarily assign a device to be first in the startup sequence. For more information about using this program, see “Using the Boot Manager program” on page 352.

- **Integrated management module II**

Use the integrated management module II (IMM2) for configuration, to update the firmware and sensor data record (SDR) data, and to remotely manage a network. For information about using IMM2, see “Using the integrated management module II” on page 353.

- **VMware ESXi embedded hypervisor**

The VMware ESXi embedded hypervisor is available on the server models that come with an installed USB embedded hypervisor flash device. The USB flash device is installed in the USB connector on the SAS/SATA RAID riser-card. Hypervisor is virtualization software that enables multiple operating systems to run on a host system at the same time. For more information about using the embedded hypervisor, see “Using the embedded hypervisor” on page 356.

- **Ethernet controller configuration**

For information about configuring the Ethernet controller, see “Configuring the Gigabit Ethernet controller” on page 357.

- **IBM Advanced Settings Utility (ASU) program**

Use this program as an alternative to the Setup utility for modifying UEFI settings. Use the ASU program online or out of band to modify UEFI settings from the command line without the need to restart the server to access the Setup utility. For more information about using this program, see “IBM Advanced Settings Utility program” on page 360.

- **LSI Configuration Utility program**

Use the LSI Configuration Utility program to configure the integrated SAS/SATA controller with RAID capabilities and the devices that are attached to it. For information about using this program, see “Using the LSI Configuration Utility program” on page 358.

The following table lists the different server configurations and the applications that are available for configuring and managing RAID arrays.

Table 16. Server configuration and applications for configuring and managing RAID arrays

Server configuration	RAID array configuration (before operating system is installed)	RAID array management (after operating system is installed)
ServeRAID-H1110 adapter	LSI Utility (Setup utility, press Ctrl+C), ServerGuide, Human Interface Infrastructure (HII)	MegaRAID Storage Manager (MSM), SAS2IRCU (Command Line) Utility for Storage Management
ServeRAID-M1115 adapter	MegaRAID BIOS Configuration Utility (press Ctrl+H to start), pre-boot CLI (press Ctrl+P to start), ServerGuide, HII	MegaRAID Storage Manager (MSM), MegaCLI (Command Line Interface), and IBM Director

Using the ServerGuide Setup and Installation CD

The *ServerGuide Setup and Installation* CD provides software setup tools and installation tools that are designed for your server. The ServerGuide program detects the server model and hardware options that are installed and uses that information during setup to configure the hardware. The ServerGuide program simplifies operating-system installations by providing updated device drivers and, in some cases, installing them automatically. To download the CD, go to <http://www.ibm.com/support/entry/portal/docdisplay?Indocid=SERV-GUIDE> and click **IBM Service and Support Site**.

The ServerGuide program has the following features:

- An easy-to-use interface
- Diskette-free setup, and configuration programs that are based on detected hardware
- ServeRAID Manager program, which configures your ServeRAID adapter
- Device drivers that are provided for your server model and detected hardware
- Operating-system partition size and file-system type that are selectable during setup

Note: Changes are made periodically to the IBM website. The actual procedure might vary slightly from what is described in this document.

ServerGuide features

Features and functions can vary slightly with different versions of the ServerGuide program. To learn more about the version that you have, start the *ServerGuide Setup and Installation* CD and view the online overview. Not all features are supported on all server models.

The ServerGuide program requires a supported IBM server with an enabled startable (bootable) CD drive. In addition to the *ServerGuide Setup and Installation* CD, you must have your operating-system CD to install the operating system.

The ServerGuide program performs the following tasks:

- Sets system date and time
- Detects the RAID adapter or controller and runs the SAS/SATA RAID configuration program
- Checks the microcode (firmware) levels of a ServeRAID adapter and determines whether a later level is available from the CD

- Detects installed hardware options and provides updated device drivers for most adapters and devices
- Provides diskette-free installation for supported Windows operating systems
- Includes an online readme file with links to tips for your hardware and operating-system installation

Setup and configuration overview

When you use the *ServerGuide Setup and Installation* CD, you do not need setup diskettes. You can use the CD to configure any supported IBM server model. The setup program provides a list of tasks that are required to set up your server model. On a server with a ServeRAID adapter or SAS/SATA controller with RAID capabilities, you can run the SAS RAID configuration program to create logical drives.

Note: Features and functions can vary slightly with different versions of the ServerGuide program.

When you start the *ServerGuide Setup and Installation* CD, the program prompts you to complete the following tasks:

- Select your language.
- Select your keyboard layout and country.
- View the overview to learn about ServerGuide features.
- View the readme file to review installation tips for your operating system and adapter.
- Start the operating-system installation. You will need your operating-system CD.

Important: Before you install a legacy operating system (such as VMware) on a server with an LSI SAS controller, you must first complete the following steps:

1. Update the device driver for the LSI SAS controller to the latest level.
2. In the Setup utility, set **Legacy Only** as the first option in the boot sequence in the **Boot Manager** menu.
3. Using the LSI Configuration Utility program, select a boot drive.

For detailed information and instructions, go to <https://www-947.ibm.com/systems/support/supportsite.wss/docdisplay?Indocid=MIGR-5083225>.

Typical operating-system installation

The ServerGuide program can reduce the time it takes to install an operating system. It provides the device drivers that are required for your hardware and for the operating system that you are installing. This section describes a typical ServerGuide operating-system installation.

Note: Features and functions can vary slightly with different versions of the ServerGuide program.

1. After you have completed the setup process, the operating-system installation program starts. (You will need your operating-system CD to complete the installation.)
2. The ServerGuide program stores information about the server model, service processor, hard disk drive controllers, and network adapters. Then, the program checks the CD for newer device drivers. This information is stored and then passed to the operating-system installation program.
3. The ServerGuide program presents operating-system partition options that are based on your operating-system selection and the installed hard disk drives.

4. The ServerGuide program prompts you to insert your operating-system CD and restart the server. At this point, the installation program for the operating system takes control to complete the installation.

Installing your operating system without using ServerGuide

If you have already configured the server hardware and you are not using the ServerGuide program to install your operating system, go to <http://www.ibm.com/supportportal/> to download the latest operating-system installation instructions from the IBM website.

Using the Setup utility

Use the Unified Extensible Firmware Interface (UEFI), formerly BIOS, Setup utility to perform the following tasks:

- View configuration information
- View and change assignments for devices and I/O ports
- Set the date and time
- Set the startup characteristics of the server and the order of startup devices
- Set and change settings for advanced hardware features
- View, set, and change settings for power-management features
- View and clear error logs
- Change interrupt request (IRQ) settings
- Resolve configuration conflicts

Starting the Setup utility

To start the Setup utility, complete the following steps:

1. Turn on the server.

Note: Approximately 5 to 10 seconds after the server is connected to power, the power-control button becomes active.

2. When the prompt <F1> Setup is displayed, press F1. If you have set an administrator password, you must type the administrator password to access the full Setup utility menu. If you do not type the administrator password, a limited Setup utility menu is available.
3. Select settings to view or change.

Setup utility menu choices

The following choices are on the Setup utility main menu for the UEFI. Depending on the version of the firmware, some menu choices might differ slightly from these descriptions.

- **System Information**

Select this choice to view information about the server. When you make changes through other choices in the Setup utility, some of those changes are reflected in the system information; you cannot change settings directly in the system information. This choice is on the full Setup utility menu only.

- **System Summary**

Select this choice to view configuration information, including the ID, speed, and cache size of the microprocessors, machine type and model of the server, the serial number, the system UUID, and the amount of installed memory. When you make configuration changes through other options in the Setup utility, the changes are reflected in the system summary; you cannot change settings directly in the system summary.

- **Product Data**

Select this choice to view the system-board identifier, the revision level or issue date of the firmware, the integrated management module and diagnostics code, and the version and date.

This choice is on the full Setup utility menu only.

- **System Settings**

Select this choice to view or change the server component settings.

- **Processors**

Select this choice to view or change the processor settings.

- **Memory**

Select this choice to view or change the memory settings.

- **Devices and I/O Ports**

Select this choice to view or change assignments for devices and input/output (I/O) ports. You can configure the serial ports, configure remote console redirection, enable or disable integrated Ethernet controllers, the SAS/SATA controllers, SATA optical drive channels, PCI slots, and video controller. If you disable a device, it cannot be configured, and the operating system will not be able to detect it (this is equivalent to disconnecting the device).

- **Power**

Select this choice to view or change power capping to control consumption, processors, and performance states.

- **Operating Modes**

Select this choice to view or change the operating profile (performance and power utilization).

- **Legacy Support**

Select this choice to view or set legacy support.

- **Force Legacy Video on Boot**

Select this choice to force INT video support, if the operating system does not support UEFI video output standards.

- **Rehook INT 19h**

Select this choice to enable or disable devices from taking control of the boot process. The default is **Disable**.

- **Legacy Thunk Support**

Select this choice to enable or disable UEFI to interact with PCI mass storage devices that are non-UEFI compliant.

- **Integrated Management Module II**

Select this choice to view or change the settings for the integrated management module.

- **POST Watchdog Timer**

Select this choice to view or enable the POST watchdog timer.

- **POST Watchdog Timer Value**

Select this choice to view or set the POST loader watchdog timer value.

- **Reboot System on NMI**

Enable or disable restarting the system whenever a nonmaskable interrupt (NMI) occurs. **Disabled** is the default.

- **Commands on USB Interface Preference**

Select this choice to enable or disable the Ethernet over USB interface on IMM2.

- **Network Configuration**

Select this choice to view the system management network interface port, the IMM2 MAC address, the current IMM2 IP address, and host name; define the static IMM2 IP address, subnet mask, and gateway address, specify whether to use the static IP address or have DHCP assign the IMM2 IP address, save the network changes, and reset the IMM2.

- **Reset IMM2 to Defaults**

Select this choice to view or reset IMM2 to the default settings.

- **Reset IMM2**

Select this choice to reset IMM2.

- **System Security**

Select this choice to view or configure Trusted Platform Module (TPM) support.

- **Adapters and UEFI Drivers**

Select this choice to view information about the UEFI 1.10 and UEFI 2.0 compliant adapters and drivers installed in the server.

- **Video**

Select this choice to view or configure the video device options.

Note: The configuration forms for UEFI 2.1 and greater compliant add-on video devices might be located here.

- **Date and Time**

Select this choice to set the date and time in the server, in 24-hour format (*hour:minute:second*).

This choice is on the full Setup utility menu only.

- **Start Options**

Select this choice to view or change the start options, including the startup sequence, keyboard NumLock state, PXE boot option, and PCI device boot priority. Changes in the startup options take effect when you start the server.

The startup sequence specifies the order in which the server checks devices to find a boot record. The server starts from the first boot record that it finds. If the server has Wake on LAN hardware and software and the operating system supports Wake on LAN functions, you can specify a startup sequence for the Wake on LAN functions. For example, you can define a startup sequence that checks for a disc in the CD-RW/DVD drive, then checks the hard disk drive, and then checks a network adapter.

This choice is on the full Setup utility menu only.

- **Boot Manager**

Select this choice to view, add, delete, or change the device boot priority, boot from a file, select a one-time boot, or reset the boot order to the default setting.

- **System Event Logs**

Select this choice to enter the System Event Manager, where you can view the error messages in the system event logs. You can use the arrow keys to move between pages in the error log.

The system event logs contain all event and error messages that have been generated during POST, by the systems-management interface handler, and by the system service processor. Run the diagnostic programs to get more information about error codes that occur. See “Running the diagnostic programs” on page 192 for instructions on running the diagnostic programs.

Important: If the system-error LED on the front of the server is lit but there are no other error indications, clear the IMM2 system-event log. Also, after you complete a repair or correct an error, clear the IMM2 system-event log to turn off the system-error LED on the front of the server.

- **POST Event Viewer**

Select this choice to enter the POST event viewer to view the POST error messages.

- **System Event Log**

Select this choice to view the IMM2 system event log.

- **Clear System Event Log**

Select this choice to clear the IMM2 system event log.

- **User Security**

Select this choice to set, change, or clear passwords. See “Passwords” on page 351 for more information.

This choice is on the full and limited Setup utility menu.

- **Set Power-on Password**

Select this choice to set or change a power-on password. For more information, see “Power-on password” on page 351 for more information.

- **Clear Power-on Password**

Select this choice to clear a power-on password. For more information, see “Power-on password” on page 351 for more information.

- **Set Administrator Password**

Select this choice to set or change an administrator password. An administrator password is intended to be used by a system administrator; it limits access to the full Setup utility menu. If an administrator password is set, the full Setup utility menu is available only if you type the administrator password at the password prompt. For more information, see “Administrator password” on page 352.

- **Clear Administrator Password**

Select this choice to clear an administrator password. For more information, see “Administrator password” on page 352.

- **Save Settings**

Select this choice to save the changes that you have made in the settings.

- **Restore Settings**

Select this choice to cancel the changes that you have made in the settings and restore the previous settings.

- **Load Default Settings**

Select this choice to cancel the changes that you have made in the settings and restore the factory settings.

- **Exit Setup**

Select this choice to exit from the Setup utility. If you have not saved the changes that you have made in the settings, you are asked whether you want to save the changes or exit without saving them.

Passwords

From the **User Security** menu choice, you can set, change, and delete a power-on password and an administrator password. The **User Security** choice is on the full Setup utility menu only.

If you set only a power-on password, you must type the power-on password to complete the system startup and to have access to the full Setup utility menu.

An administrator password is intended to be used by a system administrator; it limits access to the full Setup utility menu. If you set only an administrator password, you do not have to type a password to complete the system startup, but you must type the administrator password to access the Setup utility menu.

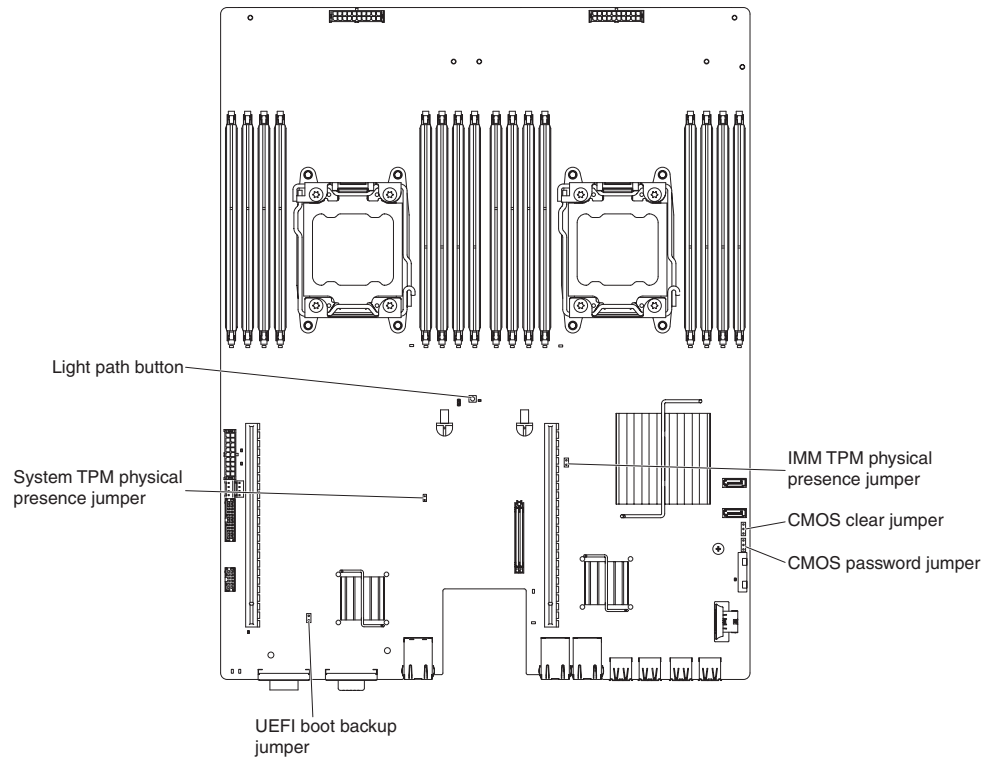
If you set a power-on password for a user and an administrator password for a system administrator, you must type the power-on password to complete the system startup. A system administrator who types the administrator password has access to the full Setup utility menu; the system administrator can give the user authority to set, change, and delete the power-on password. A user who types the power-on password has access to only the limited Setup utility menu; the user can set, change, and delete the power-on password, if the system administrator has given the user that authority.

Power-on password: If a power-on password is set, when you turn on the server, you must type the power-on password to complete the system startup. You can use any combination of 6 - 20 printable ASCII characters for the password.

When a power-on password is set, you can enable the Unattended Start mode, in which the keyboard and mouse remain locked but the operating system can start. You can unlock the keyboard and mouse by typing the power-on password.

If you forget the power-on password, you can regain access to the server in any of the following ways:

- If an administrator password is set, type the administrator password at the password prompt. Start the Setup utility and reset the power-on password.
- Remove the battery from the server and then reinstall it. See “Removing the system battery” on page 292 for instructions on removing the battery.
- Change the jumper setting of clear password jumper (PW_CLR1) to reset the power-on password.



Attention: Before you change any switch settings or move any jumpers, turn off the server; then, disconnect all power cords and external cables. See the safety information that begins on page vii. Do not change settings or move jumpers on any system-board switch or jumper blocks that are not shown in this document.

The default for all of the switches on switch block (SW3) is Off.

While the server is turned off, move clear password jumper (PW_CLR1) to position 2-3 to enable the power-on password override. When you finish the password change, turn the server off, then move clear password jumper (PW_CLR1) back to position 1-2 to disable the power-on password override function. You can then start the Setup utility and reset the power-on password. You do not have to return the switch to the previous position.

The power-on password override switch does not affect the administrator password.

Administrator password: If an administrator password is set, you must type the administrator password for access to the full Setup utility menu. You can use any combination of 6 - 20 printable ASCII characters for the password.

Attention: If you set an administrator password and then forget it, there is no way to change, override, or remove it. You must replace the system board.

Using the Boot Manager program

The Boot Manager program is a built-in, menu-driven configuration utility program that you can use to temporarily redefine the first startup device without changing settings in the Setup utility.

To use the Boot Manager program, complete the following steps:

1. Turn off the server.
2. Restart the server.

3. When the prompt <F12> Select Boot Device is displayed, press F12. If a bootable USB mass storage device is installed, a submenu item (**USB Key/Disk**) is displayed.
4. Use the Up arrow and Down arrow keys to select an item from the **Boot Selection Menu** and press Enter.

The next time the server starts, it returns to the startup sequence that is set in the Setup utility.

Starting the backup server firmware

The system board contains a backup copy area for the server firmware (formerly BIOS firmware). This is a secondary copy of the server firmware that you update only during the process of updating the server firmware. If the primary copy of the server firmware becomes damaged, use this backup copy.

To force the server to start from the backup copy of the server firmware, turn off the server; then, place the JP3 jumper in the backup position (pins 2 and 3).

Use the backup copy of the server firmware until the primary copy is restored. After the primary copy is restored, turn off the server; then, move the JP3 jumper back to the primary position (pins 1 and 2).

Using the integrated management module II

The integrated management module II (IMM2) is the second generation of the IMM. Unlike the first generation of IMM, the IMM2 has three levels of firmware: basic, standard, and premium. The level of IMM2 firmware in your server depends on the server platform. IMM2 basic firmware provides server management through the Intelligent Platform Management Interface (IPMI). IMM2 standard firmware provides basic functionality plus the ability to manage servers through other user interfaces, such as the web, Telnet, Secure Shell (SSH), and Simple Network Management Protocol (SNMP). IMM2 premium firmware provides standard functionality plus remote-presence capability.

Some servers that come with IMM2 basic or standard firmware might have an option to upgrade the IMM2 firmware to a higher level. If you add the service processor upgrade option to IMM2 basic firmware, the result is IMM2 standard functionality. If you add the remote presence upgrade option to IMM2 standard firmware, the result is IMM2 premium functionality.

Note: You cannot upgrade IMM2 basic firmware directly to IMM2 premium firmware by using the remote presence upgrade option. You must use the service processor upgrade option to upgrade to IMM2 standard firmware and then use the remote presence upgrade option to upgrade to IMM2 premium firmware.

For more information about the IMM2, see the Integrated Management Module II User's Guide at <http://www.ibm.com/support/entry/portal/docdisplay?Indocid=MIGR-5086346>.

The IMM2 supports the following basic systems-management features:

- Environmental monitor with fan speed control for temperature, voltages, fan failure, and power supply failure.
- DIMM error assistance. The Unified Extensible Firmware Interface (UEFI) disables a failing DIMM that is detected during POST, and the IMM2 lights the associated system error LED and the failing DIMM error LED.

- System-event log (SEL).
- ROM-based IMM2 firmware flash updates.
- Auto Boot Failure Recovery (ABR).
- Nonmaskable interrupt (NMI) detection and reporting.
- Automatic Server Restart (ASR) when POST is not complete or the operating system hangs and the operating system watchdog timer times-out. The IMM2 might be configured to watch for the operating system watchdog timer and reboot the system after a timeout, if the ASR feature is enabled. Otherwise, the IMM2 allows the administrator to generate a nonmaskable interrupt (NMI) by pressing an NMI button on the system board for an operating-system memory dump. ASR is supported by IPMI.
- Intelligent Platform Management Interface (IPMI) Specification V2.0 and Intelligent Platform Management Bus (IPMB) support.
- Invalid system configuration (CNFG) LED support.
- Serial over LAN (SOL).
- PECI 2 support.
- Power/reset control (power-on, hard and soft shutdown, hard and soft reset, schedule power control).
- Alerts (in-band and out-of-band alerting, PET traps - IPMI style, SNMP, e-mail).
- Operating-system failure blue screen capture.
- Configuration save and restore.
- PCI configuration data.
- Boot sequence manipulation.

The IMM2 also provides the following remote server management capabilities through the OSA SMBridge management utility program:

- **Command-line interface (IPMI Shell)**

The command-line interface provides direct access to server management functions through the IPMI 2.0 protocol. Use the command-line interface to issue commands to control the server power, view system information, and identify the server. You can also save one or more commands as a text file and run the file as a script.

- **Serial over LAN**

Establish a Serial over LAN (SOL) connection to manage servers from a remote location. You can remotely view and change the UEFI settings, restart the server, identify the server, and perform other management functions. Any standard Telnet client application can access the SOL connection.

Obtaining the IP address for the IMM2

To access the web interface, you need the IP address for IMM2. You can obtain the IMM2 IP address through the Setup utility. The server comes with a default IP address for the IMM2 of 192.168.70.125. To locate the IP address, complete the following steps:

1. Turn on the server.

Note: Approximately 5 to 10 seconds after the server is connected to power, the power-control button becomes active.

2. When the prompt <F1> Setup is displayed, press F1. (This prompt is displayed on the screen for only a few seconds. You must press F1 quickly.) If you have set both a power-on password and an administrator password, you must type the administrator password to access the full Setup utility menu.

3. From the Setup utility main menu, select **System Settings**.
4. On the next screen, select **Integrated Management Module**.
5. On the next screen, select **Network Configuration**.
6. Find the IP address and write it down.
7. Exit from the Setup utility.

Logging on to the web interface

To log onto the web interface to use the remote presence functions, complete the following steps:

1. Open a web browser on a computer that connects to the server and in the **address** or **URL** field, type the IP address or host name of the IMM to which you want to connect.

Note: The IMM2 defaults to DHCP. If a DHCP host is not available, the IMM2 assigns a static IP address of 192.168.70.125.

2. On the Login page, type the user name and password. If you are using the IMM for the first time, you can obtain the user name and password from your system administrator. All login attempts are documented in the event log.

Note: The IMM2 is set initially with a user name of USERID and password of PASSWORD (passw0rd with a zero, not the letter O). You have read/write access. You must change the default password the first time you log on.

3. On the Welcome page, type a timeout value (in minutes) in the field that is provided. The IMM2 will log you off of the web interface if your browser is inactive for the number of minutes that you entered for the timeout value.
4. Click **Continue** to start the session. The System Health page provides a quick view of the system status.

Using the remote presence capability and blue-screen capture

The remote presence and blue-screen capture features are integrated functions of the Integrated Management Module II (IMM2). When the optional IBM Integrated Management Module Advanced Upgrade is installed in the server, it activates the remote presence functions. The Integrated Management Module Advanced Upgrade is required to enable the integrated remote presence and blue-screen capture features. Without the Integrated Management Module Advanced Upgrade, you will not be able to access the network remotely to mount or unmount drives or images on the client system. However, you can still access the web interface without the upgrade.

After the Integrated Management Module Advanced Upgrade is installed in the server, it is authenticated to determine whether it is valid. If the key is not valid, you receive a message from the web interface (when you attempt to start the remote presence feature) indicating that the Integrated Management Module Advanced Upgrade is required to use the remote presence feature.

The remote presence feature provides the following functions:

- Remotely viewing video with graphics resolutions up to 1600 x 1200 at 75 Hz, regardless of the system state
- Remotely accessing the server, using the keyboard and mouse from a remote client
- Mapping the CD or DVD drive, diskette drive, and USB flash drive on a remote client, and mapping ISO and diskette image files as virtual drives that are available for use by the server

- Uploading a diskette image to the IMM memory and mapping it to the server as a virtual drive

The blue-screen capture feature captures the video display contents before the IMM restarts the server when the IMM detects an operating-system hang condition. A system administrator can use the blue-screen capture to assist in determining the cause of the hang condition.

Enabling the remote presence feature

To enable the remote presence feature, complete the following steps:

1. Install the Integrated Management Module Advanced Upgrade.
2. Turn on the server.

Note: Approximately 20 to 40 seconds after the server is connected to power, the power-control button becomes active.

For more information on Features on Demand (FoD), including instructions for automating the activation and installation of the activation key by using IBM ToolsCenter or IBM Director, see the *IBM System x Features on Demand User's Guide* at <http://www.ibm.com/systems/x/fod/> under the Help section.

Using the embedded hypervisor

The VMware ESXi embedded hypervisor is available on server models that come with an installed USB embedded hypervisor flash device. The USB flash device comes installed in the USB connector on the system board. Hypervisor is virtualization software that enables multiple operating systems to run on a host system at the same time. The USB flash device is required to activate the hypervisor functions.

To start using the embedded hypervisor functions, you must add the USB flash device to the boot order in the Setup utility.

To add the USB flash device to the boot order, complete the following steps:

1. Turn on the server.

Note: Approximately 5 to 10 seconds after the server is connected to power, the power-control button becomes active.

2. When the prompt <F1> Setup is displayed, press F1.
3. From the Setup utility main menu, select **Boot Manager**.
4. Select **Add Boot Option**; then, select **Embedded Hypervisor**. Press Enter, and then select Esc.
5. Select **Change Boot Order** and then select **Commit Changes**; then, press Enter.
6. Select **Save Settings** and then select **Exit Setup**.

If the embedded hypervisor flash device image becomes corrupt, you can use the *VMware Recovery* CD to recover the flash device image. To recover the flash device image, complete the following steps:

1. Turn on the server.

Note: Approximately 5 to 10 seconds after the server is connected to power, the power-control button becomes active.

2. Insert the VMware Recovery CD into the CD or DVD drive.

3. Follow the instructions on the screen.

For additional information and instructions, see the *ESXi Embedded and vCenter Server Setup Guide* at http://www.vmware.com/pdf/vsphere4/r40_u1/vsp_40_u1_esxi_e_vc_setup_guide.pdf.

Setting the PXE boot protocol using the Setup utility

To use the Setup utility to configure the boot protocol to boot from a non-UEFI legacy network device for all PXE boot attempts, complete the following steps:

1. Turn on the server (see “Turning on the node” on page 11).
2. When the prompt Press <F1> Setup is displayed, press F1. If you have set an administrator password, you must type the administrator password to access the full Setup utility menu. If you do not type the administrator password, a limited Setup utility menu is available.
3. From the Setup utility main menu, select **Boot Manager**.
4. Select **Boot Modes**; then select **Legacy Only**.
5. Press Esc twice to return to the Setup utility main menu.
6. Select **Save Settings** and then select **Exit Setup**.

To use the Setup utility to configure the boot protocol to boot from a non-UEFI legacy network device for the next boot only, complete the following steps:

1. Turn on the server (see “Turning on the node” on page 11).
2. When the prompt Press <F1> Setup is displayed, press F1. If you have set an administrator password, you must type the administrator password to access the full Setup utility menu. If you do not type the administrator password, a limited Setup utility menu is available.
3. From the Setup utility main menu, select **Boot Manager**.
4. Select **Add Boot Option**; then select **Generic Boot Option**.
5. Select **Legacy Only**.
6. Press Esc three times to return to the Setup utility main menu.
7. Select **Save Settings** and then select **Exit Setup**.

Note: Press Ctrl+P when prompted during POST to access the PXE boot agent utility program.

Configuring the Gigabit Ethernet controller

The Ethernet controllers are integrated on the system board. They provide an interface for connecting to a 10 Mbps, 100 Mbps, or 1 Gbps network and provide full-duplex (FDX) capability, which enables simultaneous transmission and reception of data on the network. If the Ethernet ports in the server support auto-negotiation, the controllers detect the data-transfer rate (10BASE-T, 100BASE-TX, or 1000BASE-T) and duplex mode (full-duplex or half-duplex) of the network and automatically operate at that rate and mode.

You do not have to set any jumpers or configure the controllers. However, you must install a device driver to enable the operating system to address the controllers.

To find device drivers and information about configuring the Ethernet controllers, go to <http://www.ibm.com/supportportal/>.

Using the LSI Configuration Utility program

Use the LSI Configuration Utility program to configure and manage redundant array of independent disks (RAID) arrays. Be sure to use this program as described in this document.

- Use the LSI Configuration Utility program to perform the following tasks:
 - Perform a low-level format on a hard disk drive
 - Create an array of hard disk drives with or without a hot-spare drive
 - Set protocol parameters on hard disk drives

The integrated SAS/SATA controller with RAID capabilities supports RAID arrays. You can use the LSI Configuration Utility program to configure RAID 1 (IM), RAID 1E (IME), and RAID 0 (IS) for a single pair of attached devices. If you install the optional ServeRAID-M5110 SAS/SATA controller, it provides RAID levels 0, 1, 5, 6, 10, 50, and 60 support. If you install a different type of RAID adapter, follow the instructions in the documentation that comes with the adapter to view or change settings for attached devices.

In addition, you can download an LSI command-line configuration program from <http://www.ibm.com/supportportal/>.

When you are using the LSI Configuration Utility program to configure and manage arrays, consider the following information:

- The integrated SAS/SATA controller with RAID capabilities supports the following features:
 - Integrated Mirroring (IM) with hot-spare support (also known as RAID 1)
Use this option to create an integrated array of two disks plus up to two optional hot spares. All data on the primary disk can be migrated.
 - Integrated Mirroring Enhanced (IME) with hot-spare support (also known as RAID 1E)
Use this option to create an integrated mirror enhanced array of three to eight disks, including up to two optional hot spares. All data on the array disks will be deleted.
 - Integrated Striping (IS) (also known as RAID 0)
Use this option to create an integrated striping array of two to eight disks. All data on the array disks will be deleted.
- Hard disk drive capacities affect how you create arrays. The drives in an array can have different capacities, but the RAID controller treats them as if they all have the capacity of the smallest hard disk drive.
- If you use an integrated SAS/SATA controller with RAID capabilities to configure a RAID 1 (mirrored) array after you have installed the operating system, you will lose access to any data or applications that were previously stored on the secondary drive of the mirrored pair.
- If you install a different type of RAID controller, see the documentation that comes with the controller for information about viewing and changing settings for attached devices.

Starting the LSI Configuration Utility program

To start the LSI Configuration Utility program, complete the following steps:

1. Turn on the server.

Note: Approximately 5 to 10 seconds after the server is connected to power, the power-control button becomes active.

2. When the prompt <F1 Setup> is displayed, press F1. If you have set an administrator password, you are prompted to type the password.
3. Select **System Settings** → **Network** or **Storage** depending on the type of your adapters.

Note: Select **System Settings** → **Adapters and UEFI drivers** for UEFI 2.0 (and prior) compliant adapters and drivers installed in the server.

4. Select **Please refresh this page on the first visit** and press Enter.
5. Select **LSI controller_driver_name Driver** and press Enter, where *controller_driver_name* is the name of the SAS/SATA controller driver. For the SAS/SATA controller driver name, see the documentation that comes with your controller.
6. To perform storage-management tasks, follow the procedures in the documentation that comes with the SAS/SATA controller.

When you have finished changing settings, press Esc to exit from the program; select **Save** to save the settings that you have changed.

Formatting a hard disk drive

Low-level formatting removes all data from the hard disk. If there is data on the disk that you want to save, back up the hard disk before you perform this procedure.

Note: Before you format a hard disk, make sure that the disk is not part of a mirrored pair.

To format a drive, complete the following steps:

1. From the list of adapters, select the controller (channel) for the drive that you want to format and press Enter.
2. Select **SAS Topology** and press Enter.
3. Select **Direct Attach Devices** and press Enter.
4. To highlight the drive that you want to format, use the Up Arrow and Down Arrow keys. To scroll left and right, use the Left Arrow and Right Arrow keys or the End key. Press Alt+D.
5. To start the low-level formatting operation, select **Format** and press Enter.

Creating a RAID array of hard disk drives

To create a RAID array of hard disk drives, complete the following steps:

1. From the list of adapters, select the controller (channel) for the drives that you want to mirror.
2. Select **RAID Properties**.
3. Select the type of array that you want to create.
4. Use the arrow keys to highlight the first drive in the pair; then, press the Minus (-) or Plus (+) key to change the mirror value to **Primary**.
5. Continue to select the next drive using the Minus (-) or Plus (+) key until you have selected all the drives for your array.
6. Press C to create the disk array.
7. Select **Apply changes and exit menu** to create the array.

IBM Advanced Settings Utility program

The IBM Advanced Settings Utility (ASU) program is an alternative to the Setup utility for modifying UEFI settings. Use the ASU program online or out of band to modify UEFI settings from the command line without the need to restart the system to access the Setup utility.

You can also use the ASU program to configure the optional remote presence features or other IMM2 settings. The remote presence features provide enhanced systems-management capabilities.

In addition, the ASU program provides limited settings for configuring the IPMI function in the IMM2 through the command-line interface.

Use the command-line interface to issue setup commands. You can save any of the settings as a file and run the file as a script. The ASU program supports scripting environments through a batch-processing mode.

For more information and to download the ASU program, go to <http://www.ibm.com/support/entry/portal/docdisplay?lnocid=TOOL-ASU>.

Updating IBM Systems Director

If you plan to use IBM Systems Director to manage the server, you must check for the latest applicable IBM Systems Director updates and interim fixes.

Note: Changes are made periodically to the IBM website. The actual procedure might vary slightly from what is described in this document.

To locate and install a newer version of IBM Systems Director, complete the following steps:

1. Check for the latest version of IBM Systems Director:
 - a. Go to <http://www.ibm.com/systems/software/director/downloads/index.html>.
 - b. If a newer version of IBM Systems Director than what comes with the server is shown in the drop-down list, follow the instructions on the web page to download the latest version.
2. Install the IBM Systems Director program.

If your management server is connected to the Internet, to locate and install updates and interim fixes, complete the following steps:

1. Make sure that you have run the Discovery and Inventory collection tasks.
2. On the Welcome page of the IBM Systems Director web interface, click **View updates**.
3. Click **Check for updates**. The available updates are displayed in a table.
4. Select the updates that you want to install, and click **Install** to start the installation wizard.

If your management server is not connected to the Internet, to locate and install updates and interim fixes, complete the following steps:

1. Make sure that you have run the Discovery and Inventory collection tasks.
2. On a system that is connected to the Internet, go to <http://www.ibm.com/support/fixcentral/>.
3. From the **Product family** list, select **IBM Systems Director**.

4. From the **Product** list, select **IBM Systems Director**.
5. From the **Installed version** list, select the latest version, and click **Continue**.
6. Download the available updates.
7. Copy the downloaded files to the management server.
8. On the management server, on the Welcome page of the IBM Systems Director web interface, click the **Manage** tab, and click **Update Manager**.
9. Click **Import updates** and specify the location of the downloaded files that you copied to the management server.
10. Return to the Welcome page of the web interface, and click **View updates**.
11. Select the updates that you want to install, and click **Install** to start the installation wizard.

Updating the Universal Unique Identifier (UUID)

The Universal Unique Identifier (UUID) must be updated when the system board is replaced. Use the Advanced Settings Utility to update the UUID in the UEFI-based server. The ASU is an online tool that supports several operating systems. Make sure that you download the version for your operating system. You can download the ASU from the IBM website. To download the ASU and update the UUID, go to <http://www.ibm.com/supportportal/>.

1. Download the Advanced Settings Utility (ASU):
 - a. Go to <http://www.ibm.com/support/entry/portal/docdisplay?&Indocid=TOOL-CENTER>.
 - b. Scroll down to **Configuration** and click **Advanced Settings Utility**.
 - c. In the next window under Related Information, click the **Advanced Settings Utility** link and download the ASU version for your operating system.
2. ASU sets the UUID in the Integrated Management Module II (IMM2). Select one of the following methods to access the Integrated Management Module II (IMM2) to set the UUID:
 - Online from the target system (LAN or keyboard console style (KCS) access)
 - Remote access to the target system (LAN based)
 - Bootable media containing ASU (LAN or KCS, depending upon the bootable media)
3. Copy and unpack the ASU package, which also includes other required files, to the server. Make sure that you unpack the ASU and the required files to the same directory. In addition to the application executable (asu or asu64), the following files are required:
 - For Windows based operating systems:
 - `ibm_rndis_server_os.inf`
 - `device.cat`
 - For Linux based operating systems:
 - `cdc_interface.sh`
4. After you install ASU, use the following command syntax to set the UUID:


```
asu set SYSTEM_PROD_DATA.SysInfoUUID <uuid_value> [access_method]
```

Where:

`<uuid_value>`
Up to 16-byte hexadecimal value assigned by you.

[access_method]

The access method that you selected to use from the following methods:

- Online authenticated LAN access, type the command:
[host <imm_internal_ip>] [user <imm_user_id>] [password <imm_password>]

Where:

imm_internal_ip

The IMM internal LAN/USB IP address. The default value is 169.254.95.118.

imm_user_id

The IMM account (1 of 12 accounts). The default value is USERID.

imm_password

The IMM account password (1 of 12 accounts). The default value is PASSWORD (with a zero 0 not an O).

Note: If you do not specify any of these parameters, ASU will use the default values. When the default values are used and ASU is unable to access the IMM2 using the online authenticated LAN access method, ASU will automatically use the unauthenticated KCS access method.

The following commands are examples of using the userid and password default values and not using the default values:

Example that does not use the userid and password default values:
asu set SYSTEM_PROD_DATA.SysInfoUUID <uuid_value> --user <user_id> --password <password>

Example that does use the userid and password default values:
asu set SYSTEM_PROD_DATA.SysInfoUUID <uuid_value>

- Online KCS access (unauthenticated and user restricted):
You do not need to specify a value for *access_method* when you use this access method.

Example:

asu set SYSTEM_PROD_DATA.SysInfoUUID <uuid_value>

The KCS access method uses the IPMI/KCS interface. This method requires that the IPMI driver be installed. Some operating systems have the IPMI driver installed by default. ASU provides the corresponding mapping layer. See “IBM Advanced Settings Utility program” on page 360 or the *Advanced Settings Utility Users Guide* for more details.

- Remote LAN access, type the command:

Note: When using the remote LAN access method to access IMM2 using the LAN from a client, the *host* and the *imm_external_ip* address are required parameters.

host <imm_external_ip> [user <imm_user_id>] [password <imm_password>]

Where:

imm_external_ip

The external IMM LAN IP address. There is no default value. This parameter is required.

imm_user_id

The IMM account (1 of 12 accounts). The default value is USERID.

imm_password

The IMM account password (1 of 12 accounts). The default value is PASSWORD (with a zero 0 not an O).

The following commands are examples of using the userid and password default values and not using the default values:

Example that does not use the userid and password default values:
asu set SYSTEM_PROD_DATA.SysInfoUUID <uuid_value> --host <imm_ip>
--user <user_id> --password <password>

Example that does use the userid and password default values:
asu set SYSTEM_PROD_DATA.SysInfoUUID <uuid_value> --host <imm_ip>

- Bootable media:

You can also build a bootable media using the applications available through the Tools Center website at <http://publib.boulder.ibm.com/infocenter/toolsctr/v1r0/index.jsp>. From the left pane, click **IBM System x and BladeCenter Tools Center**, then click **Tool reference** for the available tools.

5. Restart the server.

Updating the DMI/SMBIOS data

The Desktop Management Interface (DMI) must be updated when the system board is replaced. Use the Advanced Settings Utility to update the DMI in the UEFI-based server. The ASU is an online tool that supports several operating systems. Make sure that you download the version for your operating system. You can download the ASU from the IBM website. To download the ASU and update the DMI, go to <http://www.ibm.com/supportportal/>.

1. ASU sets the DMI in the Integrated Management Module II (IMM2). Select one of the following methods to access the Integrated Management Module II (IMM2) to set the DMI:
 - Online from the target system (LAN or keyboard console style (KCS) access)
 - Remote access to the target system (LAN based)
 - Bootable media containing ASU (LAN or KCS, depending upon the bootable media)
2. Copy and unpack the ASU package, which also includes other required files, to the server. Make sure that you unpack the ASU and the required files to the same directory. In addition to the application executable (asu or asu64), the following files are required:
 - For Windows based operating systems:
 - ibm_rndis_server_os.inf
 - device.cat
 - For Linux based operating systems:
 - cdc_interface.sh
3. After you install ASU, Type the following commands to set the DMI:

```
asu set SYSTEM_PROD_DATA.SysInfoProdName <m/t_model> [access_method]
asu set SYSTEM_PROD_DATA.SysInfoProdIdentifier <system model> [access_method]
asu set SYSTEM_PROD_DATA.SysInfoSerialNum <s/n> [access_method]
asu set SYSTEM_PROD_DATA.SysEncloseAssetTag <asset_tag> [access_method]
```

Where:

<m/t_model>

The server machine type and model number. Type *mtm xxxxyyy*, where *xxxx* is the machine type and *yyy* is the server model number.

< system model>

The system model. Type *system yyyyyyy*, where *yyyyyy* is the product identifier such as *x3550M3*.

<s/n>

The serial number on the server. Type *sn zzzzzzz*, where *zzzzzz* is the serial number.

<asset_method>

The server asset tag number. Type *asset aaaaaaaaaaaaaaaaaaaaaaaaaaaaaa*, where *aaaaaaaaaaaaaaaaaaaaaaaaaaaaa* is the asset tag number.

[access_method]

The access method that you select to use from the following methods:

- Online authenticated LAN access, type the command:

```
[host <imm_internal_ip>] [user <imm_user_id>] [password <imm_password>]
```

Where:

imm_internal_ip

The IMM internal LAN/USB IP address. The default value is 169.254.95.118.

imm_user_id

The IMM account (1 of 12 accounts). The default value is USERID.

imm_password

The IMM account password (1 of 12 accounts). The default value is PASSWORD (with a zero 0 not an O).

Note: If you do not specify any of these parameters, ASU will use the default values. When the default values are used and ASU is unable to access the IMM2 using the online authenticated LAN access method, ASU will automatically use the following unauthenticated KCS access method.

The following commands are examples of using the userid and password default values and not using the default values:

Examples that do not use the userid and password default values:

```
asu set SYSTEM_PROD_DATA.SysInfoProdName <m/t_model>
--user <imm_user_id> --password <imm_password>
asu set SYSTEM_PROD_DATA.SysInfoProdIdentifier <system model>
--user <imm_user_id> --password <imm_password>
asu set SYSTEM_PROD_DATA.SysInfoSerialNum <s/n> --user <imm_user_id>
--password <imm_password>
asu set SYSTEM_PROD_DATA.SysEncloseAssetTag <asset_tag>
--user <imm_user_id> --password <imm_password>
```

Examples that do use the userid and password default values:

```
asu set SYSTEM_PROD_DATA.SysInfoProdName <m/t_model>
asu set SYSTEM_PROD_DATA.SysInfoProdIdentifier <system model>
asu set SYSTEM_PROD_DATA.SysInfoSerialNum <s/n>
asu set SYSTEM_PROD_DATA.SysEncloseAssetTag <asset_tag>
```

- Online KCS access (unauthenticated and user restricted):

You do not need to specify a value for *access_method* when you use this access method.

The KCS access method uses the IPMI/KCS interface. This method requires that the IPMI driver be installed. Some operating systems have the IPMI driver installed by default. ASU provides the corresponding mapping layer. See the *Advanced Settings Utility Users Guide* at <http://www-947.ibm.com/systems/support/supportsite.wss/docdisplay?brandind=5000008&Indocid=MIGR-55021> for more details.

The following commands are examples of using the userid and password default values and not using the default values:

Examples that do not use the userid and password default values:

```
asu set SYSTEM_PROD_DATA.SysInfoProdName <m/t_model>
asu set SYSTEM_PROD_DATA.SysInfoProdIdentifier <system model>
asu set SYSTEM_PROD_DATA.SysInfoSerialNum <s/n>
asu set SYSTEM_PROD_DATA.SysEncloseAssetTag <asset_tag>
```

- Remote LAN access, type the command:

Note: When using the remote LAN access method to access IMM2 using the LAN from a client, the *host* and the *imm_external_ip* address are required parameters.

```
host <imm_external_ip> [user <imm_user_id>][password <imm_password>]
```

Where:

imm_external_ip

The external IMM LAN IP address. There is no default value. This parameter is required.

imm_user_id

The IMM account (1 of 12 accounts). The default value is USERID.

imm_password

The IMM account password (1 of 12 accounts). The default value is PASSWORD (with a zero 0 not an O).

The following commands are examples of using the userid and password default values and not using the default values:

Examples that do not use the userid and password default values:

```
asu set SYSTEM_PROD_DATA.SysInfoProdName <m/t_model> --host <imm_ip>
--user <imm_user_id> --password <imm_password>
asu set SYSTEM_PROD_DATA.SysInfoProdIdentifier <system model> --host <imm_ip>
--user <imm_user_id> --password <imm_password>
asu set SYSTEM_PROD_DATA.SysInfoSerialNum <s/n> --host <imm_ip>
--user <imm_user_id> --password <imm_password>
asu set SYSTEM_PROD_DATA.SysEncloseAssetTag <asset_tag> --host <imm_ip>
--user <imm_user_id> --password <imm_password>
```

Examples that do use the userid and password default values:

```
asu set SYSTEM_PROD_DATA.SysInfoProdName <m/t_model> --host <imm_ip>
asu set SYSTEM_PROD_DATA.SysInfoProdIdentifier <system model> --host <imm_ip>
asu set SYSTEM_PROD_DATA.SysInfoSerialNum <s/n> --host <imm_ip>
asu set SYSTEM_PROD_DATA.SysEncloseAssetTag <asset_tag> --host <imm_ip>
```

- Bootable media:

You can also build a bootable media using the applications available through the Tools Center website at <http://publib.boulder.ibm.com/infocenter/toolscfr/>

v1r0/index.jsp. From the left pane, click **IBM System x and BladeCenter Tools Center**, then click **Tool reference** for the available tools.

4. Restart the server.

Appendix A. Getting help and technical assistance

If you need help, service, or technical assistance or just want more information about IBM products, you will find a wide variety of sources available from IBM to assist you. This section contains information about where to go for additional information about IBM and IBM products, what to do if you experience a problem with your system, and whom to call for service, if it is necessary.

Before you call

Before you call, make sure that you have taken these steps to try to solve the problem yourself:

- Check all cables to make sure that they are connected.
- Check the power switches to make sure that the system and any optional devices are turned on.
- Use the troubleshooting information in your system documentation, and use the diagnostic tools that come with your system. Information about diagnostic tools is in Chapter 3, “Diagnostics,” on page 17.
- Go to the IBM support website at <http://www.ibm.com/supportportal/> to check for technical information, hints, tips, and new device drivers or to submit a request for information.

You can solve many problems without outside assistance by following the troubleshooting procedures that IBM provides in the online help or in the documentation that is provided with your IBM product. The documentation that comes with IBM systems also describes the diagnostic tests that you can perform. Most systems, operating systems, and programs come with documentation that contains troubleshooting procedures and explanations of error messages and error codes. If you suspect a software problem, see the documentation for the operating system or program.

Using the documentation

Information about your IBM system and preinstalled software, if any, or optional device is available in the documentation that comes with the product. That documentation can include printed documents, online documents, readme files, and help files. See the troubleshooting information in your system documentation for instructions for using the diagnostic programs. The troubleshooting information or the diagnostic programs might tell you that you need additional or updated device drivers or other software. IBM maintains pages on the World Wide Web where you can get the latest technical information and download device drivers and updates. To access these pages, go to <http://www.ibm.com/supportportal/> and follow the instructions. Also, some documents are available through the IBM Publications Center at <http://www.ibm.com/shop/publications/order/>.

Getting help and information from the World Wide Web

On the World Wide Web, the IBM website has up-to-date information about IBM systems, optional devices, services, and support. The address for IBM System x[®] and xSeries information is <http://www.ibm.com/systems/x/>. The address for IBM BladeCenter[®] information is <http://www.ibm.com/systems/bladecenter/>. The address for IBM IntelliStation[®] information is <http://www.ibm.com/intellistation/>.

You can find service information for IBM systems and optional devices at <http://www.ibm.com/supportportal/>.

Software service and support

Through IBM Support Line, you can get telephone assistance, for a fee, with usage, configuration, and software problems with System x and xSeries servers, BladeCenter products, IntelliStation workstations, and appliances. For information about which products are supported by Support Line in your country or region, see <http://www.ibm.com/services/sl/products/>.

For more information about Support Line and other IBM services, see <http://www.ibm.com/services/>, or see <http://www.ibm.com/planetwide/> for support telephone numbers. In the U.S. and Canada, call 1-800-IBM-SERV (1-800-426-7378).

Hardware service and support

You can receive hardware service through your IBM reseller or IBM Services. To locate a reseller authorized by IBM to provide warranty service, go to <http://www.ibm.com/partnerworld/> and click **Find a Business Partner** on the right side of the page. For IBM support telephone numbers, see <http://www.ibm.com/planetwide/>. In the U.S. and Canada, call 1-800-IBM-SERV (1-800-426-7378).

In the U.S. and Canada, hardware service and support is available 24 hours a day, 7 days a week. In the U.K., these services are available Monday through Friday, from 9 a.m. to 6 p.m.

IBM Taiwan product service

台灣 IBM 產品服務聯絡方式：
台灣國際商業機器股份有限公司
台北市松仁路7號3樓
電話：0800-016-888

IBM Taiwan product service contact information:

IBM Taiwan Corporation
3F, No 7, Song Ren Rd.
Taipei, Taiwan
Telephone: 0800-016-888

Appendix B. Notices

This information was developed for products and services offered in the U.S.A.

IBM may not offer the products, services, or features discussed in this document in other countries. Consult your local IBM representative for information on the products and services currently available in your area. Any reference to an IBM product, program, or service is not intended to state or imply that only that IBM product, program, or service may be used. Any functionally equivalent product, program, or service that does not infringe any IBM intellectual property right may be used instead. However, it is the user's responsibility to evaluate and verify the operation of any non-IBM product, program, or service.

IBM may have patents or pending patent applications covering subject matter described in this document. The furnishing of this document does not give you any license to these patents. You can send license inquiries, in writing, to:

*IBM Director of Licensing
IBM Corporation
North Castle Drive
Armonk, NY 10504-1785
U.S.A.*

INTERNATIONAL BUSINESS MACHINES CORPORATION PROVIDES THIS PUBLICATION "AS IS" WITHOUT WARRANTY OF ANY KIND, EITHER EXPRESS OR IMPLIED, INCLUDING, BUT NOT LIMITED TO, THE IMPLIED WARRANTIES OF NON-INFRINGEMENT, MERCHANTABILITY OR FITNESS FOR A PARTICULAR PURPOSE. Some states do not allow disclaimer of express or implied warranties in certain transactions, therefore, this statement may not apply to you.

This information could include technical inaccuracies or typographical errors. Changes are periodically made to the information herein; these changes will be incorporated in new editions of the publication. IBM may make improvements and/or changes in the product(s) and/or the program(s) described in this publication at any time without notice.

Any references in this information to non-IBM websites are provided for convenience only and do not in any manner serve as an endorsement of those websites. The materials at those websites are not part of the materials for this IBM product, and use of those websites is at your own risk.

IBM may use or distribute any of the information you supply in any way it believes appropriate without incurring any obligation to you.

Trademarks

IBM, the IBM logo, and [ibm.com](http://www.ibm.com) are trademarks of International Business Machines Corp., registered in many jurisdictions worldwide. Other product and service names might be trademarks of IBM or other companies. A current list of IBM trademarks is available on the web at "Copyright and trademark information" at <http://www.ibm.com/legal/copytrade.shtml>.

Adobe and PostScript are either registered trademarks or trademarks of Adobe Systems Incorporated in the United States and/or other countries.

Cell Broadband Engine is a trademark of Sony Computer Entertainment, Inc., in the United States, other countries, or both and is used under license therefrom.

Intel, Intel Xeon, Itanium, and Pentium are trademarks or registered trademarks of Intel Corporation or its subsidiaries in the United States and other countries.

Java and all Java-based trademarks and logos are trademarks or registered trademarks of Oracle and/or its affiliates.

Linux is a registered trademark of Linus Torvalds in the United States, other countries, or both.

Microsoft, Windows, and Windows NT are trademarks of Microsoft Corporation in the United States, other countries, or both.

UNIX is a registered trademark of The Open Group in the United States and other countries.

Important notes

Processor speed indicates the internal clock speed of the microprocessor; other factors also affect application performance.

CD or DVD drive speed is the variable read rate. Actual speeds vary and are often less than the possible maximum.

When referring to processor storage, real and virtual storage, or channel volume, KB stands for 1024 bytes, MB stands for 1,048,576 bytes, and GB stands for 1,073,741,824 bytes.

When referring to hard disk drive capacity or communications volume, MB stands for 1,000,000 bytes, and GB stands for 1,000,000,000 bytes. Total user-accessible capacity can vary depending on operating environments.

Maximum internal hard disk drive capacities assume the replacement of any standard hard disk drives and population of all hard disk drive bays with the largest currently supported drives that are available from IBM.

Maximum memory might require replacement of the standard memory with an optional memory module.

IBM makes no representation or warranties regarding non-IBM products and services that are ServerProven[®], including but not limited to the implied warranties of merchantability and fitness for a particular purpose. These products are offered and warranted solely by third parties.

IBM makes no representations or warranties with respect to non-IBM products. Support (if any) for the non-IBM products is provided by the third party, not IBM.

Some software might differ from its retail version (if available) and might not include user manuals or all program functionality.

Particulate contamination

Attention: Airborne particulates (including metal flakes or particles) and reactive gases acting alone or in combination with other environmental factors such as humidity or temperature might pose a risk to the server that is described in this document. Risks that are posed by the presence of excessive particulate levels or concentrations of harmful gases include damage that might cause the server to malfunction or cease functioning altogether. This specification sets forth limits for particulates and gases that are intended to avoid such damage. The limits must not be viewed or used as definitive limits, because numerous other factors, such as temperature or moisture content of the air, can influence the impact of particulates or environmental corrosives and gaseous contaminant transfer. In the absence of specific limits that are set forth in this document, you must implement practices that maintain particulate and gas levels that are consistent with the protection of human health and safety. If IBM determines that the levels of particulates or gases in your environment have caused damage to the server, IBM may condition provision of repair or replacement of servers or parts on implementation of appropriate remedial measures to mitigate such environmental contamination. Implementation of such remedial measures is a customer responsibility.

Table 17. Limits for particulates and gases

Contaminant	Limits
Particulate	<ul style="list-style-type: none">The room air must be continuously filtered with 40% atmospheric dust spot efficiency (MERV 9) according to ASHRAE Standard 52.2¹.Air that enters a data center must be filtered to 99.97% efficiency or greater, using high-efficiency particulate air (HEPA) filters that meet MIL-STD-282.The deliquescent relative humidity of the particulate contamination must be more than 60%².The room must be free of conductive contamination such as zinc whiskers.
Gaseous	<ul style="list-style-type: none">Copper: Class G1 as per ANSI/ISA 71.04-1985³Silver: Corrosion rate of less than 300 Å in 30 days

¹ ASHRAE 52.2-2008 - *Method of Testing General Ventilation Air-Cleaning Devices for Removal Efficiency by Particle Size*. Atlanta: American Society of Heating, Refrigerating and Air-Conditioning Engineers, Inc.

² The deliquescent relative humidity of particulate contamination is the relative humidity at which the dust absorbs enough water to become wet and promote ionic conduction.

³ ANSI/ISA-71.04-1985. *Environmental conditions for process measurement and control systems: Airborne contaminants*. Instrument Society of America, Research Triangle Park, North Carolina, U.S.A.

Documentation format

The publications for this product are in Adobe Portable Document Format (PDF) and should be compliant with accessibility standards. If you experience difficulties when you use the PDF files and want to request a web-based format or accessible PDF document for a publication, direct your mail to the following address:

*Information Development
IBM Corporation
205/A015
3039 E. Cornwallis Road
P.O. Box 12195
Research Triangle Park, North Carolina 27709-2195*

U.S.A.

In the request, be sure to include the publication part number and title.

When you send information to IBM, you grant IBM a nonexclusive right to use or distribute the information in any way it believes appropriate without incurring any obligation to you.

Telecommunication regulatory statement

This product is not intended to be connected directly or indirectly by any means whatsoever to interfaces of public telecommunications networks, nor is it intended to be used in a public services network.

Electronic emission notices

When you attach a monitor to the equipment, you must use the designated monitor cable and any interference suppression devices that are supplied with the monitor.

Federal Communications Commission (FCC) statement

Note: This equipment has been tested and found to comply with the limits for a Class A digital device, pursuant to Part 15 of the FCC Rules. These limits are designed to provide reasonable protection against harmful interference when the equipment is operated in a commercial environment. This equipment generates, uses, and can radiate radio frequency energy and, if not installed and used in accordance with the instruction manual, may cause harmful interference to radio communications. Operation of this equipment in a residential area is likely to cause harmful interference, in which case the user will be required to correct the interference at his own expense.

Properly shielded and grounded cables and connectors must be used in order to meet FCC emission limits. IBM is not responsible for any radio or television interference caused by using other than recommended cables and connectors or by unauthorized changes or modifications to this equipment. Unauthorized changes or modifications could void the user's authority to operate the equipment.

This device complies with Part 15 of the FCC Rules. Operation is subject to the following two conditions: (1) this device may not cause harmful interference, and (2) this device must accept any interference received, including interference that may cause undesired operation.

Industry Canada Class A emission compliance statement

This Class A digital apparatus complies with Canadian ICES-003.

Avis de conformité à la réglementation d'Industrie Canada

Cet appareil numérique de la classe A est conforme à la norme NMB-003 du Canada.

Australia and New Zealand Class A statement

Attention: This is a Class A product. In a domestic environment this product may cause radio interference in which case the user may be required to take adequate measures.

European Union EMC Directive conformance statement

This product is in conformity with the protection requirements of EU Council Directive 2004/108/EC on the approximation of the laws of the Member States relating to electromagnetic compatibility. IBM cannot accept responsibility for any failure to satisfy the protection requirements resulting from a nonrecommended modification of the product, including the fitting of non-IBM option cards.

Attention: This is an EN 55022 Class A product. In a domestic environment this product may cause radio interference in which case the user may be required to take adequate measures.

Responsible manufacturer:

International Business Machines Corp.
New Orchard Road
Armonk, New York 10504
914-499-1900

European Community contact:

IBM Deutschland GmbH
Technical Regulations, Department M372
IBM-Allee 1, 71139 Ehningen, Germany
Telephone: +49 7032 15-2941
Email: lugi@de.ibm.com

Germany Class A statement

Deutschsprachiger EU Hinweis:

Hinweis für Geräte der Klasse A EU-Richtlinie zur Elektromagnetischen Verträglichkeit

Dieses Produkt entspricht den Schutzanforderungen der EU-Richtlinie 2004/108/EG zur Angleichung der Rechtsvorschriften über die elektromagnetische Verträglichkeit in den EU-Mitgliedsstaaten und hält die Grenzwerte der EN 55022 Klasse A ein.

Um dieses sicherzustellen, sind die Geräte wie in den Handbüchern beschrieben zu installieren und zu betreiben. Des Weiteren dürfen auch nur von der IBM empfohlene Kabel angeschlossen werden. IBM übernimmt keine Verantwortung für die Einhaltung der Schutzanforderungen, wenn das Produkt ohne Zustimmung der IBM verändert bzw. wenn Erweiterungskomponenten von Fremdherstellern ohne Empfehlung der IBM gesteckt/eingebaut werden.

EN 55022 Klasse A Geräte müssen mit folgendem Warnhinweis versehen werden: "Warnung: Dieses ist eine Einrichtung der Klasse A. Diese Einrichtung kann im Wohnbereich Funk-Störungen verursachen; in diesem Fall kann vom Betreiber verlangt werden, angemessene Maßnahmen zu ergreifen und dafür aufzukommen."

Deutschland: Einhaltung des Gesetzes über die elektromagnetische Verträglichkeit von Geräten

Dieses Produkt entspricht dem "Gesetz über die elektromagnetische Verträglichkeit von Geräten (EMVG)". Dies ist die Umsetzung der EU-Richtlinie 2004/108/EG in der Bundesrepublik Deutschland.

Zulassungsbescheinigung laut dem Deutschen Gesetz über die elektromagnetische Verträglichkeit von Geräten (EMVG) (bzw. der EMC EG Richtlinie 2004/108/EG) für Geräte der Klasse A

Dieses Gerät ist berechtigt, in Übereinstimmung mit dem Deutschen EMVG das EG-Konformitätszeichen - CE - zu führen.

Verantwortlich für die Einhaltung der EMV Vorschriften ist der Hersteller:

International Business Machines Corp.
New Orchard Road
Armonk, New York 10504
914-499-1900

Der verantwortliche Ansprechpartner des Herstellers in der EU ist:

IBM Deutschland
Technical Regulations, Department M456
IBM-Allee 1, 71137 Ehningen, Germany
Telephone: +49 7032 15-2937
Email: tjahn@de.ibm.com

Generelle Informationen:

Das Gerät erfüllt die Schutzanforderungen nach EN 55024 und EN 55022 Klasse A.

VCCI Class A statement

この装置は、クラス A 情報技術装置です。この装置を家庭環境で使用すると電波妨害を引き起こすことがあります。この場合には使用者が適切な対策を講ずるよう要求されることがあります。 VCCI-A

This is a Class A product based on the standard of the Voluntary Control Council for Interference (VCCI). If this equipment is used in a domestic environment, radio interference may occur, in which case the user may be required to take corrective actions.

Japan Electronics and Information Technology Industries Association (JEITA) statement

高調波ガイドライン適合品

Japanese Electronics and Information Technology Industries Association (JEITA)
Confirmed Harmonics Guideline (products less than or equal to 20 A per phase)

Korea Communications Commission (KCC) statement

이 기기는 업무용(A급)으로 전자파적합기기로서 판매자 또는 사용자는 이 점을 주의하시기 바라며, 가정외의 지역에서 사용하는 것을 목적으로 합니다.

This is electromagnetic wave compatibility equipment for business (Type A). Sellers and users need to pay attention to it. This is for any areas other than home.

Russia Electromagnetic Interference (EMI) Class A statement

ВНИМАНИЕ! Настоящее изделие относится к классу А.
В жилых помещениях оно может создавать радиопомехи, для
снижения которых необходимы дополнительные меры

People's Republic of China Class A electronic emission statement

声 明
此为 A 级产品。在生活环境中，
该产品可能会造成无线电干扰。
在这种情况下，可能需要用户对其
干扰采取切实可行的措施。

Taiwan Class A compliance statement

警告使用者：
這是甲類的資訊產品，在
居住的環境中使用時，可
能會造成射頻干擾，在這
種情況下，使用者會被要
求採取某些適當的對策。

Index

Numerics

- 2U chassis
 - installing 287
 - removing 286
- 2U chassis top cover
 - installing 285
 - removing 285

A

- ABR, automatic boot failure recovery 257
- ac good LED 191
- AC power supply LED errors 191
- accessible documentation 371
- adapter
 - installing 307
 - removing 306
- adapter, installation 307
- administrator password 350
- air baffle
 - installing 289
 - removing 288
- ASM event log 18, 19
- assertion event, system-event log 18
- assistance, getting 367
- attention notices 6
- automatic boot failure recovery (ABR) 257

B

- battery, system
 - installing 294
 - removing 292
 - replacing 292, 294
- before you install a legacy operating system 346
- blue-screen capture feature
 - overview 356
- Boot Manager program 344, 352
- button, presence detection 10

C

- caution statements 6
- checkout procedure 168
- checkpoint codes 18
- Class A electronic emission notice 372
- code updates 1
- components
 - server 263
- configuration
 - Nx boot failure 257
 - ServerGuide Setup and Installation CD 343
 - Setup utility 343
- configuration programs
 - LSI Configuration Utility 344
- configuring
 - with ServerGuide 346

- configuring hardware 344
- configuring your server 343
- connector
 - USB 10
 - video
 - front 10
- connectors
 - Ethernet 10
 - Ethernet systems-management 10
 - internal 13
 - serial 10
- contamination, particulate and gaseous 7, 371
- controllers
 - Ethernet 357
- creating
 - RAID array 359
- CRUs, replacing
 - adapter 306
 - DIMM 311
 - memory 311
 - system battery 292
- customer replaceable units (CRUs) 263

D

- danger statements 6
- dc good LED 191
- deassertion event, system-event log 18
- diagnosing a problem 3
- diagnostic
 - error codes 193
 - on-board programs, starting 192
 - programs, overview 192
 - test log, viewing 193
 - text message format 193
 - tools, overview 17
- diagnostic codes and messages
 - POST/UEFI 21
- DIMM
 - installing 312
 - order of installation for non-mirroring mode 315
 - removing 311
- DIMM installation sequence
 - memory mirrored channel 316
 - non-mirroring mode 315
- display problems 178
- documentation
 - updates 6
- documentation CD 5
- documentation format 371
- DSA 1
- DSA log 18, 19
- dual-port network adapter
 - installing 324
 - removing 323
- Dynamic System Analysis 1

E

- electrical input 8
- electronic emission Class A notice 372
- embedded hypervisor
 - using 356
- error codes 18
- error codes and messages
 - diagnostic 193
 - IMM2 32
 - messages, diagnostic 192
- error log
 - viewing 18
- error logs
 - clearing 20
- error symptoms
 - general 170
 - hard disk drive 170
 - intermittent 172
 - keyboard, non-USB 173
 - memory 175
 - microprocessor 177
 - monitor 178
 - mouse, non-USB 173
 - optional devices 180
 - pointing device, non-USB 173
 - power 182
 - serial port 187
 - ServerGuide 188
 - software 189
 - USB port 189
- errors
 - AC power supply LEDs 191
 - format, diagnostic code 193
- Ethernet
 - controller
 - troubleshooting 259
 - systems-management connector 10
- Ethernet activity
 - LED 10
- Ethernet connection
 - LED 10
- Ethernet connector 10
- Ethernet controller configuration 344
- event log 18
- event log, POST 18
- event log, system 18
- event logs 1, 18
- event logs, methods for viewing 19

F

- fan assembly
 - installing
 - 2U chassis 292
 - removing
 - 2U chassis 291
- FCC Class A notice 372
- features 7
 - ServerGuide 345

- firmware, server
 - starting the backup 353
- firmware, server, recovering 255
- firmware, server, updating 331
- firmware, updating 343
- formatting
 - a hard disk drive 359
- front
 - view 9
- front view
 - connectors 9
 - LED location 9

G

- gaseous contamination 7, 371
- getting help 367
- GPGPU enclosure
 - installing 284, 326
 - removing 283, 325
- grease, thermal 336

H

- hard disk drive
 - formatting 359
 - installing (simple-swap SATA) 296
 - problems 170
 - removing (simple-swap SATA) 295
 - simple-swap SATA 295
 - specifications 7
- hard drive activity
 - LED 10
- hardware service and support 368
- hardware, configuring 344
- heat sink
 - installing 330, 336
 - removing 327
- help, getting 367

I

- IBM Advanced Settings Utility program
 - overview 360
- IBM Support Line 368
- IBM Systems Director
 - updating 360
- IMM2 344, 353
 - error messages 32
- IMM2 heartbeat
 - LED 191
- important notices 6
- installation guidelines 277
- installing
 - 2U chassis 287
 - 2U chassis top cover 285
 - adapter 307
 - air baffle 289
 - battery, system 294
 - DIMM 312
 - dual-port network adapter 324

- installing (*continued*)
 - fan assembly
 - 2U chassis 292
 - GPGPU enclosure 284, 326
 - heat sink 330, 336
 - memory 312
 - microprocessor 330
 - PCI riser-card assembly 305
 - power cord 299, 301
 - power supply
 - 2U chassis 319
 - power supply cage
 - 2U chassis 323
 - simple-swap SAS/SATA drive cage 302
 - simple-swap SATA hard disk drive 296
 - system-board tray 340
 - 2U chassis 281
 - system-board tray cover 282
- integrated functions 8
- integrated management module II
 - error messages 32
 - event log 18, 19
 - programs 344
 - using 353
- intermittent problems 172
- internal connectors 13
- IP address
 - obtaining for IMM2 354
- IPMI event log 18, 19
- IPMItool 19

J

- jumper
 - UEFI boot recovery 255
- jumpers
 - system board 14

K

- keyboard problems 173

L

- LED
 - Ethernet activity 10
 - Ethernet connection 10
 - hard drive activity 10
 - IMM2 heartbeat 191
 - power-on 9
 - RTMM heartbeat 191
 - system locator 10
 - system-error 10
- LED errors
 - AC power supply 191
- LEDs
 - system board 15
- LEDs, system pulse 191
- legacy operating system
 - requirement 346
- License Agreement for Machine Code 5

- Licenses and Attributions Documents 5
- light path diagnostics 1, 189
- Linux license agreement 5
- LSI Configuration Utility program
 - starting 358
 - using 358

M

- memory
 - installing 312
 - removing 311
 - specifications 7
 - two-DIMM-per-channel (2DPC) 313
- memory mirrored channel
 - description 315
 - DIMM population sequence 316
- memory problems 175
- memory rank sparing
 - description 316
- menu choices
 - Setup utility 347
- messages
 - diagnostic 192
- messages, diagnostic
 - POST/UEFI 21
- methods, viewing event logs 19
- microprocessor
 - installing 330
 - problems 177
 - removing 327
 - specifications 7
- mirroring mode 315
- model and serial number
 - location 260
- monitor problems 178

N

- NOS installation
 - with ServerGuide 346
 - without ServerGuide 347
- notes 6
- notes, important 370
- notices 369
 - electronic emission 372
 - FCC, Class A 372
- notices and statements 6
- Nx boot failure 257

O

- obtaining
 - IP address for IMM2 354
- online service request 3
- online-spare mode 316
- operating-system event log 18, 19
- optional device problems 180

P

- particulate contamination 7, 371
- parts listing 263, 265
- parts, consumable 272
- parts, structural 272
- password 351
 - administrator 351
 - power-on 351
- password, power-on
 - switch on system board 351
- PCI
 - expansion slots 7
 - riser-card assembly 304, 305
- PCI riser-card assembly
 - installing 305
 - removing 304
- POST
 - error log 18
- POST error codes and event log 18
- POST event log 18
- POST/UEFI
 - diagnostic codes 21
- power
 - power-control button 9
 - specifications 8
 - supply 8
- power cord
 - installing 299, 301
 - removing 298, 300
- power cords 273
- power features
 - server 11
- power problems 182, 258
- power supply
 - installing
 - 2U chassis 319
 - installing cage
 - 2U chassis 323
 - removing
 - 2U chassis 317
 - removing cage
 - 2U chassis 322
- power-on LED 9, 11
- power-on password 350
- power-supply paddle card
 - installing in the tray 304
 - replacing in the tray 303
- presence detection button 10
- problem diagnosis 3
- problem isolation tables 170
- problems
 - Ethernet controller 259
 - hard disk drive 170
 - IMM2 32
 - intermittent 172
 - memory 175
 - microprocessor 177
 - monitor 178
 - mouse 173, 174
 - optional devices 180
 - pointing device 174

- problems (*continued*)
 - power 182, 258
 - serial port 187
 - software 189
 - undetermined 259
 - USB port 189
 - video 178, 189
- public services network, use in 372
- public telecommunications network, connection to 372
- publications 5
- PXE boot protocol
 - Setting 357

R

- rack installation instructions 5
- RAID array
 - creating 359
- rear
 - view 11
- rear view
 - connectors 11
 - LED location 11
- recovering the server firmware 255
- remind button 190
- remote presence feature
 - using 355
- removing
 - 2U chassis 286
 - 2U chassis top cover 285
 - adapter 306
 - air baffle 288
 - battery, system 292
 - DIMM 311
 - dual-port network adapter 323
 - fan assembly
 - 2U chassis 291
 - GPGPU enclosure 283, 325
 - heat sink 327
 - memory 311
 - microprocessor 327
 - PCI riser-card assembly 304
 - power cord 298, 300
 - power supply
 - 2U chassis 317
 - power supply cage
 - 2U chassis 322
 - simple-swap SAS/SATA drive cage 301
 - simple-swap SATA hard disk drive 295
 - system-board tray
 - 2U chassis 281
 - system-board tray cover 282
- replacement parts 263
- replacing
 - air baffle 289
 - battery, system 292, 294
- replacing in the tray
 - power-supply paddle card 303
- reset button 190
- RETAIN tips 3

RTMM heartbeat
LED 191

S

serial and model number
location 260
serial connector 10
serial port problems 187
server
power features 11
server components 263
server firmware
updating 331
server firmware, recovering 255
server replaceable units 263
server, backup firmware
starting 353
ServerGuide
features 345
NOS installation 346
setup 346
Setup and Installation CD 343
using 345
service request, online 3
Setup utility 343, 344, 347
menu choices 347
starting 347
using 347
shutting down the system-board tray 12
simple-swap SAS/SATA drive cage
installing 302
removing 301
simple-swap SATA hard disk drive
installing 296
removing 295
software problems 189
software service and support 368
specifications 7
starting
LSI Configuration Utility program 358
server firmware 353
Setup utility 347
statements and notices 6
structural parts 272
support, website 367
switches
system board 14
system
error LED, front 10
locator LED, front 10
system board
internal connectors 13
LEDs 15
power-on password switch 351
switches and jumpers 14
system event log 18
system pulse LEDs 191
system-board tray
installing 340
2U chassis 281

system-board tray (*continued*)
removing
2U chassis 281
replacing 337
turning off 12
turning on 11
system-board tray cover
installing 282
removing 282
system-board tray shutdown 12
system-event log 18
system-event log, assertion event 18
system-event log, deassertion event 18
systems management
Ethernet connector 10

T

telephone numbers 368
test log, viewing 193
thermal grease 336
TOE 8
tools, diagnostic 17
ToolsCenter for System x and BladeCenter 5
trademarks 369
tray, installing
power-supply paddle card 304
troubleshooting 3
turning off the system-board tray 12
turning on the system-board tray 11
two-DIMM-per-channel (2DPC)
requirement 313

U

UEFI
boot recovery jumper 255
undetermined problems 259
undocumented problems 3
United States electronic emission Class A notice 372
United States FCC Class A notice 372
Universal Serial Bus (USB) problems 189
UpdateXpress 2, 343
updating
firmware 343
IBM Systems Director 360
server firmware 331
Systems Director, IBM 360
USB
connector 10
using
embedded hypervisor 356
IMM2 353
integrated management module II 353
remote presence feature 355
the LSI Configuration Utility program 358
the Setup utility 347
utility
Setup 347
Utility program
IBM Advanced Settings 360

utility, Setup 344

V

video connector

front 10

video problems 178

viewing event log 19

VMware Hypervisor support 344

W

Wake on LAN feature 11

warranty 5

website

publication ordering 367

support 367

support line, telephone numbers 368

UEFI flash diskette 255



Part Number: 00KC102

Printed in USA

(1P) P/N: 00KC102

