

Lenovo RackSwitch G7052

Installation Guide

Lenovo[™]

Important Product Information—

Before using this information and the product it supports, read [Appendix B, “Notices”](#) on [page 85](#) of this manual. Also read the product *Warranty Information* document and the *Important Notices* document included with the product, and the *Safety Information* document, the *License Agreement for Machine Code (LAMC)* document, and the *Environmental Notices and User Guide* document on the *Documentation CD* included with the product.

Fourth Edition (July 2017)

© Copyright Lenovo 2017
Portions © Copyright IBM Corporation 2014.

LIMITED AND RESTRICTED RIGHTS NOTICE: If data or software is delivered pursuant a General Services Administration “GSA” contract, use, reproduction, or disclosure is subject to restrictions set forth in Contract No. GS-35F-05925.

Lenovo and the Lenovo logo are trademarks of Lenovo in the United States, other countries, or both.

Contents

Safety Information	.7
Read the Safety Information	7
Safety Statements	9
Other Important Safety Notices	14
Chapter 1. The RackSwitch G7052	15
Introduction	15
G7052 Documentation	16
About this <i>Installation Guide</i>	16
Notices and Statements in this Document	16
The Documentation CD	17
Related Documentation	17
Chapter 2. Switch Components	19
Switch Unit	19
Management Panel	20
RJ-45 Serial Console Port	20
RJ-45 Management Port	21
Reset Button	21
System Status LEDs	22
USB Port	22
Switching Ports	23
SFP+ Ports	23
RJ-45 Ports	24
Rear Panel	25
Fans	25
Power Supply	25
Chapter 3. Installing G7052 Hardware and Options	29
Before Installing the G7052	30
Recording Important Product Information	30
Required Tools	31
Package Contents	31
Environmental Requirements	31
Preventing Electric Shock	32
Handling Static-Sensitive Devices	34
Cabling Guidelines	34
Installing the G7052 in a Rack	35
Installing the G7052 in a Standard Equipment Rack	35
Installing the G7052 in a Lenovo System x or Power Rack	39
Installing the G7052 in a Lenovo iDataPlex Rack	44
Installing the Air-Duct Option	48
Installing Port Transceivers	52
Installing an SFP Copper Transceiver	52
Installing an SFP Optical Transceiver	52
Installing an SFP+ Optical Transceiver	54

Chapter 4. Removing and Replacing G7052 Components	57
Removing Port Transceivers	57
Removing the G7052 from a Standard Equipment Rack	59
Removing the G7052 from a Lenovo System x or Power Rack.	61
Removing the G7052 from a Lenovo iDataPlex Rack	64
Removing the Air-Duct Option.	67
Replacing the G7052	68
Preparing and Returning the G7052	68
Configuring Vital Product Data.	68
Chapter 5. Initializing the G7052.	71
System Status LEDs.	71
Connecting to the Switch	71
Using the Serial Console Port.	71
Using the Management Port	72
Logging In to the Switch.	72
Default Configuration Files	72
Configuring an IP Interface for Remote Access	73
Updating Firmware.	74
Using the Boot Management Menu	74
Chapter 6. Troubleshooting	77
System LED Is Not Lit.	78
Port Link LED Is Not Lit.	79
Temperature Sensor Warning	80
Switch Does Not Initialize (Boot)	81
Appendix A. Getting Help and Technical Assistance	83
Appendix B. Notices	85
Trademarks	87
Important Notes	88
Recycling information.	89
Particulate Contamination.	90
Telecommunication Regulatory Statement	91
Electronic Emission Notices	92
Federal Communications Commission (FCC) Statement	92
Industry Canada Class A Emission Compliance Statement	92
Avis de Conformité à la Réglementation d'Industrie Canada	92
Australia and New Zealand Class A Statement	92
European Union - Compliance to the Electromagnetic Compatibility Directive	92
Germany Class A Compliance Statement.	93
VCCI Class A Statement	94
Japan Electronics and Information Technology Industries Association	

(JEITA) Statement94
Korea Communications Commission (KCC) Statement.94
Russia Electromagnetic Interference (EMI) Class A Statement.95
People’s Republic of China Class A Electronic Emission Statement.95
Taiwan Class A Compliance Statement.95
Taiwan BSMI RoHS declaration95
Appendix C. Technical Specifications	97
Physical Characteristics98
Environmental Specifications.99
Power Specifications	100
Switching Performance	101

Safety Information

Read the Safety Information

Before installing this product, read the Safety Information.

قبل تركيب هذا المنتج، يجب قراءة الملاحظات الأمنية

Antes de instalar este produto, leia as Informações de Segurança.

在安装本产品之前，请仔细阅读 **Safety Information** (安全信息)。

安裝本產品之前，請先閱讀「安全資訊」。

Prije instalacije ovog produkta obavezno pročitajte Surgonosne Upute.

Před instalací tohoto produktu si přečtěte příručku bezpečnostních instrukcí.

Læs sikkerhedsforskrifterne, før du installerer dette produkt.

Lees voordat u dit product installeert eerst de veiligheidsvoorschriften.

Ennen kuin asennat tämän tuotteen, lue turvaohjeet kohdasta Safety Information.

Avant d'installer ce produit, lisez les consignes de sécurité.

Vor der Installation dieses Produkts die Sicherheitshinweise lesen.'

Πριν εγκαταστήσετε το προϊόν αυτό, διαβάστε τις Πληροφορίες ασφαλείας (safety information).

לפני שתתקינו מוצר זה, קראו את הוראות הבטיחות.

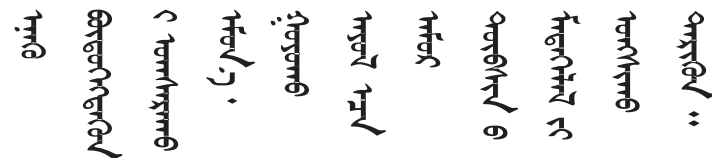
A termék telepítés előtt olvassa el a Biztonsági előírásokat!

Prima di installare questo prodotto, leggere le Informazioni sulla Sicurezza.

製品の設置の前に、安全情報をお読みください。

본 제품을 설치하기 전에 안전 정보를 읽으십시오.

Пред да инсталира овој продукт, прочитајте информацијата за безбедност.



Les sikkerhetsinformasjonen (Safety Information) før du installerer dette produktet.

Przed zainstalowaniem tego produktu, należy zapoznać się z książką "Informacje dotyczące bezpieczeństwa" (Safety Information).

Antes de instalar este produto, leia as Informações sobre Segurança.

Перед установкой продукта прочтите инструкции по технике безопасности.

Pred inštaláciou tohto zariadenia si prečítajte Bezpečnostné predpisy.

Pred namestitvijo tega proizvoda preberite Varnostne informacije.

Antes de instalar este producto, lea la información de seguridad.

Läs säkerhetsinformationen innan du installerar den här produkten.

ཐོན་ཁུངས་འདི་བདེ་སྤྱོད་མ་བྱས་གོང་། རྫོང་གི་ཡིད་གཟབ་
བྱ་འདུ་མིན་ཡོད་པའི་འོད་ཟེར་བལྟ་དགོས།

Bu ürünü kurmadan önce güvenlik bilgilerini okuyun.

مەزكۇر مەھسۇلاتنى ئورنىتىشتىن بۇرۇن بىخەتەرلىك ئۇچۇرلىرىنى ئوقۇپ چىقىڭ.

Youq mwngz yungh canjbinj neix gaxgonq, itdingh aeu doeg aen canjbinj soengq
cungj vahgangj ancien suisik.

Safety Statements

Important—

Each caution and danger statement in this document is labeled with a number. This number is used to cross reference the English-language caution or danger statement with the translated versions of the caution or danger statement in the *Safety Information* document.

For example, if a caution statement is labeled “Statement 1,” translations for that caution statement are in the *Safety Information* document under “Statement 1.”

Be sure to read all caution and danger statements in this document before you perform the procedures. Read any additional safety information that comes with the system or optional device before you install the device.

Following is a compilation of the statements found throughout this manual.

Statement 3



CAUTION:

When laser products (such as CD-ROMs, DVD drives, fiber optic devices, or transmitters) are installed, note the following:

- Do not remove the covers. Removing the covers of the laser product could result in exposure to hazardous laser radiation. There are no serviceable parts inside the device.
- Use of controls or adjustments or performance of procedures other than those specified herein might result in hazardous radiation exposure.



DANGER

Some laser products contain an embedded Class 3A or Class 3B laser diode. Note the following.

Laser radiation when open. Do not stare into the beam, do not view directly with optical instruments, and avoid direct exposure to the beam.



Class 1 Laser Product
Laser Klasse 1
Laser Klass 1
Luokan 1 Laserlaite
Appareil À Laser de Classe 1

Statement 5



CAUTION:

The power control button on the device and the power switch on the power supply do not turn off the electrical current supplied to the device. The device also might have more than one power cord. To remove all electrical current from the device, ensure that all power cords are disconnected from the power source.



Statement 8



CAUTION:

Never remove the cover on a power supply or any part that has the following label attached.



Hazardous voltage, current, and energy levels are present inside any component that has this label attached. There are no serviceable parts inside these components. If you suspect a problem with one of these parts, contact a service technician.

Statement 13



DANGER

Overloading a branch circuit is potentially a fire hazard and a shock hazard under certain conditions. To avoid these hazards, ensure that your system electrical requirements do not exceed branch circuit protection requirements. Refer to the information that is provided with your device for electrical specifications.

Statement 25

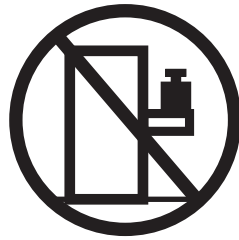


CAUTION:
This product contains a Class 1M laser. Do not view directly with optical instruments.

Statement 26



CAUTION:
Do not place any object on top of rack-mounted devices.





DANGER

Electrical current from power, telephone, and communication cables is hazardous.

To avoid a shock hazard:

- **Do not connect or disconnect any cables or perform installation, maintenance, or reconfiguration of this product during an electrical storm.**
- **Connect all power cords to a properly wired and grounded power source.**
- **Connect to properly wired power sources any equipment that will be attached to this product.**
- **When possible, use one hand only to connect or disconnect signal cables.**
- **Never turn on any equipment when there is evidence of fire, water, or structural damage.**
- **Disconnect the attached ac power cords, dc power sources, network connections, telecommunications systems, and serial cables before you open the device covers, unless instructed otherwise in the installation and configuration procedures.**
- **Connect and disconnect cables as described in the following table when you install, move, or open covers on this product or attached devices.**

To Connect:

1. Turn OFF all power sources and equipment that is to be attached to this product.
2. Attach signal cables to the product.
3. Attach power cords to the product.
 - For ac systems, use appliance inlets.
 - For dc systems, ensure correct polarity of -48 V dc connections: RTN is + and -48 V dc is -. Earth ground should use a two-hole lug for safety.
4. Attach signal cables to other devices.
5. Connect power cords to their sources.
6. Turn ON all the power sources.

To Disconnect:

1. Turn OFF all power sources and equipment that is to be attached to this product.
 - For ac systems, remove all power cords from the chassis power receptacles or interrupt power at the ac power distribution unit.
 - For dc systems, disconnect dc power sources at the breaker panel or by turning off the power source. Then, remove the dc cables.
2. Remove the signal cables from the connectors.
3. Remove all cables from the devices.

Statement 37



DANGER

When you populate a rack cabinet, adhere to the following guidelines:

- **Always lower the leveling pads on the rack cabinet.**
- **Always install the stabilizer brackets on the rack cabinet.**
- **Always install the heaviest devices in the bottom of the rack cabinet.**
- **Always install devices starting from the bottom of the rack cabinet.**
- **Do not extend multiple devices from the rack cabinet simultaneously, unless the rack-mounting instructions direction you to do so. Multiple devices extended into the service position can cause your rack cabinet to tip.**
- **If you are not using the Lenovo 9308 rack cabinet, securely anchor the rack cabinet to ensure its stability.**

Other Important Safety Notices

Important

This product is also designed for IT power distribution systems with phase-to-phase voltage of 230V.

This product is not intended for use in the direct field of view at visual display workplaces.

Important

Maschinenlärminformations-Verordnung—3. GPSGV, der höchste Schalldruckpegel beträgt 70 dB (A) oder weniger.

Chapter 1. The RackSwitch G7052

Introduction

This *Installation Guide* provides information about the Lenovo® RackSwitch™ G7052 (referred to as G7052 throughout this document).

The G7052 is a 1U rack-mountable aggregation switch with unmatched line-rate Layer 2 performance. The G7052 cascades two switching fabrics that provide simultaneous wire-speed transport of multiple packets at low latency on all ports.

The G7052 contains the following switching ports:

- Forty-eight Gigabit Ethernet (GbE) RJ-45 ports
- Four 10 GbE Small Form Pluggable Plus (SFP+) ports

SFP+ ports can be populated with optical or copper transceiver modules or Direct-Attach Cables (DACs).

The G7052 has rear-to-front airflow. It is 1U in height and can be mounted horizontally or vertically, depending on your application. Mounting options are available for a variety of rack systems.

You can manage the switch through the local console port, or through a remote network connection, a Web browser-based interface, or SNMP-based network management software.

Note: Other features supported on your switch depend on the specific firmware installed. For more information, see the *Application Guide* and *Command Reference* for your specific switch and its installed firmware.

G7052 Documentation

About this *Installation Guide*

This *Installation Guide* provides information and instructions for installing the G7052, updating the firmware, and solving problems. For other information about configuration and management of the switch, refer to the documents described in [“Related Documentation” on page 17](#).

Note:

- The illustrations in this document might differ slightly from your hardware.
- The console output described or referenced in this document might differ slightly from that displayed by your system. Output varies according to the type of Lenovo chassis and the firmware versions and options that are installed.

Notices and Statements in this Document

The *caution* and *danger* statements in this document are also in the multilingual *Safety Information* document, which is on the included *Documentation CD*. Each statement is numbered for reference to the corresponding statement in the *Safety Information* document.

The following notices and statements are used in this document:

- **Note:** These notices provide important tips, guidance, or advice.
- **Important:** These notices provide information or advice that might help you avoid inconvenient or problem situations.
- **Attention:** These notices indicate potential damage to programs, devices, or data. An attention notice is placed just before the instruction or situation in which damage could occur.
- **Caution:** These statements indicate situations that can be potentially hazardous to you. A caution statement is placed just before the description of a potentially hazardous procedure step or situation.
- **Danger:** These statements indicate situations that can be potentially lethal or extremely hazardous to you. A danger statement is placed just before the description of a potentially lethal or extremely hazardous procedure step or situation.

The Documentation CD

The included *Documentation* CD contains documentation for your switch in Portable Document Format (PDF).

The *Documentation* CD includes the product *Safety Information* document, the *License Machine Access Code (LAMC)* document, and the *Environmental Notices and User Guide* document.

The *Documentation* CD requires the following minimum hardware and software:

- Microsoft Windows NT 4.0 (with Service Pack 3 or later), Windows 2000, or Red Hat Linux.
- 100 MHz microprocessor.
- 32 MB of RAM.
- Adobe Acrobat Reader 3.0 (or later), or xpdf (which comes with Linux operating systems). PDF reader software is required for reading documents on the CD.

To access the documents on the CD:

- If you are using a Windows operating system, insert the CD into the CD or DVD drive and from My Computer, double click the CD or DVD drive, then open the folders and documents that support your product.
- If you are using a Linux operating system, insert the CD into the CD or DVD drive and run the following command from the `mnt/cd` directory:

```
sh.linux.sh
```

When the CD is mounted, open the directories and documents that support your product.

Related Documentation

Additional or updated product documents may be available from the Lenovo website. Such documents may cover features not described in the original documentation that comes with the switch, or may include technical updates or corrections.

You can obtain up-to-date information on the Lenovo support website:

<http://support.lenovo.com/>

Note: Changes are made periodically to the Lenovo website. Procedures for locating firmware and documentation might vary slightly from what is described in this document.

For information about switch hardware and firmware features, specifications, and standards, including their configuration, see the *Application Guide* for your specific switch and its installed firmware.

For information about the switch information, statistics, and individual configuration parameters, see the *Command Reference* guide for your specific switch and its installed firmware.

For a list of compatible switch components and options (such as rack-mounting kits, modules, cords, and cables), see the [Lenovo Networking Catalog](#).

Chapter 2. Switch Components

This chapter describes the G7052 hardware components.

Switch Unit

The G7052 is a 1U rack-mountable GbE switch with rear-to-front airflow. You can mount the switch in either the horizontal or vertical orientation.

The following illustrations show the features on the front and rear of the switch.

Figure 1. RackSwitch G7052 front panel

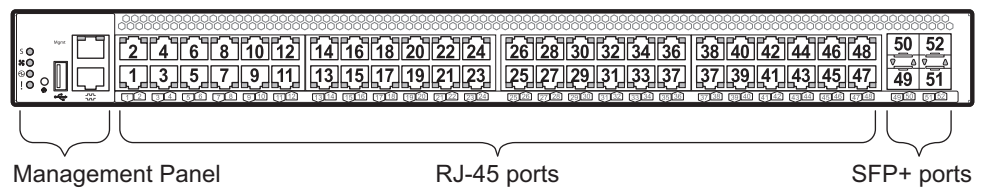


Figure 2. RackSwitch G7052 management panel detail

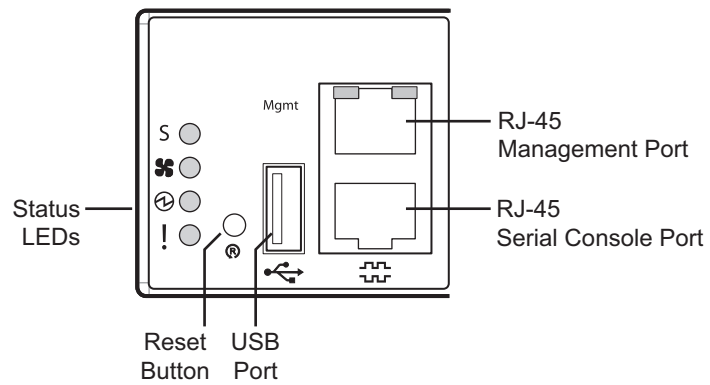
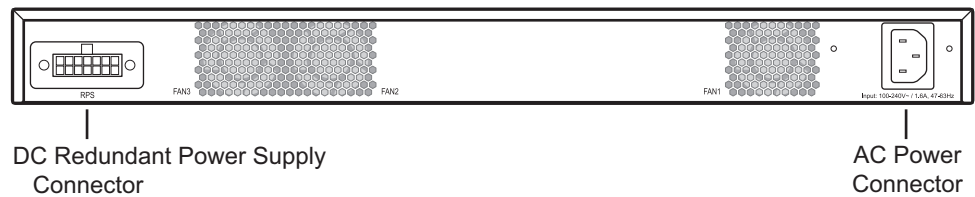


Figure 3. RackSwitch G7052 rear panel



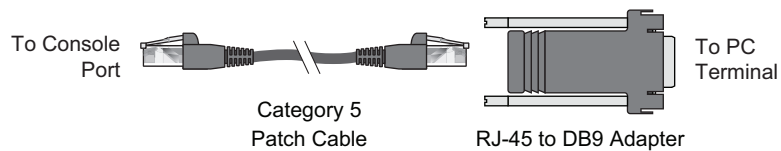
Management Panel

RJ-45 Serial Console Port

The RJ-45 port on the front management panel is available for switch console management. The port operates using RS-232 serial communications. A compatible console cable kit is included with the switch.

To connect a computer or terminal to the switch using the included kit, first connect one end of the Category 5 patch cable to the RJ-45 serial port on the G7052, then connect the other end of the patch cable to the RJ-45-to-DB9 adapter (see the following illustration).

Figure 4. Console cable connections



Note: The console cable kit includes a USB cable that is not supported for the G7052. You may discard this cable.

If using cables other than those from the included kit, ensure that they are compatible with the port pin assignments shown in the following table.

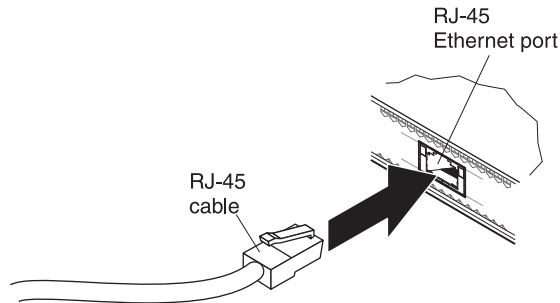
Table 1. Switch RJ-45 connector pin assignments

Pin Number	Function
1	Not applicable
2	Not applicable
3	TxD (Transmit Data)
4	GND (Ground)
5	GND (Ground)
6	RxD (Receive Data)
7	Not applicable
8	Not applicable

RJ-45 Management Port

The RJ-45 management port on the front panel supports 10/100/1000BASE-T, in-line switch management.

To attach an RJ-45 connector to the switch, push the RJ-45 cable connector into the port connector until it clicks into place.



To disconnect the RJ-45 cable, squeeze the release tab and gently pull the cable connector out of the switch connector.

RJ-45 Management LEDs

The RJ-45 management port LEDs are oriented as shown in the following figure.

Figure 5. RJ-45 management port LEDs



Status LEDs for the RJ-45 management port are described in the following table.

Table 2. RJ-45 status LEDs behavior

LED	State	Functional Meaning
Link/Activity	Steady green	Link up
	Flashing green	Activity
	Off	No link
Speed	Steady green	100/1000 Megabits per second (Mbps)
	Off	10 Mbps or no link

Reset Button

The Reset button is recessed within a hole on the front panel. Use a straightened paper clip or similar object to press the Reset button. The Reset button allows technicians to reset the switch as follows:

- Normal reset—Press and release Reset. The switch resets and reloads the configuration files.
- Factory reset—Press and hold Reset for more than five seconds. The switch resets and reverts all configuration settings to the factory defaults.

System Status LEDs

The following table describes the behavior of the system status LEDs:

Table 3. *System status LEDs behavior*

LED	State	Functional Meaning
All	Off	Total power failure.
! - Service	Steady blue	An operational command has been sent to light the LED so that this device can be more readily located.
	Flashing blue	Service is required due to failure of the general system, its cooling fans, stacking function ¹ , or its power supply. The specific failure is indicated in conjunction with the other system status LEDs.
Ⓜ - Power	Steady green	Power is OK.
	Flashing green	Power supply failure or disconnection. Service is required.
⚙ - Fans	Steady green	Fans are OK.
	Flashing green	Fan failure. Service is required.
S - Stacking ¹	Steady green	Device is a Backup/Member in a stack. ²
	Flashing green	Device is the Master in a stack. ²
	Off	Device is not a stacking member.

Note 1: Support for the stacking feature depends on the installed firmware. To determine whether your switch supports stacking, see the *Application Guide* for your specific switch and firmware version.

Note 2: If service required is due to a stacking error, this LED flashes or is steady green, depending on its last known good state.

USB Port

The USB port enables you to connect a USB drive to the switch. You can copy files from the switch to the USB drive, or from the USB drive to the switch. You can also start the switch using files on the USB drive.

For more information about using the USB drive, see the *Lenovo RackSwitch G7052 Release Notes*.

Switching Ports

The G7052 contains the following switching ports:

- Four 10 GbE SFP+ ports
- Forty-eight fixed 10/100/1000 megabits per second (Mbps) auto-sensing, auto-MDIX RJ-45 ports

SFP+ ports can be populated with optical or copper transceiver modules or Direct-Attach Cables (DACs).

For a list of compatible transceivers and DACs, see the [Lenovo Networking Catalog](#).

The switching ports are described in the following sections. For information about ports on the management panel, see “[Management Panel](#)” on page 20.

SFP+ Ports

Statement 3



CAUTION:

When laser products (such as CD-ROMs, DVD drives, fiber optic devices, or transmitters) are installed, note the following:

- Do not remove the covers. Removing the covers of the laser product could result in exposure to hazardous laser radiation. There are no serviceable parts inside the device.
- Use of controls or adjustments or performance of procedures other than those specified herein might result in hazardous radiation exposure.



DANGER

Some laser products contain an embedded Class 3A or Class 3B laser diode. Note the following.

Laser radiation when open. Do not stare into the beam, do not view directly with optical instruments, and avoid direct exposure to the beam.



Class 1 Laser Product
Laser Klasse 1
Laser Klass 1
Luokan 1 Laserlaite
Appareil À Laser de Classe 1

Four 10 GbE SFP+ ports are available on the front panel. These ports accept supported optical or copper SFP or SFP+ transceivers, or DACs. Transceivers must be purchased separately.

SFP+ LEDs

Status LEDs for the SFP+ ports are described in the following table.

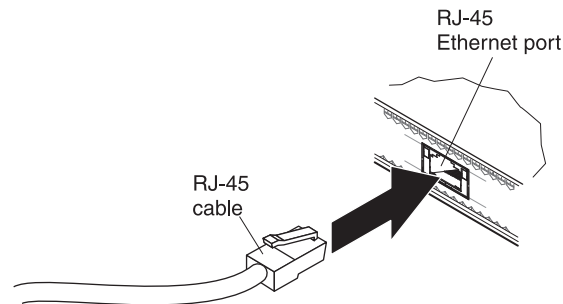
Table 4. SFP+ port status LED behavior

LED	State	Functional Meaning
Link/Activity	Steady green	Link up
	Off	No link
	Flashing green	Activity

RJ-45 Ports

There are forty-eight 10/100/1000BASE-T Gigabit Ethernet (GbE) RJ-45 ports on the front of the G7052.

To attach an RJ-45 connector to the switch, push the RJ-45 cable connector into the port connector until it clicks into place.



Note: Shielded twisted-pair cables are recommended for use with the RJ-45 management port.

RJ-45 LEDs

The RJ-45 port LEDs are oriented as shown [Figure 5](#).

Figure 6. RJ-45 port status LEDs



Status LEDs for the RJ-45 ports are described in the following table.

Table 5. RJ-45 port status LED behavior

LED	State	Functional Meaning
Link/Activity	Steady green	Link up
	Off	No link
	Flashing green	Activity
Speed	Steady green	100/1000 Mbps
	Off	10 Mbps or no link

Rear Panel

Fans

Three internal fans cool the switch unit. If an individual fan fails, the other fans continue to run, and the switch unit continues to operate normally.

Note: Fans are not customer replaceable.

Fan operation and internal temperatures are monitored. If the air temperature exceeds a desired threshold, the environmental monitor displays warnings.

Note: If a fan fails, the maximum operating temperature drops from +40°C (104°F) to +35°C (95°F).

If there is a failure of one or more fans, the front panel Fan LED flashes.

Power Supply

The rear panel of the G7052 has two power connectors. The IEC 320 power connector is for primary AC power when attached to a universal grounded AC power source. The DC power connector supports an external DC redundant power supply that can be purchased separately.

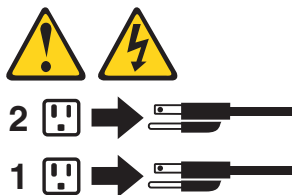
Compatible power options are listed in the [Lenovo Networking Catalog](#).

Statement 5



CAUTION:

The power control button on the device and the power switch on the power supply do not turn off the electrical current supplied to the device. The device also might have more than one power cord. To remove all electrical current from the device, ensure that all power cords are disconnected from the power source.





DANGER

Electrical current from power, telephone, and communication cables is hazardous.

To avoid a shock hazard:

- **Do not connect or disconnect any cables or perform installation, maintenance, or reconfiguration of this product during an electrical storm.**
- **Connect all power cords to a properly wired and grounded power source.**
- **Connect to properly wired power sources any equipment that will be attached to this product.**
- **When possible, use one hand only to connect or disconnect signal cables.**
- **Never turn on any equipment when there is evidence of fire, water, or structural damage.**
- **Disconnect the attached ac power cords, dc power sources, network connections, telecommunications systems, and serial cables before you open the device covers, unless instructed otherwise in the installation and configuration procedures.**
- **Connect and disconnect cables as described in the following table when you install, move, or open covers on this product or attached devices.**

To Connect:

1. Turn OFF all power sources and equipment that is to be attached to this product.
2. Attach signal cables to the product.
3. Attach power cords to the product.
 - For ac systems, use appliance inlets.
 - For dc systems, ensure correct polarity of -48 V dc connections: RTN is + and -48 V dc is -. Earth ground should use a two-hole lug for safety.
4. Attach signal cables to other devices.
5. Connect power cords to their sources.
6. Turn ON all the power sources.

To Disconnect:

1. Turn OFF all power sources and equipment that is to be attached to this product.
 - For ac systems, remove all power cords from the chassis power receptacles or interrupt power at the ac power distribution unit.
 - For dc systems, disconnect dc power sources at the breaker panel or by turning off the power source. Then, remove the dc cables.
2. Remove the signal cables from the connectors.
3. Remove all cables from the devices.

Using redundant power can minimize the power disruption during a power supply failure and extend the expected lifetime of each power supply by operating normally in a conservative power mode.

There is no power switch on the G7052 power modules; the switch powers up when power is supplied through the power cord to one or both power supplies.

On the front of the switch, the Power LED on the management panel indicates the general status of the power supplies. The LED flashes when only one power cord is connected, and is steady when both power cords are connected (see [“System Status LEDs”](#) on page 22).

Chapter 3. Installing G7052 Hardware and Options

This chapter describes how to install the G7052 hardware and options. The following topics are covered:

- [“Before Installing the G7052” on page 30](#)—
 - How to record important product information
 - Tools required for installation
 - A list of items included in the package
 - Environmental requirements
 - Vital safety information
- Installing the switch in one of the supported rack types—
 - [“Installing the G7052 in a Standard Equipment Rack” on page 35](#)
 - [“Installing the G7052 in a Lenovo System x or Power Rack” on page 39](#)
 - [“Installing the G7052 in a Lenovo iDataPlex Rack” on page 44](#)
- [“Installing the Air-Duct Option” on page 48](#)
- [“Installing Port Transceivers” on page 52](#)

Note: For information on removing or replacing installed G7052 components, see [Chapter 4, “Removing and Replacing G7052 Components,” on page 57](#).

Before Installing the G7052

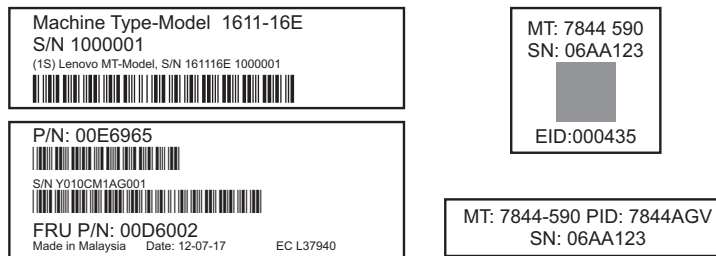
Recording Important Product Information

Attention: Product information is required in order to register your G7052, update its firmware, place a service call, or replace the unit.

Some of the product information labels may be hidden from view once the G7052 is installed. To prevent the need to remove the switch in order to read required product information, locate and record the information shown on [Table 6](#) prior to installation.

An example of the product information labels is shown as follows:

Figure 7. Sample product labels from bottom, top, and rear of the switch



Note: These examples are to help locate and identify the information labels. The actual labels and information for your specific switch may differ.

The identification labels on the front, rear, and/or bottom of the G7052 contain the Machine Type-Model (MTM) number, serial number, part number of the switch. These labels also include the Media Access Control (MAC) address (on the rear panel of unit) of the switch. Though helpful, the MAC address is not required for opening a service call.

Print this page and record product information below. Keep the information in a safe place for future reference. You will need this information when you register the switch or open a service call with Lenovo.

Table 6. Important product information

Product Name	RackSwitch G7052
Machine-Type Model	
Serial Number	
Part Number	
Media Access Control (MAC) address for switch	
MAC addresses for other components	

For convenience, once the G7052 is installed and initialized, you can use the `show sys - info` command in the switch firmware interface to display the product serial number and other required information. For more information, see [“Configuring Vital Product Data” on page 68](#).

Required Tools

You need the following tools or equipment to install the G7052:

- Standard flat-blade screwdriver
- #2 Phillips screwdriver
- Electrostatic discharge wrist strap

Package Contents

The basic G7052 package contains the following items:

- One RackSwitch G7052 unit with rear-to-front airflow
- One two-post mounting kit for standard 19" equipment racks:
 - Two mounting brackets
 - Screws to attach brackets to the switch unit
 - Screws to attach the switch unit to the equipment rack
- One console cable kit that includes:
 - One Mini-USB to RJ-45 serial cable (not used with this product)
 - One Category 5 patch cable
 - One DB9 to RJ-45 adapter
- One power cord retention kit
- One *Documentation* CD, which includes the *Systems Information* document
- One *Environmental Notices* CD
- One *Important Notices* document
- One *Warranty Information* document

For a list of compatible switch components and options (such as rack-mounting kits, modules, cords, and cables), see the [Lenovo Networking Catalog](#).

Environmental Requirements

This section describes the basic environmental requirements for the G7052. Make sure the location where you install the switch meets the following requirements:

- Install the switch unit in a dry, clean, well-ventilated area.
- Provide adequate space in the front and back of the switch unit, to ensure proper air flow.
- Make sure that an adequate grounded power supply is within reach of the switch unit.
- Make sure that twisted-pair cable is routed away from power lines, fluorescent lighting fixtures and other sources of electrical interference.

Preventing Electric Shock

This product does not contain any user-serviceable parts. Do not remove the cover of this device.

The G7052 AC power module is designed to work with single-phase power systems that have a grounded neutral conductor. For your safety, a power cord with a ground attachment plug is available to order for use with this product. To avoid electrical shock, always use an appropriate power cord and plug with a properly grounded outlet.

Power cords for this product that are used in the United States and Canada are listed by Underwriter's Laboratories (UL) and certified by the Canadian Standards Association (CSA).

For units intended to be operated at 115 volts: Use a UL-listed and CSA-certified cord set consisting of a minimum of 18 AWG, Type SVT or SJT, three-conductor cord, a maximum of 15 feet in length and a parallel blade, grounding-type attachment plug rated 15 amperes, 125 volts.

For units intended to be operated at 230 volts (U.S. use): Use a UL-listed and CSA-certified cord consisting of a minimum of 18 AWG, Type SVT or SJT, three-conductor cord, a maximum of 15 feet in length and a tandem blade, grounding-type attachment plug rated 15 amperes, 250 volts.

For units intended to be operated at 230 volts (outside the U.S.): Use a cord set with a grounding-type attachment plug. The cord set should have the appropriate safety approvals for the country in which the equipment will be installed.

Power cords for this product for a specific country or region are usually available only in that country or region.

Power cord installation should also conform to the recommendations listed in [“Cabling Guidelines” on page 34](#).



DANGER

Electrical current from power, telephone, and communication cables is hazardous.

To avoid a shock hazard:

- **Do not connect or disconnect any cables or perform installation, maintenance, or reconfiguration of this product during an electrical storm.**
- **Connect all power cords to a properly wired and grounded power source.**
- **Connect to properly wired power sources any equipment that will be attached to this product.**
- **When possible, use one hand only to connect or disconnect signal cables.**
- **Never turn on any equipment when there is evidence of fire, water, or structural damage.**
- **Disconnect the attached ac power cords, dc power sources, network connections, telecommunications systems, and serial cables before you open the device covers, unless instructed otherwise in the installation and configuration procedures.**
- **Connect and disconnect cables as described in the following table when you install, move, or open covers on this product or attached devices.**

To Connect:

1. Turn OFF all power sources and equipment that is to be attached to this product.
2. Attach signal cables to the product.
3. Attach power cords to the product.
 - For ac systems, use appliance inlets.
 - For dc systems, ensure correct polarity of -48 V dc connections: RTN is + and -48 V dc is -. Earth ground should use a two-hole lug for safety.
4. Attach signal cables to other devices.
5. Connect power cords to their sources.
6. Turn ON all the power sources.

To Disconnect:

1. Turn OFF all power sources and equipment that is to be attached to this product.
 - For ac systems, remove all power cords from the chassis power receptacles or interrupt power at the ac power distribution unit.
 - For dc systems, disconnect dc power sources at the breaker panel or by turning off the power source. Then, remove the dc cables.
2. Remove the signal cables from the connectors.
3. Remove all cables from the devices.

Handling Static-Sensitive Devices

Attention: Static electricity can damage the switch and other electronic devices. To avoid damage, keep static-sensitive devices in their static-protective packages until you are ready to install them.

To reduce the possibility of electrostatic discharge, observe the following precautions:

- Limit your movement. Movement can cause static electricity to build up around you.
- The use of a grounding system is recommended. For example, wear an electrostatic-discharge wrist strap, if one is available.
- Handle the device carefully, holding it by its edges or its frame.
- Do not touch solder joints, pins, or exposed printed circuitry.
- Do not leave the device where others can handle and damage it.
- While the device is still in its static-protective package, touch it to an unpainted metal part of any unpainted metal surface on a grounded rack component in the rack in which you are installing the device, for at least 2 seconds. This drains static electricity from the package and from your body.
- Remove the device from its package and install it directly into the switch without setting it down. If it is necessary to set down the device, put it back into its static-protective package. Do not place the device on a switch cover or on a metal surface.
- Take additional care when you handle devices during cold weather. Heating reduces indoor humidity and increases static electricity.

Cabling Guidelines

Make sure that all connection cables comply with the following recommendations:

- Make sure that the cables and cabling components comply with industry standards.
- Dress and affix cables to the rack to minimize the stress on the I/O connectors, connector cages, and cables. If possible, use horizontal and vertical cable managers to minimize obstruction of the airflow and other equipment.
- Use wide Velcro straps to reduce pressure points.
- Position large or heavy cable bundles under other cable bundles to prevent crushing or stress. Over-bundling, or placing multiple bundles on top of each other, can degrade performance.
- Make sure that the radius of any bend does not exceed the vendor recommended minimum bend radius.
- Do not stress cables and connectors by applying additional twists, tension beyond load ratings, stapling, or applying nylon tie-wraps with a tie-wrap puller.

Installing the G7052 in a Rack

The G7052 can be rack-mounted using one of the following mounting kits:

- For a standard 19-inch equipment rack, use the 2-post rack mounting brackets and screws included with the switch. Installation instructions begin on [page 35](#).
- For a Lenovo System x[®] or Power 4-post rack, use the Lenovo Adjustable 19" 4-Post Rail Kit. This kit must be purchased separately. Installation instructions begin on [page 39](#).
- For a Lenovo iDataPlex[®] rack, use the iDataPlex mounting kit. This kit must be purchased separately. Installation instructions begin on [page 44](#).

Installing the G7052 in a Standard Equipment Rack

This section describes how to install the G7052 in a standard 19-inch equipment rack using the mounting kit included with the switch. For information about mounting the switch in other supported racks, see the appropriate section in this chapter.

The following parts are included in the standard mounting kit.

Table 7. 2-post rack mount kit parts

Item number	Description	Quantity
1	Mounting brackets	2
2	M4 screws	8
3	M6 screws	4
4	M6 clip nuts	4
5	M6 cage nuts	4
6	M6 locking washers	4

Attention: The rack-mounting frame may be unable to support the weight of the switch with only the front post mounting brackets (2-post application). If the switch has an undesirable amount of sag, it is recommended to use a 4-post mounting kit.

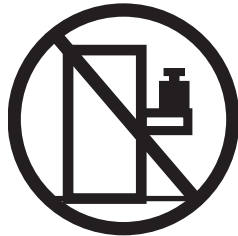
Attention: For earthquake stability, mount the switch in a 4-post rack.

Statement 26



CAUTION:

Do not place any object on top of rack-mounted devices.

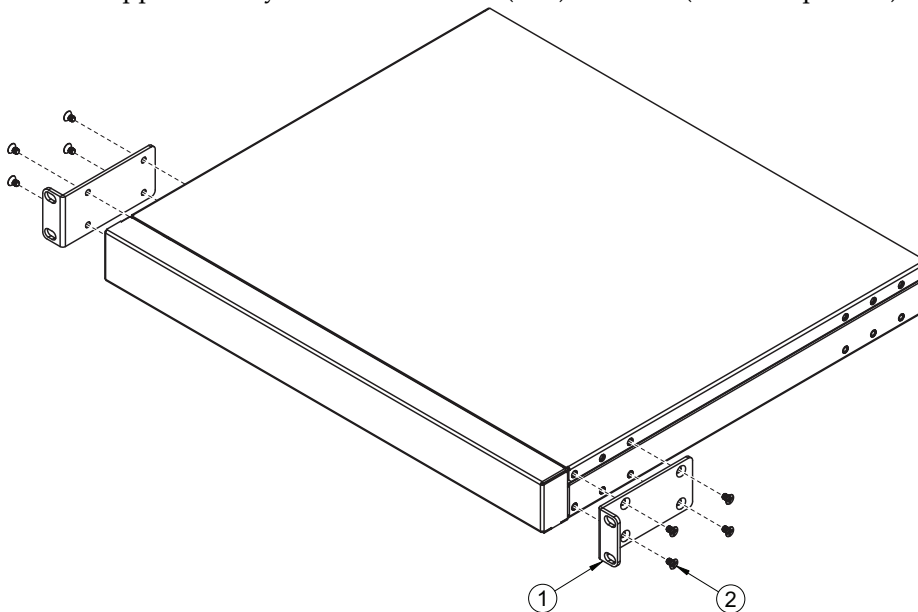


To install the G7052 in a standard equipment rack, complete the following steps:

1. Locate, record, and retain the product switch information in order to configure and register your product. See [“Recording Important Product Information”](#) on page 30.

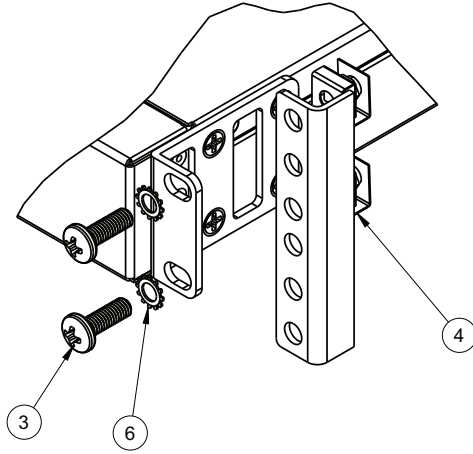
Note: If this switch is a replacement switch, copy the product information from the original switch onto the RID label that is shipped with replacement switch and affix the new label to the bottom of the new switch.

2. Attach a mounting bracket (Item 1) to each side of the switch with M4 screws (Item 2). Torque the screws to approximately 2.0 newton-meters (Nm) \pm 0.1 Nm (17.7 inch-pounds).



3. From the front, slide the switch into the rack at the desired height.

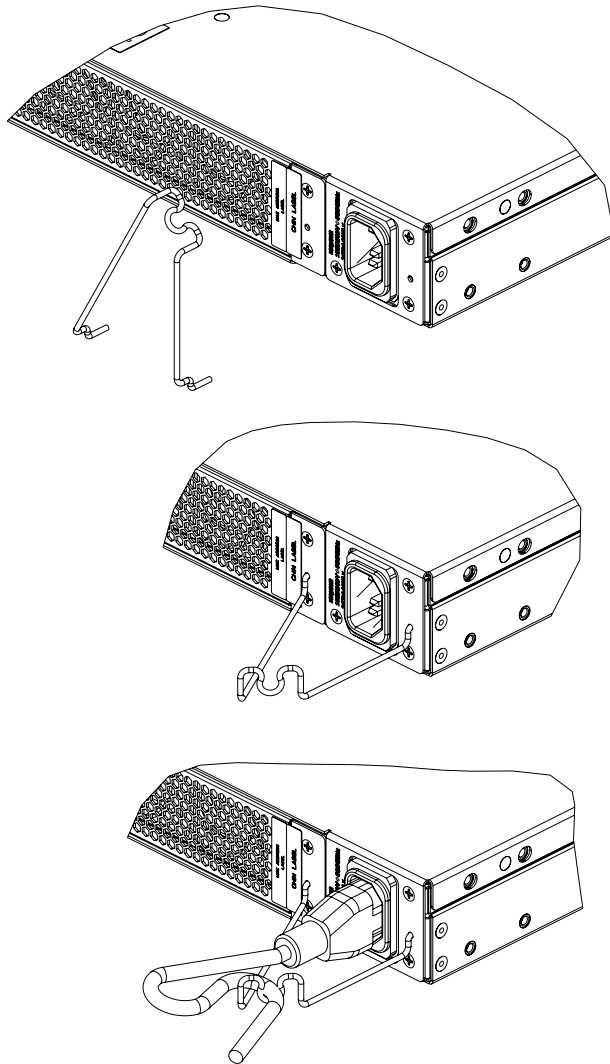
4. Secure the switch unit to the rack posts with M6 screws (Item 3), washers (Item 6), and either clip nuts (Item 4) or cage nuts (Item 5). Torque the screws to approximately 5.7 Nm \pm 0.1 Nm (50 inch-pounds).



5. If installing the 1U air-duct option, see the instruction on [page 48](#).

6. Connect all external cables in accordance with the [“Cabling Guidelines”](#) on [page 34](#).

7.If not using the 1U air-duct option, install the power cord retention clip.



Note: The power cord retention clip is not used when the 1U air-duct option is installed.

8.Initialize the switch. See [Chapter 5, “Initializing the G7052,”](#) on [page 71](#).

9.If the switch is a replacement unit, set Vital Product Data (see [“Configuring Vital Product Data”](#) on [page 68](#)).

Installing the G7052 in a Lenovo System x or Power Rack

This section describes how to install the G7052 in a Lenovo System x[®] or Power 4-post rack, using the Lenovo Adjustable 19" 4-Post Rail Kit.

This kit must be purchased separately. It includes the following parts:

Table 8. *Lenovo Adjustable 19" 4-Post Rail Kit parts*

Item number	Description	Quantity
1	Switch front bracket	2
2	M4 screws	16
3	M6 screws	8
4	M6 clip nuts	8
5	M6 cage nuts	8
6	M3.5 screws	4
7	Rear mounting bracket	1
8	Rear mounting bracket with cord exit	1
9	Filler plate	1
10	M6 locking washers	8

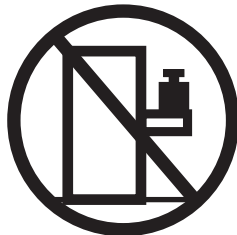
Note: When using a System x or Power 4-post rack, the 4-Post Rail Kit is compatible with the optional air-duct kit (available separately). See ["Installing the Air-Duct Option"](#) on page 48 for details.

Statement 26



CAUTION:

Do not place any object on top of rack-mounted devices.

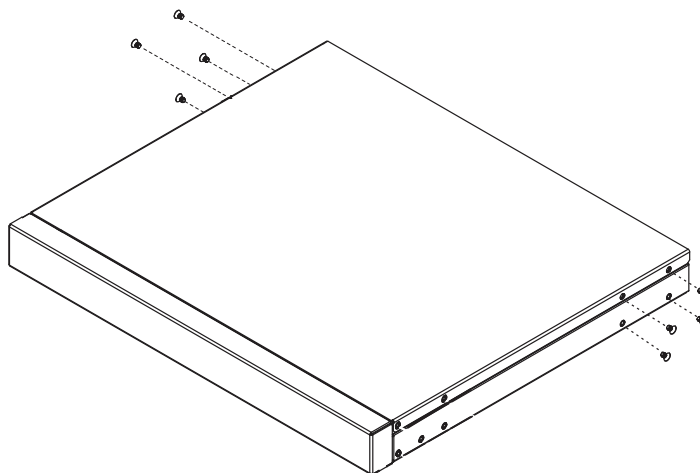


To install the G7052 in a System x or Power rack, complete the following steps:

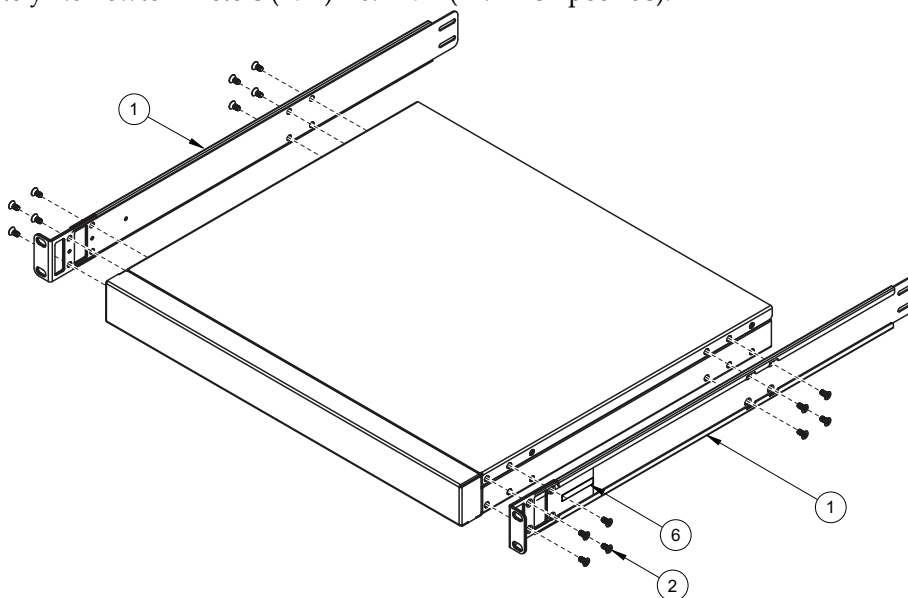
1. Locate, record, and retain the product switch information in order to configure and register your product. See [“Recording Important Product Information”](#) on page 30.

Note: If this switch is a replacement switch, copy the product information from the original switch onto the RID label that is shipped with replacement switch and affix the new label to the bottom of the new switch.

2. Remove the rear cover screws:

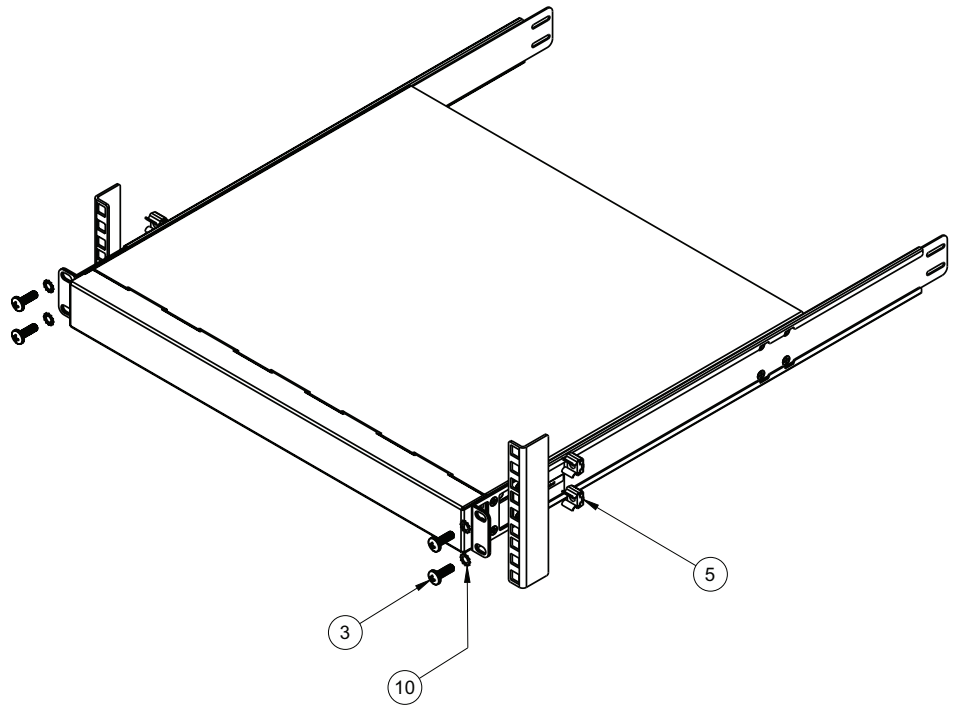


3. Attach the front mounting brackets (Item 1) to each side of the switch with M4 screws (Item 2). Torque the screws to approximately 2.0 newton-meters (Nm) \pm 0.1 Nm (17.7 inch-pounds).

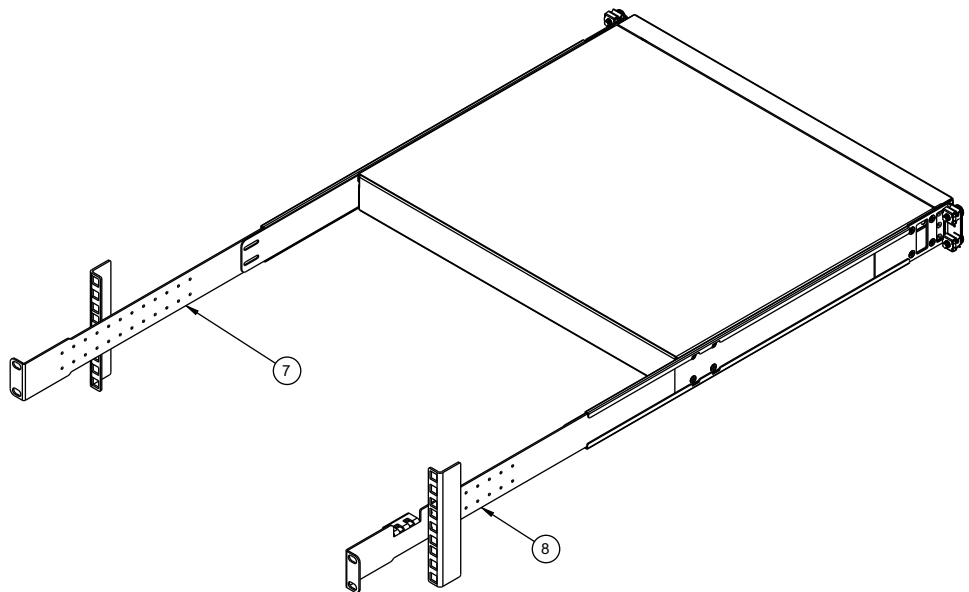


4. From the front, slide the switch into the rack at the desired height.

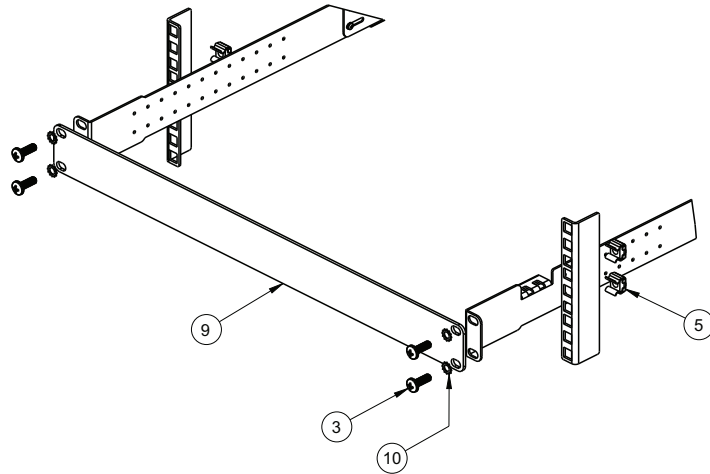
5. Secure the switch to the front rack posts with M6 screws (Item 3), washers (Item 10), and either clip nuts (Item 4) or cage nuts (Item 5). Torque the screws to approximately 5.7 Nm \pm 0.1 Nm (50 inch-pounds).



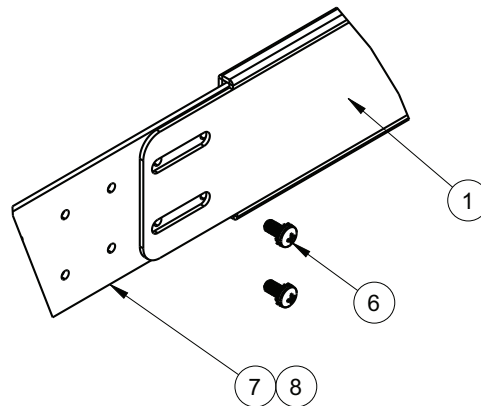
6. Slide the rear mounting brackets (Item 7 and Item 8) into the slots available on the front mounting brackets.



7. Attach the filler plate (Item 9) and rear mounting brackets to the rear rack posts with M6 screws (Item 3), washers (Item 10), and either clip nuts (Item 4) or cage nuts (Item 5). Torque the screws to approximately 5.7 Nm \pm 0.1 Nm (50 inch-pounds).



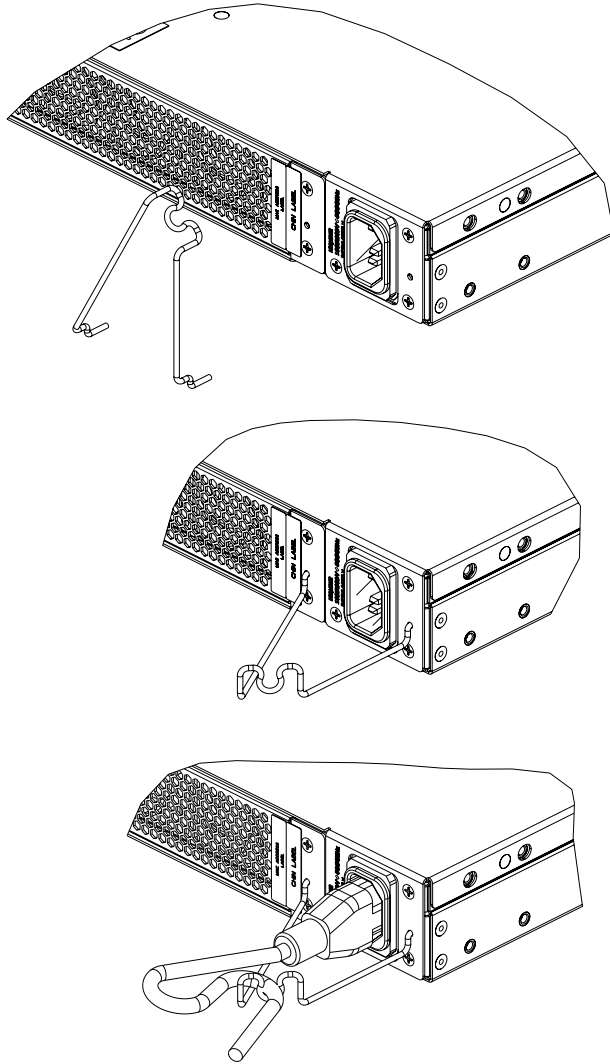
8. Secure the rear brackets to the front brackets with M3.5 screws (Item 6). Torque the screws to approximately 0.5 Nm (4 inch-pounds).



9. If installing the 1U air-duct option, see the instruction on [page 48](#).

10. Connect all external cables in accordance with the [“Cabling Guidelines”](#) on [page 34](#).

11.If not using the 1U air-duct option, install the power cord retention clip.



Note: The power cord retention clip is not used when the 1U air-duct option is installed.

12.Initialize the switch. See [Chapter 5, “Initializing the G7052,”](#) on [page 71](#).

13.If the switch is a replacement unit, set Vital Product Data (see [“Configuring Vital Product Data”](#) on [page 68](#)).

Installing the G7052 in a Lenovo iDataPlex Rack

This section describes how to install the G7052 in a Lenovo iDataPlex rack. The iDataPlex mounting kit allows the switch to be mounted either horizontally or vertically.

The kit must be purchased separately. It includes the following parts:

Table 9. *Lenovo Adjustable 19" 4-Post Rail Kit parts*

Item number	Description	Quantity
1	Switch front brackets	2
2	M4 screws	16
3	M6 screws	8
4	M6 clip nuts	8
5	M6 locking washers	8
6	Switch rear brackets	2
7	Rear alignment plates	2

Attention: The rack-mounting frame may not be able to support the weight of the networking switch with only the front post mounting brackets (2-post application). If the switch has an undesirable amount of sag, it is recommended to use a 4-post mounting kit.

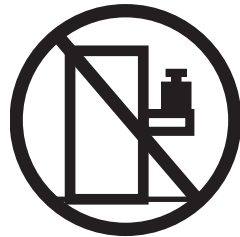
Attention: For earthquake stability, mount the switch in a 4-post rack.

Statement 26



CAUTION:

Do not place any object on top of rack-mounted devices.

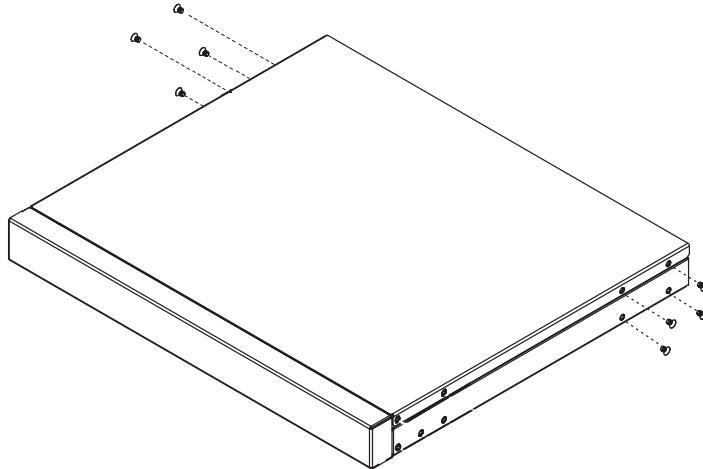


To install the G7052 in an iDataPlex rack, complete the following steps:

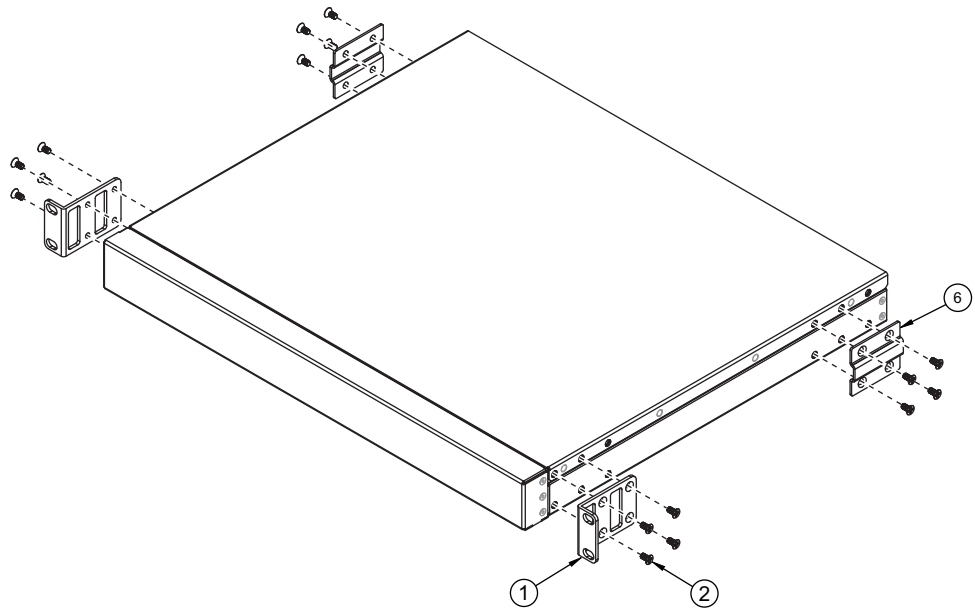
1. Locate, record, and retain the product switch information in order to configure and register your product. See [“Recording Important Product Information”](#) on page 30.

Note: If this switch is a replacement switch, copy the product information from the original switch onto the RID label that is shipped with replacement switch and affix the new label to the bottom of the new switch.

2. Remove the rear cover screws:

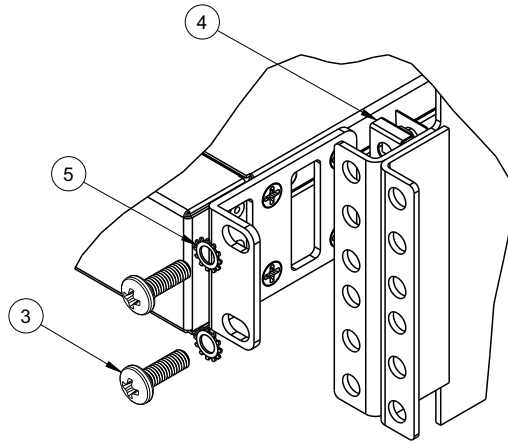


3. Attach front mounting brackets (Item 1) and rear mounting brackets (Item 6) to each side of the switch with M4 screws (Item 2). Torque the screws to approximately 2 newton-meters (Nm) +/- 0.1 Nm (17.7 inch-pounds).

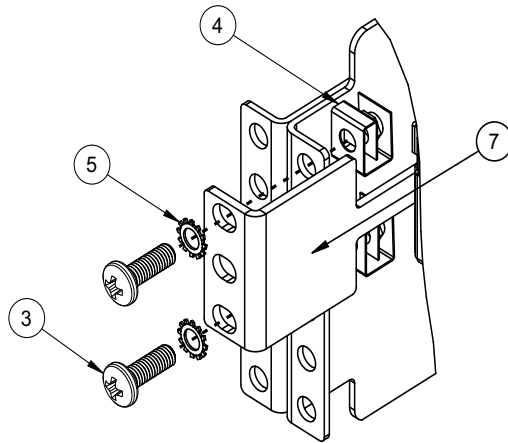


4. From the front, slide the switch into the rack at the desired height.

5. Secure the switch to the front rack posts with M6 screws (Item 3), washers (Item 5), and clip nuts (Item 4). Torque the screws to approximately 5.7 Nm +/- 0.1 Nm (50 inch-pounds).



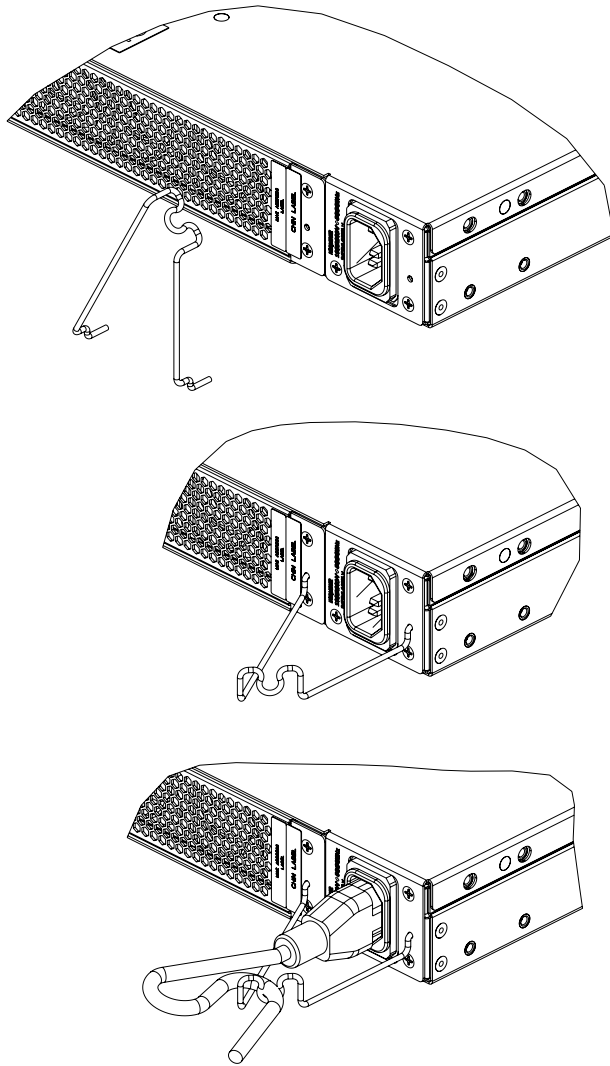
6. Attach the rear alignment plate (Item 7) to the rear rack posts with M6 screws (Item 3), washers (Item 5), and clip nuts (Item 4). Torque the screws to approximately 5.7 Nm +/- 0.1 Nm (50 inch-pounds).



7. If installing the 1U air-duct option, see the instruction on [page 48](#).

8. Connect all external cables in accordance with the [“Cabling Guidelines” on page 34](#).

9.If not using the 1U air-duct option, install the power cord retention clip.



Note: The power cord retention clip is not used when the 1U air-duct option is installed.

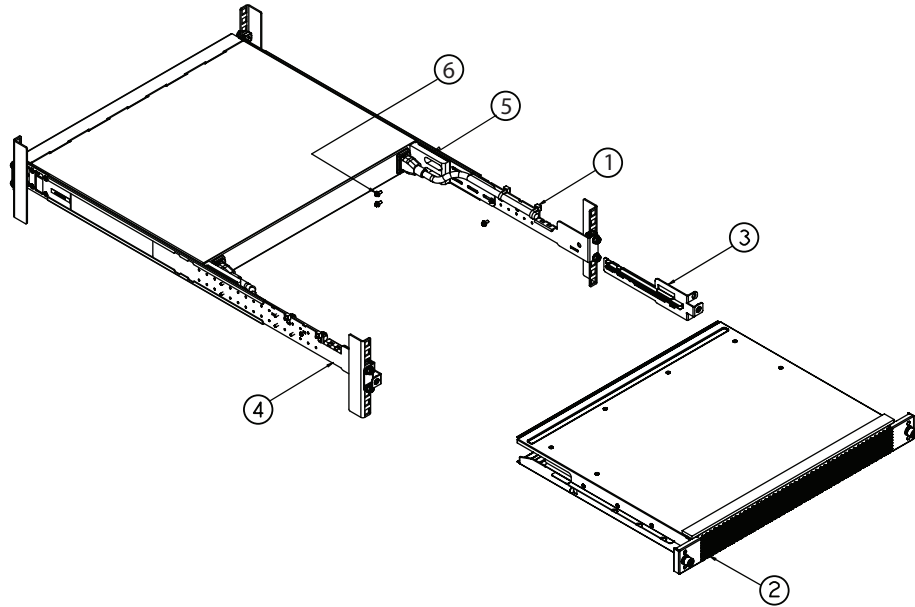
10.Initialize the switch. See [Chapter 5, “Initializing the G7052,”](#) on [page 71](#).

11.If the switch is a replacement unit, set Vital Product Data (see [“Configuring Vital Product Data”](#) on [page 68](#)).

Installing the Air-Duct Option

The G7052 supports an optional 1U air duct to maximize air flow conditions in a 19" rack.

For information on removing an installed 1U air-duct option, see [“Removing the Air-Duct Option”](#) on page 67.



The following table lists the parts included with the air-duct option kit.

Table 10. *Air-duct Option Kit parts*

Item Number	Description	Quantity
1	Cable tie	4
2	1U Duct sleeve (long)	1
3	Mounting bracket (left)	1
4	Mounting bracket (right)	1
5	Foam carrier assembly	2
6	M3.5 screws	6

Attention: The rack-mounting frame may not be able to support the weight of the networking switch with only the front post mounting brackets (2-post application). If the switch has an undesirable amount of sag, it is recommended to use a 4-post mounting kit.

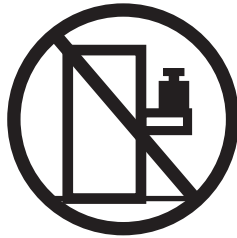
Attention: For earthquake stability, mount the switch in a 4-post rack.

Statement 26



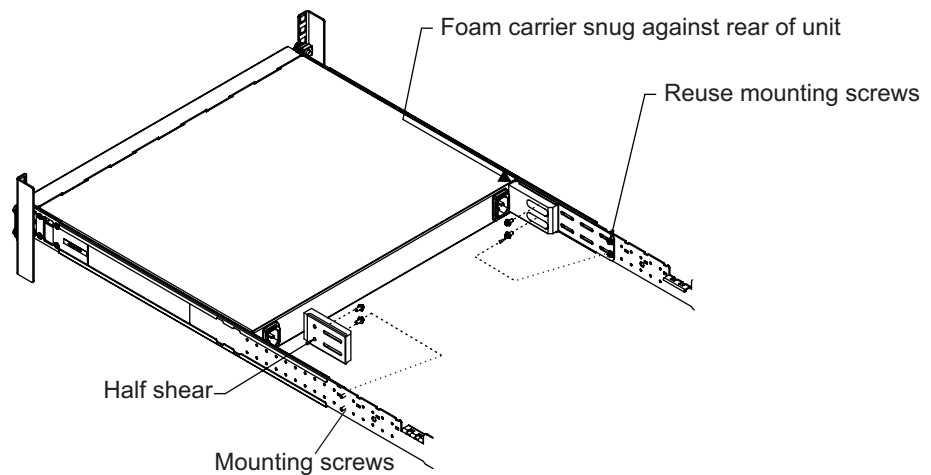
CAUTION:

Do not place any object on top of rack-mounted devices.



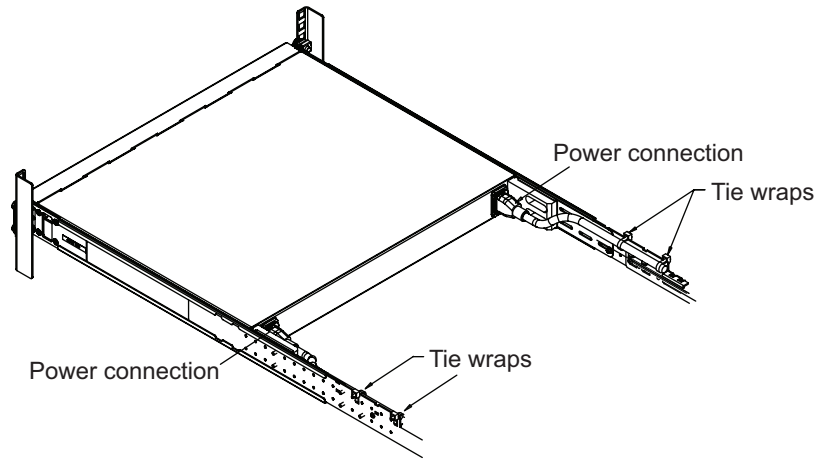
To install the 1U air-duct option in a 19" rack, complete the following steps.

1. Loosen and remove the mounting screws from both sides of the mounting rail and set them aside to reuse for securing the foam carrier in the next step.
2. Place the half shears on the rear side of the foam carriers and use the M3.5 mounting rail screws to secure the foam carrier assemblies snugly against the rear of the G7052 unit. Torque the screws to approximately 1.1 Nm \pm 0.1 Nm (10 inch-pounds).

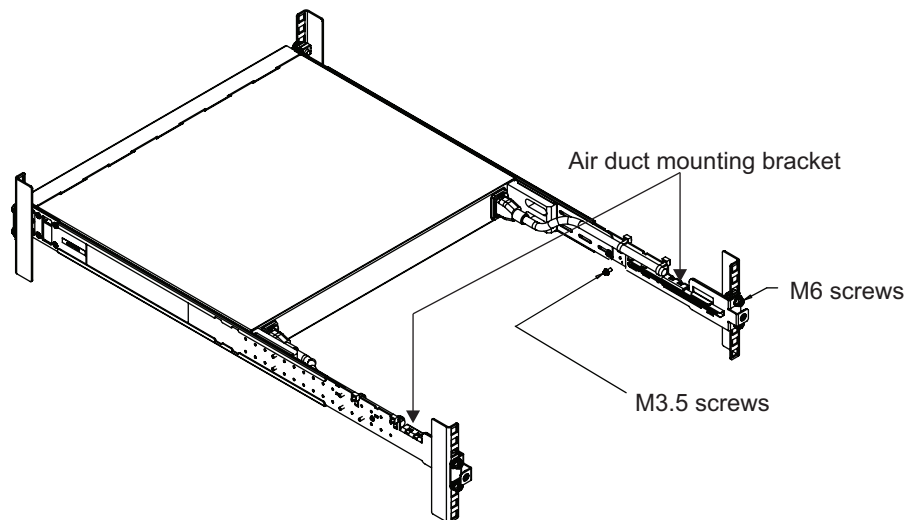


Note: There are additional M3.5 screws in the air-duct assembly kit.

3. Plug the power cords into their respective G7052 power connectors and using tie wraps, secure the power cords to the mounting rails.

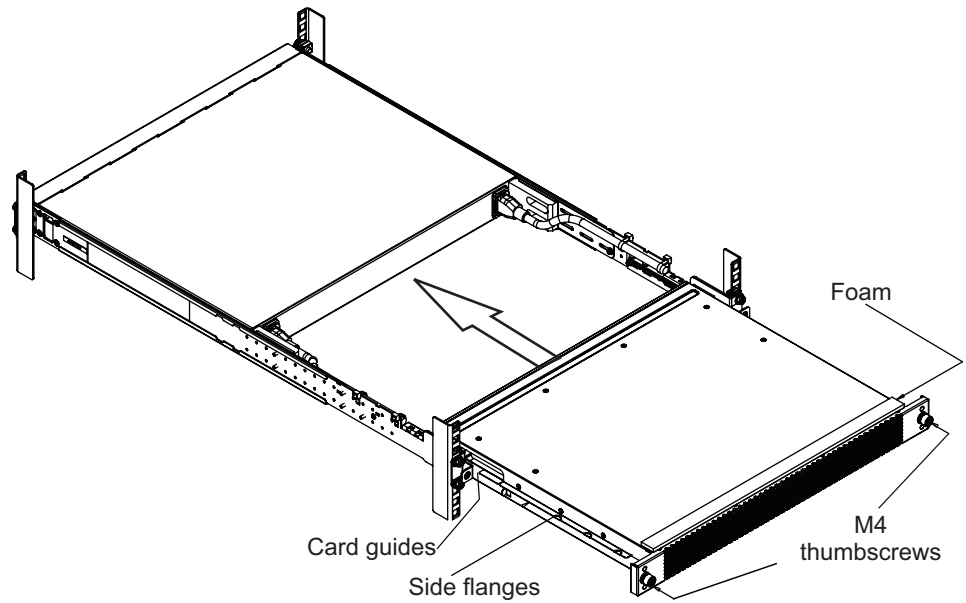


4. Secure the air-duct mounting bracket to the rails with M6 screws. Torque the screws to approximately $5.7 \text{ Nm} \pm 0.1 \text{ Nm}$ (50 inch-pounds).



5. Secure the air-duct mounting bracket to the rack chassis with M3.5 screws. Torque the screws to approximately $1.1 \text{ Nm} \pm 0.1 \text{ Nm}$ (10 inch-pounds).

6. Gently slide the air-duct unit side flanges into the card guides until the unit is seated firmly. Make sure that the foam strip is oriented on top.



7. Secure the air-duct unit to the air-duct brackets with the two M4 thumbscrews.

Installing Port Transceivers

The G7052 supports copper and optical transceivers.

To install a supported transceiver, see the following sections:

- [“Installing an SFP Copper Transceiver” on page 52](#)
- [“Installing an SFP Optical Transceiver” on page 52](#)
- [“Installing an SFP+ Optical Transceiver” on page 54](#)

Installing an SFP Copper Transceiver

Approved 1 GbE SFP copper transceivers are supported in G7052 SFP+ port slots. The SFP copper transceiver provides an RJ-45 connector that accepts a standard 10/100/1000BASE-T (Category 5) cable.

To install an SFP copper transceiver in an SFP+ port slot on the switch, complete the following steps.

Note: To avoid damage to the cable or the SFP transceiver, do not connect the cable before you install the transceiver.

1. Remove the safety cap and pull the locking lever into the down (unlocked) position.
2. Insert the transceiver into the slot until it clicks into place. Use minimal pressure when you insert the transceiver. Do not use excessive force when you insert the transceiver or you might damage the transceiver or the slot.

The transceiver has a mechanical guide key to prevent you from inserting the transceiver in an incorrect orientation.

3. Pull up the locking lever to lock the transceiver into place.
4. Connect the cable following the [“Cabling Guidelines” on page 34](#).

To remove an SFP copper transceiver, disconnect the cable, and pull down the locking lever to release the transceiver. After you remove the transceiver, replace the safety cap.

Installing an SFP Optical Transceiver

Approved 1 GbE SFP optical transceivers are supported in G7052 SFP+ port slots. The SFP optical transceiver provides two fiber-optic cable connectors for connecting to external ports.

Statement 3



CAUTION:

When laser products (such as CD-ROMs, DVD drives, fiber optic devices, or transmitters) are installed, note the following:

- Do not remove the covers. Removing the covers of the laser product could result in exposure to hazardous laser radiation. There are no serviceable parts inside the device.
- Use of controls or adjustments or performance of procedures other than those specified herein might result in hazardous radiation exposure.



DANGER

Some laser products contain an embedded Class 3A or Class 3B laser diode. Note the following.

Laser radiation when open. Do not stare into the beam, do not view directly with optical instruments, and avoid direct exposure to the beam.



Class 1 Laser Product
Laser Klasse 1
Laser Class 1
Luokan 1 Laserlaite
Appareil À Laser de Classe 1

To install an SFP optical transceiver in an SFP+ port slot on the switch, complete the following steps.

Note: To avoid damage to the cable or the SFP transceiver, do not connect the cable before you install the transceiver.

1. Remove the safety cap and pull the locking lever into the down (unlocked) position.
2. Insert the transceiver into the slot until it clicks into place. Use minimal pressure when you insert the transceiver. Do not use excessive force when you insert the transceiver or you might damage the transceiver or the slot.

The transceiver has a mechanical guide key to prevent you from inserting the transceiver in an incorrect orientation.

3. Pull up the locking lever to lock the transceiver into place.
4. Connect the fiber-optic cable following the [“Cabling Guidelines” on page 34](#).

To remove an SFP optical transceiver, disconnect the fiber-optic cable, and pull down the locking lever to release the transceiver. After you remove the transceiver, replace the safety cap.

Installing an SFP+ Optical Transceiver

Approved 10 GbE SFP+ optical transceivers are supported in G7052 SFP+ port slots. The SFP+ optical transceiver provides two fiber-optic cable connectors for connecting to external ports.

Statement 3



CAUTION:

When laser products (such as CD-ROMs, DVD drives, fiber optic devices, or transmitters) are installed, note the following:

- Do not remove the covers. Removing the covers of the laser product could result in exposure to hazardous laser radiation. There are no serviceable parts inside the device.
- Use of controls or adjustments or performance of procedures other than those specified herein might result in hazardous radiation exposure.



DANGER

Some laser products contain an embedded Class 3A or Class 3B laser diode. Note the following.

Laser radiation when open. Do not stare into the beam, do not view directly with optical instruments, and avoid direct exposure to the beam.



Class 1 Laser Product
Laser Klasse 1
Laser Klass 1
Luokan 1 Laserlaite
Appareil À Laser de Classe 1

To install an SFP+ optical transceiver in an SFP+ port slot on the switch, complete the following steps.

Note: To avoid damage to the cable or the SFP+ transceiver, do not connect the cable before you install the transceiver.

1. Remove the safety cap and pull the locking lever into the down (unlocked) position.
2. Insert the transceiver into the slot until it clicks into place. Use minimal pressure when you insert the transceiver into the slot. Do not use excessive force when you insert the transceiver or you might damage the transceiver or the slot.

The transceiver has a mechanical guide key to prevent you from inserting the transceiver in an incorrect orientation.

3. Pull up the locking lever to lock the transceiver into place.

4. Connect the fiber-optic cable following the [“Cabling Guidelines” on page 34](#).

To remove an SFP+ optical transceiver, disconnect the fiber-optic cable, and pull down the locking lever to release the transceiver. After you remove the transceiver, replace the safety cap.

Chapter 4. Removing and Replacing G7052 Components

This chapter describes how to remove G7052 hardware components for replacement. The following topics are covered:

- “Removing Port Transceivers” on page 57
- Removing the switch from one of the supported rack types—
 - “Removing the G7052 from a Standard Equipment Rack” on page 59
 - “Removing the G7052 from a Lenovo System x or Power Rack” on page 61
 - “Removing the G7052 from a Lenovo iDataPlex Rack” on page 64
- “Removing the Air-Duct Option” on page 67
- “Replacing the G7052” on page 68

Removing Port Transceivers

Statement 3



CAUTION:

When laser products (such as CD-ROMs, DVD drives, fiber optic devices, or transmitters) are installed, note the following:

- Do not remove the covers. Removing the covers of the laser product could result in exposure to hazardous laser radiation. There are no serviceable parts inside the device.
- Use of controls or adjustments or performance of procedures other than those specified herein might result in hazardous radiation exposure.



DANGER

Some laser products contain an embedded Class 3A or Class 3B laser diode. Note the following.

Laser radiation when open. Do not stare into the beam, do not view directly with optical instruments, and avoid direct exposure to the beam.



Class 1 Laser Product
Laser Klasse 1
Laser Klass 1
Luokan 1 Laserlaite
Appareil À Laser de Classe 1

To remove one of the installed SFP or SFP+ transceiver modules from the switch, complete the following steps.

1. Disconnect the port cable from the transceiver.
2. Pull down the locking lever to release the transceiver.
3. Gently slide the transceiver out of the switch.
4. After you remove the transceiver, replace the safety cap.

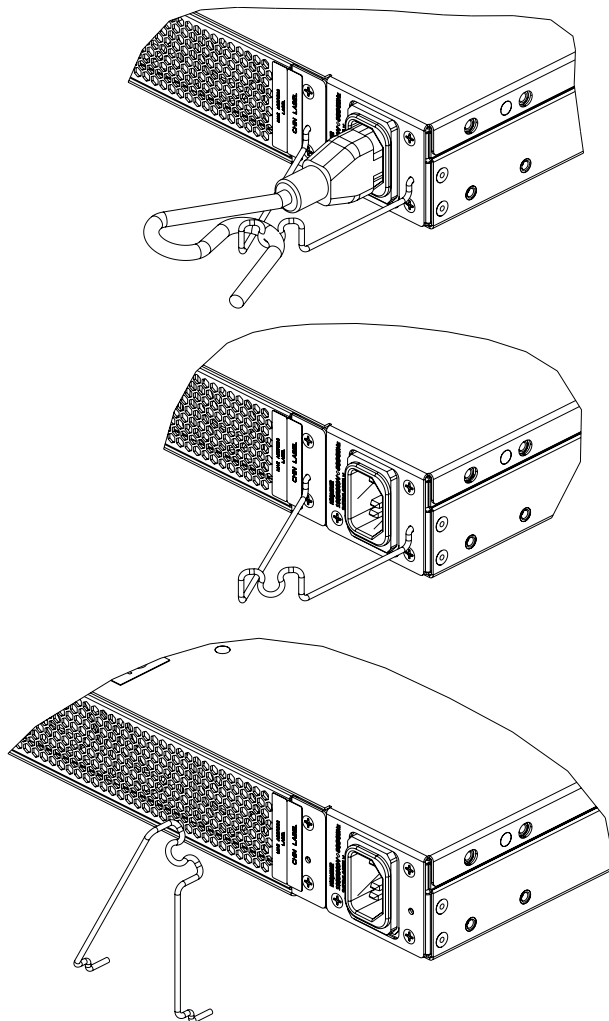
To replace the transceiver module, see the appropriate section under [“Installing Port Transceivers”](#) on page 52.

Removing the G7052 from a Standard Equipment Rack

This section describes how to remove the G7052 from a standard 19-inch equipment rack. For information about removing the switch from other supported racks, see the appropriate section in this chapter.

To remove the G7052 from a standard rack, complete the following steps:

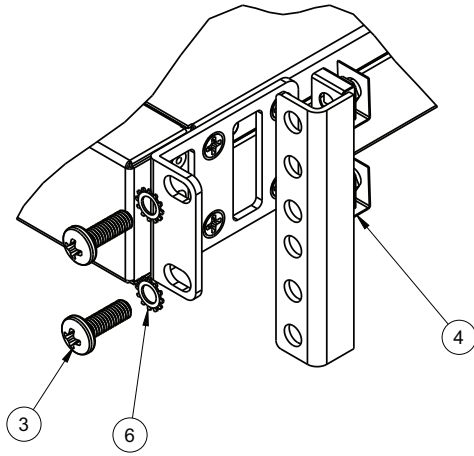
- 1.If the power cord retention clip is installed, remove it:



- 2.Disconnect all external cables.

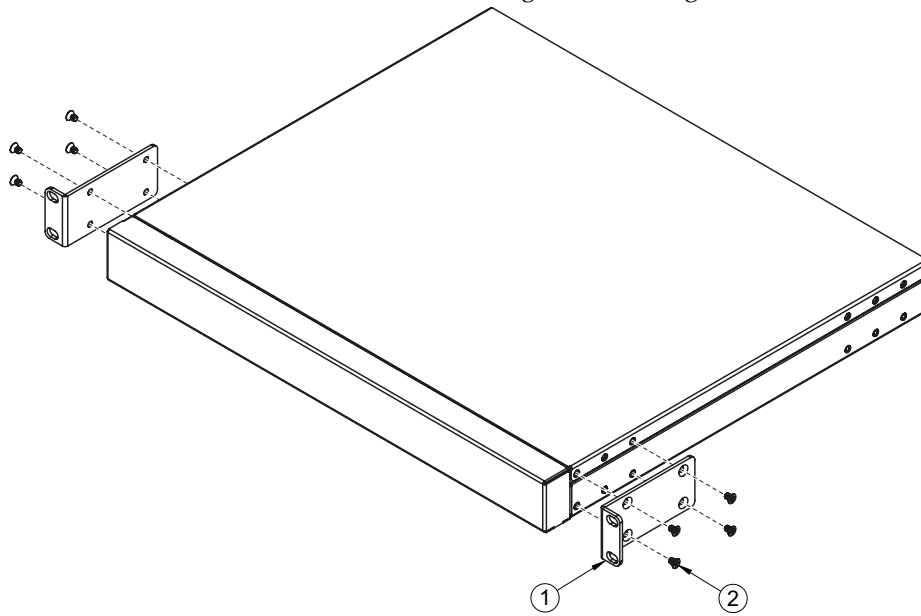
- 3.If the air-duct option has been installed, remove it as described in [“Removing the Air-Duct Option” on page 67](#).

4. Loosen and remove M6 screws, washers, and clip nuts (or cage nuts) to release the switch unit from the rack.



5. Slide the switch unit out of the rack.

6. Loosen and remove the M4 screws attaching the mounting bracket on each side of the switch.



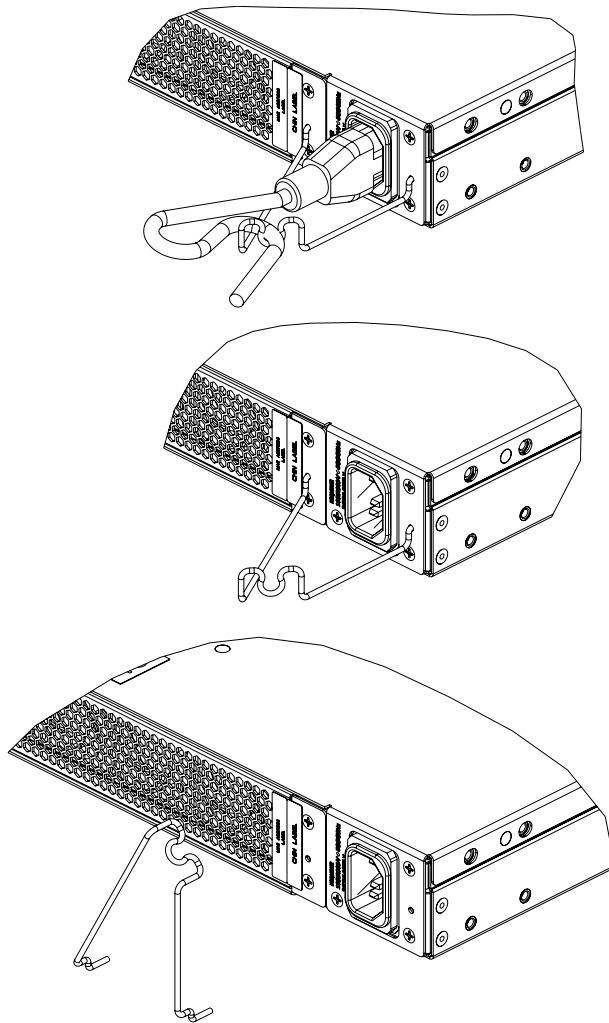
7. If replacing the unit with another G7052, see [“Replacing the G7052”](#) on page 68.

Removing the G7052 from a Lenovo System x or Power Rack

This section describes how to remove the G7052 from a Lenovo System x or Power 4-post rack.

To remove the G7052 from a System x or Power rack, complete the following steps:

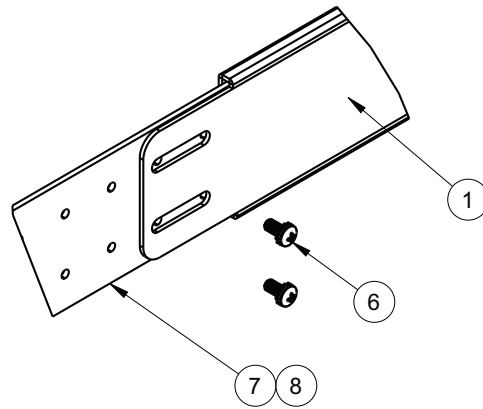
- 1.If the power cord retention clip is installed, remove it:



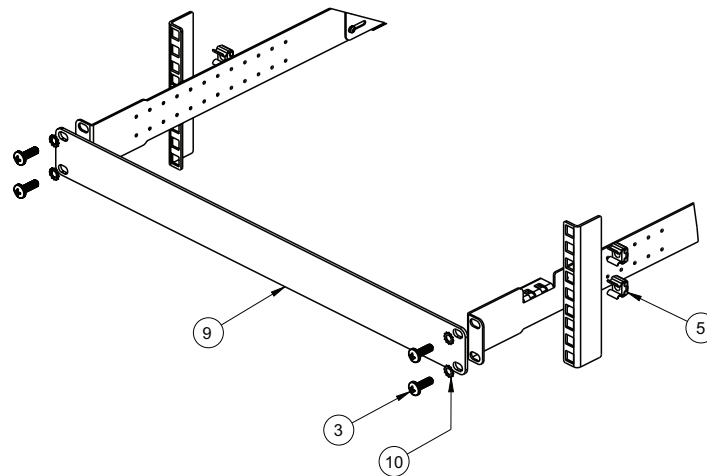
- 2.Disconnect all external cables.

- 3.If the air-duct option has been installed, remove it as described in [“Removing the Air-Duct Option”](#) on [page 67](#).

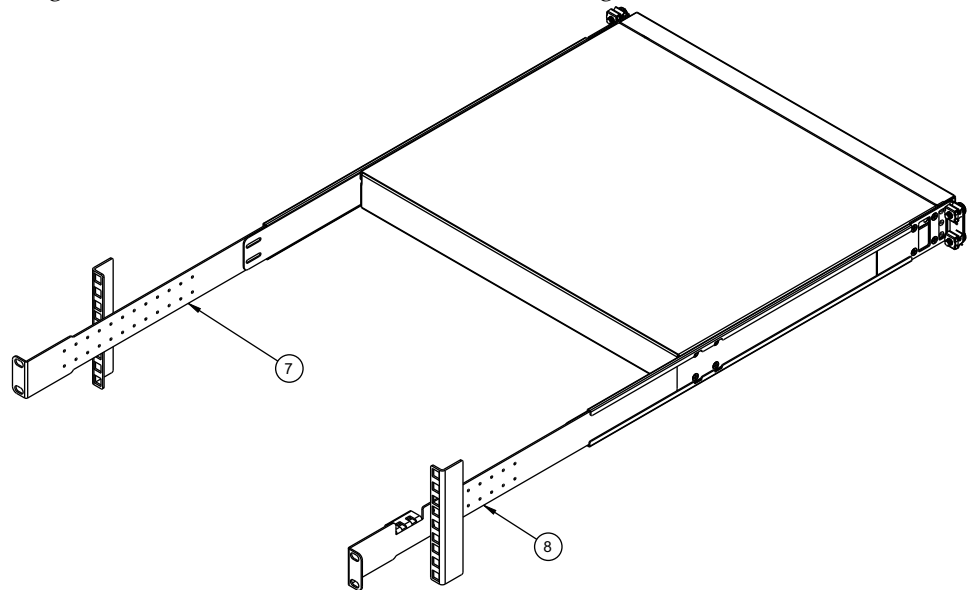
4. Loosen and remove M3.5 screws that secure the rear brackets to the front brackets.



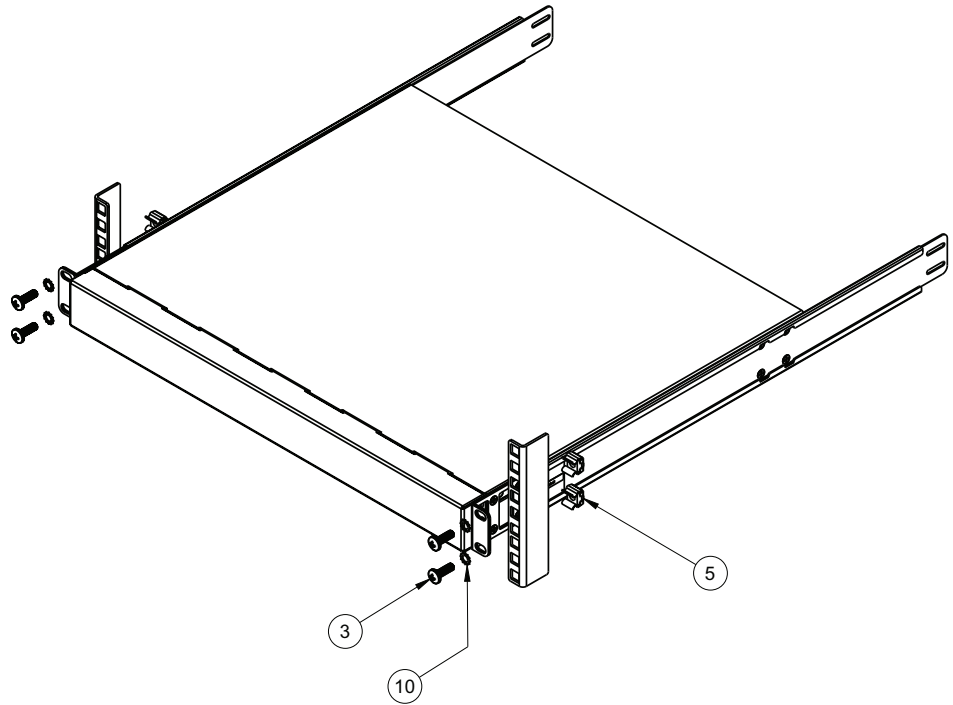
5. Loosen and remove the M6 screws, washers, and clip nuts (or cage nuts) that attach the filler plate and rear mounting brackets to the rear rack posts.



6. Slide the rear mounting brackets out of their slots in the front mounting brackets.

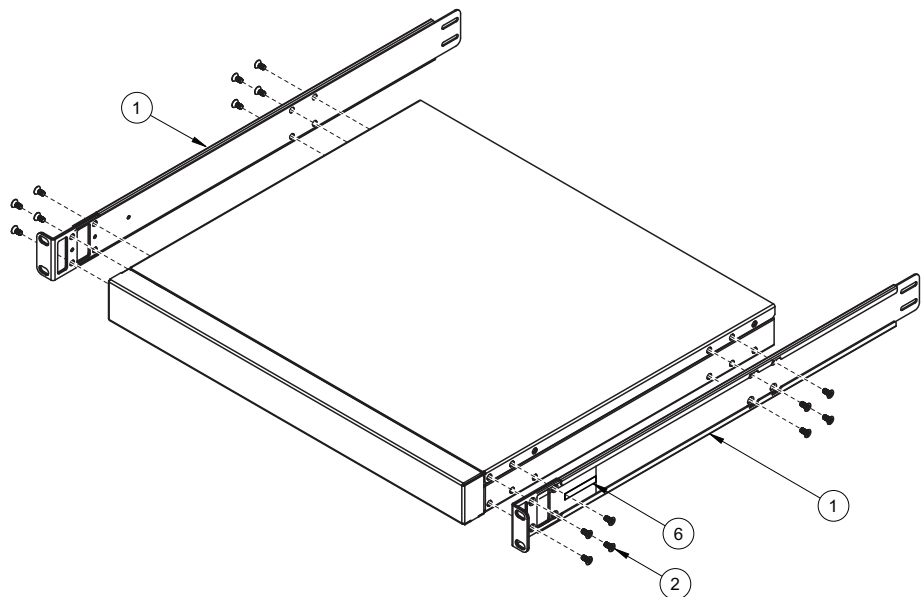


7. Loosen and remove the M6 screws, washers, and clip nuts (or cage nuts) connecting the front mounting brackets to the front rack posts.



8. Slide the G7052 unit out of the rack.

9. Loosen and remove the M4 screws that attach the front mounting brackets to each side of the switch.



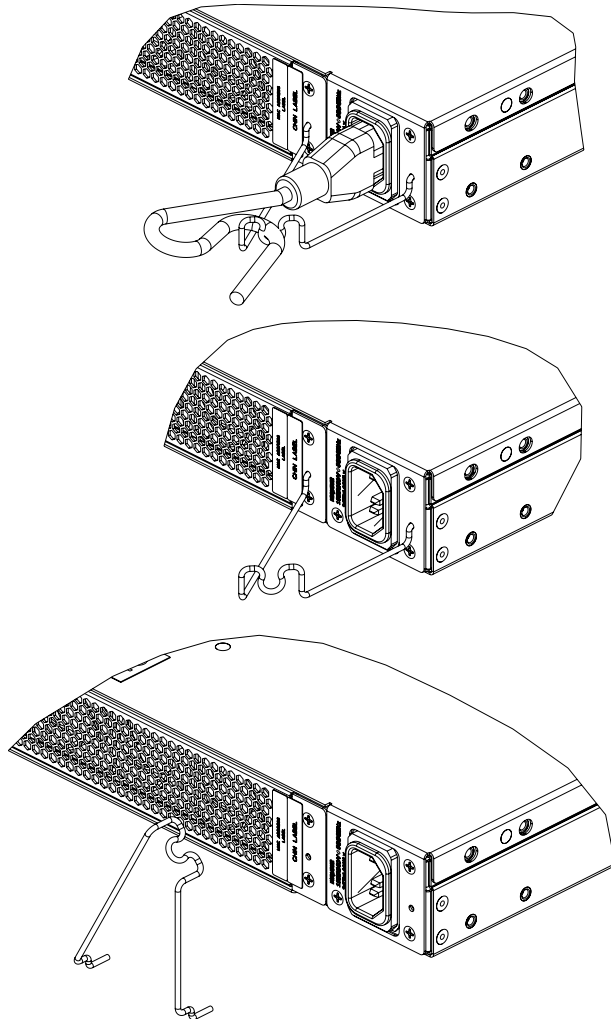
10. If replacing the unit with another G7052, see [“Replacing the G7052” on page 68](#).

Removing the G7052 from a Lenovo iDataPlex Rack

This section describes how to remove the G7052 from a Lenovo iDataPlex rack.

To remove the G7052 from an iDataPlex rack, complete the following steps:

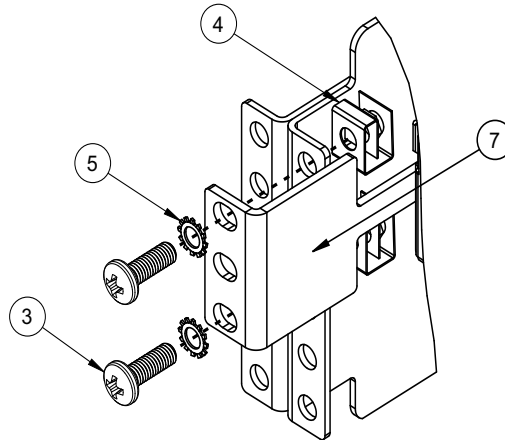
- 1.If the power cord retention clip is installed, remove it:



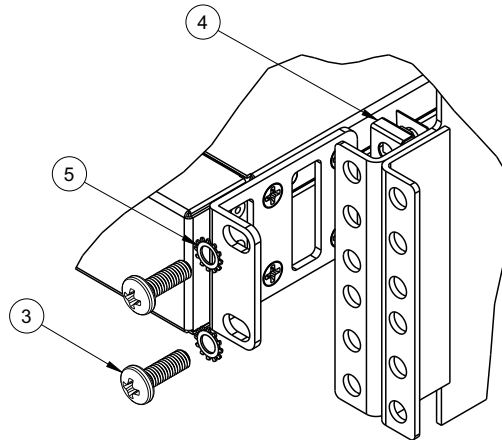
- 2.Disconnect all external cables.

- 3.If the 1U air-duct option has been installed, remove it as described in [“Removing the Air-Duct Option”](#) on page 67.

4. Loosen and remove the M6 washers, screws, and clip nuts that attach the alignment plate.

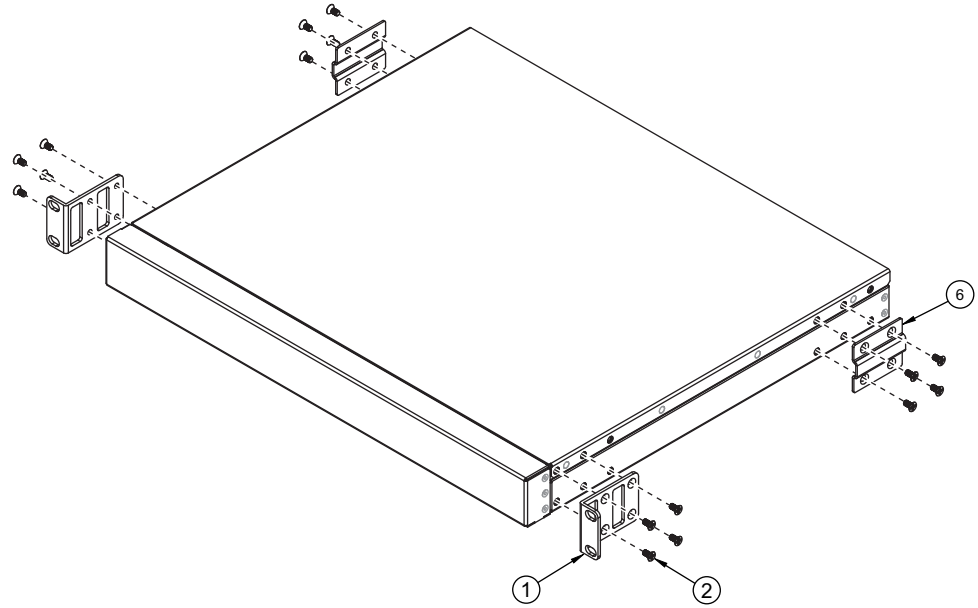


5. Loosen and remove the M6 washers and screws that mount the switch into the rack.



6. Slide the switch out of the rack.

7. Loosen and remove the M4 screws that attach front and rear mounting brackets to each side of the switch.



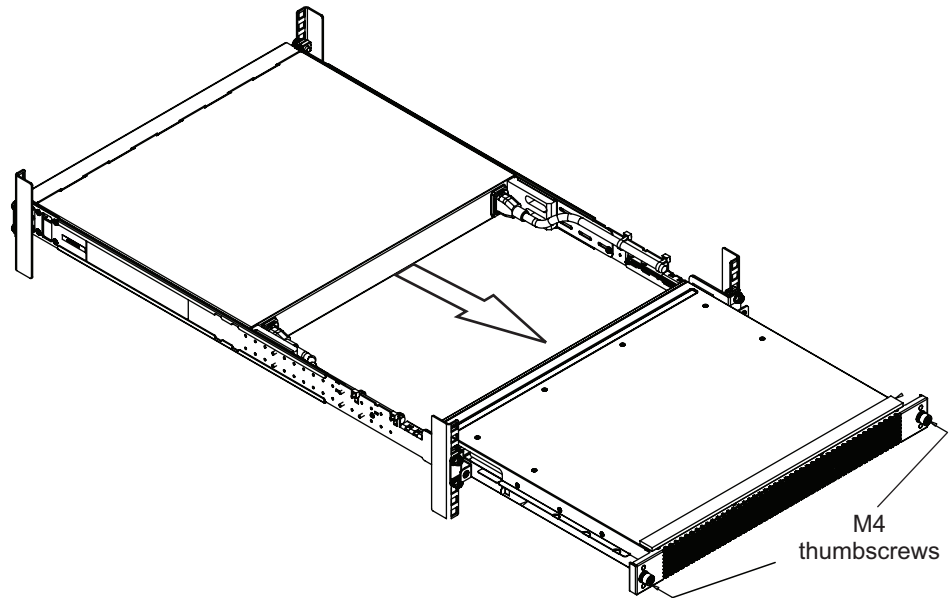
8. If replacing the unit with another G7052, see ["Replacing the G7052" on page 68.](#)

Removing the Air-Duct Option

The G7052 supports an optional 1U air duct to maximize air flow conditions in a Lenovo Power Systems Group rack.

To remove an installed 1U air-duct option from a 19" rack, complete the following steps.

1. Loosen the M4 thumbscrews securing the air-duct unit to the mounting brackets.
2. Slide the 1U air-duct unit out of the rack.



To return the component to customer service for replacement, see [Appendix A, "Getting Help and Technical Assistance"](#) on [page 83](#) to help you gather all the required information. After you remove the component, securely pack it for shipping.

For instructions to install a replacement air-duct option, see ["Installing the Air-Duct Option"](#) on [page 48](#).

Replacing the G7052

Preparing and Returning the G7052

If replacing the G7052, remove all associated components and options according to the instructions in this chapter. Remove and retain clips, cords, cables, modules, caps or blanks, air-duct option (if installed), and any mounting hardware. These items can then be reinstalled on the replacement unit.

When you remove the G7052 from the rack, record the product Machine Type-Model (MTM) number and serial number to use for the replacement switch. See [“Recording Important Product Information” on page 30](#) to locate the product information labels on the switch or through the switch firmware interface.

To return the chassis to customer service for replacement, see [Appendix A, “Getting Help and Technical Assistance” on page 83](#) to help you gather all the required information that is necessary to return a component. After you remove the G7052 unit, securely pack it for shipping.

Install the replacement G7052 hardware as directed in [Chapter 3, “Installing G7052 Hardware and Options” on page 29](#)). Once the hardware is installed, configure the Vital Product Data (VPD) on the replacement switch as shown in the following section.

Configuring Vital Product Data

After you install the replacement G7052 hardware (the new unit), you must configure the new unit to use the VPD of the unit which was removed (the old unit), in order to avoid losing any licensed electronic entitlement data. The required information consists of the old unit’s MTM and serial number, which was collected from the old unit according to [“Recording Important Product Information” on page 30](#).

To configure the VPD on a new switch, complete the following steps.

1. Log in to the new G7052 as directed in [Chapter 5, “Initializing the G7052” on page 71](#). At the Password prompt, the default password is `admin`.
2. Use the following CLI commands to enter the Executive configuration mode:

```
RS G7052> enable
Enable privilege granted
RS G7052# configure terminal
Enter configuration commands, one per line. End with Ctrl/Z.
RS G7052 (config)#
```


3. Set the new switch to use the Machine Type-Model (MTM) number of the old unit. For example:

```
RS G7052 (config)# boot mtm 1234-56X
New MTM value: 1234-56X
Please reset the system for the new changes to take effect
RS G7052(config)#
```

where 1234-56X is the MTM from your old unit.

Note: The MTM shown here is merely an example—use the actual MTM recorded from your old G7052 unit.

4. Set the new switch to use the serial number of the old unit. For example:

```
RS G7052 (config)# boot esn 1000001
```

where 1000001 is the serial number of your old unit.

Note: The serial number shown here is merely an example—use the actual serial number recorded from your old G7052 unit.

5. Reset the switch using the following command:

```
RS G7052 (config)# reload
```

6. When prompted for confirmation, enter **y**. The switch will then reboot.

7. After the switch reboots, return to the command prompt and verify that the VPD information is correct using the following command:

```
RS G7052> show sys-info
System Information at 0:11:46 Wed Jan 6, 2015
Time zone: America/US/Pacific
Daylight Savings Time Status: Disabled
Lenovo RackSwitch G7052
Switch has been up for 0 days, 0 hours, 10 minutes and 45 seconds.
Last boot: 0:11:36 Wed Jan 6, 2015 (reset from console)
MAC address: fc:cf:62:9d:2b:00 IP (If 1) address: 192.168.49.50
Management Port MAC Address: fc:cf:62:9d:2b:fe
Management Port IP Address (if 4): 192.168.50.50
Hardware Part No: 00D9853
Switch Serial No: Y030PZ23H00E
Manufacturing date:12/12
MTM Value: 1234-56X
ESN: 1000001
...
```

For more information about using the switch interface, see the *Application Guide* and *Command Reference* for your switch model and firmware version.

Chapter 5. Initializing the G7052

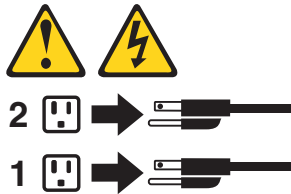
When you supply power to the G7052, the switch initializes automatically for basic functions.

Statement 5



CAUTION:

The power control button on the device and the power switch on the power supply do not turn off the electrical current supplied to the device. The device also might have more than one power cord. To remove all electrical current from the device, ensure that all power cords are disconnected from the power source.



System Status LEDs

The following LEDs on the switch front panel indicate the overall system status:

- Power: Steady green if the AC power cord is connected, or flashing green if the internal power supply unit failed and the switch is powered by a Redundant Power Supply through a DC to DC power cable.
- Service (!): Off if the system is OK, or flashing if service is required.

For additional LED indicators, see the appropriate section in [Chapter 2, “Switch Components”](#) starting on [page 19](#).

Connecting to the Switch

Use the switch Command-Line Interface (CLI) to perform additional configuration tasks. You can access the CLI using the serial console port or management port.

Using the Serial Console Port

You can access the switch CLI through the serial console port on the front panel of the switch. This port uses RS-232 serial communications. Use the console cable kit to connect the serial console port to a terminal or a computer running a terminal emulation program.

The console port terminal-emulation requirements are as follows:

- Default baud rate = 9,600 bps
- Character size = 8 characters
- Parity = none
- Stop bits = 1
- Data bits = 8
- Flow control = none

Using the Management Port

If the switch is connected to a network that employs DHCP, you can also access the switch CLI through the RJ-45 management port. This port uses Ethernet communications and can be accessed using Telnet, SNMP, or a Web browser via the IP address provided by the network's DHCP server.

Logging In to the Switch

When the switch starts, it performs initial self tests, and then prompts for the password. For example:

```
Memory Test .....
Production Mode
PPCBoot 0.0.0.10 (new flash)
Memory Test (0x00) .....PASSED

...
Lenovo RS G7052

Jan 6 00:11:36 2015:

Password:
```

At the prompt, type the switch password and press **Enter**. The default is `admin`.

Note: If the switch has already started prior to your connection, you may need to press **Enter** to display the password prompt.

Default Configuration Files

The switch firmware contains default configuration files that are loaded at the factory. When the switch first initializes, the default configuration files are loaded into the active switch memory. The default settings allow the switch to perform basic functions with minimal effort by the system administrator.

Custom configuration settings made by the administrator will override the default settings and can be saved so that they are retained if the switch is rebooted. However, if desired, you can revert the custom configuration settings to the original factory defaults. The original factory default configuration files are a permanent part of the firmware; you cannot delete them or change their original definitions.

Configuring an IP Interface for Remote Access

To manage the switch remotely using Telnet, SNMP, or a web-browser, you must first configure an IP interface. You can use DHCP to automatically configure the interface (enabled by default), or you can manually configure the following IP parameters:

- IP address
- Subnet mask
- Gateway address

By default, DHCP is enabled on the management interfaces and BOOTP is enabled on interface 1. If there is no DHCP offer received, the switch uses the default management IP address (192.168.50.50/24). This address is overwritten when a DHCP/BOOTP address is received for that interface. If DHCP/BOOTP is enabled and there is no static address configured for DHCP/BOOTP, requests will continue to be sent. This feature does not change existing DHCP/BOOTP functionality.

To configure an IP interface for remote management, complete the following steps.

1. Log on to the switch using the serial console port or management port on the G7052 front panel.
2. Enter IP interface mode.

```
RS G7052> enable
RS G7052# configure terminal
RS G7052 (config)# interface ip 1
```

3. Configure an IP interface, subnet mask, and VLAN assignment, then enable the interface.

```
RS G7052 (config-ip-if)# ip address 10.10.10.2(example IP address)
RS G7052 (config-ip-if)# ip netmask 255.255.255.0
RS G7052 (config-ip-if)# vlan 1
RS G7052 (config-ip-if)# enable
RS G7052 (config-ip-if)# exit
```

4. Configure the default gateway. Enable the gateway.

```
RS G7052 (config)# ip gateway 1 address 10.10.10.1(example gateway address)
RS G7052 (config)# ip gateway 1 enable
```

After you configure the IP address for your switch and you have an existing network connection, you can use the Telnet program from an external management station to access and control the switch. The management station and your switch must be on the same IP subnet.

The switch CLI allows you to configure and control the switch over the network using the Telnet program. You can use the CLI to perform many basic network management functions. In addition, you can configure the switch for management using an SNMP-based network management system or a web-browser.

For more information about using the CLI, see the *Command Reference* guide for your specific switch and firmware version.

Updating Firmware

If firmware updates are available, you can download them from the Lenovo website. The switch might have features that are not described in the documentation that comes with the switch, and the documentation might be updated occasionally to include information about those features, or technical updates might be available to provide additional information that is not included in the switch documentation.

Configuration settings are lost during a firmware update. Before updating the firmware, save a copy of the configuration to a separate device. In the event of a failed update, the saved configuration can be restored. For more information about the configuration file, see the *Command Reference* guide for your specific switch and firmware version.

Attention: Installing the wrong firmware update might cause the network switch to malfunction. Before you install a firmware, read any release notes, readme files and change history files that are provided with the downloaded update. These files contain important information about the update and the procedure for installing the update, including any special procedure for updating from an early firmware version to the latest version.

To check for firmware and documentation updates, go to the Lenovo website:

<http://support.lenovo.com/>

Note: Changes are made periodically to the Lenovo website. Procedures for locating firmware and documentation might vary slightly from what is described in this document.

Using the Boot Management Menu

The Boot Management menu enables you to switch the firmware image, reset the switch to factory defaults, or to recover from a failed firmware download.

You can interrupt the boot process and enter the Boot Management menu from the serial console port. When the system displays Memory Test, press **Shift+B**. The Boot Management menu is displayed.

```
Resetting the System ...
Memory Test .....
Boot Management Menu
1 - Change booting image
2 - Change configuration block
3 - Boot in recovery mode (tftp and xmodem download of images to recover
switch)
5 - Reboot
6 - Exit
Please choose your menu option:
```

The Boot Management menu allows you to perform the following actions:

- To change the booting image, press **1** and follow the screen prompts.
- To change the configuration block, press **2**, and follow the screen prompts.

- To perform a TFTP/Xmodem download, press **3** and follow the screen prompts.
- To reboot the switch, press **5**. The booting process restarts.
- To exit the Boot Management menu, press **6**. The boot process continues.

Chapter 6. Troubleshooting

This section contains basic troubleshooting information to help resolve problems that might occur during installation and operation of the switch. If you have problems accessing the switch or working with the firmware, see the *Command Reference* for the switch.

For information about calling Lenovo for service, see [Appendix A, "Getting Help and Technical Assistance"](#) on [page 83](#).

System LED Is Not Lit

Symptom: The power supply LED is not lit.

Solution: Check the power supply to make sure that there is a proper connection to the power source. Make sure that power is available from the power source.

Port Link LED Is Not Lit

Symptom: The port link LED is not lit.

Solution 1: Check the port configuration in the firmware (see the *Command Reference*). If the port is configured with a specific speed or duplex mode, check the other device to make sure that it is set to the same configuration. If the switch port is set to auto-negotiate, make sure that the other device is set to auto-negotiate.

Solution 2: Check the cables that connect the port to the other device. Make sure that they are connected correctly. Make sure that you are using the correct cable type.

Temperature Sensor Warning

Symptom: A temperature warning is displayed on the management console.

Solution: Make sure that the air circulation vents on the front, back, and sides of the switch are free from obstruction by cables, panels, rack frames, or other materials.

Make sure that all cooling fans inside the switch are running. A fan module LED (rear panel) flashes if there is a failure of the fan. The following CLI command displays fan status:

```
RS G7052> show sys-info
```

If any fan stops during switch operation, contact Customer Support.

Switch Does Not Initialize (Boot)

Symptom: All the switch LEDs stay on, and the command prompt is not displayed on the console.

Solution: The operating system might be damaged. Use the console port to perform a serial upgrade of the switch firmware. See the *Command Reference*.

Appendix A. Getting Help and Technical Assistance

If you need help, service, or technical assistance or just want more information about Lenovo products, you will find a wide variety of sources available from Lenovo to assist you. This appendix will help you obtain additional information about Lenovo and Lenovo products, and determine what to do if you experience a problem with your Lenovo system or optional device.

Note: This section includes references to IBM web sites and information in regard to obtaining service. IBM is Lenovo's preferred service provider for the System x, Flex System, and NeXtScale System products.

You can solve many problems without outside assistance by following the troubleshooting procedures that Lenovo provides in the online help or in the Lenovo product documentation. The Lenovo product documentation also describes the diagnostic tests that you can perform. The documentation for most systems, operating systems, and programs contains troubleshooting procedures and explanations of error messages and error codes. If you suspect a software problem, see the documentation for the operating system or program.

Before you call, make sure that you have taken these steps to try to resolve the problem yourself.

- Check all cables to make sure that they are connected.
- Check the power switches to make sure that the system and any optional devices are turned on.
- Check for updated software, firmware and operating-system device drivers for your Lenovo product. The Lenovo Warranty terms and conditions state that you, the owner of the Lenovo product, are responsible for maintaining and updating all software or firmware for the product (unless it is covered by an additional maintenance contract). Your service technician will request that you upgrade your software or firmware if the problem has a documented solution within a software or firmware upgrade.
- If you have installed new hardware or software in your environment, check the [IBM ServerProven website](#) to make sure that the hardware and software is supported by your product.
- Go to the [IBM Support portal](#) to check for information to help you solve the problem, and for other support options.

- If you believe that you require warranty service for your Lenovo product, gather the following information to provide to the service technician. This data will help the service technician quickly provide a solution to your problem and ensure that you receive the level of service for which you might have contracted. The service technicians will be able to assist you more efficiently if you prepare before you call.
 - Hardware and Software Maintenance agreement contract numbers, if applicable
 - Machine type number (Lenovo 4-digit machine identifier)
 - Model number
 - Serial number
 - Current system UEFI and firmware levels
 - Other pertinent information such as error messages and logs

Appendix B. Notices

Lenovo may not offer the products, services, or features discussed in this document in all countries. Consult your local Lenovo representative for information on the products and services currently available in your area.

Any reference to a Lenovo product, program, or service is not intended to state or imply that only that Lenovo product, program, or service may be used. Any functionally equivalent product, program, or service that does not infringe any Lenovo intellectual property right may be used instead. However, it is the user's responsibility to evaluate and verify the operation of any other product, program, or service.

Lenovo may have patents or pending patent applications covering subject matter described in this document. The furnishing of this document does not give you any license to these patents. You can send license inquiries, in writing, to:

Lenovo (United States), Inc.
1009 Think Place - Building One
Morrisville, NC 27560
U.S.A.

Attention: Lenovo Director of Licensing

LENOVO PROVIDES THIS PUBLICATION "AS IS" WITHOUT WARRANTY OF ANY KIND, EITHER EXPRESS OR IMPLIED, INCLUDING, BUT NOT LIMITED TO, THE IMPLIED WARRANTIES OF NON-INFRINGEMENT, MERCHANTABILITY OR FITNESS FOR A PARTICULAR PURPOSE. Some jurisdictions do not allow disclaimer of express or implied warranties in certain transactions, therefore, this statement may not apply to you.

This information could include technical inaccuracies or typographical errors. Changes are periodically made to the information herein; these changes will be incorporated in new editions of the publication. Lenovo may make improvements and/or changes in the product(s) and/or the program(s) described in this publication at any time without notice.

The products described in this document are not intended for use in implantation or other life support applications where malfunction may result in injury or death to persons. The information contained in this document does not affect or change Lenovo product specifications or warranties.

Nothing in this document shall operate as an express or implied license or indemnity under the intellectual property rights of Lenovo or third parties. All information contained in this document was obtained in specific environments and is presented as an illustration. The result obtained in other operating environments may vary.

Lenovo may use or distribute any of the information you supply in any way it believes appropriate without incurring any obligation to you.

Any references in this publication to non-Lenovo Web sites are provided for convenience only and do not in any manner serve as an endorsement of those Web sites. The materials at those Web sites are not part of the materials for this Lenovo product, and use of those Web sites is at your own risk.

Any performance data contained herein was determined in a controlled environment. Therefore, the result obtained in other operating environments may vary significantly. Some measurements may have been made on development-level systems and there is no guarantee that these measurements will be the same on generally available systems. Furthermore, some measurements may have been estimated through extrapolation. Actual results may vary. Users of this document should verify the applicable data for their specific environment.

Trademarks

Lenovo, the Lenovo logo, Flex System, System x, NeXtScale System, and X-Architecture are trademarks of Lenovo in the United States, other countries, or both.

Intel and Intel Xeon are trademarks of Intel Corporation in the United States, other countries, or both.

Internet Explorer, Microsoft, and Windows are trademarks of the Microsoft group of companies.

Linux is a registered trademark of Linus Torvalds.

Other company, product, or service names may be trademarks or service marks of others.

Important Notes

Processor speed indicates the internal clock speed of the microprocessor; other factors also affect application performance.

CD or DVD drive speed is the variable read rate. Actual speeds vary and are often less than the possible maximum.

When referring to processor storage, real and virtual storage, or channel volume, KB stands for 1 024 bytes, MB stands for 1 048 576 bytes, and GB stands for 1 073 741 824 bytes.

When referring to hard disk drive capacity or communications volume, MB stands for 1 000 000 bytes, and GB stands for 1 000 000 000 bytes. Total user-accessible capacity can vary depending on operating environments.

Maximum internal hard disk drive capacities assume the replacement of any standard hard disk drives and population of all hard-disk-drive bays with the largest currently supported drives that are available from Lenovo.

Maximum memory might require replacement of the standard memory with an optional memory module.

Each solid-state memory cell has an intrinsic, finite number of write cycles that the cell can incur. Therefore, a solid-state device has a maximum number of write cycles that it can be subjected to, expressed as total bytes written (TBW). A device that has exceeded this limit might fail to respond to system-generated commands or might be incapable of being written to. Lenovo is not responsible for replacement of a device that has exceeded its maximum guaranteed number of program/erase cycles, as documented in the Official Published Specifications for the device.

Lenovo makes no representations or warranties with respect to non-Lenovo products. Support (if any) for the non-Lenovo products is provided by the third party, not Lenovo.

Some software might differ from its retail version (if available) and might not include user manuals or all program functionality.

Recycling information

Lenovo encourages owners of information technology (IT) equipment to responsibly recycle their equipment when it is no longer needed. Lenovo offers a variety of programs and services to assist equipment owners in recycling their IT products. For information on recycling Lenovo products, go to:

<http://www.lenovo.com/recycling>

Particulate Contamination

Attention: Airborne particulates (including metal flakes or particles) and reactive gases acting alone or in combination with other environmental factors such as humidity or temperature might pose a risk to the device that is described in this document.

Risks that are posed by the presence of excessive particulate levels or concentrations of harmful gases include damage that might cause the device to malfunction or cease functioning altogether. This specification sets forth limits for particulates and gases that are intended to avoid such damage. The limits must not be viewed or used as definitive limits, because numerous other factors, such as temperature or moisture content of the air, can influence the impact of particulates or environmental corrosives and gaseous contaminant transfer. In the absence of specific limits that are set forth in this document, you must implement practices that maintain particulate and gas levels that are consistent with the protection of human health and safety. If Lenovo determines that the levels of particulates or gases in your environment have caused damage to the device, Lenovo may condition provision of repair or replacement of devices or parts on implementation of appropriate remedial measures to mitigate such environmental contamination. Implementation of such remedial measures is a customer responsibility.

Contaminant	Limits
Particulate	<ul style="list-style-type: none"> The room air must be continuously filtered with 40% atmospheric dust spot efficiency (MERV 9) according to ASHRAE Standard 52.21. Air that enters a data center must be filtered to 99.97% efficiency or greater, using high-efficiency particulate air (HEPA) filters that meet MIL-STD-282. The deliquescent relative humidity of the particulate contamination must be more than 60%². The room must be free of conductive contamination such as zinc whiskers.
Gaseous	<ul style="list-style-type: none"> Copper: Class G1 as per ANSI/ISA 71.04-1985³ Silver: Corrosion rate of less than 300 Å in 30 days
<p>¹ ASHRAE 52.2-2008 - <i>Method of Testing General Ventilation Air-Cleaning Devices for Removal Efficiency by Particle Size</i>. Atlanta: American Society of Heating, Refrigerating and Air-Conditioning Engineers, Inc.</p> <p>² The deliquescent relative humidity of particulate contamination is the relative humidity at which the dust absorbs enough water to become wet and promote ionic conduction.</p> <p>³ ANSI/ISA-71.04-1985. <i>Environmental conditions for process measurement and control systems: Airborne contaminants</i>. Instrument Society of America, Research Triangle Park, North Carolina, U.S.A.</p>	

Telecommunication Regulatory Statement

This product may not be certified in your country for connection by any means whatsoever to interfaces of public telecommunications networks.

Further certification may be required by law prior to making any such connection. Contact a Lenovo representative or reseller for any questions.

Electronic Emission Notices

When you attach a monitor to the equipment, you must use the designated monitor cable and any interference suppression devices that are supplied with the monitor.

Federal Communications Commission (FCC) Statement

Warning: Changes or modifications to this unit not expressly approved by the party responsible for compliance could void the user authority to operate the equipment.

Note: This equipment has been tested and found to comply with the limits for a Class A digital device, pursuant to Part 15 of the FCC Rules. These limits are designed to provide reasonable protection against harmful interference when the equipment is operated in a commercial environment. This equipment generates, uses, and can radiate radio frequency energy and, if not installed and used in accordance with the instruction manual, may cause harmful interference to radio communications. Operation of this equipment in a residential area is likely to cause harmful interference, in which case the user will be required to correct the interference at his own expense.

Properly shielded and grounded cables and connectors must be used in order to meet FCC emission limits. Lenovo is not responsible for any radio or television interference caused by using other than recommended cables and connectors or by unauthorized changes or modifications to this equipment. Unauthorized changes or modifications could void the user's authority to operate the equipment.

This device complies with Part 15 of the FCC Rules. Operation is subject to the following two conditions: (1) this device may not cause harmful interference, and (2) this device must accept any interference received, including interference that may cause undesired operation.

Industry Canada Class A Emission Compliance Statement

This Class A digital apparatus complies with Canadian ICES-003.

Avis de Conformité à la Réglementation d'Industrie Canada

Cet appareil numérique de la classe A est conforme à la norme NMB-003 du Canada.

Australia and New Zealand Class A Statement

Attention: This is a Class A product. In a domestic environment this product may cause radio interference in which case the user may be required to take adequate measures.

European Union - Compliance to the Electromagnetic Compatibility Directive

This product is in conformity with the protection requirements of EU Council Directive 2004/108/EC (until April 19, 2016) and EU Council Directive 2014/30/EU (from April 20, 2016) on the approximation of the laws of the Member States relating to electromagnetic compatibility. Lenovo cannot accept responsibility for

any failure to satisfy the protection requirements resulting from a non-recommended modification of the product, including the installation of option cards from other manufacturers.

This product has been tested and found to comply with the limits for Class A equipment according to European Standards harmonized in the Directives in compliance. The limits for Class A equipment were derived for commercial and industrial environments to provide reasonable protection against interference with licensed communication equipment.

Lenovo, Einsteinova 21, 851 01 Bratislava, Slovakia



Warning: This is a Class A product. In a domestic environment this product may cause radio interference in which case the user may be required to take adequate measures.

Germany Class A Compliance Statement

Deutschsprachiger EU Hinweis:

Hinweis für Geräte der Klasse A EU-Richtlinie zur Elektromagnetischen Verträglichkeit

Dieses Produkt entspricht den Schutzanforderungen der EU-Richtlinie 2014/30/EU (früher 2004/108/EC) zur Angleichung der Rechtsvorschriften über die elektromagnetische Verträglichkeit in den EU-Mitgliedsstaaten und hält die Grenzwerte der Klasse A der Norm gemäß Richtlinie.

Um dieses sicherzustellen, sind die Geräte wie in den Handbüchern beschrieben zu installieren und zu betreiben. Des Weiteren dürfen auch nur von der Lenovo empfohlene Kabel angeschlossen werden. Lenovo übernimmt keine Verantwortung für die Einhaltung der Schutzanforderungen, wenn das Produkt ohne Zustimmung der Lenovo verändert bzw. wenn Erweiterungskomponenten von Fremdherstellern ohne Empfehlung der Lenovo gesteckt/eingebaut werden.

Deutschland:

Einhaltung des Gesetzes über die elektromagnetische Verträglichkeit von Betriebsmitteln

Dieses Produkt entspricht dem "Gesetz über die elektromagnetische Verträglichkeit von Betriebsmitteln" EMVG (früher "Gesetz über die elektromagnetische Verträglichkeit von Geräten"). Dies ist die Umsetzung der EU-Richtlinie 2014/30/EU (früher 2004/108/EC) in der Bundesrepublik Deutschland.

Zulassungsbescheinigung laut dem Deutschen Gesetz über die elektromagnetische Verträglichkeit von Betriebsmitteln, EMVG vom 20. Juli 2007 (früher Gesetz über die elektromagnetische Verträglichkeit von Geräten), bzw. der EMV EU Richtlinie 2014/30/EU (früher 2004/108/EC), für Geräte der Klasse A.

Dieses Gerät ist berechtigt, in Übereinstimmung mit dem Deutschen EMVG das EG-Konformitätszeichen - CE - zu führen. Verantwortlich für die Konformitätserklärung nach Paragraf 5 des EMVG ist die Lenovo (Deutschland) GmbH, Meitnerstr. 9, D-70563 Stuttgart.

Informationen in Hinsicht EMVG Paragraf 4 Abs. (1) 4:

Das Gerät erfüllt die Schutzanforderungen nach EN 55024 und EN 55022 Klasse A.

Nach der EN 55022: "Dies ist eine Einrichtung der Klasse A. Diese Einrichtung kann im Wohnbereich Funkstörungen verursachen; in diesem Fall kann vom Betreiber verlangt werden, angemessene Maßnahmen durchzuführen und dafür aufzukommen."

Nach dem EMVG: "Geräte dürfen an Orten, für die sie nicht ausreichend entstört sind, nur mit besonderer Genehmigung des Bundesministers für Post und Telekommunikation oder des Bundesamtes für Post und Telekommunikation betrieben werden. Die Genehmigung wird erteilt, wenn keine elektromagnetischen Störungen zu erwarten sind." (Auszug aus dem EMVG, Paragraph 3, Abs. 4). Dieses Genehmigungsverfahren ist nach Paragraph 9 EMVG in Verbindung mit der entsprechenden Kostenverordnung (Amtsblatt 14/93) kostenpflichtig.

Anmerkung: Um die Einhaltung des EMVG sicherzustellen sind die Geräte, wie in den Handbüchern angegeben, zu installieren und zu betreiben.

VCCI Class A Statement

この装置は、クラス A 情報技術装置です。この装置を家庭環境で使用すると電波妨害を引き起こすことがあります。この場合には使用者が適切な対策を講ずるよう要求されることがあります。 VCCI-A

This is a Class A product based on the standard of the Voluntary Control Council for Interference (VCCI). If this equipment is used in a domestic environment, radio interference may occur, in which case the user may be required to take corrective actions.

Japan Electronics and Information Technology Industries Association (JEITA) Statement

高調波ガイドライン適合品

Japanese Electronics and Information Technology Industries Association (JEITA) Confirmed Harmonics Guideline (products less than or equal to 20 A per phase).

高調波ガイドライン準用品

Japan Electronics and Information Technology Industries Association (JEITA) Confirmed Harmonics Guidelines with Modifications (products greater than 20 A per phase).

Korea Communications Commission (KCC) Statement

이 기기는 업무용(A급)으로 전자파적합기기로서 판매자 또는 사용자는 이 점을 주의하시기 바라며, 가정외의 지역에서 사용하는 것을 목적으로 합니다.

This is electromagnetic wave compatibility equipment for business (Type A). Sellers and users need to pay attention to it. This is for any areas other than home.

Russia Electromagnetic Interference (EMI) Class A Statement

ВНИМАНИЕ! Настоящее изделие относится к классу А.
В жилых помещениях оно может создавать радиопомехи, для
снижения которых необходимы дополнительные меры

People's Republic of China Class A Electronic Emission Statement

中华人民共和国“A类”警告声明

声明

此为A级产品，在生活环境中，该产品可能会造成无线电干扰。在这种情况下，可能需要用户对其干扰采取切实可行的措施。

Taiwan Class A Compliance Statement

警告使用者：
此為甲類資訊技術設備，於居住環境中使用時，可能會造成射頻擾動，在此種情況下，使用者會被要求採取某些適當的對策。

Taiwan BSMI RoHS declaration

設備名稱：二層交換器，型號（型式）：G7052 Equipment Name， Type Designation (Type)						
單元 Unit	限用物質及其化學符號 Restricted Substances and their Chemical Symbols					
	鉛 Lead (Pb)	汞 Mercury (Hg)	鎘 Cadmium (Cd)	六價鉻 Hexavalent chromium (Cr ⁺⁶)	多溴聯苯 Polybrominated biphenyls (PBB)	多溴二苯醚 Polybrominated diphenyl ethers (PBDE)
外殼	○	○	○	○	○	○
印刷電路板	—	○	○	○	○	○
電源供應器	—	○	○	○	○	○
線材	—	○	○	○	○	○
備考 1. “超出 0.1 wt %” 及 “超出 0.01 wt %” 係指限用物質之百分比含量超出百分比含量基準值。 Note 1: “Exceeding 0.1 wt %” and “exceeding 0.01 wt %” indicate that the percentage content of the restricted substance exceeds the reference percentage value of presence condition. 備考 2. “○” 係指該項限用物質之百分比含量未超出百分比含量基準值。 Note 2: “?” indicates that the percentage content of the restricted substance does not exceed the reference percentage value of presence. 備考 3. “—” 係指該項限用物質為排除項目。 Note 3: The “-” indicates that the restricted substance corresponds to the exemption.						

Appendix C. Technical Specifications

The G7052 technical specifications are described in the following sections.

Physical Characteristics

The physical characteristics of the G7052 are listed in the following table.

Table 11. *Physical characteristics*

Specification	Physical characteristics
Dimensions (H x W x D)	4.4 x 43.9 x 38.2 cm (1.73 x 17.3 x 15.0 in)
Weight	6.1 kg (13.5 lb) maximum
Airflow	Rear to front

Environmental Specifications

The environmental specifications for the G7052 are listed in the following table.

Table 12. *G7052 environmental specifications*

Specification	Measurement
Temperature, ambient operating	0°C to +40°C (32° to 104°F)
Temperature, storage	-40°C to +75°C (-40° to 167°F)
Relative humidity (non-condensing), operating	10 to 90%
Relative humidity (non-condensing), storage	10 to 90%
Altitude, operating	2,000 m (6,561 ft)
Altitude, storage	12,190 m (40,000 ft)
Acoustic noise	Less than 65dB
Heat dissipation	240 BTU/h (typical) 270 BTU/h (maximum)

Power Specifications

The power specifications for the G7052 are listed in the following table.

Table 13. *G7052 AC power specifications*

Specification	Measurement
Number of power supplies	1
AC-input frequency (universal)	50–60 Hz
AC-input voltage (universal)	100–240 VAC
AC inrush current	30 A (RMS) @ 115 VAC/60 Hz 60 A (RMS) @ 230 VAC/50 Hz
AC-input current (typical)	0.61 A (RMS) @ 120 VAC/60 Hz 0.33 A (RMS) @ 230 VAC/50 Hz
AC-input current (maximum)	0.71 A (RMS) @ 120 VAC/60 Hz 0.37 A (RMS) @ 230 VAC/50 Hz
Power supply rated output power	102 W
System power dissipation (typical)	76 VA
System power dissipation (maximum)	85 VA

Switching Performance

The feature performance characteristics of the G7052 are listed in the following table.

Table 14. *G7052 feature performance characteristics*

Feature	Characteristics
Switching architecture	Dual fabric
Throughput	176 Gbps full-duplex
Ethernet line rate	100%
IEEE 802.1Q VLANs	512, with 4K VLAN IDs
Forwarding database entries	8K

Note: The specific features supported on your switch, as well as some capacity and performance characteristics, depend on the specific firmware installed. For more information, see the *Application Guide* and *Command Reference* for your specific switch and its installed firmware.

