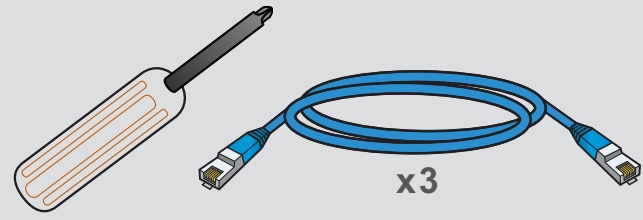


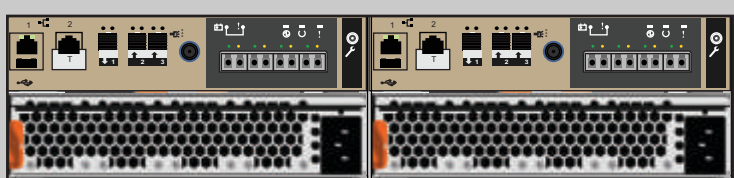
## ① Prepare for setup

You will need:

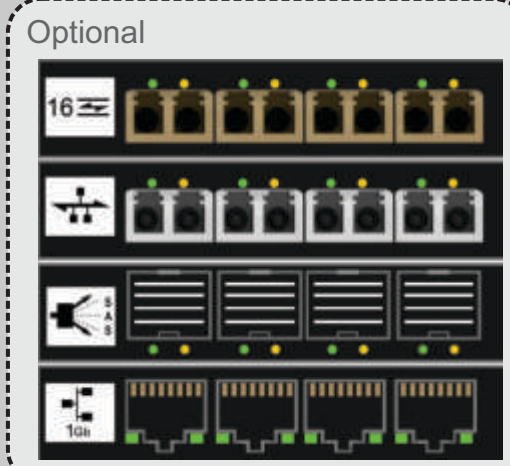
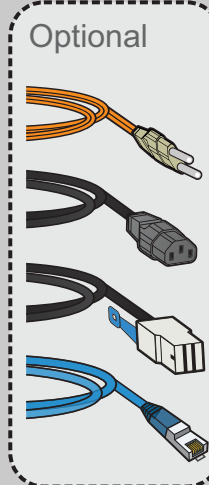
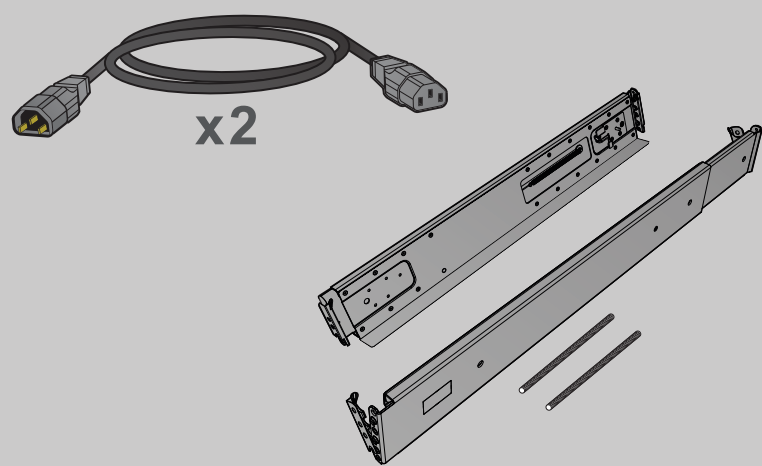
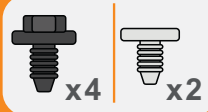


## ② Verify the enclosure packages

### \* Control enclosure



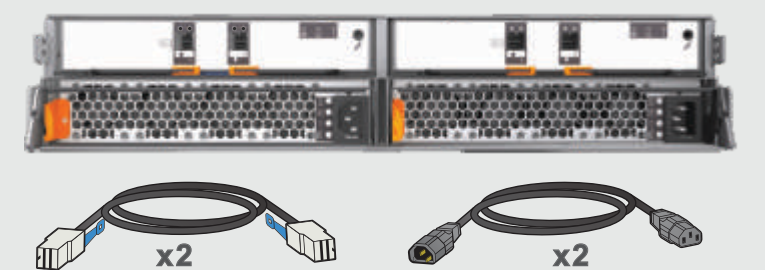
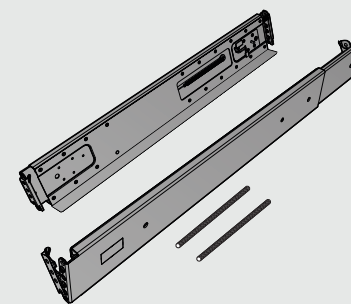
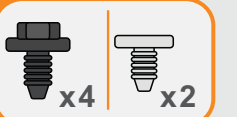
Hardware kit contains extra screws and pins for various rack types.



### Expansion enclosure

Optional

Hardware kit contains extra screws and pins for various rack types.



## ③ Install enclosures

\*

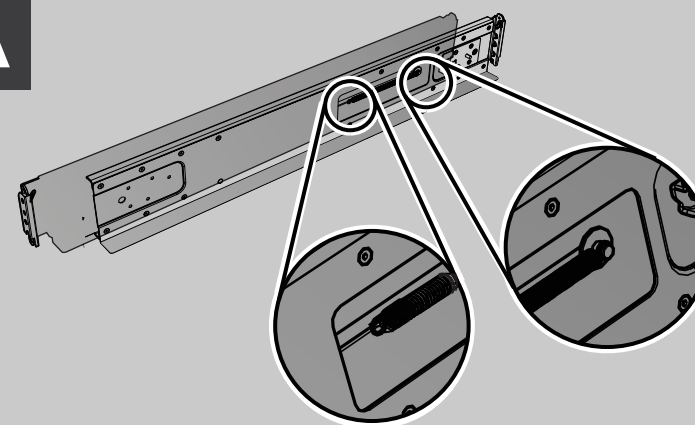
1

2

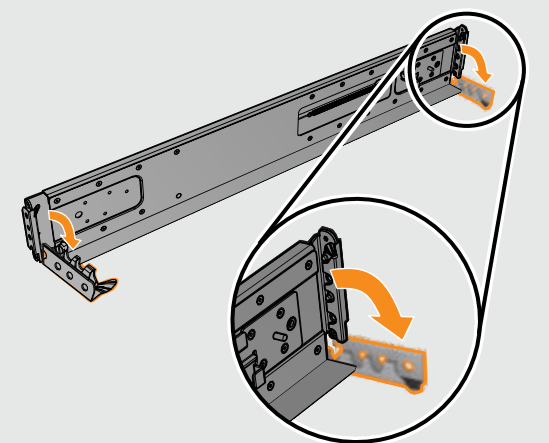
3



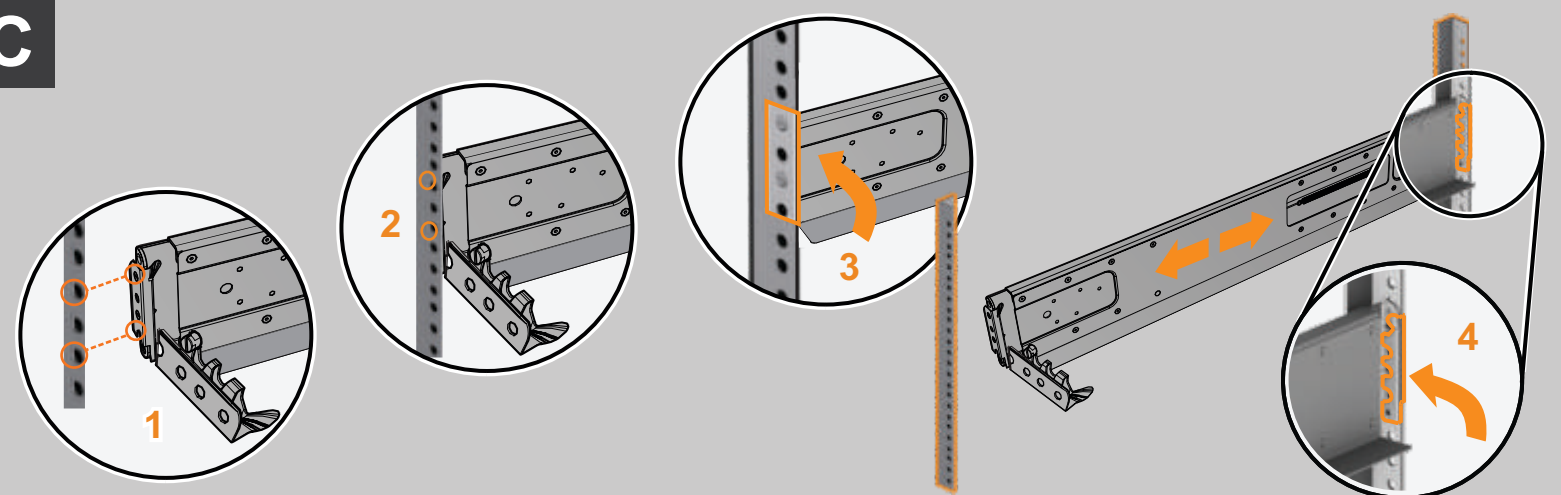
A



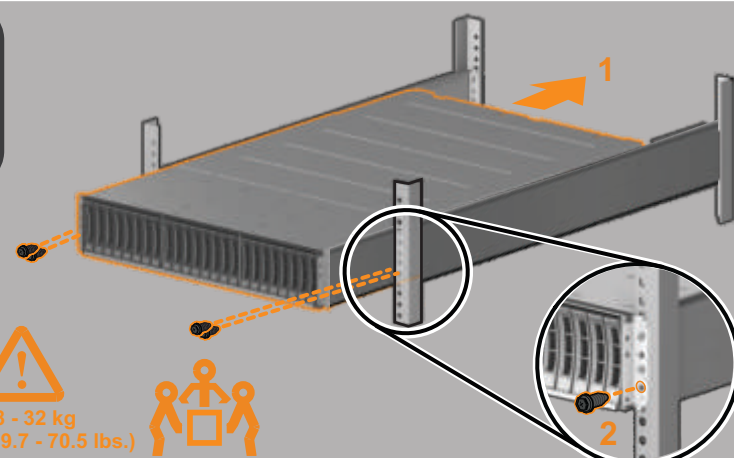
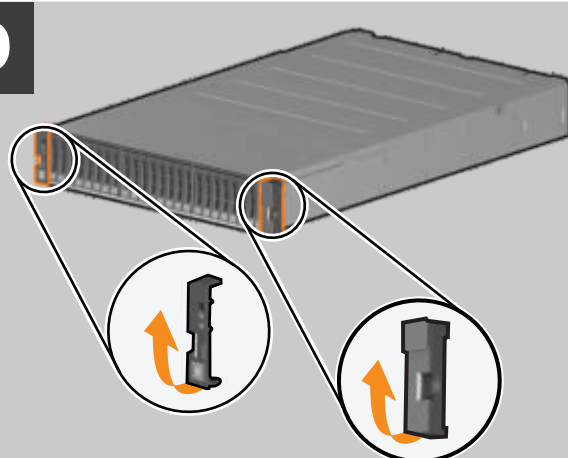
B



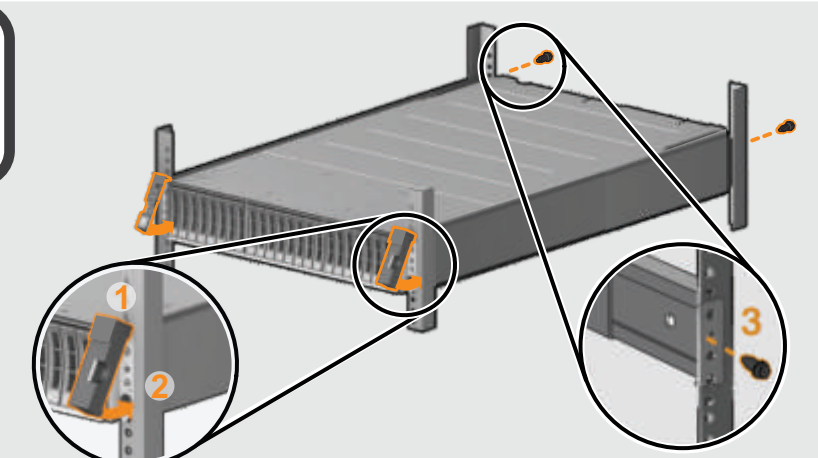
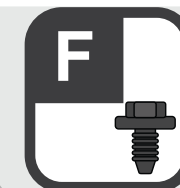
C



D

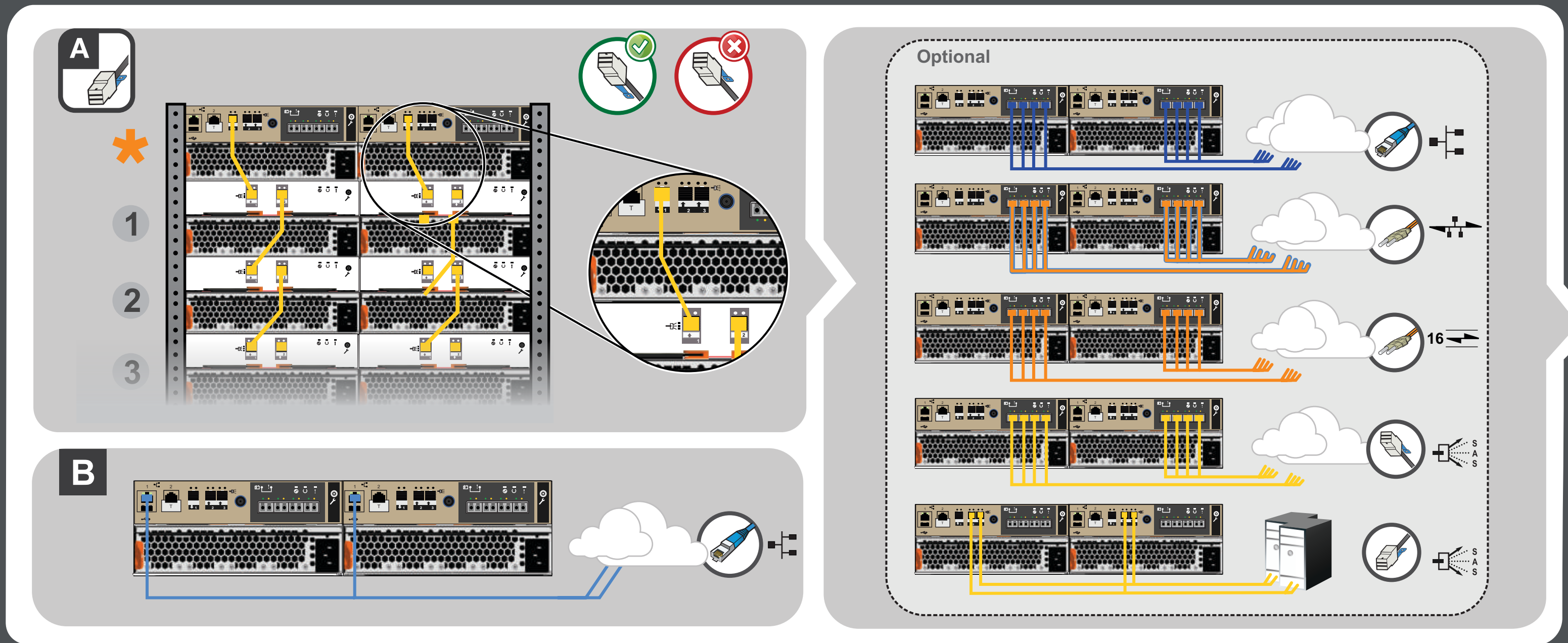


18 - 32 kg  
(39.7 - 70.5 lbs.)

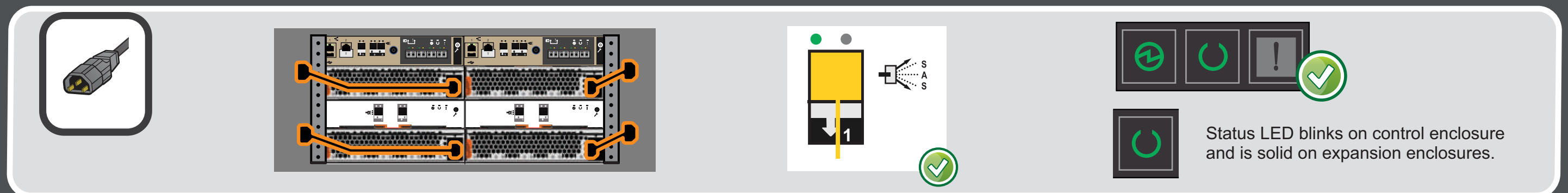


01EJ628

## ④ Connect cables



## ⑤ Power on the system



## ⑥ Configure the system

### A Connect personal computer to technician port

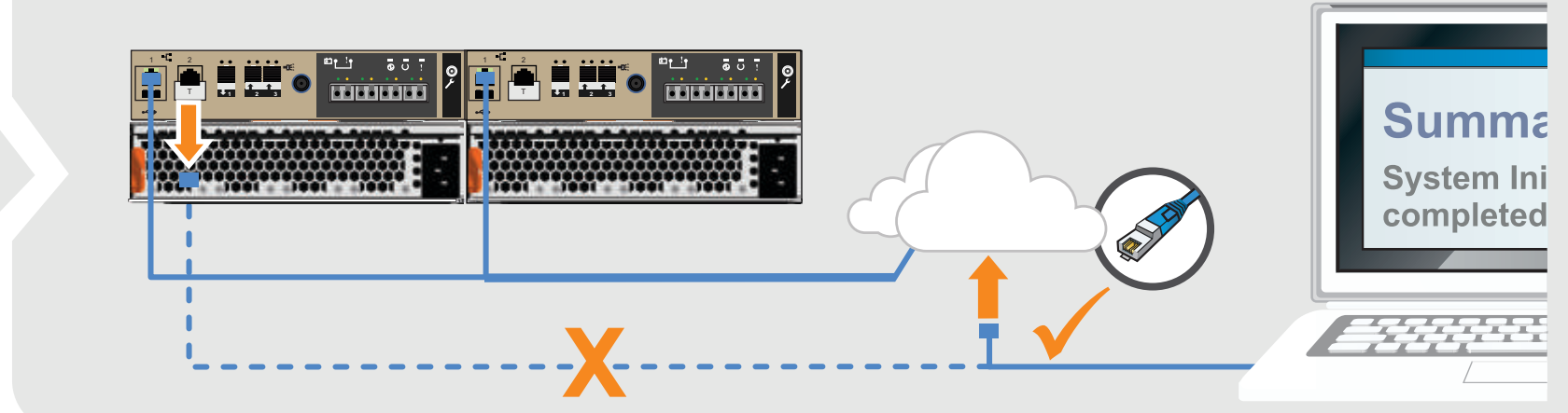
- DHCP available: personal computer is automatically configured
- DHCP not available:
  - IP address (192.168.0.2)
  - Subnet mask (255.255.255.0)
  - DNS server (192.168.0.1)



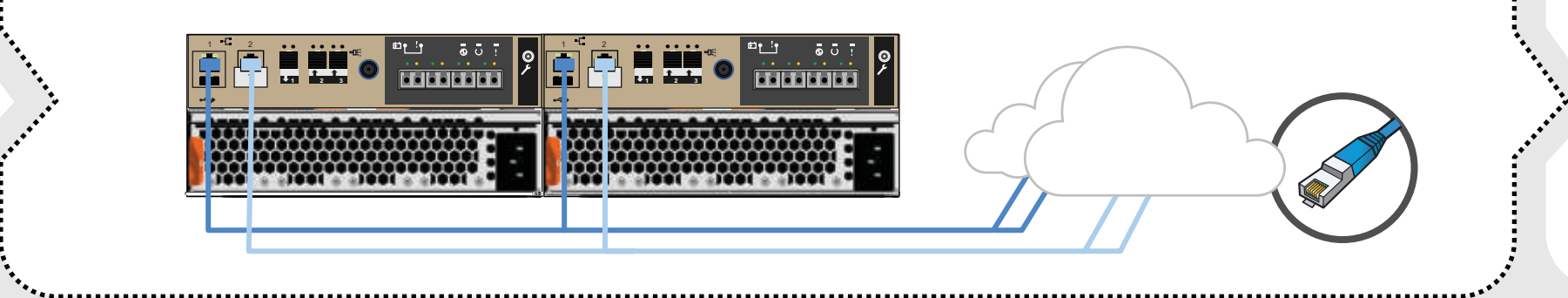
### B Complete system initialization



### C Connect personal computer to network



### D Connect Ethernet port 2 to network (Optional)



### E Complete system set up

