



# Lenovo 42U Enterprise Primary Rack and 42U Enterprise Expansion Rack Installation Guide



**Note:** Before using this information and the product it supports, read the general information in Appendix B “Notices” on page 25, the *Rack Safety Information* and *Environmental Notices and User Guide* documents on the *Lenovo Documentation CD*, and the *Important Notices* document that comes with the product.

Second Edition (August 2018)

© Copyright Lenovo 2001, 2010.

**LIMITED AND RESTRICTED RIGHTS NOTICE:** If data or software is delivered pursuant to a General Services Administration (GSA) contract, use, reproduction, or disclosure is subject to restrictions set forth in Contract No. GS-35F-05925

---

# Contents

Safety . . . . .	ii	Getting help and information from the World Wide Web . . . . .	22
<b>Chapter 1. Introduction . . . . .</b>	<b>1</b>	How to send DSA data . . . . .	22
The Lenovo Documentation CD . . . . .	1	Creating a personalized support web page . . . . .	22
Hardware and software requirements . . . . .	1	Software service and support . . . . .	23
Using the Documentation Browser . . . . .	1	Hardware service and support . . . . .	23
Notices and statements in this document. . . . .	2	Taiwan product service . . . . .	23
<b>Chapter 2. Installing a rack cabinet. . . . .</b>	<b>3</b>	<b>Appendix B. Notices. . . . .</b>	<b>25</b>
Size and weight specifications . . . . .	3	Trademarks . . . . .	26
Lowering the leveling feet and installing the stabilizer bracket . . . . .	4	Important notes. . . . .	26
Removing and installing the lower and upper side covers . . . . .	5	Particulate contamination . . . . .	26
Removing and installing the lower side covers. . . . .	5	Telecommunication regulatory statement. . . . .	27
Removing and installing the upper 6U side covers. . . . .	6	Electronic emission notices . . . . .	27
Removing and installing rack doors . . . . .	7	Federal Communications Commission (FCC) statement . . . . .	27
Removing and installing the front door . . . . .	7	Industry Canada Class A emission compliance statement . . . . .	28
Removing and installing the rear door . . . . .	9	Avis de conformité à la réglementation d'Industrie Canada. . . . .	28
Removing and installing the upper 6U portion . . . . .	10	Australia and New Zealand Class A statement . . . . .	28
Attaching rack cabinets in a suite . . . . .	10	European Union EMC Directive conformance statement . . . . .	28
Installing optional devices . . . . .	12	Germany Class A statement . . . . .	28
Installing clip nuts . . . . .	12	Japan VCCI Class A statement . . . . .	29
<b>Chapter 3. Managing cables . . . . .</b>	<b>13</b>	Japan Electronics and Information Technology Industries Association (JEITA) statement . . . . .	29
Using the cable-access opening in the top of the rack . . . . .	14	Korea Communications Commission (KCC) statement . . . . .	29
<b>Chapter 4. Moving a rack cabinet. . . . .</b>	<b>15</b>	Russia Electromagnetic Interference (EMI) Class A statement . . . . .	30
<b>Chapter 5. Customer replaceable unit parts . . . . .</b>	<b>19</b>	People's Republic of China Class A electronic emission statement . . . . .	30
<b>Appendix A. Getting help and technical assistance . . . . .</b>	<b>21</b>	Taiwan Class A compliance statement . . . . .	30
Before you call . . . . .	21	<b>Index . . . . .</b>	<b>31</b>
Using the documentation . . . . .	22		

---

## Safety

Before installing this product, read the Safety Information.

قبل تركيب هذا المنتج، يجب قراءة الملاحظات الأمنية

Antes de instalar este produto, leia as Informações de Segurança.

在安装本产品之前，请仔细阅读 **Safety Information** (安全信息)。

安裝本產品之前，請先閱讀「安全資訊」。

Prije instalacije ovog produkta obavezno pročitajte Sigurnosne Upute.

Před instalací tohoto produktu si přečtěte příručku bezpečnostních instrukcí.

Læs sikkerhedsforskrifterne, før du installerer dette produkt.

Lees voordat u dit product installeert eerst de veiligheidsvoorschriften.

Ennen kuin asennat tämän tuotteen, lue turvaohjeet kohdasta Safety Information.

Avant d'installer ce produit, lisez les consignes de sécurité.

Vor der Installation dieses Produkts die Sicherheitshinweise lesen.

Πριν εγκαταστήσετε το προϊόν αυτό, διαβάστε τις πληροφορίες ασφάλειας (safety information).

לפני שתתקינו מוצר זה, קראו את הוראות הבטיחות.

A termék telepítése előtt olvassa el a Biztonsági előírásokat!

Prima di installare questo prodotto, leggere le Informazioni sulla Sicurezza.

製品の設置の前に、安全情報をお読みください。

본 제품을 설치하기 전에 안전 정보를 읽으십시오.

Пред да се инсталира овој продукт, прочитајте информацијата за безбедност.

Les sikkerhetsinformasjonen (Safety Information) før du installerer dette produktet.

Przed zainstalowaniem tego produktu, należy zapoznać się z książką "Informacje dotyczące bezpieczeństwa" (Safety Information).

Antes de instalar este produto, leia as Informações sobre Segurança.

Перед установкой продукта прочтите инструкции по технике безопасности.

Pred inštaláciou tohto zariadenia si pečítajte Bezpečnostné predpisy.

Pred namestitvijo tega proizvoda preberite Varnostne informacije.

Antes de instalar este producto, lea la información de seguridad.

Läs säkerhetsinformationen innan du installerar den här produkten.

Each caution and danger statement in this document is labeled with a number. This number is used to cross reference an English-language caution or danger statement with translated versions of the caution or danger statement in the *Lenovo Rack Safety Information* document. For example, if a caution statement is labeled "Statement 1," translations for that caution statement are in the *Lenovo Rack Safety Information* document under "Statement 1."

Be sure to read all caution and danger statements in this document before you perform the procedures. Read any additional safety information that comes with the server or optional device before you install the device.

#### Statement 1



#### CAUTION:

**To ensure safety, all configurations of the rack cabinet must be certified by a nationally recognized testing laboratory in order to verify compliance with country-specific safety regulations. This process ensures that the end product remains safe for the operator and service personnel under normal and foreseeable misuse conditions.**

#### Statement 2





- Always lower the leveling pads on the rack cabinet.
- Always install stabilizer brackets on the rack cabinet.
- Always install servers and optional devices starting from the bottom of the rack cabinet.
- Always install the heaviest devices in the bottom of the rack cabinet.

**Statement 3**



- Do not extend more than one sliding device at a time.
- The maximum allowable weight for devices on slide rails is 80 kg (176 lb). Do not install sliding devices that exceed this weight.

**Statement 4**





**Electrical current from power, telephone, and communication cables is hazardous.**

**To avoid a shock hazard:**

- **Do not connect or disconnect any cables or perform installation, maintenance, or reconfiguration of this product during an electrical storm.**
- **Connect all power cords to a properly wired and grounded electrical outlet.**
- **Connect to properly wired outlets any equipment that will be attached to this product.**
- **When possible, use one hand only to connect or disconnect signal cables.**
- **Never turn on any equipment when there is evidence of fire, water, or structural damage.**
- **Disconnect the attached power cords, telecommunications systems, networks, and modems before you open the device covers, unless instructed otherwise in the installation and configuration procedures.**
- **Connect and disconnect cables as described in the following table when installing, moving, or opening covers on this product or attached devices.**

**To Connect:**

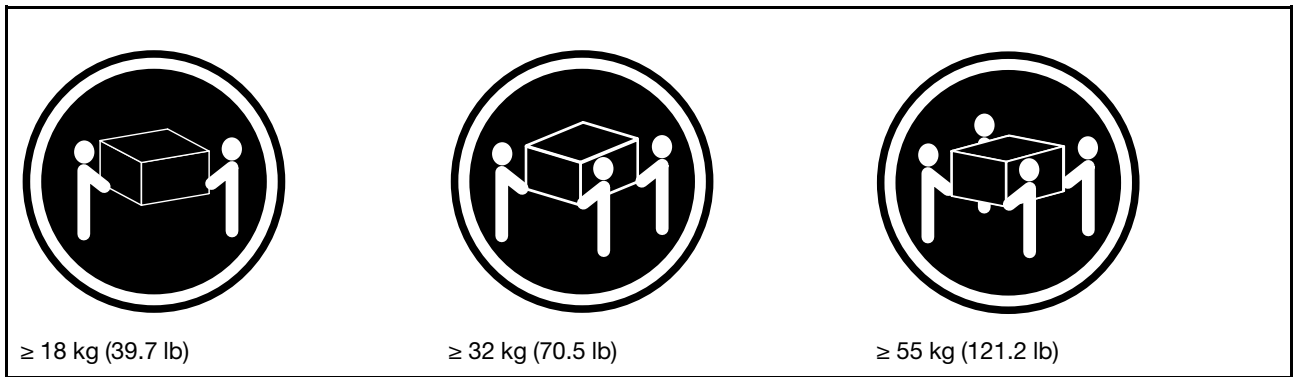
1. Turn everything OFF.
2. First, attach all cables to devices.
3. Attach signal cables to connectors.
4. Attach power cords to outlet.
5. Turn device ON.

**To Disconnect:**

1. Turn everything OFF.
2. First, remove power cords from outlet.
3. Remove signal cables from connectors.
4. Remove all cables from devices.

**Statement 5**





**CAUTION:**  
Use safe practices when lifting.

Statement 6



**CAUTION:**  
Do not place any object on top of a rack-mounted device unless that rack-mounted device is intended for use as a shelf.

Statement 8





 **DANGER**

- Plug power cords from devices in the rack cabinet into electrical outlets that are located near the rack cabinet and are easily accessible.
- Each rack cabinet might have more than one power cord. Be sure to disconnect all power cords in the rack cabinet before servicing any device in the rack cabinet.
- Install an emergency-power-off switch if more than one power device (power distribution unit or uninterruptible power supply) is installed in the same rack cabinet.
- Connect all devices installed in a rack cabinet to power devices installed in the same rack cabinet. Do not plug a power cord from a device installed in one rack cabinet into a power device installed in a different rack cabinet.

**Statement 10**



**CAUTION:**

Removing components from the upper positions in the Enterprise Rack cabinet improves rack stability during relocation. Follow these general guidelines whenever you relocate a populated rack cabinet within a room or building:

- Reduce the weight of the rack cabinet by removing equipment starting at the top of the rack cabinet. When possible, restore the rack cabinet to the configuration of the rack cabinet as you received it. If this configuration is not known, you must do the following:
  - Remove all devices in the 32U position and above.
  - Ensure that the heaviest devices are installed in the bottom of the rack cabinet.
  - Ensure that there are no empty U-levels between devices installed in the rack cabinet below the 32U level.
- If the rack cabinet you are relocating is part of a suite of rack cabinets, detach the rack cabinet from the suite.
- Inspect the route that you plan to take to eliminate potential hazards.
- Verify that the route that you choose can support the weight of the loaded rack cabinet. Refer to the documentation that comes with your rack cabinet for the weight of a loaded rack cabinet.
- Verify that all door openings are at least 760 x 2030 mm (30 x 80 in.)
- Ensure that all devices, shelves, drawers, doors, and cables are secure.
- Ensure that the four leveling pads are raised to their highest position.
- Ensure that there is no stabilizer bracket installed on the rack cabinet.
- Do not use a ramp inclined at more than ten degrees.

- Once the rack cabinet is in the new location, do the following:
  - Lower the four leveling pads.
  - Install stabilizer brackets on the rack cabinet.
  - If you removed any devices from the rack cabinet, repopulate the rack cabinet from the lowest position to the highest position.

If a long distance relocation is required, restore the rack cabinet to the configuration of the rack cabinet as you received it. Pack the rack cabinet in the original packaging material, or equivalent. Also, lower the leveling pads to raise the casters off of the pallet and bolt the rack cabinet to the pallet.

Statement 12



**CAUTION:**

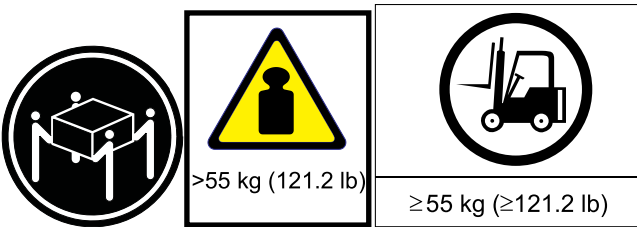
See the instructions in the rack documentation before you install devices, remove devices, or relocate the rack.

Statement 13



**CAUTION:**

The weight of this part or unit is more than 55 kg (121.2 lb). It takes specially trained persons, a lifting device, or both to safely lift this part or unit.





> 500 lbs. (> 227 kg.)



**Use Only Professional Movers!**

يجب الاستعانة بخبرات نقل متدربة

Utilizar somente transportadores profissionais

Faire appel à des professionnels seulement pour déplacer l'équipement.

只能使用专业搬运机

Maak gebruik van professionele verhuizers

Faites exclusivement appel à des déménageurs professionnels.

Nur professionelle Transportunternehmen mit der Durchführung beauftragen.

Να μετακινείται μόνο από επαγγελματίες μεταφορείς

העזרו במובילים מקצועיים בלבד

Csak hivatásos szállítóval költöztesse

Avvalersi solo di trasportatori esperti

機器を移動するには専門の業者に依頼してください。

전문 운송 인력만이 이동시킬 수 있습니다.

Należy korzystać wyłącznie z usług wyspecjalizowanych firm.

El traslado del equipo debe realizarlo personal especializado

Trebaju raditi samo profesionalni transportni radnici

Použite pouze profesionální flytťevoky

Brug kun professionelle flytťefolk.

Käytä vain ammattitaitoista kuljetusliikettä

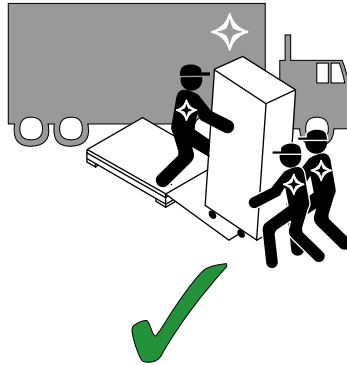
Utstyret må kun flyttes av godkjent flytťepersonell

Contacte apenas transportadoras profissionais

Используйте только профессиональных грузчиков

Na presun použite len profesionálov

Använd endast professionell flytťpersonal



**Use Only Professional Movers!**

**! ATTENTION !**



**Note:** Each stand-alone rack must be attached to the floor by a trained service technician according to your local building codes. Place a fastener in each corner of the rack. Each fastener must have a rated pull-out force of at least 460 newtons.

**United Kingdom - Notice to Customers:**

This apparatus is approved under approval number NS/G/1234/J/100003 for indirect connection to public telecommunication systems in the United Kingdom.

---

## Chapter 1. Introduction

This document contains general installation instructions for the Lenovo 42U Enterprise Rack and Lenovo 42U Enterprise Expansion Rack cabinets. Always read the documentation that comes with your server or optional device for detailed installation instructions.

Installing the rack cabinet consists of the following tasks:

1. Unpack the rack according to the *Unpacking Instructions* document that comes with the rack cabinet.
2. Locate the rack according to the *Lenovo eServer xSeries Rack Planning Guide*.
3. Install rack stabilizer brackets on all racks.
4. Prepare the rack for optional devices:
  - Remove the side covers, if applicable.
  - Remove the front and rear doors from all racks, if necessary.
  - Attach expansion racks to a standard rack or to each other to form suites.
5. Install one or more optional devices.

**Note:** Install the heaviest devices in the bottom of the rack cabinet.

6. Complete the rack cabinet installation:
  - Reinstall side covers on all racks or on the outermost racks in a suite.
  - Reinstall front and rear doors on all racks cabinets.

If documentation updates are available, you can download them from the Lenovo website. The rack cabinet might have features that are not described in the documentation that comes with the rack, and the documentation might be updated occasionally to include information about those features, or technical updates might be available to provide additional information that is not included in the rack documentation. Changes are made periodically to the website.

---

## The Lenovo Documentation CD

The Lenovo *Documentation* CD contains documentation for the rack cabinet in Portable Document Format (PDF) and includes the Lenovo Documentation Browser to help you find information quickly.

## Hardware and software requirements

The *Documentation* CD requires the following minimum hardware and software:

- Microsoft Windows XP, Windows 2000, or Red Hat Linux
- 100 MHz microprocessor
- 32 MB of RAM
- Adobe Acrobat Reader 3.0 (or later) or xpdf, which comes with Linux operating systems

## Using the Documentation Browser

Use the Documentation Browser to browse the contents of the CD, read brief descriptions of the documents, and view documents, using Adobe Acrobat Reader or xpdf. The Documentation Browser automatically detects the regional settings in your computer and displays the documents in the language for that region (if

available). If a document is not available in the language for that region, the English-language version is displayed.

Use one of the following procedures to start the Documentation Browser:

- If Autostart is enabled, insert the CD into the CD or DVD drive. The Documentation Browser starts automatically.
- If Autostart is disabled or is not enabled for all users, use one of the following procedures:
  - If you are using a Windows operating system, insert the CD into the CD or DVD drive and click **Start --> Run**. In the **Open** field, type  
e:\win32.bat  
where e is the drive letter of the CD or DVD drive, and click **OK**.
  - If you are using Red Hat Linux, insert the CD into the CD or DVD drive; then, run the following command from the /mnt/cdrom directory:  
sh runlinux.sh

Select the rack cabinet from the **Product** menu. The **Available Topics** list displays all the documents for the rack. Some documents might be in folders. A plus sign (+) indicates each folder or document that has additional documents under it. Click the plus sign to display the additional documents.

When you select a document, a description of the document is displayed under **Topic Description**. To select more than one document, press and hold the Ctrl key while you select the documents. Click **View Book** to view the selected document or documents in Acrobat Reader or xpdf. If you selected more than one document, all the selected documents are opened in Acrobat Reader or xpdf.

To search all the documents, type a word or word string in the **Search** field and click **Search**. The documents in which the word or word string appears are listed in order of the most occurrences. Click a document to view it, and press Ctrl+F to use the Acrobat search function, or press Alt+F to use the xpdf search function within the document.

Click **Help** for detailed information about using the Documentation Browser.

---

## Notices and statements in this document

The caution and danger statements in this document are also in the multilingual *Lenovo Rack Safety Information* document that comes with the rack cabinet. Each statement is numbered for reference to the corresponding statement in your language in the *Rack Safety Information* document.

The following notices and statements are used in this document:

- **Note:** These notices provide important tips, guidance, or advice.
- **Important:** These notices provide information or advice that might help you avoid inconvenient or problem situations.
- **Attention:** These notices indicate potential damage to programs, devices, or data. An attention notice is placed just before the instruction or situation in which damage might occur.
- **Caution:** These statements indicate situations that can be potentially hazardous to you. A caution statement is placed just before the description of a potentially hazardous procedure step or situation.
- **Danger:** These statements indicate situations that can be potentially lethal or extremely hazardous to you. A danger statement is placed just before the description of a potentially lethal or extremely hazardous procedure step or situation.

---

## Chapter 2. Installing a rack cabinet

The primary and expansion rack cabinets are 42U-high<sup>1</sup> racks. The primary rack cabinet comes with side covers installed. The expansion rack cabinet does not come with side covers but includes the required hardware for building a suite of racks. You need one standard rack cabinet per suite.

### Notes:

1. Each stand-alone rack must be attached to the floor by a trained service technician according to your local building codes.
2. The illustrations in this document might differ slightly from your hardware.

### Statement 1



### CAUTION:

To ensure safety, all configurations of the rack cabinet must be certified by a nationally recognized testing laboratory in order to verify compliance with country-specific safety regulations. This process ensures that the end product remains safe for the operator and service personnel under normal and foreseeable misuse conditions.

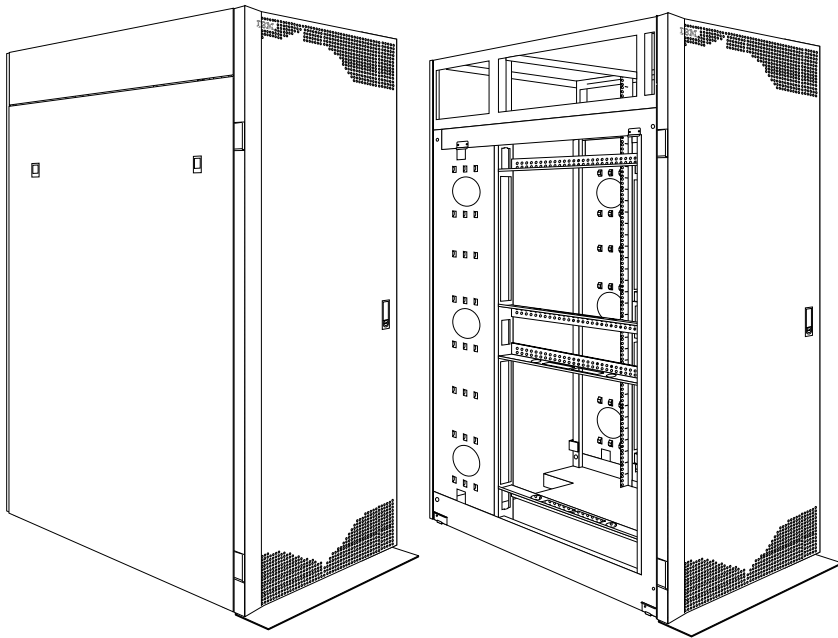


Figure 1. Primary rack cabinet with side covers and expansion rack cabinet without side covers

---

## Size and weight specifications

The 42U enterprise rack and 42U enterprise expansion rack conform to the Electronic Industries Association (EIA) standard *EIA-310-D Cabinets, Racks, Panels, and Associated Equipment (1992)*. For the rack cabinet

---

1. One U is equal to 4.45 cm (1.75 in.)

dimensions and weights, see Table 1 “Lenovo 42U Enterprise Primary Rack and Lenovo 42U Enterprise Expansion Rack physical dimensions” on page 4 and Table 2 “Lenovo 42U Enterprise Primary Rack and Lenovo 42U Enterprise Expansion Rack weights” on page 4.

Table 1. *Lenovo 42U Enterprise Primary Rack and Lenovo 42U Enterprise Expansion Rack physical dimensions*

Configuration	Dimensions
9308-4PX 42U enterprise primary rack cabinet	2019 mm x 648 mm x 1105 mm (79.4 in. x 25.5 in. x 43.5 in.)
9308-4PX 42U enterprise expansion rack cabinet	2019 mm x 640 mm x 1105 mm (79.4 in. x 25.2 in. x 43.5 in.)

Table 2. *Lenovo 42U Enterprise Primary Rack and Lenovo 42U Enterprise Expansion Rack weights*

	9308-4PX 42U enterprise primary rack	9308-4EX 42U enterprise expansion rack
<b>Empty</b>	220 kg (485 lb)	177 kg (390 lb)
<b>Maximum load</b>	950 kg (2094 lb)	950 kg (2094 lb)
<b>Maximum configuration</b>	1170 kg (2579 lb)	1127 kg (2485 lb)

## Lowering the leveling feet and installing the stabilizer bracket

See the unpacking instructions that come with the rack cabinet for information about how to unpack and locate the rack; then, lower the rack-leveling feet and install the front stabilizer bracket for added stability.

### Statement 2



- **Always lower the leveling pads on the rack cabinet.**
- **Always install stabilizer brackets on the rack cabinet.**
- **Always install servers and optional devices starting from the bottom of the rack cabinet.**
- **Always install the heaviest devices in the bottom of the rack cabinet.**



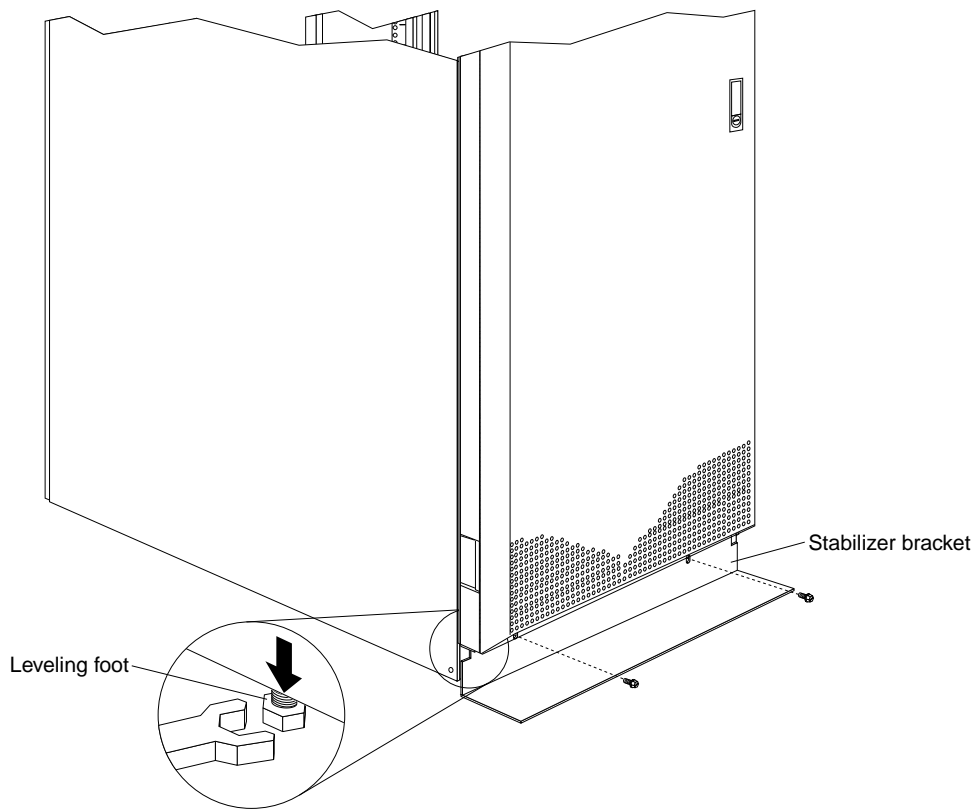


Figure 2. Lowering the leveling feet and installing the stabilizer bracket

To lower the leveling feet and install the front stabilizer bracket, complete the following steps:

1. Using the leveling pad wrench that comes with the rack cabinet, lower each of the four leveling feet just enough so that they touch the floor. The rack casters support the weight of the rack cabinet. The feet prevent the rack from rolling.
2. Attach the stabilizer bracket to the front of the rack cabinet with the two M8 x 25 mm screws that come with the bracket.

---

## Removing and installing the lower and upper side covers

The primary rack cabinet comes with side covers installed. Remove the side covers from a primary rack cabinet, or the outermost rack cabinets in a suite, before you install or remove optional devices.

## Removing and installing the lower side covers

To remove the lower side covers, complete the following steps.

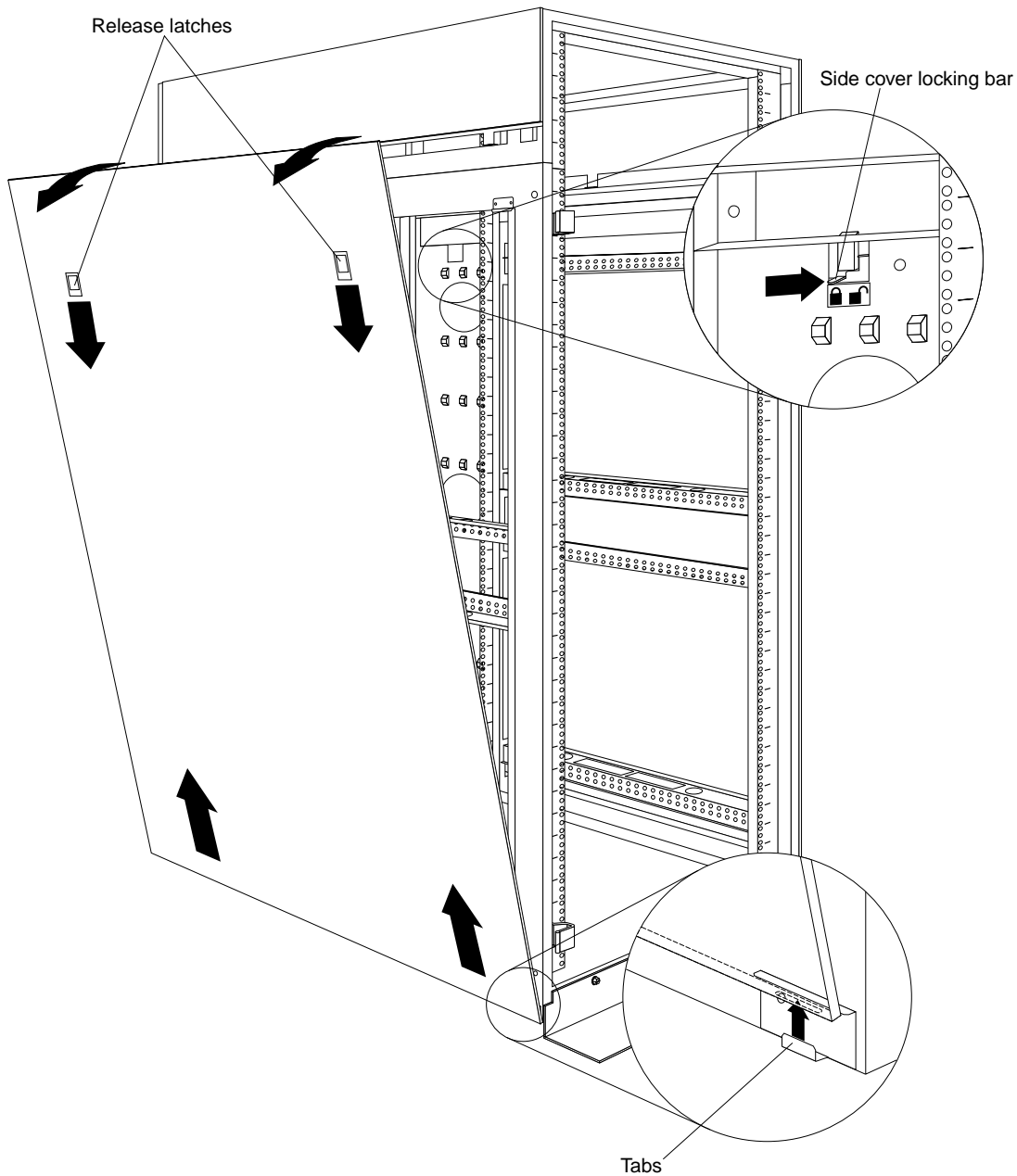


Figure 3. Removing the lower side cover

1. From the inside rear of the rack cabinet, slide the side cover locking bar toward the unlocked position.
2. Push down the release latches and tilt the side panel slightly toward you; then, lift the side cover away from the tabs on the bottom of the rack cabinet.
3. Repeat this procedure to remove the other side cover.

Reverse this procedure to install the lower side covers. Slide the locking bar to the locked position to secure the side cover to the rack cabinet.

## Removing and installing the upper 6U side covers

**Note:** You do not need to remove the upper 6U side covers unless you are building a suite of rack cabinets.

To remove the upper 6U side covers from the rack cabinet, complete the following steps.

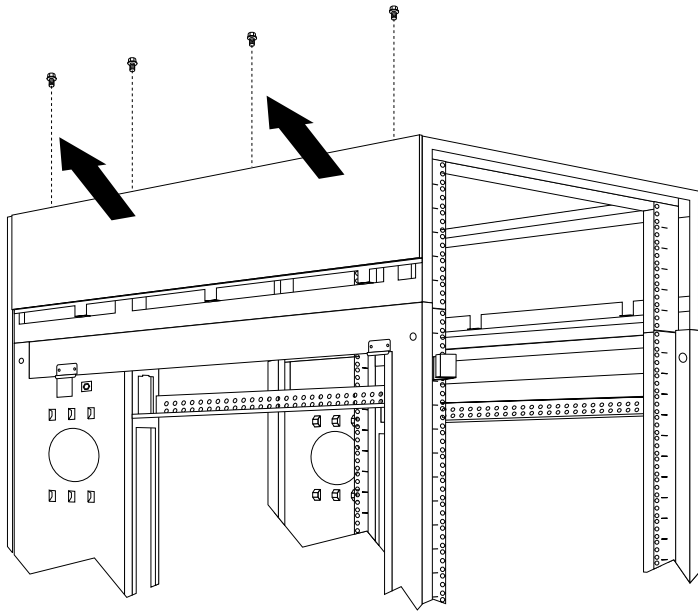


Figure 4. Removing the upper 6U side covers from the rack cabinet

1. On the top of the rack cabinet, loosen the four screws that hold the side cover in place.
2. Tilt the side cover slightly toward you; then, remove it from the rack cabinet.
3. Repeat this procedure to remove the other upper side cover.

Reverse this procedure to install the upper 6U side covers on the rack cabinet.

---

## Removing and installing rack doors

All enterprise racks come with front and rear doors installed. Remove the rack doors when you install and remove devices in the rack, if part of the rack is obstructed by the door as you install devices.

### Removing and installing the front door

To remove a front door from the rack cabinet, complete the following steps.

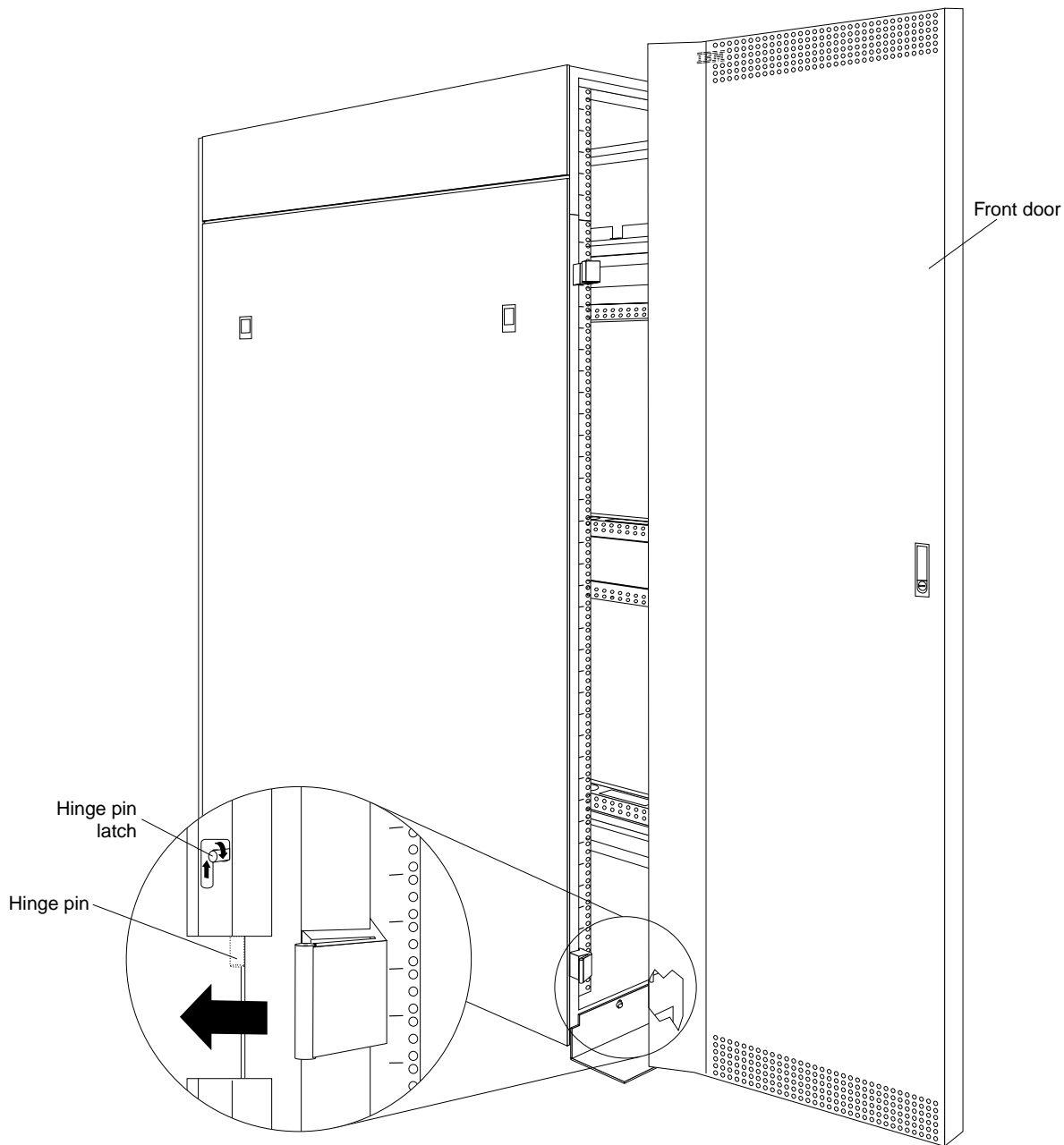


Figure 5. Removing a front door from the rack cabinet

- Step 1. Unlock and open the front door.
- Step 2. Holding the door firmly with one hand, push each hinge pin latch up and to the right to release the hinge pins.
- Step 3. Grasp the door firmly with both hands and pull it away from the rack cabinet; then, set the door aside.

Reverse this procedure to install the front door on the rack cabinet.

**Attention:** When you install the front door, make sure that you align the hinge pins with the hinges on the rack cabinet before you set the hinge pins into place.

## Removing and installing the rear door

To remove a rear door from the rack cabinet, complete the following steps.

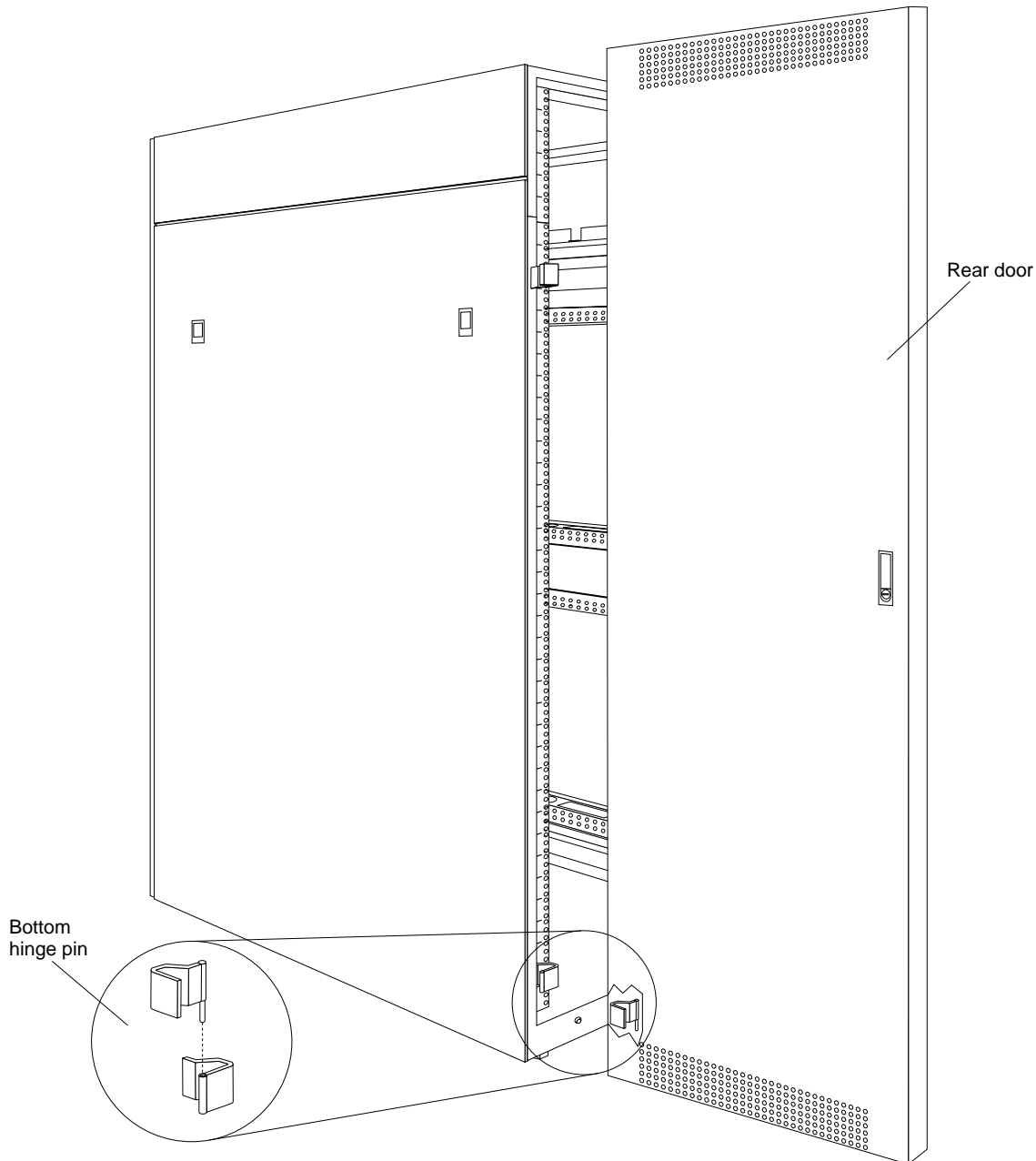


Figure 6. Removing a rear door from the rack cabinet

1. Unlock and open the rear door.
2. Grasp the door firmly with both hands, lift it up, and pull it away from the hinges; then, set the door aside.

Reverse this procedure to install the rear door on the rack cabinet.

**Attention:** The bottom hinge pin on the rear door is longer than the top hinge pin. Make sure that you engage the bottom hinge pin first when you install a rear door on the rack cabinet.

---

## Removing and installing the upper 6U portion

Remove the upper 6U portion when the enterprise rack is too high to pass through the door. Reinstall the upper 6U portion after the rack cabinet passes through the door. Before removing the upper 6U portion, install the support bar kit that comes with the rack cabinet. The support bars help align the upper 6U portion with the rack cabinet during the reinstallation.

To remove the upper 6U portion from the rack cabinet, complete the following steps:

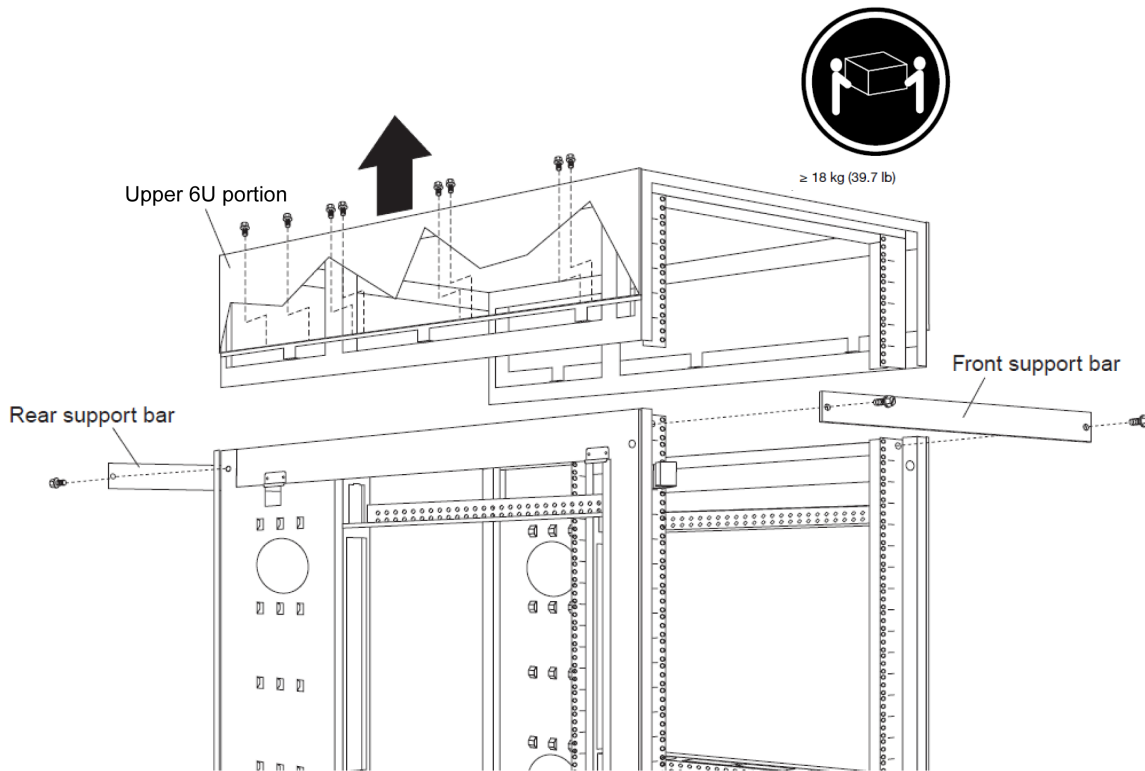


Figure 7. Removing and installing the upper 6U portion

- Step 1. On the front side of the rack cabinet, install the two screws to hold the front support bar in place.
- Step 2. On the rear side of the rack cabinet, install the two screws to hold the rear support bar in place.
- Step 3. Remove the screws that fix the upper 6U portion on the rack cabinet. Then, lift the upper 6U portion upward to remove it from the rack cabinet.

Reverse this procedure to install the upper 6U portion on the rack cabinet.

---

## Attaching rack cabinets in a suite

Expansion rack cabinets come with all the hardware that is required for you to attach rack cabinets together and form a suite. To attach rack cabinets together in a suite, complete the following steps.

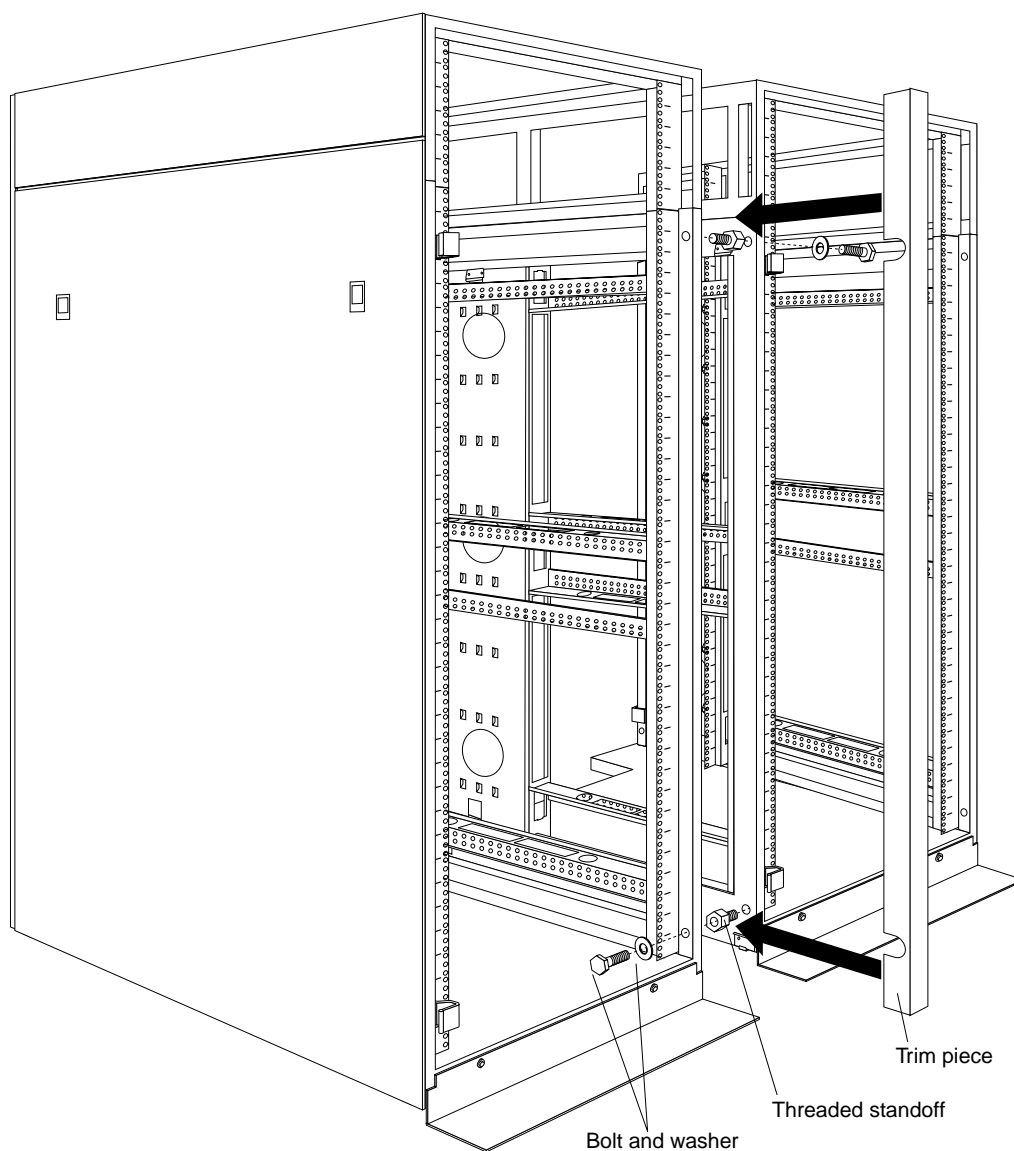


Figure 8. Attaching two adjacent rack cabinets to each other to form a suite

- Step 1. Remove the side covers (see “Removing and installing the lower and upper side covers” on page 5) from the side of a primary rack cabinet that is adjacent to an expansion rack in a suite.
- Step 2. Remove the front and rear doors (see “Removing and installing rack doors” on page 7) from both rack cabinets.
- Step 3. On the facing sides of the two adjacent rack cabinets, install the four threaded standoffs that come with the expansion rack cabinet:
  - a. Install two threaded standoffs on the rack cabinet to the left, one on the top-front and one on the bottom-rear.
  - b. Install the other two threaded standoffs on the rack cabinet to the right, one on the bottom-front and one on the top-rear.
- Step 4. Attach the rack cabinets together, using four bolts and washers that come with the expansion rack cabinet.

**Note:** You must install the top-front and bottom-rear bolts from right-to-left; then, install the bottom-front and top-rear bolts from left-to-right.

- Step 5. Snap the trim pieces into place between the adjacent rack cabinets. Install one trim piece in the front and one in the rear.
- Step 6. Install the side panels that you removed in step Step 1 on page 11 on the expansion rack cabinet.
- Step 7. Install the front and rear doors on both rack cabinets.

Repeat this procedure to attach additional expansion rack cabinets to the suite.

---

## Installing optional devices

There are many servers and optional devices that you can install in the rack cabinet. Always read the documentation that comes with your server or optional device for detailed installation instructions.

When you install devices in the rack cabinet, secure each device or the rails for that device on rack-mounting flanges. Some devices come with threaded holes on the rail-mounting flanges. Other devices require that you use clip nuts to install them in the rack cabinet.

Always install the heaviest devices in the bottom of the rack cabinet.

For information about optional, compatible devices that you can install in the rack cabinet, go to the ServerProven website at <http://www.ibm.com/systems/info/x86servers/serverproven/compat/us/>.

## Installing clip nuts

You must use clip nuts for all optional devices that do not have threaded holes. Install clip nuts on the rack-mounting flanges as shown in Figure 9 “Installing clip nuts on the rack-mounting flanges” on page 12.

**Note:** The rack cabinet comes with a supply of clip nuts, and devices that require them come with clip nuts.

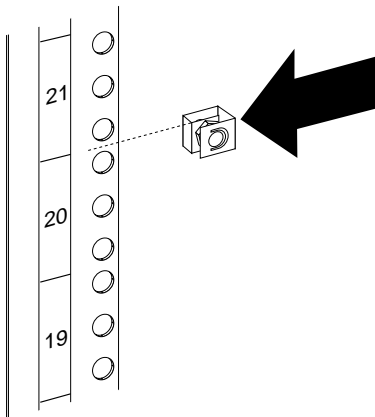


Figure 9. Installing clip nuts on the rack-mounting flanges

Some devices might require that you install clip nuts on the rail instead of clip nuts on the rack-mounting flanges. For information about when you must install the clip nuts, see the device documentation.



---

## Chapter 3. Managing cables

Always read the instructions that come with your server or optional device for detailed cable-management information.

### Statement 8



- **Plug power cords from devices in the rack cabinet into electrical outlets that are located near the rack cabinet and are easily accessible.**
- **Each rack cabinet might have more than one power cord. Be sure to disconnect all power cords in the rack cabinet before servicing any device in the rack cabinet.**
- **Install an emergency-power-off switch if more than one power device (power distribution unit or uninterruptible power supply) is installed in the same rack cabinet.**
- **Connect all devices installed in a rack cabinet to power devices installed in the same rack cabinet. Do not plug a power cord from a device installed in one rack cabinet into a power device installed in a different rack cabinet.**

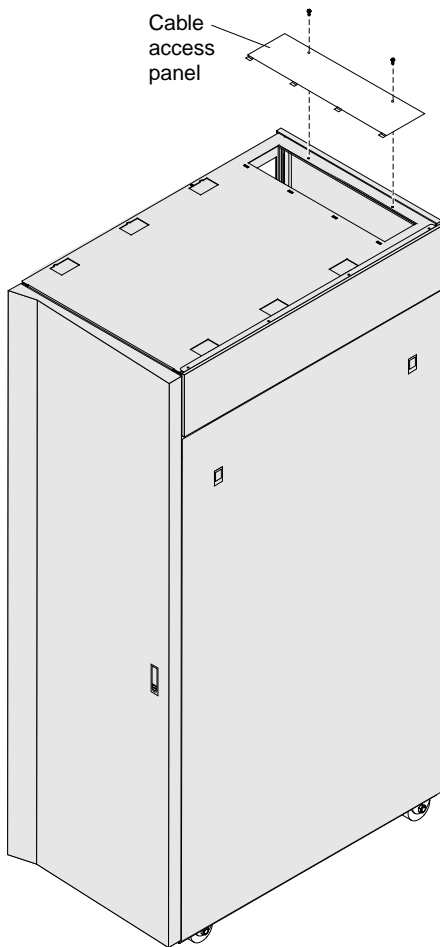
Use the following general guidelines when you cable servers or other devices that you install in a rack cabinet.

- Do not run cables in front of or behind other devices that will prevent service access to those devices.
- Do not bend a fiber-optic cable beyond its limited specifications.
- Label all cables so that they are clearly distinguishable from each other.
- When installing devices mounted on slide rails, such as servers:
  - Run the cables neatly along equipment cable-management arms and secure the cables to the arms using provided cable straps.
  - Leave enough extra cable so that the device can fully extend without straining the cables.
  - Secure the cables so that the device can retract without pinching or cutting the cables.
- When installing devices mounted on fixed rails:
  - Run the cables neatly along the posts or side rails in the rack cabinet out of the way of other installed devices.
  - Secure the cables with the provided cable straps.
- Make sure that the cables cannot be pinched or cut by the rack cabinet rear door or other devices.
- Run internal cables that connect devices in adjoining rack cabinets through the large openings provided in the rear of the rack cabinet.
- Run external cables through the holes in the bottom of the rack cabinet or through the removable section in the top of the rack cabinet.

---

## Using the cable-access opening in the top of the rack

You can route external cables through the rectangular cable-access opening in the top rear of the primary or expansion rack.



*Figure 10. Location of the cable-access opening*

To remove the cable-access panel, remove the two screws on the rear of the cable-access panel and remove the panel.

## Chapter 4. Moving a rack cabinet

Before you move the rack cabinet to another location, read the important guidelines in this chapter.

When you move a rack cabinet, observe the following safety guidelines.

 <p>&gt; 500 lbs. (&gt; 227 kg.)</p>		<p><b>Use Only Professional Movers!</b></p> <p>يجب الاستعانة بخبرات نقل متخصصة</p> <p>Utilizar somente transportadores profissionais</p> <p>Faire appel à des professionnels seulement pour déplacer l'équipement.</p> <p>只能使用专业搬运机</p> <p>Maak gebruik van professionele verhuizers</p> <p>Faites exclusivement appel à des déménageurs professionnels.</p> <p>Nur professionelle Transportunternehmen mit der Durchführung beauftragen.</p> <p>Να μετακινείται μόνο από επαγγελματίες μεταφορείς</p> <p>העזרה במובילים מקצועיים בלבד</p> <p>Csak hivatásos szállítóval költöztesse</p> <p>Avvalersi solo di trasportatori esperti</p> <p>機器を移動するには専門の業者に依頼してください。</p> <p>전문 운송 인력만이 이동시킬 수 있습니다.</p> <p>Należy korzystać wyłącznie z usług wyspecjalizowanych firm.</p> <p>El traslado del equipo debe realizarlo personal especializado</p> <p>Trebaju raditi samo profesionalni transportni radnici</p> <p>Použite pouze profesionální stěhováky</p> <p>Brug kun professionelle flyttefolk.</p> <p>Käytä vain ammattitaitoista kuljetusliikettä</p> <p>Utstyret må kun flyttes av godkjent flyttepersonell</p> <p>Contacte apenas transportadoras profissionais</p> <p>Используйте только профессиональных грузчиков</p> <p>Na presun použite len profesionálov</p> <p>Använd endast professionell flyttpersonal</p>
		<p><b>Use Only Professional Movers!</b></p>

### Statement 8





## DANGER

- Plug power cords from devices in the rack cabinet into electrical outlets that are located near the rack cabinet and are easily accessible.
- Each rack cabinet might have more than one power cord. Be sure to disconnect all power cords in the rack cabinet before servicing any device in the rack cabinet.
- Install an emergency-power-off switch if more than one power device (power distribution unit or uninterruptible power supply) is installed in the same rack cabinet.
- Connect all devices installed in a rack cabinet to power devices installed in the same rack cabinet. Do not plug a power cord from a device installed in one rack cabinet into a power device installed in a different rack cabinet.

### Statement 10



#### CAUTION:

Removing components from the upper positions in the Enterprise Rack cabinet improves rack stability during relocation. Follow these general guidelines whenever you relocate a populated rack cabinet within a room or building:

- Reduce the weight of the rack cabinet by removing equipment starting at the top of the rack cabinet. When possible, restore the rack cabinet to the configuration of the rack cabinet as you received it. If this configuration is not known, you must do the following:
  - Remove all devices in the 32U position and above.
  - Ensure that the heaviest devices are installed in the bottom of the rack cabinet.
  - Ensure that there are no empty U-levels between devices installed in the rack cabinet below the 32U level.
- If the rack cabinet you are relocating is part of a suite of rack cabinets, detach the rack cabinet from the suite.
- Inspect the route that you plan to take to eliminate potential hazards.
- Verify that the route that you choose can support the weight of the loaded rack cabinet. Refer to the documentation that comes with your rack cabinet for the weight of a loaded rack cabinet.
- Verify that all door openings are at least 760 x 2030 mm (30 x 80 in.)
- Ensure that all devices, shelves, drawers, doors, and cables are secure.
- Ensure that the four leveling pads are raised to their highest position.
- Ensure that there is no stabilizer bracket installed on the rack cabinet.
- Do not use a ramp inclined at more than ten degrees.
- Once the rack cabinet is in the new location, do the following:
  - Lower the four leveling pads.
  - Install stabilizer brackets on the rack cabinet.
  - If you removed any devices from the rack cabinet, repopulate the rack cabinet from the lowest position to the highest position.

**If a long distance relocation is required, restore the rack cabinet to the configuration of the rack cabinet as you received it. Pack the rack cabinet in the original packaging material, or equivalent. Also, lower the leveling pads to raise the casters off of the pallet and bolt the rack cabinet to the pallet.**

To move the rack cabinet to another location, complete the following general steps:

1. Follow the safety guidelines in this chapter.
2. Know the weight of the rack cabinet. To help determine the weight of the rack, see Table 2 “Lenovo 42U Enterprise Primary Rack and Lenovo 42U Enterprise Expansion Rack weights” on page 4. A general guideline is to assume a weight of 23 kg (50 lb) per rack U-space.
3. Use the following weight limit guidelines:
  - If the rack cabinet is empty, at least two people are required to move the rack.
  - If the rack cabinet weight is between 142 and 227 kg (between 313 and 500 lb), three or four people are required to move the rack.
  - If the rack cabinet weight is greater than 227 kg (500 lb), professional movers are required to move the rack.
4. Carefully move the rack cabinet to the new location by using the safety guidelines in this chapter.



## Chapter 5. Customer replaceable unit parts

The replaceable components that are available for the 42U Enterprise Primary Rack and 42U Enterprise Expansion Rack are described in this chapter.

For an updated parts listing, go to <http://www.ibm.com/supportportal/>.

Replaceable components are of three types:

- **Tier 1 customer replaceable unit (CRU):** Replacement of Tier 1 CRUs is your responsibility. If IBM installs a Tier 1 CRU at your request, you will be charged for the installation.
- **Tier 2 customer replaceable unit:** You may install a Tier 2 CRU yourself or request IBM to install it, at no additional charge, under the type of warranty service that is designated for your server.
- **Field replaceable unit (FRU):** FRUs must be installed only by trained service technicians.

For information about getting service and assistance, see “Getting help and information from the World Wide Web” on page 22. For information about the terms of the warranty, see the *Warranty Information* document that comes with the rack cabinet.

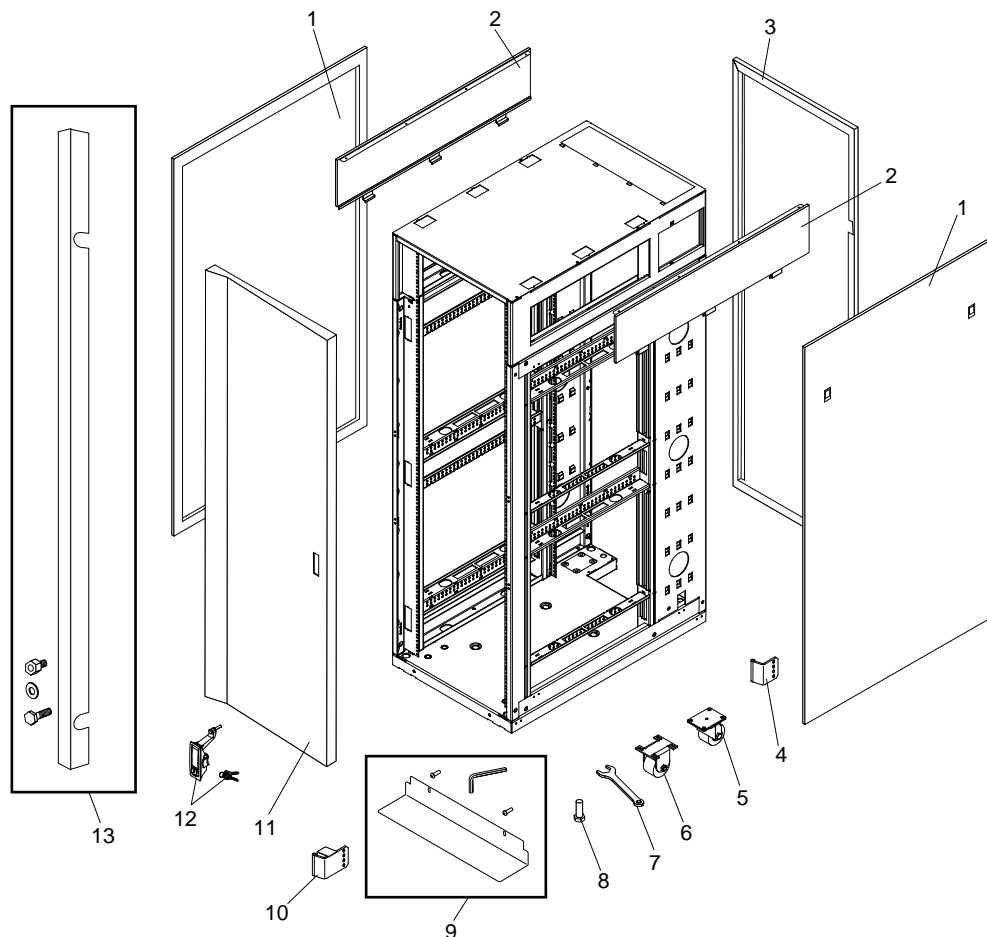


Table 3. Parts listing for Lenovo 42U Enterprise Primary Rack, Type 9308-4PX, and Lenovo 42U Enterprise Expansion Rack, Type 9308-4EX

Index	Description	CRU part number (Tier 1)	CRU part number (Tier 2)	FRU part number
1	Side cover, lower	05N6478		
2	Side cover, upper	05N4906		
3	Door, rear	41Y0558		
4	Hinge, rear door	05N4902		
5	Caster, swivel (rear)			05N4916
6	Caster, fixed (front)			05N4915
7	Wrench, leveling pad	05N4927		
8	Foot, leveling			05N4914
9	Stability kit (stabilizer bracket, hex key wrench, and screws)	41V0584		
10	Hinge, front door	09N9695		
11	Door, front	41Y0559		
12	Door latch with lock	05N4903		
13	Rack attachment kit (marriage kit)	05N4908		
	Support bar kit (for use if the upper 6U portion of the rack cabinet is removed)	12K0489		
	Hook and loop fastener	51H9502		



---

## Appendix A. Getting help and technical assistance

### Getting help and technical assistance

If you need help, service, or technical assistance or just want more information about Lenovo products, you will find a wide variety of sources available from Lenovo to assist you.

Use this information to obtain additional information about Lenovo and Lenovo products, and determine what to do if you experience a problem with your Lenovo system or optional device.

**Note:** This section includes references to IBM web sites and information about obtaining service. IBM is Lenovo's preferred service provider for the System x, Flex System, and NeXtScale System products.

---

### Before you call

Before you call, make sure that you have taken these steps to try to solve the problem yourself.

If you believe that you require warranty service for your Lenovo product, the service technicians will be able to assist you more efficiently if you prepare before you call.

- Check all cables to make sure that they are connected.
- Check the power switches to make sure that the system and any optional devices are turned on.
- Check for updated software, firmware, and operating-system device drivers for your Lenovo product. The Lenovo Warranty terms and conditions state that you, the owner of the Lenovo product, are responsible for maintaining and updating all software and firmware for the product (unless it is covered by an additional maintenance contract). Your service technician will request that you upgrade your software and firmware if the problem has a documented solution within a software upgrade.
- If you have installed new hardware or software in your environment, check <http://www.ibm.com/systems/info/x86servers/serverproven/compat/us/> to make sure that the hardware and software is supported by your product.
- Go to <http://www.ibm.com/supportportal/> to check for information to help you solve the problem.
- Gather the following information to provide to the service technician. This data will help the service technician quickly provide a solution to your problem and ensure that you receive the level of service for which you might have contracted.
  - Hardware and Software Maintenance agreement contract numbers, if applicable
  - Machine type number (Lenovo 4-digit machine identifier)
  - Model number
  - Serial number
  - Current system UEFI and firmware levels
  - Other pertinent information such as error messages and logs
- Go to [http://www.ibm.com/support/entry/portal/Open\\_service\\_request](http://www.ibm.com/support/entry/portal/Open_service_request) to submit an Electronic Service Request. Submitting an Electronic Service Request will start the process of determining a solution to your problem by making the pertinent information available to the service technicians. The IBM service technicians can start working on your solution as soon as you have completed and submitted an Electronic Service Request.

You can solve many problems without outside assistance by following the troubleshooting procedures that Lenovo provides in the online help or in the Lenovo product documentation. The Lenovo product

documentation also describes the diagnostic tests that you can perform. The documentation for most systems, operating systems, and programs contains troubleshooting procedures and explanations of error messages and error codes. If you suspect a software problem, see the documentation for the operating system or program.

---

## Using the documentation

Information about your Lenovo system and preinstalled software, if any, or optional device is available in the product documentation. That documentation can include printed documents, online documents, readme files, and help files.

See the troubleshooting information in your system documentation for instructions for using the diagnostic programs. The troubleshooting information or the diagnostic programs might tell you that you need additional or updated device drivers or other software. Lenovo maintains pages on the World Wide Web where you can get the latest technical information and download device drivers and updates. To access these pages, go to <http://www.ibm.com/supportportal/>.

---

## Getting help and information from the World Wide Web

Up-to-date information about Lenovo products and support is available on the World Wide Web.

On the World Wide Web, up-to-date information about Lenovo systems, optional devices, services, and support is available at <http://www.ibm.com/supportportal/>. The most current version of the product documentation is available in the following product-specific Information Centers:

### Flex System products:

<http://pic.dhe.ibm.com/infocenter/flexsys/information/index.jsp>

### System x products:

<http://www.ibm.com/systems/x>

### NeXtScale System products:

<http://pic.dhe.ibm.com/infocenter/nxtscale/documentation/index.jsp>

---

## How to send DSA data

You can use the Enhanced Customer Data Repository to send diagnostic data to IBM.

Before you send diagnostic data to IBM, read the terms of use at [http://www.ecurep.ibm.com/app/upload\\_hw](http://www.ecurep.ibm.com/app/upload_hw).

You can use any of the following methods to send diagnostic data:

- **Standard upload:**[http://www.ibm.com/de/support/ecurep/send\\_http.html](http://www.ibm.com/de/support/ecurep/send_http.html)
- **Standard upload with the system serial number:**[http://www.ecurep.ibm.com/app/upload\\_hw](http://www.ecurep.ibm.com/app/upload_hw)
- **Secure upload:**[http://www.ibm.com/de/support/ecurep/send\\_http.html#secure](http://www.ibm.com/de/support/ecurep/send_http.html#secure)
- **Secure upload with the system serial number:**[https://www.ecurep.ibm.com/app/upload\\_hw](https://www.ecurep.ibm.com/app/upload_hw)

---

## Creating a personalized support web page

You can create a personalized support web page by identifying Lenovo products that are of interest to you.

To create a personalized support web page, go to <http://www.ibm.com/support/mynotifications/>. From this personalized page, you can subscribe to weekly email notifications about new technical documents, search for information and downloads, and access various administrative services.

---

## Software service and support

Through IBM Support Line, you can get telephone assistance, for a fee, with usage, configuration, and software problems with your Lenovo products.

For more information about Support Line and other IBM services, see <http://www.ibm.com/services/> or see <http://www.ibm.com/planetwide/> for support telephone numbers. In the U.S. and Canada, call 1-800-IBM-SERV (1-800-426-7378).

---

## Hardware service and support

IBM is Lenovo's preferred service provider for the System x, Flex System and NeXtScale System products.

You can receive hardware service through your Lenovo reseller or from IBM. To locate a reseller authorized by Lenovo to provide warranty service, go to <http://www.ibm.com/partnerworld/> and click Business Partner Locator. For IBM support telephone numbers, see <http://www.ibm.com/planetwide/>. In the U.S. and Canada, call 1-800-IBM-SERV (1-800-426-7378).

In the U.S. and Canada, hardware service and support is available 24 hours a day, 7 days a week. In the U.K., these services are available Monday through Friday, from 9 a.m. to 6 p.m.

---

## Taiwan product service

Use this information to contact IBM Taiwan product service.

台灣 IBM 產品服務聯絡方式：  
台灣國際商業機器股份有限公司  
台北市松仁路7號3樓  
電話：0800-016-888

IBM Taiwan product service contact information:

IBM Taiwan Corporation  
3F, No 7, Song Ren Rd.  
Taipei, Taiwan  
Telephone: 0800-016-888



---

## Appendix B. Notices

Lenovo may not offer the products, services, or features discussed in this document in all countries. Consult your local Lenovo representative for information on the products and services currently available in your area.

Any reference to a Lenovo product, program, or service is not intended to state or imply that only that Lenovo product, program, or service may be used. Any functionally equivalent product, program, or service that does not infringe any Lenovo intellectual property right may be used instead. However, it is the user's responsibility to evaluate and verify the operation of any other product, program, or service.

Lenovo may have patents or pending patent applications covering subject matter described in this document. The furnishing of this document does not give you any license to these patents. You can send license inquiries, in writing, to:

*Lenovo (United States), Inc.  
1009 Think Place - Building One  
Morrisville, NC 27560  
U.S.A.  
Attention: Lenovo Director of Licensing*

LENOVO PROVIDES THIS PUBLICATION "AS IS" WITHOUT WARRANTY OF ANY KIND, EITHER EXPRESS OR IMPLIED, INCLUDING, BUT NOT LIMITED TO, THE IMPLIED WARRANTIES OF NON-INFRINGEMENT, MERCHANTABILITY OR FITNESS FOR A PARTICULAR PURPOSE. Some jurisdictions do not allow disclaimer of express or implied warranties in certain transactions, therefore, this statement may not apply to you.

This information could include technical inaccuracies or typographical errors. Changes are periodically made to the information herein; these changes will be incorporated in new editions of the publication. Lenovo may make improvements and/or changes in the product(s) and/or the program(s) described in this publication at any time without notice.

The products described in this document are not intended for use in implantation or other life support applications where malfunction may result in injury or death to persons. The information contained in this document does not affect or change Lenovo product specifications or warranties. Nothing in this document shall operate as an express or implied license or indemnity under the intellectual property rights of Lenovo or third parties. All information contained in this document was obtained in specific environments and is presented as an illustration. The result obtained in other operating environments may vary.

Lenovo may use or distribute any of the information you supply in any way it believes appropriate without incurring any obligation to you.

Any references in this publication to non-Lenovo Web sites are provided for convenience only and do not in any manner serve as an endorsement of those Web sites. The materials at those Web sites are not part of the materials for this Lenovo product, and use of those Web sites is at your own risk.

Any performance data contained herein was determined in a controlled environment. Therefore, the result obtained in other operating environments may vary significantly. Some measurements may have been made on development-level systems and there is no guarantee that these measurements will be the same on generally available systems. Furthermore, some measurements may have been estimated through extrapolation. Actual results may vary. Users of this document should verify the applicable data for their specific environment.

---

## Trademarks

LENOVO, FLEX SYSTEM, SYSTEM X, NEXTSCALE SYSTEM, and X ARCHITECTURE are trademarks of Lenovo. Intel and Intel Xeon are trademarks of Intel Corporation in the United States, other countries, or both. Internet Explorer, Microsoft, and Windows are trademarks of the Microsoft group of companies. Linux is a registered trademark of Linus Torvalds. All other trademarks are the property of their respective owners. © 2018 Lenovo.

---

## Important notes

Processor speed indicates the internal clock speed of the microprocessor; other factors also affect application performance.

CD or DVD drive speed is the variable read rate. Actual speeds vary and are often less than the possible maximum.

When referring to processor storage, real and virtual storage, or channel volume, KB stands for 1 024 bytes, MB stands for 1 048 576 bytes, and GB stands for 1 073 741 824 bytes.

When referring to hard disk drive capacity or communications volume, MB stands for 1 000 000 bytes, and GB stands for 1 000 000 000 bytes. Total user-accessible capacity can vary depending on operating environments.

Maximum internal hard disk drive capacities assume the replacement of any standard hard disk drives and population of all hard-disk-drive bays with the largest currently supported drives that are available from Lenovo.

Maximum memory might require replacement of the standard memory with an optional memory module.

Each solid-state memory cell has an intrinsic, finite number of write cycles that the cell can incur. Therefore, a solid-state device has a maximum number of write cycles that it can be subjected to, expressed as total bytes written (TBW). A device that has exceeded this limit might fail to respond to system-generated commands or might be incapable of being written to. Lenovo is not responsible for replacement of a device that has exceeded its maximum guaranteed number of program/erase cycles, as documented in the Official Published Specifications for the device.

Lenovo makes no representations or warranties with respect to non-Lenovo products. Support (if any) for the non-Lenovo products is provided by the third party, not Lenovo.

Some software might differ from its retail version (if available) and might not include user manuals or all program functionality.

---

## Particulate contamination

**Attention:** Airborne particulates (including metal flakes or particles) and reactive gases acting alone or in combination with other environmental factors such as humidity or temperature might pose a risk to the device that is described in this document.

Risks that are posed by the presence of excessive particulate levels or concentrations of harmful gases include damage that might cause the device to malfunction or cease functioning altogether. This specification sets forth limits for particulates and gases that are intended to avoid such damage. The limits must not be viewed or used as definitive limits, because numerous other factors, such as temperature or moisture content of the air, can influence the impact of particulates or environmental corrosives and gaseous

contaminant transfer. In the absence of specific limits that are set forth in this document, you must implement practices that maintain particulate and gas levels that are consistent with the protection of human health and safety. If Lenovo determines that the levels of particulates or gases in your environment have caused damage to the device, Lenovo may condition provision of repair or replacement of devices or parts on implementation of appropriate remedial measures to mitigate such environmental contamination. Implementation of such remedial measures is a customer responsibility.

Table 4. Limits for particulates and gases

Contaminant	Limits
Particulate	<ul style="list-style-type: none"> <li>The room air must be continuously filtered with 40% atmospheric dust spot efficiency (MERV 9) according to ASHRAE Standard 52.2<sup>1</sup>.</li> <li>Air that enters a data center must be filtered to 99.97% efficiency or greater, using high-efficiency particulate air (HEPA) filters that meet MIL-STD-282.</li> <li>The deliquescent relative humidity of the particulate contamination must be more than 60%<sup>2</sup>.</li> <li>The room must be free of conductive contamination such as zinc whiskers.</li> </ul>
Gaseous	<ul style="list-style-type: none"> <li>Copper: Class G1 as per ANSI/ISA 71.04-1985<sup>3</sup></li> <li>Silver: Corrosion rate of less than 300 Å in 30 days</li> </ul>
<p><sup>1</sup> ASHRAE 52.2-2008 - <i>Method of Testing General Ventilation Air-Cleaning Devices for Removal Efficiency by Particle Size</i>. Atlanta: American Society of Heating, Refrigerating and Air-Conditioning Engineers, Inc.</p> <p><sup>2</sup> The deliquescent relative humidity of particulate contamination is the relative humidity at which the dust absorbs enough water to become wet and promote ionic conduction.</p> <p><sup>3</sup> ANSI/ISA-71.04-1985. <i>Environmental conditions for process measurement and control systems: Airborne contaminants</i>. Instrument Society of America, Research Triangle Park, North Carolina, U.S.A.</p>	

## Telecommunication regulatory statement

This product may not be certified in your country for connection by any means whatsoever to interfaces of public telecommunications networks. Further certification may be required by law prior to making any such connection. Contact a Lenovo representative or reseller for any questions.

## Electronic emission notices

When you attach a monitor to the equipment, you must use the designated monitor cable and any interference suppression devices that are supplied with the monitor.

## Federal Communications Commission (FCC) statement

**Note:** This equipment has been tested and found to comply with the limits for a Class A digital device, pursuant to Part 15 of the FCC Rules. These limits are designed to provide reasonable protection against harmful interference when the equipment is operated in a commercial environment. This equipment generates, uses, and can radiate radio frequency energy and, if not installed and used in accordance with the instruction manual, may cause harmful interference to radio communications. Operation of this equipment in a residential area is likely to cause harmful interference, in which case the user will be required to correct the interference at his own expense.

Properly shielded and grounded cables and connectors must be used in order to meet FCC emission limits. Lenovo is not responsible for any radio or television interference caused by using other than recommended cables and connectors or by unauthorized changes or modifications to this equipment. Unauthorized changes or modifications could void the user's authority to operate the equipment.

This device complies with Part 15 of the FCC Rules. Operation is subject to the following two conditions: (1) this device may not cause harmful interference, and (2) this device must accept any interference received, including interference that might cause undesired operation.

## **Industry Canada Class A emission compliance statement**

This Class A digital apparatus complies with Canadian ICES-003.

## **Avis de conformité à la réglementation d'Industrie Canada**

Cet appareil numérique de la classe A est conforme à la norme NMB-003 du Canada.

## **Australia and New Zealand Class A statement**

**Attention:** This is a Class A product. In a domestic environment this product may cause radio interference in which case the user may be required to take adequate measures.

## **European Union EMC Directive conformance statement**

This product is in conformity with the protection requirements of EU Council Directive 2004/108/EC on the approximation of the laws of the Member States relating to electromagnetic compatibility. Lenovo cannot accept responsibility for any failure to satisfy the protection requirements resulting from a non-recommended modification of the product, including the installation of option cards from other manufacturers.

This product has been tested and found to comply with the limits for Class A Information Technology Equipment according to European Standard EN 55022. The limits for Class A equipment were derived for commercial and industrial environments to provide reasonable protection against interference with licensed communication equipment.

Lenovo, Einsteinova 21, 851 01 Bratislava, Slovakia

## **Germany Class A statement**

**Deutschsprachiger EU Hinweis: Hinweis für Geräte der Klasse A EU-Richtlinie zur Elektromagnetischen Verträglichkeit**

**Deutschsprachiger EU Hinweis:**

**Hinweis für Geräte der Klasse A EU-Richtlinie zur Elektromagnetischen Verträglichkeit**

Dieses Produkt entspricht den Schutzanforderungen der EU-Richtlinie 2004/108/EG (früher 89/336/EWG) zur Angleichung der Rechtsvorschriften über die elektromagnetische Verträglichkeit in den EU-Mitgliedsstaaten und hält die Grenzwerte der EN 55022 Klasse A ein.

Um dieses sicherzustellen, sind die Geräte wie in den Handbüchern beschrieben zu installieren und zu betreiben. Des Weiteren dürfen auch nur von der Lenovo empfohlene Kabel angeschlossen werden. Lenovo übernimmt keine Verantwortung für die Einhaltung der Schutzanforderungen, wenn das Produkt ohne Zustimmung der Lenovo verändert bzw. wenn Erweiterungskomponenten von Fremdherstellern ohne Empfehlung der Lenovo gesteckt/eingebaut werden.

**Deutschland:**

**Einhaltung des Gesetzes über die elektromagnetische Verträglichkeit von Betriebsmitteln** Dieses Produkt entspricht dem "Gesetz über die elektromagnetische Verträglichkeit von Betriebsmitteln" EMVG (früher "Gesetz über die elektromagnetische Verträglichkeit von Geräten"). Dies ist die Umsetzung der EU-Richtlinie 2004/108/EG (früher 89/336/EWG) in der Bundesrepublik Deutschland.



**Zulassungsbescheinigung laut dem Deutschen Gesetz über die elektromagnetische Verträglichkeit von Betriebsmitteln, EMVG vom 20. Juli 2007 (früher Gesetz über die elektromagnetische Verträglichkeit von Geräten), bzw. der EMV EG Richtlinie 2004/108/EC (früher 89/336/EWG), für Geräte der Klasse A.**

Dieses Gerät ist berechtigt, in Übereinstimmung mit dem Deutschen EMVG das EG-Konformitätszeichen - CE - zu führen. Verantwortlich für die Konformitätserklärung nach Paragraph 5 des EMVG ist die Lenovo (Deutschland) GmbH, Gropiusplatz 10, D-70563 Stuttgart.

Informationen in Hinsicht EMVG Paragraph 4 Abs. (1) 4: **Das Gerät erfüllt die Schutzanforderungen nach EN 55024 und EN 55022 Klasse A.**

Nach der EN 55022: "Dies ist eine Einrichtung der Klasse A. Diese Einrichtung kann im Wohnbereich Funkstörungen verursachen; in diesem Fall kann vom Betreiber verlangt werden, angemessene Maßnahmen durchzuführen und dafür aufzukommen."

Nach dem EMVG: "Geräte dürfen an Orten, für die sie nicht ausreichend entstört sind, nur mit besonderer Genehmigung des Bundesministers für Post und Telekommunikation oder des Bundesamtes für Post und Telekommunikation betrieben werden. Die Genehmigung wird erteilt, wenn keine elektromagnetischen Störungen zu erwarten sind." (Auszug aus dem EMVG, Paragraph 3, Abs. 4). Dieses Genehmigungsverfahren ist nach Paragraph 9 EMVG in Verbindung mit der entsprechenden Kostenverordnung (Amtsblatt 14/93) kostenpflichtig.

Anmerkung: Um die Einhaltung des EMVG sicherzustellen sind die Geräte, wie in den Handbüchern angegeben, zu installieren und zu betreiben.

## Japan VCCI Class A statement

この装置は、クラス A 情報技術装置です。この装置を家庭環境で使用すると電波妨害を引き起こすことがあります。この場合には使用者が適切な対策を講ずるよう要求されることがあります。 VCCI-A

This is a Class A product based on the standard of the Voluntary Control Council for Interference (VCCI). If this equipment is used in a domestic environment, radio interference may occur, in which case the user may be required to take corrective actions.

## Japan Electronics and Information Technology Industries Association (JEITA) statement

高調波ガイドライン準用品

Japanese Electronics and Information Technology Industries Association (JEITA) Confirmed Harmonics Guideline with Modifications (products greater than 20 A per phase)

## Korea Communications Commission (KCC) statement

이 기기는 업무용(A급)으로 전자파적합기기로  
서 판매자 또는 사용자는 이 점을 주의하시기  
바라며, 가정외의 지역에서 사용하는 것을 목  
적으로 합니다.

This is electromagnetic wave compatibility equipment for business (Type A). Sellers and users need to pay attention to it. This is for any areas other than home.

### **Russia Electromagnetic Interference (EMI) Class A statement**

ВНИМАНИЕ! Настоящее изделие относится к классу А.  
В жилых помещениях оно может создавать радиопомехи, для  
снижения которых необходимы дополнительные меры

### **People's Republic of China Class A electronic emission statement**

中华人民共和国“A类”警告声明

<p>声明</p> <p>此为A级产品，在生活环境中，该产品可能会造成无线电干扰。在这种情况下，可能需要用户对其干扰采取切实可行的措施。</p>
--

### **Taiwan Class A compliance statement**

<p>警告使用者： 這是甲類的資訊產品，在 居住的環境中使用時，可 能會造成射頻干擾，在這 種情況下，使用者會被要 求採取某些適當的對策。</p>
---

---

# Index

6U upper side cover, removing and installing 6

## A

assistance, getting 21  
attaching racks in a suite 10  
attention notices 2  
Australia Class A statement 28

## B

bracket, stabilizer 4

## C

cable-access opening 14  
cables, routing 13  
Canada Class A electronic emission statement 28  
caution statements 2  
China Class A electronic emission statement 30  
Class A electronic emission notice 27  
clip nuts, installing 12  
contamination, particulate and gaseous 26  
creating a personalized support web page 22  
CRU part numbers 19  
custom support web page 22

## D

danger statements 2  
devices, installing 12  
documentation  
  using 22  
documentation CD 1  
DSA, sending data 22

## E

electronic emission Class A notice 27  
enterprise primary and expansion racks  
  CRU part numbers 19  
European Union EMC Directive conformance statement 28

## F

FCC Class A notice 27  
feet, lowering 4  
front door, removing and installing 7  
front stabilizer bracket, installing 4  
FRU part numbers 19

## G

gaseous contamination 26  
Germany Class A statement 28

## H

help  
  from the World Wide Web 22  
  from World Wide Web 22  
  sending diagnostic data 22  
help, sources of 21

## I

important notes 26  
important notices 2  
information center 22  
installing  
  clip nuts 12  
  front door 7  
  front stabilizer bracket 4  
  lower side cover 5  
  optional devices 12  
  rear door 9  
  upper 6U side cover 6  
installing rack, tasks overview 1  
installing, removing, 6U portion 10

## J

Japan Electronics and Information Technology Industries  
  Association statement 29  
JEITA statement 29

## K

Korea Class A electronic emission statement 29

## L

leveling feet, lowering 4

## M

managing cables 13  
moving a rack 15

## N

New Zealand Class A statement 28  
notes 2  
notes, important 26  
notices 25  
  electronic emission 27  
  FCC, Class A 27  
notices and statements 2

## O

optional devices, installing 12

## P

particulate contamination 26  
parts listing 19  
People's Republic of China Class A electronic emission statement 30  
product service, Taiwan 23

## R

rack  
  installation tasks overview 1  
  moving 15  
  size and weight specifications 3  
rear door, removing and installing 9  
relocating a rack 15  
removing  
  front door 7  
  lower side cover 5  
  rear door 9  
  upper 6U side cover 6  
removing and installing the upper 6U portion 10  
routing cables 13–14  
Russia Class A electronic emission statement 30

## S

sending diagnostic data 22  
service and support  
  software 23

service and support, before you call 21  
side cover, removing and installing  
  lower 5  
  upper 6  
size and weight specifications of rack 3  
software service and support telephone numbers 23  
stabilizer bracket, installing 4  
statements and notices 2  
suite of racks, attaching 10  
support web page, custom 22

## T

Taiwan Class A electronic emission statement 30  
Taiwan product service 23  
telecommunication regulatory statement 27  
telephone numbers 23  
trademarks 26

## U

United States electronic emission Class A notice 27  
United States FCC Class A notice 27  
upper 6U side cover, removing and installing 6

## W

weight and size specifications of rack 3





Part Number: 00WA355

Printed in China

(1P) P/N: 00WA355

