

USB Conversion Option

Quick Installation Guide



About the USB Conversion Option (UCO) cable

The UCO cable is one part of the Advanced Connectivity Technology system, designed to reduce cable bulk.

The UCO cable converts keyboard, monitor, and mouse signals from a server through a single Cat5 cable, up to 10 meters (32.8 feet), to a switch.

The UCO cable draws its power from the server or switch and has Keep Alive functionality, preventing server lock-up even if the switch is not powered up or the connection is interrupted.

1 Turning off the servers

Turn off the servers that you want to connect to the switch through a UCO cable.

2 Connecting a UCO cable to the switch

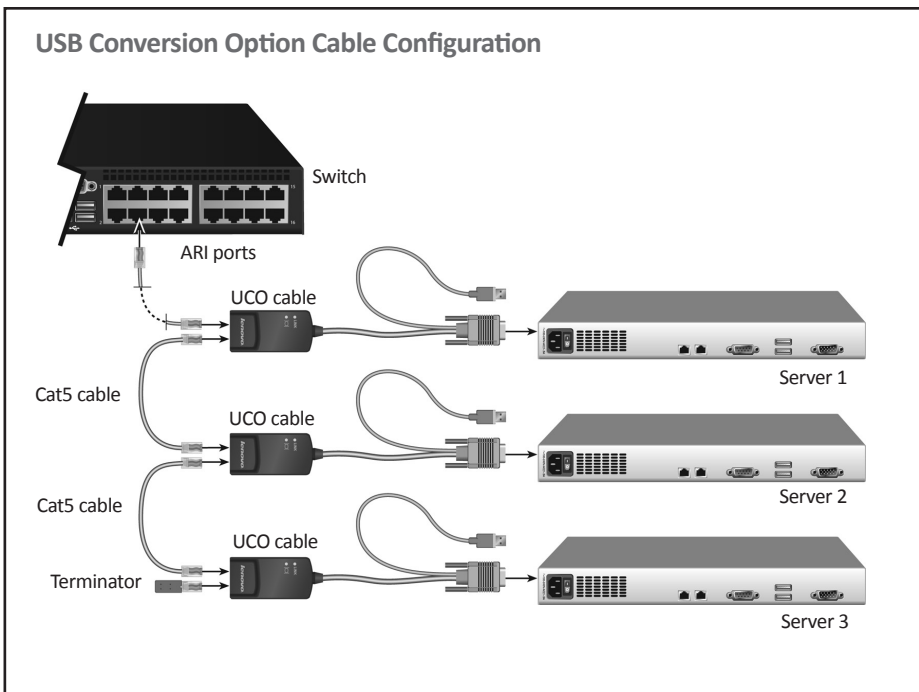
Connect one end of a Cat5 cable into an ARI port on the rear of the switch. Connect the other end into a RJ-45 connector on the UCO cable.

3 Connecting a UCO cable to a server (single or chained)

Connect the monitor, keyboard, and mouse connectors on the UCO cable into the corresponding ports on the rear of a server.

You can chain up to 16 servers on each ARI port by connecting a UCO cable to each server and connecting Cat5 cables between the UCO cables.

Repeat steps 1 through 3 for all servers that are to be connected or daisy chained to the switch. Attach a terminator to the second RJ-45 connector on a single UCO cable or on the last UCO cable in a chain.



4 Turning on the switching system

The UCO cable is powered by the server. For best results, turn on the servers first, then turn on the switch.

For more information

For more information, see the *Installation and User's Guide* that comes with the switch. See <http://www.ibm.com/support/> for the latest software and firmware updates.

Safety, EMC and Environmental Approvals and Markings

For use with Listed Information Technology Equipment (I.T.E.).

Korean Notification

기종명	사용자 안내문
A급 기기 (업무용 정보통신기기)	이 기기는 업무용으로 전자파적합등록을 한 기기이오니 판매자 또는 사용자는 이 점을 주의하시기 바라며 만약 잘못 판매 구입 하였을 때에는 가정용으로 교환하시기 바랍니다.



E-E900-02-3001(A)
AVOCENT CORPORATION
RIP/CMN:1005