

Local Console Manager

Quick Installation Guide



NOTE: Before installing this product, turn off all servers that will be part of your switching system.

1 Connecting the local port

Connect your VGA, SVGA, SGA, or SXGA monitor, USB keyboard and mouse cables into the appropriately labeled LCM switch ports.

2 Connecting a Conversion Option cable to the switch

Connect one end of a CAT 5 cable (4-pair, up to 150 ft/45 m) into an available numbered port on the rear of your switch. Connect the other end into the RJ-45 connector of the Conversion Option cable.

3 Connecting a target server to a Conversion Option cable

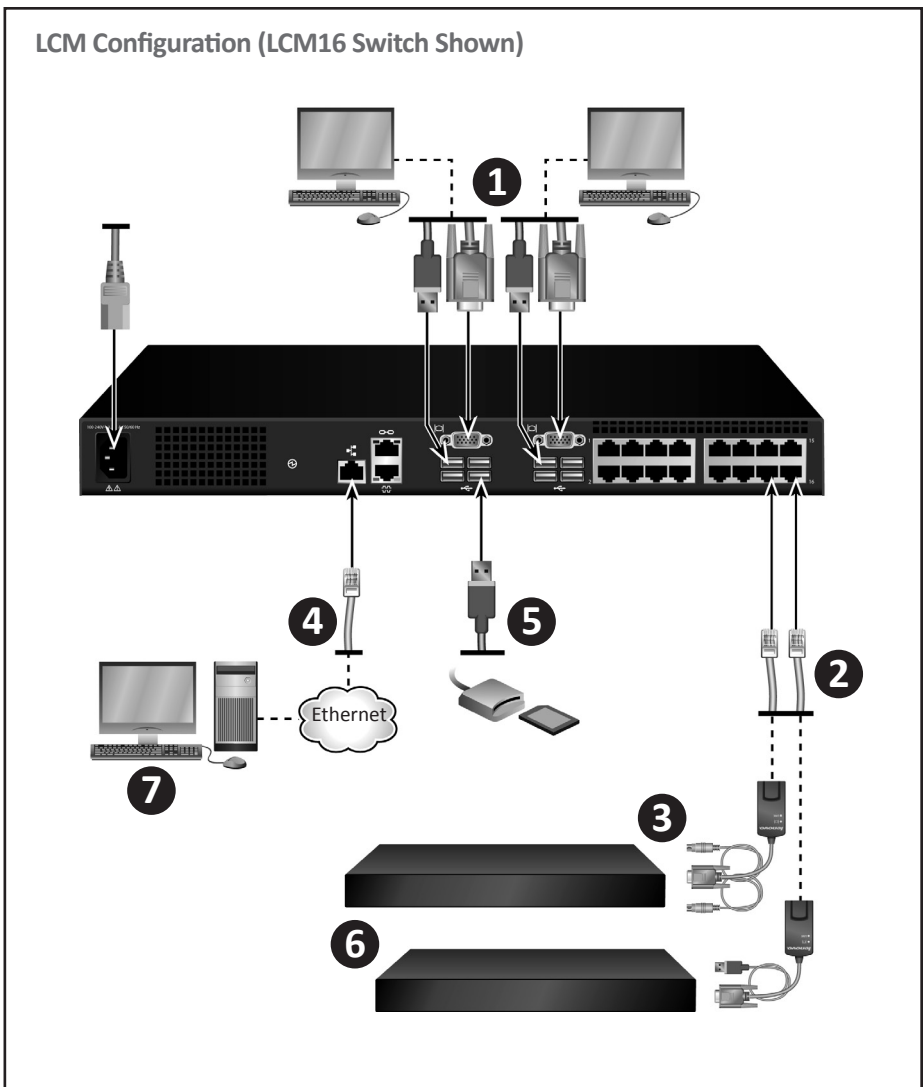
Connect a Conversion Option cable into the appropriate port on the back of a target server. Repeat steps 2 and 3 for all target servers you want to connect.

4 Connecting local area network users

Connect a CAT 5 cable from your Ethernet network into the LAN connector on the rear of the switch.

5 Connecting local virtual media or smart cards (optional)

Connect virtual media or smart card readers to any of the USB ports on the switch. To open a virtual media session with a target server, the target server must first be connected to the switch using a virtual media capable VCO or Virtual Media Conversion Option G2 cable. To map a smart card with a target server, the target server must first be connected to the switch using a smart card capable Virtual Media Conversion Option G2 cable.



6 Turning on target servers and connecting power to the switch

Locate the power cord that came with the switch and connect the appropriate end into the power connector on the rear panel of the switch. Connect the other end into an appropriate AC wall outlet and then turn on each target server.

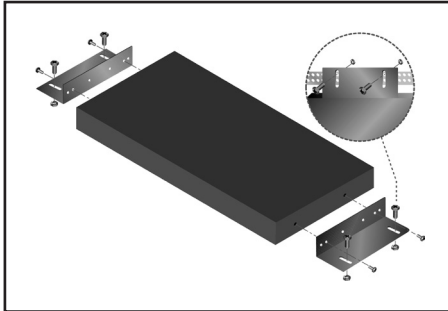
7 Accessing your switch remotely

To access the switch remotely, go to <http://192.168.1.1> and enter **Admin** in the Username field. No password is necessary.

NOTE: For important rack mounting safety information, see the safety sheet provided with this product.

Local Console Manager

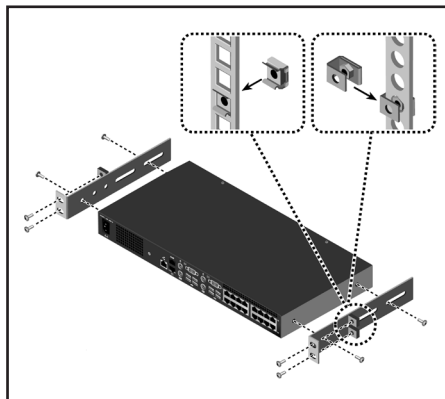
Quick Installation Guide



Installing the switch vertically in the side of a rack

1. Remove the screws from each side of the switch.
2. Line up the small holes of the L-shaped brackets with the screw holes in the switch.
3. With a Phillips screwdriver, fasten the mounting brackets to the switch using two #8 3/2-inch x 5/16-inch pan-head screws on each side.
4. Mount the switch assembly to the rack by matching the long slots on each bracket to a set of holes on the rack. Next, insert a combination hex-head screw through the slots in the bracket and the holes in the rack. Cap the screw with a hex serrated flange nut and tighten.

The mounting holes on the upper and lower side braces in a rack side compartment must be between 50.8-cm (20.0-in.) and 57.3-cm (22.6-in.) apart. If the rack has movable side braces, refer to the rack documentation for information about relocating side braces if they are not already spaced for this installation.



Installing the switch horizontally in the 1U rack mounting space

NOTE: If you install the switch horizontally in the 1U rack mounting space, you must install the filler panel in the front of the rack to prevent the recirculation of hot air from the rear of the rack to the front.

1. Remove the screws from each side of the switch.
2. Line up the small holes in the long side of each mounting bracket.
3. With a Phillips screwdriver, fasten the mounting brackets to the switch using two #8 3/2-inch x 5/16-inch pan-head screws on each side.
4. Attach four cage nuts or clip nuts to the rack mounting flange of the rack so that each nut is positioned on the inside of the rack.
5. Mount the switch assembly to the rack by matching the holes in the short side of each mounting bracket to a set of matching holes on the rack. Insert the combination hex-head screws through the slots in the mounting bracket and the holes in the mounting rail, then into the cage nuts or clip nuts.

For more information

Visit <http://www.ibm.com/support/> for the latest software and firmware updates and for further instructions on switch connection.