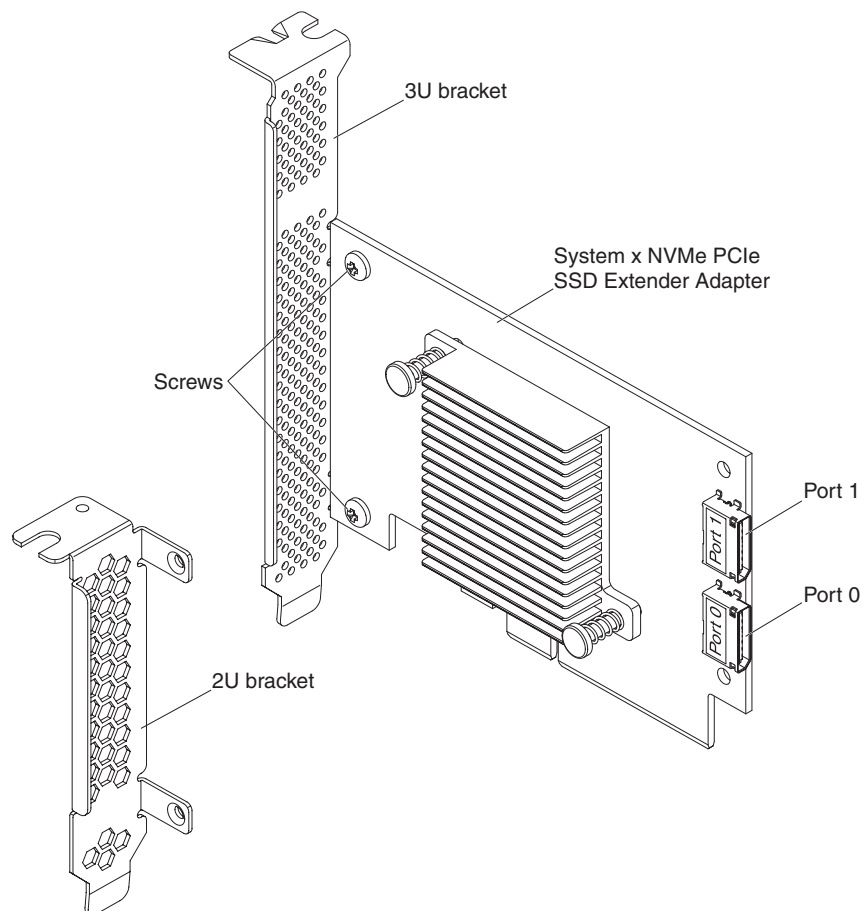




System x NVMe PCIe Gen3 Solid State Drive (SSD) Extender Adapter option kit

The Lenovo® System x Non-Volatile Memory express (NVMe) PCIe Gen3 Solid State Drive Extender Adapter option kit contains the following items. See your server documentation for detailed instructions on how to install this option in your server.

Note: The illustration in this document might differ slightly from your hardware.



- One System x NVMe PCIe Gen3 Solid State Drive Extender Adapter
- Two PCIe signal cables
- One 2U bracket
- Four single drive bay fillers
- One drive bay ID label
- This document

To install the 2U bracket, remove the two screws and remove the 3U bracket from the adapter. Install the 2U bracket on the adapter and secure the bracket with the screws. Save the 3U bracket for future use.

Lenovo maintains pages on the World Wide Web where you can get the latest technical information and download device drivers and updates. To access these pages, go to <http://www.ibm.com/supportportal/> and follow the instructions.

First Edition, May 2015.

© Copyright Lenovo 2015

Lenovo, the Lenovo logo, and System x are trademarks of Lenovo in the United States, other countries, or both.

Printed in the USA

(1P) P/N: 00WA312

