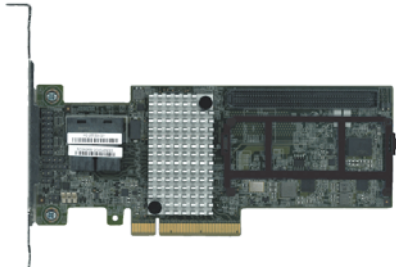


Quick Installation Guide



ServeRAID M5210 SAS/SATA Controller for IBM System X



Thank you for purchasing the ServeRAID M5210 SAS/SATA Controller for IBM System X. Please take a few minutes to read this quick installation guide before you install the controller.

For more information about any topic covered in this guide, refer to the ServeRAID M5210 SAS/SATA Controller for IBM System X User's Guide.

Statement 1:



DANGER

Electrical current from power, telephone, and communication cables is hazardous.

To avoid a shock hazard:

- Do not connect or disconnect any cables or perform installation, maintenance, or reconfiguration of this product during an electrical storm.
- Connect all power cords to a properly wired and grounded electrical outlet.
- Connect to properly wired outlets any equipment that will be attached to this product.
- When possible, use one hand only to connect or disconnect signal cables.
- Never turn on any equipment when there is evidence of fire, water, or structural damage.
- Disconnect the attached power cords, telecommunications systems, networks, and modems before you open the device covers, unless instructed otherwise in the installation and configuration procedures.
- Connect and disconnect cables as described in the following table when installing, moving, or opening covers on this product or attached devices.

To Connect:

1. Turn everything OFF.
2. First, attach all cables to devices.
3. Attach signal cables to connectors.
4. Attach power cords to outlet.
5. Turn device ON.

To Disconnect:

1. Turn everything OFF.
2. First, remove power cords from outlet.
3. Remove signal cables from connectors.
4. Remove all cables from devices.

To install the controller, follow these steps:

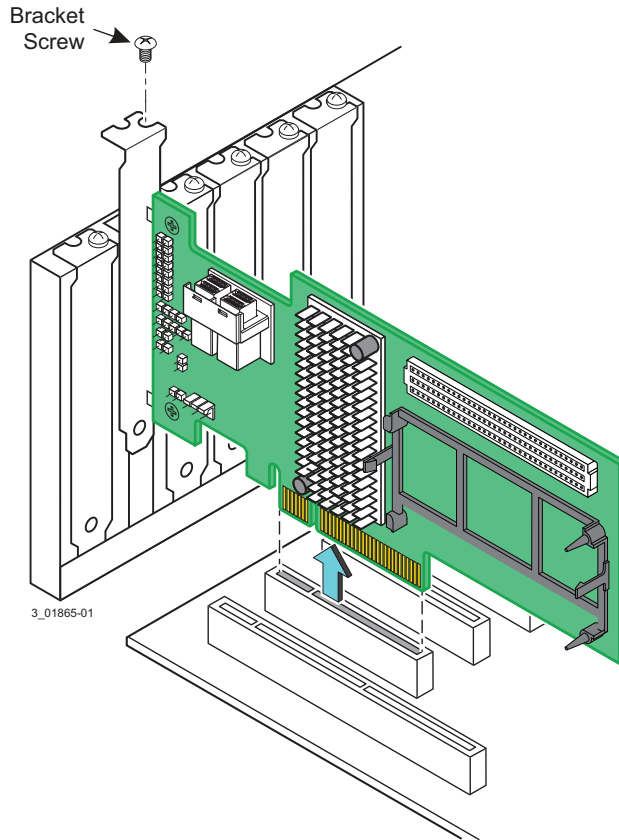
- 1. Unpack the controller, and inspect it for damage.** Unpack the controller in a static-free environment. Touch the static-protective package that contains the controller to any unpainted surface on the outside of the server; then, grasp the controller by the top edge or upper corners, remove it from the package, and inspect it for damage. Contact your IBM sales representative or IBM reseller if the controller appears to be damaged.



ATTENTION: Make a backup of your data before changing your system configuration to avoid the risk of data loss.

- 2. Prepare the server.** Review all safety information provided with the server; Turn off the server, and disconnect the power cord from the rear of the power supply. Do the same for any connected devices.
- 3. Remove the cover from the chassis.** Remove the cover from the chassis that covers the compartment where the controller will be inserted making sure to follow all technical information included with the server.

- 4. Insert the controller in an available PCIe slot.** Locate an empty x8 PCIe slot. Remove the expansion-slot cover for the selected PCIe slot. Save the bracket screw, if applicable. Align the controller with a PCIe slot. Press down gently, but firmly, to correctly seat the controller in the slot. The following figure shows how to insert the controller in a PCIe slot.



NOTE: The shape, size, and locations of components on your controller and its bracket might vary from this illustration. The controller requires an x8 PCIe slot.

- 5. Secure the controller bracket to the system chassis.** Install the bracket screw, if applicable, or engage the system retention mechanism to secure the controller to the system chassis.
- 6. Connect SAS cables between the controller and the SAS backplane or any other SATA or SAS devices (if applicable).** Connect serial cables between the controller and a drive backplane or any other SATA or SAS devices. The preceding figure shows the locations of the controller connectors. The controller uses two internal x4 mini-SAS HD (SFF-8643) connectors to connect to internal devices. If you use other cables, make sure that they conform to the controller specifications as described in the controller User's Guide." the ServeRAID M5210 SAS/SATA Controller for IBM System X User's Guide.
- 7. Replace the cover and any power cords, and power up the system.** Replace the chassis cover, reconnect any power cords, devices, and network cables. Turn on the power.

First Edition (October 2013)

IBM, the IBM logo, ibm.com, and System x are trademarks of International Business Machines Corp., registered in many jurisdictions worldwide.

Printed in USA

© Copyright IBM Corporation 2013.

US Government Users Restricted Rights – Use, duplication or disclosure restricted by GSA ADP Schedule Contract with IBM Corp.

IBM P/N:00D2438

TECHNICAL SUPPORT

For assistance installing, configuring, or using the controller, go to <http://www.ibm.com/supportportal/>

