

Lenovo ThinkSystem NE1072T RackSwitch

Installation Guide

For Lenovo Cloud Network Operating System

LenovoTM

Important Product Information:

Before using this information and the product it supports, read [Appendix B, “Notices”](#) of this manual. Also read the product *Warranty Information* document and the *Important Notices* document included with the product.

Third Edition (May 2019)

© Copyright Lenovo 2019
Portions © Copyright IBM Corporation 2014.

LIMITED AND RESTRICTED RIGHTS NOTICE: If data or software is delivered pursuant a General Services Administration “GSA” contract, use, reproduction, or disclosure is subject to restrictions set forth in Contract No. GS-35F-05925.

Lenovo and the Lenovo logo are trademarks of Lenovo in the United States, other countries, or both.

Contents

Safety Information	7
Safety Instructions	9
Safety Precautions.	9
Electrical Safety Precautions	9
Rack-mount Safety Precautions	10
Safety Statements	11
Other Important Safety Notices.	15
ThinkSystem NE1072T	17
Port Configuration	17
Orientation, Airflow, and Redundancy.	17
Management	17
Additional Features	17
NE1072T Documentation	18
Notices and Statements in this Document	18
Related Documentation	18
Typographic Conventions	20
Switch Components	21
Switch Unit	22
Management Panel	23
Mini-USB Serial Console Port.	23
RJ45 Management Port.	24
RJ45 Management LEDs	24
Reset Button	24
System Status LEDs	25
USB Port	25
Connecting to the Switch	26
Using the Serial Console Port	26
Using the Management Port	26
Switching Ports.	27
BASE-T RJ45 Ports	27
QSFP+ Ports	27
QSFP+ LEDs	27
Rear Panel	28
Fan Modules	28
Fan LEDs.	28
Power Supply	30
Power LEDs	32

Installing NE1072T Hardware and Options	33
Before Installing the NE1072T	34
Required Tools	35
Package Contents	35
Environmental Requirements	35
Preventing Electric Shock	36
Handling Static-Sensitive Devices	38
Cabling Guidelines	38
Installing the NE1072T in a Rack	39
Installing the NE1072T in a Standard Equipment Rack	39
Installing the NE1072T in a Lenovo System x or Power Rack	42
Installing the NE1072T in a Lenovo iDataPlex Rack	46
Installing the Air-Duct Option	49
Installing Port Connectors	53
BASE-T RJ45 Port Slots	53
QSFP+ Port Slots	53
Installing a Transceiver	54
Removing and Replacing Components	57
Removing Port Transceivers	58
Removing and Replacing a Power Supply Module	59
Removing the Power Supply Module	60
Replacing the Power Supply Module	61
Removing and Replacing a Fan Module	63
Removing the Fan Module	63
Replacing the Fan Module	64
Removing the NE1072T from a Standard Equipment Rack	65
Removing the NE1072T from a Lenovo System x or Power Rack	66
Removing the NE1072T from a Lenovo iDataPlex Rack	69
Removing the Air-Duct Option	71
Replacing the NE1072T	72
Preparing and Returning the NE1072T	72
Configuring Vital Product Data	72
Initializing the NE1072T	75
System Status LEDs	76
Logging Into the Switch	77
Changing the Default Network Administrator Password	78
Default Configuration Files	79
Configuring the Management Interface for Remote Access	80
Out-of-Band Management Interface Configuration	81
In-Band Management Interface Configuration	81
Updating Firmware	82
The Boot Management Menu	83
Boot Recovery Mode	84
Recover from a Failed Image Upgrade using TFTP	85
Recovering from a Failed Image Upgrade using XModem Download	87
Physical Presence	89

Troubleshooting	91
System LED Is Not Lit	92
Port Link LED Is Not Lit	93
Temperature Sensor Warning	94
Switch Does Not Initialize (Boot)	95
Getting Help and Technical Assistance	97
Notices	99
Trademarks	101
Important Notes	102
Open Source Information	103
Recycling Information	104
Particulate Contamination	105
Telecommunication Regulatory Statement	106
Electronic Emission Notices	107
Federal Communications Commission (FCC) Statement	107
Industry Canada Class A Emission Compliance Statement	107
Avis de Conformité à la Réglementation d'Industrie Canada	107
Australia and New Zealand Class A Statement	107
European Union - Compliance to the Electromagnetic Compatibility Directive	108
Germany Class A Statement	108
Japan VCCI Class A Statement	109
Japan Electronics and Information Technology Industries Association (JEITA) Statement	109
Korea Communications Commission (KCC) Statement	110
Russia Electromagnetic Interference (EMI) Class A statement	110
People's Republic of China Class A electronic emission statement	110
Taiwan Class A compliance statement	110
Taiwan BSMI RoHS declaration	111
Technical Specifications	113
Physical Characteristics	114
Environmental Specifications	115
Power Specifications	116
Switching Performance	117

Safety Information

Before installing this product, read the Safety Information.

قبل تركيب هذا المنتج، يجب قراءة الملاحظات الأمنية

Antes de instalar este produto, leia as Informações de Segurança.

在安装本产品之前，请仔细阅读 **Safety Information** (安全信息)。

安裝本產品之前，請先閱讀「安全資訊」。

Prije instalacije ovog produkta obavezno pročitajte Surgonosne Upute.

Před instalací tohoto produktu si přečtěte příručku bezpečnostních instrukcí.

Læs sikkerhedsforskrifterne, før du installerer dette produkt.

Lees voordat u dit product installeert eerst de veiligheidsvoorschriften.

Ennen kuin asennat tämän tuotteen, lue turvaohjeet kohdasta Safety Information.

Avant d'installer ce produit, lisez les consignes de sécurité.

Vor der Installation dieses Produkts die Sicherheitshinweise lesen.'

Πριν εγκαταστήσετε το προϊόν αυτό, διαβάστε τις Πληροφορίες ασφαλείας (safety information).

לפני שתתקינו מוצר זה, קראו את הוראות הבטיחות.

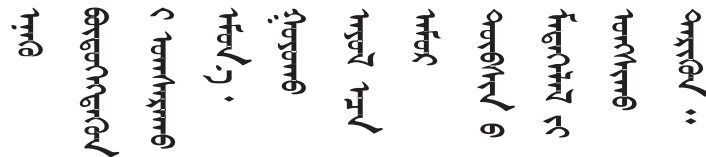
A termék telepítés előtt olvassa el a Biztonsági előírásokat!

Prima di installare questo prodotto, leggere le Informazioni sulla Sicurezza.

製品の設置の前に、安全情報をお読みください。

본 제품을 설치하기 전에 안전 정보를 읽으십시오.

Пред да инсталира овој продукт, прочитајте информацијата за безбедност.



Les sikkerhetsinformasjonen (Safety Information) før du installerer dette produktet.

Przed zainstalowaniem tego produktu, należy zapoznać się z książką "Informacje dotyczące bezpieczeństwa" (Safety Information).

Antes de instalar este produto, leia as Informações sobre Segurança.

Перед установкой продукта прочтите инструкции по технике безопасности.

Pred inštaláciou tohto zariadenia si prečítajte Bezpečnostné predpisy.

Pred namestitvijo tega proizvoda preberite Varnostne informacije.

Antes de instalar este producto, lea la información de seguridad.

Läs säkerhetsinformationen innan du installerar den här produkten.

ཐོན་ཁུངས་འདི་བདེ་སྤྱོད་མ་བྱས་གོང་། སྐྱོར་གྱི་ཡིད་གཟབ་
བྱ་འདྲ་མིན་ཡོད་པའི་འོད་སྟེར་བལྟ་དགོས།

Bu ürünü kurmadan önce güvenlik bilgilerini okuyun.

مەزكۇر مەھسۇلاتنى ئورنىتىشتىن بۇرۇن بىخەتەرلىك ئۇچۇرلىرىنى ئوقۇپ چىقىڭ.

Youq mwngz yungh canjbinj neix gaxgonq, itdingh aeu doeg aen canjbinj soengq
cungj vahgangj ancien suisik.

Safety Instructions

The following sections provide safety precautions to follow when installing the switch.

Safety Precautions

For your protection, observe the following safety precautions when setting up your equipment:

- Follow all cautions and instructions marked on the equipment.
- Only trained and qualified personnel are allowed to install or to replace this equipment.
- Never push objects of any kind through openings in the equipment. Dangerous voltages may be present. Conductive foreign objects could produce a short circuit that could cause fire, electric shock, or damage to your equipment.
- This product is intended for restricted access whereby access is controlled through the use of a means of security (for example, key, lock, tool, badge access) and personnel authorized for access have been instructed on the reasons for the restrictions and any precautions that need to be taken.
- Remove all metal jewelry, such as rings and watches, before installing or removing the device.
- Do not look directly at the fiber optic cable ends or inspect the cable ends with an optical lens.
- Do not install in direct sunlight, or a damp or dusty place.
- Do not expose the device to moisture or water.
- Disconnect all power supply cords before servicing.

Electrical Safety Precautions

For your protection, observe the following electrical safety precautions when setting up your equipment:

- Ensure that the voltage and frequency of your power source match the voltage and frequency inscribed on the equipment's electrical rating label.
- This switch is designed to work with power systems having a grounded neutral. To reduce the risk of electric shock, do not plug the switch into any other type of power system. Contact your facilities manager or a qualified electrician if you are not sure what type of power is supplied to your building.
- Not all power cords have the same current ratings. Do not use the power cord provided with your equipment for any other products or use. Household extension cords do not have overload protection and are not meant for use with these switches. Do not use household extension cords with this product.
- To prevent electric shock, do not remove the cover of this product. There are no user-serviceable parts inside. This unit contains hazardous voltages and should only be opened by a trained and qualified technician.
- Do not work on equipment or cables during periods of lightning activity.

- Check to see if there are any exposed copper strands coming from the installed wire. When this installation is done correctly there should be no exposed copper wire strands extending from the terminal block. Any exposed wiring can conduct harmful levels of electricity to persons touching the wires.
- The power source for the device should be located near the unit and should be easily accessible.
- Circuit Overloading: Consideration should be given to the connection of the equipment to the supply circuit and the effect that overloading of circuits might have on overcurrent protection and supply wiring. Appropriate consideration of equipment nameplate ratings should be used when addressing this concern.

Rack-mount Safety Precautions

For your protection, observe the following rack-mount safety precautions when setting up your equipment:

- Elevated Operating Ambient - If installed in a closed or multi-unit rack assembly, the operating ambient temperature of the rack environment may be greater than room ambient. Therefore, consideration should be given to installing the equipment in an environment compatible with the maximum ambient temperature (T_{ma}) specified by the manufacturer.
- Reduced Air Flow - Installation of the equipment in a rack should be such that the amount of air flow required for safe operation of the equipment is not compromised.
- Mechanical Loading - Mounting of the equipment in the rack should be such that a hazardous condition is not achieved due to uneven mechanical loading.
- Circuit Overloading - Consideration should be given to the connection of the equipment to the supply circuit and the effect that overloading of the circuits might have on overcurrent protection and supply wiring.
- Appropriate consideration of equipment nameplate ratings should be used when addressing this concern.
- Reliable Earthing of rack-mounted equipment should be maintained. Particular attention should be given to supply connections other than direct connections to the branch circuit (for example, use of power strips).
- For safety, equipment should always be loaded from the bottom up. That is, install the equipment that will be mounted in the lowest part of the rack first, then the next higher systems, etc.
- To prevent the rack from tipping during equipment installation, the anti-tilt bar on the rack must be deployed.
- The mounting brackets provided must be used to mount the device securely in a rack-mount unit.

Safety Statements

Important

Each caution and danger statement in this document is labeled with a number. This number is used to cross reference the English-language caution or danger statement with the translated versions of the caution or danger statement in the *Safety Information* document.

For example, if a caution statement is labeled "Statement 1," translations for that caution statement are in the *Safety Information* document under "Statement 1."

Be sure to read all caution and danger statements in this document before you perform the procedures. Read any additional safety information that comes with the system or optional device before you install the device.

Following is a compilation of the statements found throughout this manual.

Statement 3



CAUTION:

When laser products (such as CD-ROMs, DVD drives, fiber optic devices, or transmitters) are installed, note the following:

- Do not remove the covers. Removing the covers of the laser product could result in exposure to hazardous laser radiation. There are no serviceable parts inside the device.
- Use of controls or adjustments or performance of procedures other than those specified herein might result in hazardous radiation exposure.



DANGER

Some laser products contain an embedded Class 3A or Class 3B laser diode. Note the following.

Laser radiation when open. Do not stare into the beam, do not view directly with optical instruments, and avoid direct exposure to the beam.



Class 1 Laser Product

Laser Klasse 1

Laser Klass 1

Luokan 1 Laserlaite

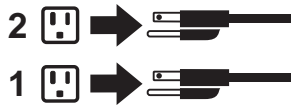
Appareil À Laser de Classe 1

Statement 5



CAUTION:

The power control button on the device and the power switch on the power supply do not turn off the electrical current supplied to the device. The device also might have more than one power cord. To remove all electrical current from the device, ensure that all power cords are disconnected from the power source.



Statement 8



CAUTION:

Never remove the cover on a power supply or any part that has the following label attached.



Hazardous voltage, current, and energy levels are present inside any component that has this label attached. There are no serviceable parts inside these components. If you suspect a problem with one of these parts, contact a service technician.

Statement 13



DANGER:

Overloading a branch circuit is potentially a fire hazard and a shock hazard under certain conditions. To avoid these hazards, ensure that your system electrical requirements do not exceed branch circuit protection requirements. Refer to the information that is provided with your device for electrical specifications.

Statement 25



CAUTION:

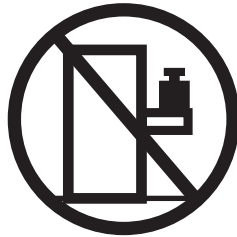
This product contains a Class 1M laser. Do not view directly with optical instruments.

Statement 26



CAUTION:

Do not place any object on top of rack-mounted devices.



Statement 31



DANGER

Electrical current from power, telephone, and communication cables is hazardous.

To avoid a shock hazard:

- Do not connect or disconnect any cables or perform installation, maintenance, or reconfiguration of this product during an electrical storm.
- Connect all power cords to a properly wired and grounded power source.
- Connect to properly wired power sources any equipment that will be attached to this product.
- When possible, use one hand only to connect or disconnect signal cables.
- Never turn on any equipment when there is evidence of fire, water, or structural damage.
- Disconnect the attached ac power cords, dc power sources, network connections, telecommunications systems, and serial cables before you open the device covers, unless instructed otherwise in the installation and configuration procedures.
- Connect and disconnect cables as described in the following table when you install, move, or open covers on this product or attached devices.

<p>To Connect:</p> <ol style="list-style-type: none"> 1. Turn OFF all power sources and equipment that is to be attached to this product. 2. Attach signal cables to the product. 3. Attach power cords to the product. <ul style="list-style-type: none"> o For ac systems, use appliance inlets. o For dc systems, ensure correct polarity of -48 V dc connections: RTN is + and -48 V dc is -. Earth ground should use a two-hole lug for safety. 4. Attach signal cables to other devices. 5. Connect power cords to their sources. 6. Turn ON all the power sources. 	<p>To Disconnect:</p> <ol style="list-style-type: none"> 1. Turn OFF all power sources and equipment that is to be attached to this product. <ul style="list-style-type: none"> o For ac systems, remove all power cords from the chassis power receptacles or interrupt power at the ac power distribution unit. o For dc systems, disconnect dc power sources at the breaker panel or by turning off the power source. Then, remove the dc cables. 2. Remove the signal cables from the connectors. 3. Remove all cables from the devices.
--	--

Statement 37



DANGER

<p>When you populate a rack cabinet, adhere to the following guidelines:</p> <ul style="list-style-type: none"> ● Always lower the leveling pads on the rack cabinet. ● Always install the stabilizer brackets on the rack cabinet. ● Always install the heaviest devices in the bottom of the rack cabinet. ● Always install devices starting from the bottom of the rack cabinet. ● Do not extend multiple devices from the rack cabinet simultaneously, unless the rack-mounting instructions direction you to do so. Multiple devices extended into the service position can cause your rack cabinet to tip. ● If you are not using the Lenovo 9308 rack cabinet, securely anchor the rack cabinet to ensure its stability.
--

Other Important Safety Notices

This product is also designed for IT power distribution systems with phase-to-phase voltage of 230V.

This product is not intended for use in the direct field of view at visual display workplaces.

Maschinenlärminformations-Verordnung—3. GPSGV, der höchste Schalldruckpegel beträgt 70 dB (A) oder weniger.

Chapter 1. ThinkSystem NE1072T

This *Installation Guide* provides information about the Lenovo RackSwitch Lenovo ThinkSystem NE1072T RackSwitch (referred to as NE1072T throughout this document).

The NE1072T uses a wire-speed, non-blocking switching fabric that provides simultaneous wire-speed transport of multiple packets at low latency on all ports.

Port Configuration

The NE1072T contains the following ethernet ports:

- Forty-eight 1000/10G BASE-T RJ45 ports
- Six 40 Gigabit Ethernet (GbE) Quad Small Form Pluggable Plus (QSFP+) ports, each of which can optionally be used as four 10 GbE ports

Orientation, Airflow, and Redundancy

The NE1072T is 1U in height and can be mounted horizontally or vertically, depending on your application. Mounting options are available for a variety of rack systems.

For superior reliability, the NE1072T uses redundant, hot-swap power supply modules and five hot-swap fan modules. Module options are available for either front-to-rear airflow, or rear-to-front airflow.

Management

You can manage the switch through the local console port, or through a remote network connection, or SNMP-based network management software.

Additional Features

Other features supported on your switch depend on the specific firmware installed. For more information, see the *Application Guide* and *Command Reference* for your specific switch and its installed firmware.

NE1072T Documentation

This *Installation Guide* provides information and instructions for installing the NE1072T, updating the firmware, and solving problems. For other information about configuration and management of the switch, refer to the documents described in “[Related Documentation](#)” on page 18.

Notes:

- The illustrations in this document might differ slightly from your hardware.
- The console output described or referenced in this document might differ slightly from that displayed by your system. Output varies according to the type of Lenovo chassis and the firmware versions and options that are installed.

Notices and Statements in this Document

The following notices and statements are used in this document:

- **Note:** These notices provide important tips, guidance, or advice.
- **Important:** These notices provide information or advice that might help you avoid inconvenient or problem situations.
- **Attention:** These notices indicate potential damage to programs, devices, or data. An attention notice is placed just before the instruction or situation in which damage could occur.
- **Caution:** These statements indicate situations that can be potentially hazardous to you. A caution statement is placed just before the description of a potentially hazardous procedure step or situation.
- **Danger:** These statements indicate situations that can be potentially lethal or extremely hazardous to you. A danger statement is placed just before the description of a potentially lethal or extremely hazardous procedure step or situation.

Related Documentation

Additional or updated product documents may be available from the Lenovo website. Such documents may cover features not described in the original documentation that comes with the switch, or may include technical updates or corrections.

You can obtain up-to-date information on the Lenovo support website:

<https://support.lenovo.com/>

Note: Changes are made periodically to the Lenovo website. Procedures for locating firmware and documentation might vary slightly from what is described in this document.

For information about switch hardware and firmware features, specifications, and standards, including their configuration, see the *Application Guide* for your specific switch and its installed firmware.

For information about the switch, statistics, and individual configuration parameters, see the *Command Reference* guide for your specific switch and its installed firmware.

For a list of compatible switch components and options (such as rack-mounting kits, modules, cords, and cables), see the [Lenovo Networking Catalog](#).

Typographic Conventions

The following table describes the typographic styles used in this book.

Table 1. *Typographic Conventions*

Typeface or Symbol	Meaning	Example
ABC123	This type is used for names of commands, files, and directories used within the text. It also depicts on-screen computer output and prompts.	View the <code>readme.txt</code> file. NE1072T#
ABC123	This bold type appears in command examples. It shows text that must be typed in exactly as shown.	NE1072T# ping
<ABC123>	This italicized type appears in command examples as a parameter placeholder. Replace the indicated text with the appropriate real name or value when using the command. Do not type the brackets. This also shows book titles, special terms, or words to be emphasized.	To establish a Telnet session, enter: NE1072T# telnet <IP address> Read your <i>User's Guide</i> thoroughly.
{ }	Command items shown inside brackets are mandatory and cannot be excluded. Do not type the brackets.	NE1072T# copy {ftp sftp}
[]	Command items shown inside brackets are optional and can be used or excluded as the situation demands. Do not type the brackets.	NE1072T# configure [terminal]
	The vertical bar () is used in command examples to separate choices where multiple options exist. Select only one of the listed options. Do not type the vertical bar.	NE1072T# copy {ftp sftp}
AaBb123	This block type depicts menus, buttons, and other controls that appear in graphical interfaces.	Click the Save button.

Chapter 2. Switch Components

This chapter describes the NE1072T hardware components.

Switch Unit

The NE1072T is a 1U rack-mountable GbE switch. You can mount the switch in either the horizontal or vertical orientation.

The following illustrations show the features on the front and rear of the switch.

Figure 1. *ThinkSystem NE1072T front panel*

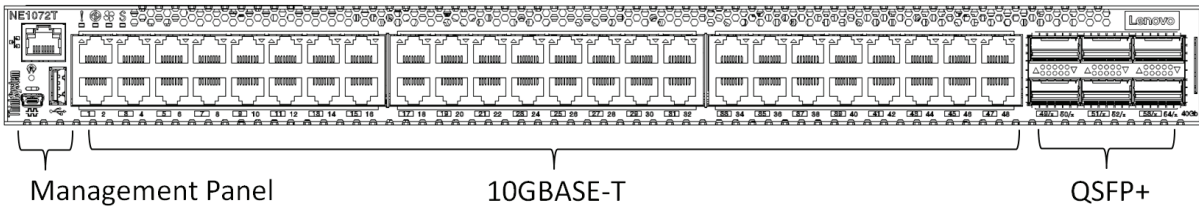


Figure 2. *ThinkSystem NE1072T management panel detail*

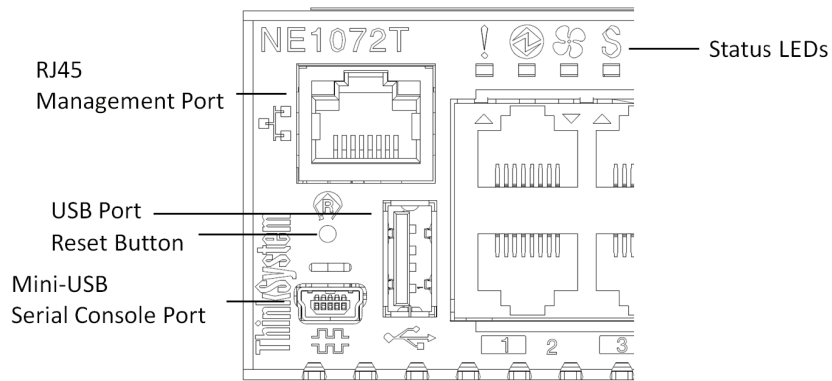
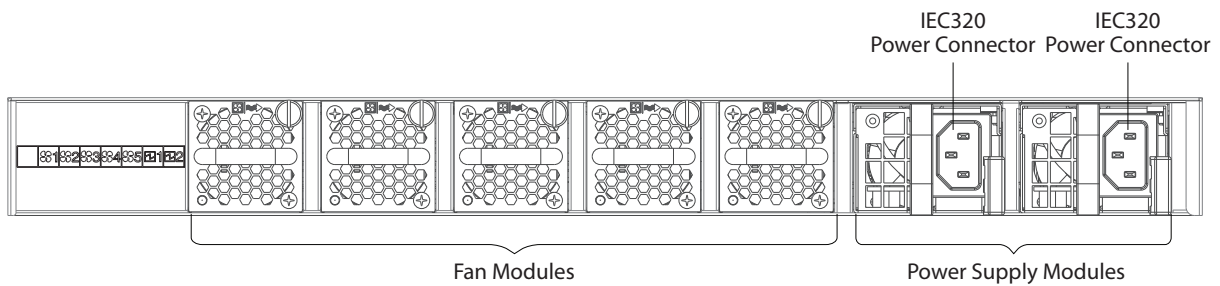


Figure 3. *ThinkSystem NE1072T rear panel*



Management Panel

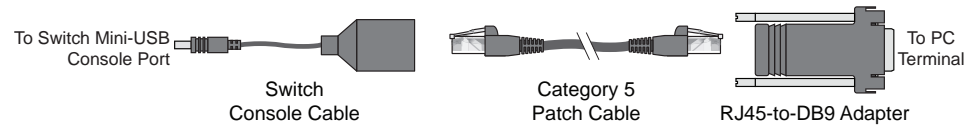
The following parts comprise the management panel.

Mini-USB Serial Console Port

The mini-USB serial console port on the front management panel is available for switch console management. The port operates using RS-232 serial communications. A compatible console cable kit is included with the switch.

To connect a computer or terminal to the switch using the included kit, first connect the console cable to the mini-USB serial console port on the front panel. Connect one end of the Category 5 patch cable to the RJ45 port on the console cable and the other end of the patch cable to the RJ45-to-DB9 adapter, which then connects to the computer or terminal (see the following illustration).

Figure 4. *Mini-USB console cable connections*



If using cables other than those from the included cable kit, ensure that they are compatible with the port pin assignments shown in the following tables.

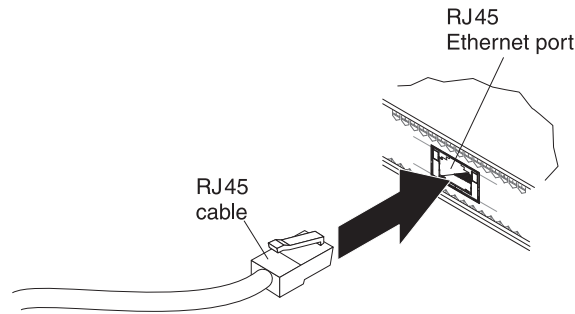
Table 2. *Switch mini-USB port connector pin assignments*

Pin Number	Function
1	No connect
2	SIN (RS-232 Input)
3	SOUT (RS-232 Output)
4	No connect
5	GND (Ground)

RJ45 Management Port

The RJ45 management port on the front panel supports 10/100/1000 Mbps BASE-T, in-line switch management.

To attach an RJ45 connector to the switch, push the RJ45 cable connector into the port connector until it clicks into place.

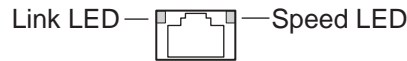


To disconnect the RJ45 cable, squeeze the release tab and gently pull the cable connector out of the switch connector.

RJ45 Management LEDs

The RJ45 management port LEDs are oriented as shown in the following figure.

Figure 5. *RJ45 management port LEDs*



Status LEDs for the RJ45 management port are described in the following table.

Table 3. *RJ45 status LEDs behavior*

LED	State	Functional Meaning
Link	Steady Green	Link up
	Flashing Green	Packet transmitting or receiving
	Off	Link down or port disabled
Speed	Steady Green	1000 Mbps connection
	Off	10 Mbps connection or no link

Reset Button

The Reset button is recessed within a hole on the front panel. Use a straightened paper clip or similar object to press the Reset button. The Reset button allows technicians to reset the switch as follows:

- Normal reset—press and release the Reset button. The switch starts a forced reload procedure without saving the current running configuration. This action is intended for when the switch is unresponsive and needs to be restarted to resume its normal functions.
- Factory reset—press and hold the Reset button for more than five seconds. The switch reloads and reverts all its configuration settings to the factory defaults.

System Status LEDs

The following table describes the behavior of the system status LEDs:

Table 4. *System status LEDs behavior*

LED	State	Functional Meaning
All	Off	Total power failure.
! - Service	Steady Blue	An operational command has been sent to light the LED so that this device can be more readily located.
	Flashing Blue	Service is required due to failure of the general system, its cooling fans, stacking function ¹ or its power supply. The specific failure is indicated in conjunction with the other system status LEDs.
Ⓢ - Power	Steady Green	Power supply is on and operational.
	Flashing Green	Power supply failure or disconnection. Service is required.
	Off	Power supply shutdown. Service is required.
Ⓜ - Fans	Steady Green	Fans are on and operational.
	Flashing Green	Fan failure. Service is required.
	Off	Fan shutdown. Service is required.
S - Stacking ¹	Steady Green	Device is a Master in a stack. ²
	Flashing Green	Device is the Backup/Member in a stack. ²
	Off	Device is not a stacking member.

Notes:

- Support for the stacking feature depends on the installed firmware. To determine whether your switch supports stacking, see the *Application Guide* for your specific switch and firmware version.
- If service required is due to a stacking error, this LED flashes or is steady green, depending on its last known good state.

USB Port

The USB port enables you to connect a USB drive to the switch. You can copy files from the switch to the USB drive, or from the USB drive to the switch. You can also start the switch using files on the USB drive.

The supported file system formats for USB drives are FAT32 and NTFS (read-only).

Note: When using a NTFS formatted USB drive, copying operations are limited to read-only. Files can be copied from the USB drive to the switch, but copying files to the NTFS formatted USB drive results in failure.

For more information about using the USB drive, see the *Lenovo ThinkSystem NE1072T RackSwitch Application Guide*.

Connecting to the Switch

Use the switch Command-Line Interface (CLI) to perform additional configuration tasks. You can access the CLI using the serial console port or management port.

Using the Serial Console Port

You can access the switch CLI through the serial console port on the front panel of the switch. This port uses RS-232 serial communications. Use the console cable kit to connect the serial console port to a terminal or a computer running a terminal emulation program.

The console port terminal-emulation requirements are as follows:

- Default baud rate = 9,600 bps
- Character size = 8 characters
- Parity = none
- Stop bits = 1
- Data bits = 8
- Flow control = none

Using the Management Port

If the switch is connected to a network that employs DHCP, you can also access the switch CLI through the RJ45 management port. This port uses Ethernet communications and can be accessed using Telnet or SNMP via the IP address provided by the network's DHCP server.

Switching Ports

The NE1072T contains the following switching ports:

- Forty-eight 1000/10G BASE-T RJ45 ports
- Six 40 GbE Quad Small Form Pluggable Plus (QSFP+) ports

The switching ports are described in the following sections. For information about ports on the management panel, see [“Management Panel” on page 23](#).

For details on the basic types of connectors that can be installed in the switch’s port slots, see [“Installing Port Connectors” on page 53](#).

For the full list of compatible copper and optical transceivers, Direct Attach Copper (DAC) cables and Active Optical Cables (AOC), see the [Lenovo Networking Catalog](#).

BASE-T RJ45 Ports

Forty-eight 1000/10G BASE-T RJ45 ports are available on the front panel.

By default, the NE1072T has its BASE-T RJ45 ports 1 to 48 configured at 10 GBit/s.

QSFP+ Ports

Six 40 GbE Quad Small Form-factor Pluggable Plus (QSFP+) ports are located on the front panel.

A QSFP+ port can be configured into four 10 GbE breakout ports.

By default, the NE1072T has its QSFP+ ports 49 to 54 configured at 40 GBit/s.

QSFP+ LEDs

Status LEDs for the QSFP+ ports are described in the following table.

Table 5. QSFP+ port status LED behavior

LED	State	Functional Meaning
Link	Steady Green	Link up
	Flashing Green	Packet transmitting or receiving
	Off	Link down or port disabled

Rear Panel

The rear panel is composed of the following components.

Fan Modules

For cooling, the rear panel of the NE1072T has five bays for hot-swap fan modules. Five fan modules are required for redundancy. When five fan modules are used, if there is a failure of one of the fans, the switch reports the condition, the other fans continue to run, and the switch continues to operate normally.

You can replace one failed hot-swap fan module while the switch is operating. If a second fan fails, the switch reports the condition and shuts down to prevent overheating.



CAUTION:

Be sure to finish the replacement procedure promptly. The switch could overheat if left without cooling for an extended period.

Compatible fan options are listed in the [Lenovo Networking Catalog](#).

Fan operation and internal temperatures are monitored. If the air temperature exceeds a desired threshold, the environmental monitor displays warnings.

Note: If a fan fails, the maximum operating temperature drops from +40°C (104°F) to +35°C (95°F).

Fan airflow can be either front-to-rear or rear-to-front depending on the fan module:

- Front-to-Rear airflow: air enters the switch through the front panel and exits through the fans on the rear panel

The following icon is found on the fan module and it depicts that the fan module has front-to-rear airflow:



- Rear-to-Front airflow: air enters the switch through the fans on the rear panel and exits through the front panel

The following icon is found on the fan module and it depicts that the fan module has rear-to-front airflow:



Note: The port side of the switch is considered the Front Panel and the power supply and fan modules side is considered the Rear Panel.

Fan LEDs

If there is a failure of one or more fans, the front panel Fan LED flashes.

Additional Fan LED indicators are located on the rear panel of the switch, on the individual fan modules.

The following table describes the fan module LED behavior.

Table 6. *Fan module status LED behavior*

LED State	Functional Meaning
On	Fan is on and operational.
Off	Fan module has no power.
Flashing	Fan speed failure. Replace the fan module.

Power Supply

The rear panel of the NE1072T has two bays for hot-swap power supply modules. Each power supply module has an individual IEC 320 C14 power connector. The power cord attaches to a universal grounded AC power source.

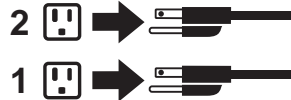
Compatible power options are listed in the [Lenovo Networking Catalog](#).

Statement 5



CAUTION:

The power control button on the device and the power switch on the power supply do not turn off the electrical current supplied to the device. The device also might have more than one power cord. To remove all electrical current from the device, ensure that all power cords are disconnected from the power source.



Statement 31



DANGER

Electrical current from power, telephone, and communication cables is hazardous.

To avoid a shock hazard:

- Do not connect or disconnect any cables or perform installation, maintenance, or reconfiguration of this product during an electrical storm.
- Connect all power cords to a properly wired and grounded power source.
- Connect to properly wired power sources any equipment that will be attached to this product.
- When possible, use one hand only to connect or disconnect signal cables.
- Never turn on any equipment when there is evidence of fire, water, or structural damage.
- Disconnect the attached ac power cords, dc power sources, network connections, telecommunications systems, and serial cables before you open the device covers, unless instructed otherwise in the installation and configuration procedures.
- Connect and disconnect cables as described in the following table when you install, move, or open covers on this product or attached devices.

To Connect:	To Disconnect:
<ol style="list-style-type: none"> 1. Turn OFF all power sources and equipment that is to be attached to this product. 2. Attach signal cables to the product. 3. Attach power cords to the product. <ul style="list-style-type: none"> o For ac systems, use appliance inlets. o For dc systems, ensure correct polarity of -48 V dc connections: RTN is + and -48 V dc is -. Earth ground should use a two-hole lug for safety. 4. Attach signal cables to other devices. 5. Connect power cords to their sources. 6. Turn ON all the power sources. 	<ol style="list-style-type: none"> 1. Turn OFF all power sources and equipment that is to be attached to this product. <ul style="list-style-type: none"> o For ac systems, remove all power cords from the chassis power receptacles or interrupt power at the ac power distribution unit. o For dc systems, disconnect dc power sources at the breaker panel or by turning off the power source. Then, remove the dc cables. 2. Remove the signal cables from the connectors. 3. Remove all cables from the devices.

Two power supply modules are required for redundancy. Each power supply can be connected to a separate circuit to mitigate the risk of down-time during a localized power failure. When used in a redundant configuration, the dual power supplies have a load-sharing capability that enables each power supply to operate at approximately 50 percent of full load.

Using redundant power can minimize the power disruption during a power supply failure and extend the expected lifetime of each power supply by operating normally in a conservative power mode.

For proper airflow when operating the switch with only one power supply module, the empty power supply bay must be protected by a blank cover module.

There is no power switch on the NE1072T power modules; the switch powers up when power is supplied through the power cord to one or both power supplies.

Power LEDs

On the front of the switch, the Power LED on the management panel indicates the general status of the power supplies. The LED flashes when only one power cord is connected, and is steady when both power cords are connected (see [“System Status LEDs” on page 25](#)).

Additional LED indicators are located on the rear panel of the switch, on the individual power supply modules. The following table describes the power supply module LED behavior.

Table 7. *Power supply module status LED behavior*

LED	State	Functional Meaning
Power	Off	No AC power is present.
	Flashing Green	Power supply has AC power and is in standby mode.
	Solid Green	Power supply is on and operational.
	Flashing Amber	Power supply warning event (continuing operation): high temperature, high power, high current, or slow power supply fan.
	Solid Amber	Power supply shutdown from critical event: power supply failure, over-voltage, over-current, over-temperature, power supply fan failure, AC cord unplugged.

Chapter 3. Installing NE1072T Hardware and Options

This chapter describes how to install the NE1072T hardware and options. The following topics are covered:

- [“Before Installing the NE1072T” on page 34](#)
 - How to record important product information
 - Tools required for installation
 - A list of items included in the package
 - Environmental requirements
 - Vital safety information
- Installing the switch in one of the supported rack types
 - [“Installing the NE1072T in a Standard Equipment Rack” on page 39](#)
 - [“Installing the NE1072T in a Lenovo System x or Power Rack” on page 42](#)
 - [“Installing the NE1072T in a Lenovo iDataPlex Rack” on page 46](#)
- [“Installing the Air-Duct Option” on page 49](#)
- [“Installing Port Connectors” on page 53](#)

Note: For information on removing or replacing installed NE1072T components, see [Chapter 4, “Removing and Replacing Components”](#).

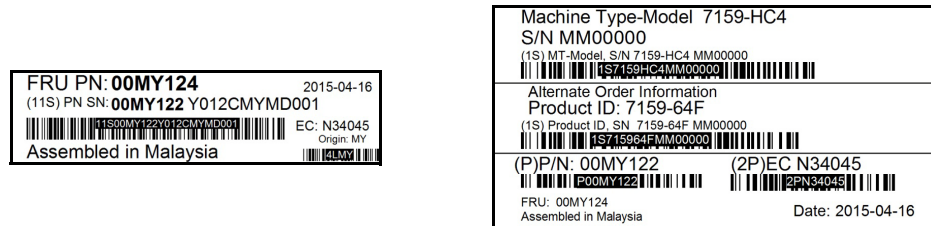
Before Installing the NE1072T

Attention: Product information is required in order to register your NE1072T, update its firmware, place a service call, or replace the unit.

Some of the product information labels may be hidden from view once the NE1072T is installed. To prevent the need to remove the switch in order to read required product information, locate and record the information shown on [Table 8](#) prior to installation.

[Figure 6](#) contains examples of product information labels.

Figure 6. Sample product labels from the switch



Note: These examples are to help locate and identify the information labels. The actual labels and information for your specific switch may differ.

The identification labels on the front, rear, and/or bottom of the NE1072T contain the Machine Type-Model (MTM) number, serial number, part number of the switch. These labels also include the Media Access Control (MAC) address (on the rear panel of unit) of the switch. Though helpful, the MAC address is not required for opening a service call.

Print this page and record product information below. Keep the information in a safe place for future reference. You need this information when you register the switch or open a service call with Lenovo.

Table 8. Important product information

Product Name	ThinkSystem NE1072T
Machine-Type Model	
Serial Number	
Part Number	
Media Access Control (MAC) address for switch	
MAC addresses for other components	

For convenience, once the NE1072T is installed and initialized, you can use the following command in the switch firmware interface to display the product serial number and other required information:

```
NE1072T> show sys-info
```

For more information, see [“Configuring Vital Product Data” on page 72](#).

Required Tools

You need the following tools or equipment to install the NE1072T:

- Standard flat-blade screwdriver
- #2 Phillips screwdriver
- Electrostatic discharge wrist strap

Package Contents

The basic NE1072T package contains the following items:

- One ThinkSystem NE1072T unit with front-to-rear or rear-to-front airflow
- One two-post mounting kit for standard 19” equipment racks:
 - Two mounting brackets
 - Screws to attach brackets to the switch unit
 - Screws to attach the switch unit to the equipment rack
- One console cable kit that includes:
 - One Mini-USB to RJ45 console cable
 - One Category 5 patch cable
 - One RJ45 to DB9 adapter
- One *Important Notices* document
- One *Warranty Information* document

For a list of compatible switch components and options (such as rack-mounting kits, modules, cords, and cables), see the [Lenovo Networking Catalog](#).

Environmental Requirements

This section describes the basic environmental requirements for the NE1072T. Make sure the location where you install the switch meets the following requirements:

- Install the switch unit in a dry, clean, well-ventilated area.
- Provide adequate space in the front and back of the switch unit, to ensure proper air flow.
- Make sure that an adequate grounded power supply is within reach of the switch unit.
- Make sure that twisted-pair cable is routed away from power lines, fluorescent lighting fixtures and other sources of electrical interference.

Preventing Electric Shock

This product does not contain any user-serviceable parts. Do not remove the cover of this device.

The NE1072T AC power module is designed to work with single-phase power systems that have a grounded neutral conductor. For your safety, a power cord with a ground attachment plug is available to order for use with this product. To avoid electrical shock, always use an appropriate power cord and plug with a properly grounded outlet.

Power cords for this product that are used in the United States and Canada are listed by Underwriter's Laboratories (UL) and certified by the Canadian Standards Association (CSA).

For units intended to be operated at 115 volts: Use a UL-listed and CSA-certified cord set consisting of a minimum of 18 AWG, Type SVT or SJT, three-conductor cord, a maximum of 15 feet in length and a parallel blade, grounding-type attachment plug rated 15 amperes, 125 volts.

For units intended to be operated at 230 volts (U.S. use): Use a UL-listed and CSA-certified cord consisting of a minimum of 18 AWG, Type SVT or SJT, three-conductor cord, a maximum of 15 feet in length and a tandem blade, grounding-type attachment plug rated 15 amperes, 250 volts.

For units intended to be operated at 230 volts (outside the U.S.): Use a cord set with a grounding-type attachment plug. The cord set should have the appropriate safety approvals for the country in which the equipment is installed.

Power cords for this product for a specific country or region are usually available only in that country or region.

Power cord installation should also conform to the recommendations listed in [“Cabling Guidelines” on page 38](#).



DANGER

Electrical current from power, telephone, and communication cables is hazardous.

To avoid a shock hazard:

- Do not connect or disconnect any cables or perform installation, maintenance, or reconfiguration of this product during an electrical storm.
- Connect all power cords to a properly wired and grounded power source.
- Connect to properly wired power sources any equipment that will be attached to this product.
- When possible, use one hand only to connect or disconnect signal cables.
- Never turn on any equipment when there is evidence of fire, water, or structural damage.
- Disconnect the attached ac power cords, dc power sources, network connections, telecommunications systems, and serial cables before you open the device covers, unless instructed otherwise in the installation and configuration procedures.
- Connect and disconnect cables as described in the following table when you install, move, or open covers on this product or attached devices.

To Connect:

1. Turn OFF all power sources and equipment that is to be attached to this product.
2. Attach signal cables to the product.
3. Attach power cords to the product.
 - For ac systems, use appliance inlets.
 - For dc systems, ensure correct polarity of -48 V dc connections: RTN is + and -48 V dc is -. Earth ground should use a two-hole lug for safety.
4. Attach signal cables to other devices.
5. Connect power cords to their sources.
6. Turn ON all the power sources.

To Disconnect:

1. Turn OFF all power sources and equipment that is to be attached to this product.
 - For ac systems, remove all power cords from the chassis power receptacles or interrupt power at the ac power distribution unit.
 - For dc systems, disconnect dc power sources at the breaker panel or by turning off the power source. Then, remove the dc cables.
2. Remove the signal cables from the connectors.
3. Remove all cables from the devices.

Handling Static-Sensitive Devices

Attention: Static electricity can damage the switch and other electronic devices. To avoid damage, keep static-sensitive devices in their static-protective packages until you are ready to install them.

To reduce the possibility of electrostatic discharge, observe the following precautions:

- Limit your movement. Movement can cause static electricity to build up around you.
- The use of a grounding system is recommended. For example, wear an electrostatic-discharge wrist strap, if one is available.
- Handle the device carefully, holding it by its edges or its frame.
- Do not touch solder joints, pins, or exposed printed circuitry.
- Do not leave the device where others can handle and damage it.
- While the device is still in its static-protective package, touch it to an unpainted metal part of any unpainted metal surface on a grounded rack component in the rack in which you are installing the device, for at least 2 seconds. This drains static electricity from the package and from your body.
- Remove the device from its package and install it directly into the switch without setting it down. If it is necessary to set down the device, put it back into its static-protective package. Do not place the device on a switch cover or on a metal surface.
- Take additional care when you handle devices during cold weather. Heating reduces indoor humidity and increases static electricity.

Cabling Guidelines

Make sure that all connection cables comply with the following recommendations:

- Make sure that the cables and cabling components comply with industry standards.
- Dress and affix cables to the rack to minimize the stress on the I/O connectors, connector cages, and cables. If possible, use horizontal and vertical cable managers to minimize obstruction of the airflow and other equipment.
- Use wide Velcro straps to reduce pressure points.
- Position large or heavy cable bundles under other cable bundles to prevent crushing or stress. Over-bundling, or placing multiple bundles on top of each other, can degrade performance.
- Make sure that the radius of any bend does not exceed the vendor recommended minimum bend radius.
- Do not stress cables and connectors by applying additional twists, tension beyond load ratings, stapling, or applying nylon tie-wraps with a tie-wrap puller.

Installing the NE1072T in a Rack

The NE1072T can be rack-mounted using one of the following mounting kits:

- For a standard 19-inch equipment rack, use the 2-post rack mounting brackets and screws included with the switch. Installation instructions begin on [page 39](#).
- For a Lenovo System x or Power 4-post rack, use the Lenovo Adjustable 19" 4-Post Rail Kit. This kit must be purchased separately. Installation instructions begin on [page 42](#).

Installing the NE1072T in a Standard Equipment Rack

This section describes how to install the NE1072T in a standard 19-inch equipment rack using the mounting kit included with the switch. For information about mounting the switch in other supported racks, see the appropriate section in this chapter.

The following parts are included in the standard mounting kit.

Table 9. 2-post rack mount kit parts

Item number	Description	Quantity
1	Mounting brackets	2
2	M4 screws	8
3	M6 screws	4
4	M6 clip nuts	4
5	M6 cage nuts	4

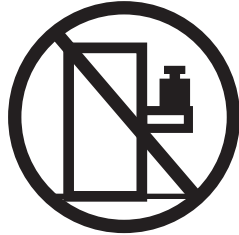
Attention: The rack-mounting frame may be unable to support the weight of the switch with only the front post mounting brackets (2-post application). If the switch has an undesirable amount of sag, it is recommended to use a 4-post mounting kit.

Attention: For earthquake stability, mount the switch in a 4-post rack.



CAUTION:

Do not place any object on top of rack-mounted devices.

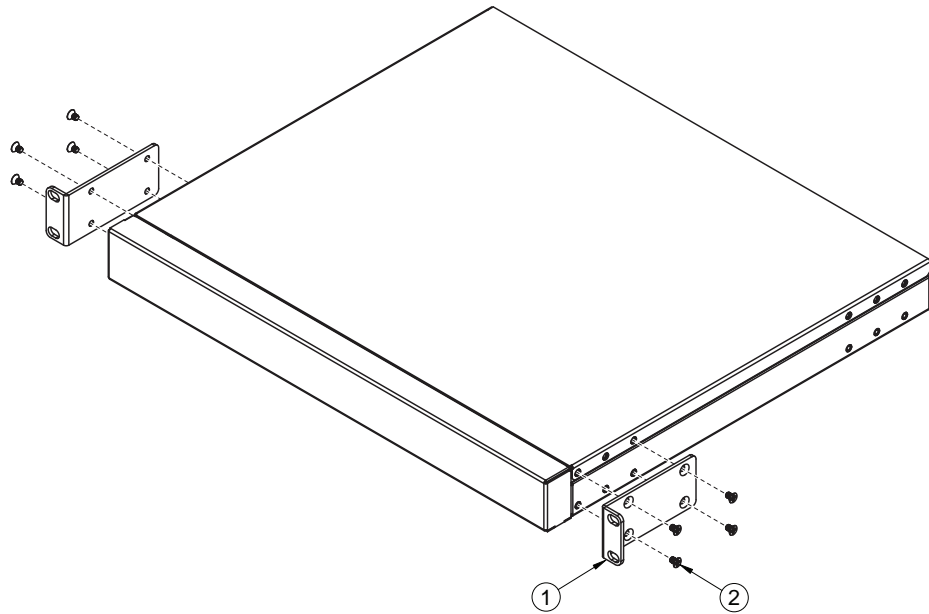


To install the NE1072T in a standard equipment rack, complete the following steps:

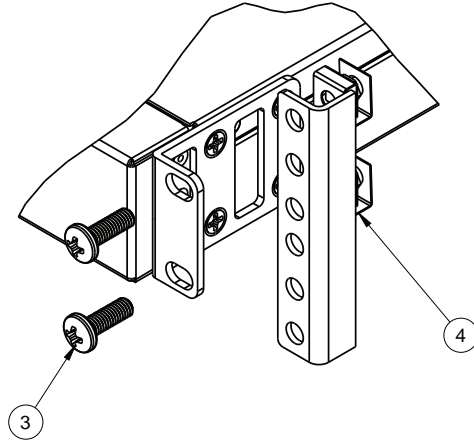
1. Locate, record, and retain the product switch information in order to configure and register your product. See [“Before Installing the NE1072T” on page 34](#).

Note: If this switch is a replacement switch, copy the product information from the original switch onto the RID label that is shipped with replacement switch and affix the new label to the bottom of the new switch.

2. Attach a mounting bracket (Item 1) to each side of the switch with M4 screws (Item 2). Torque the screws to approximately 2.0 newton-meters (Nm) \pm 0.1 Nm (17.7 inch-pounds).



3. From the front, slide the switch into the rack at the desired height.
4. Secure the switch unit to the rack posts with M6 screws (Item 3) and either clip nuts (Item 4) or cage nuts (Item 5). Torque the screws to approximately 5.7 Nm \pm 0.1 Nm (50 inch-pounds).



5. Connect all external cables in accordance with the [“Cabling Guidelines”](#) on [page 38](#).
6. Initialize the switch. See [Chapter 5, “Initializing the NE1072T”](#), on [page 75](#).
7. If the switch is a replacement unit, set Vital Product Data (see [“Configuring Vital Product Data”](#) on [page 72](#)).

Installing the NE1072T in a Lenovo System x or Power Rack

This section describes how to install the NE1072T in a Lenovo System x or Power 4-post rack, using the Lenovo Adjustable 19" 4-Post Rail Kit.

This kit must be purchased separately. It includes the following parts:

Table 10. *Lenovo Adjustable 19" 4-Post Rail Kit parts*

Item number	Description	Quantity
1	Switch front bracket	2
2	M4 screws	16
3	M6 screws	8
4	M6 clip nuts	8
5	M6 cage nuts	8
6	M3.5 screws	4
7	Rear mounting bracket	1
8	Rear mounting bracket with cord exit	1
9	Filler plate	1

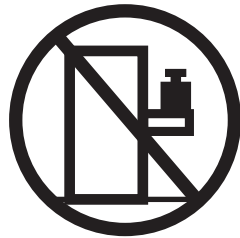
Note: When using a System x or Power 4-post rack, the 4-Post Rail Kit is compatible with the optional air-duct kit (available separately). See ["Installing the Air-Duct Option" on page 49](#) for details.

Statement 26



CAUTION:

Do not place any object on top of rack-mounted devices.

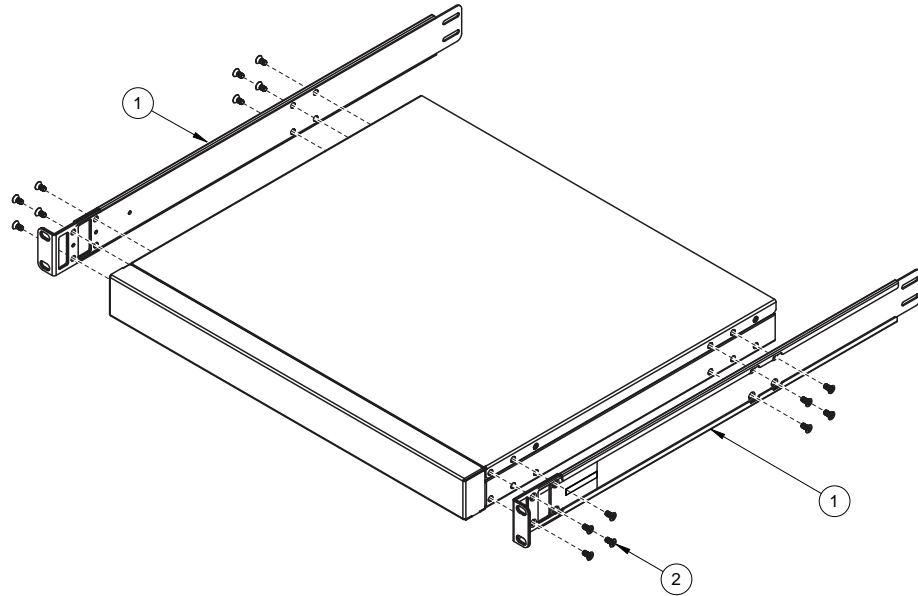


To install the NE1072T in a System x or Power rack, complete the following steps:

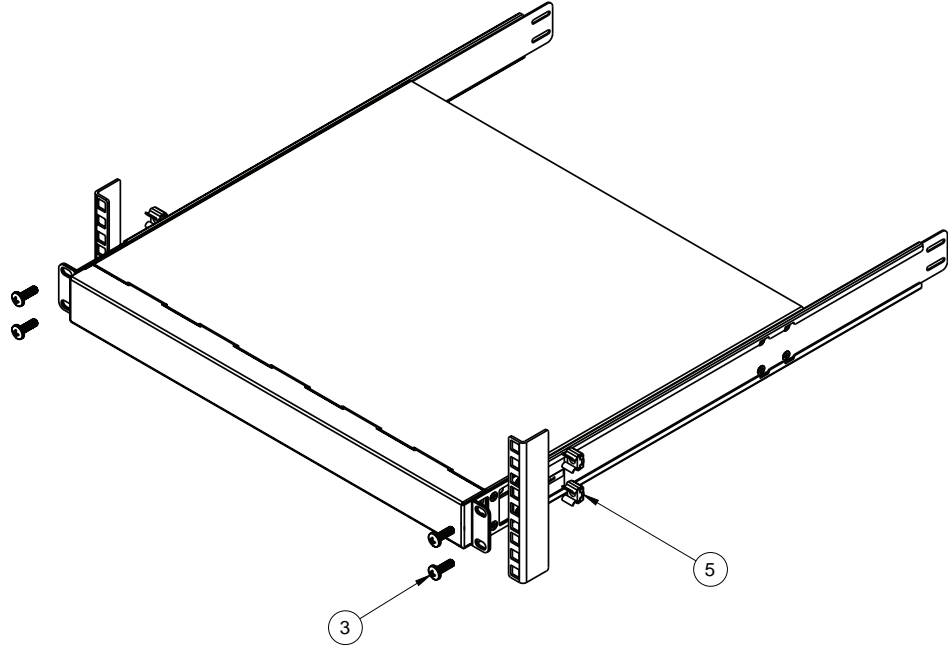
1. Locate, record, and retain the product switch information in order to configure and register your product. See [“Before Installing the NE1072T” on page 34](#).

Note: If this switch is a replacement switch, copy the product information from the original switch onto the RID label that is shipped with replacement switch and affix the new label to the bottom of the new switch.

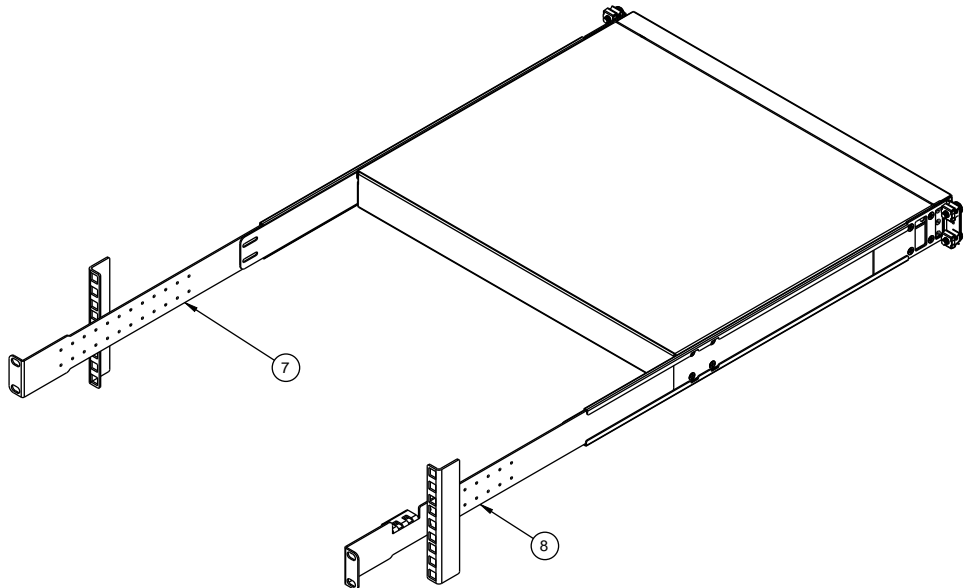
2. Attach the front mounting brackets (Item 1) to each side of the switch with M4 screws (Item 2). Torque the screws to approximately 2.0 newton-meters (Nm) \pm 0.1 Nm (17.7 inch-pounds).



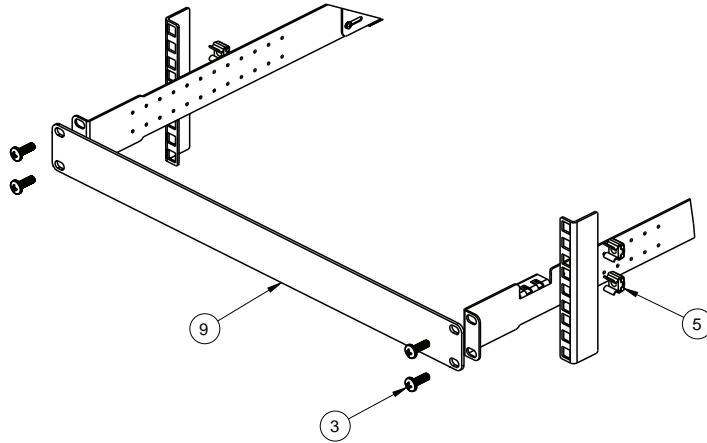
3. From the front, slide the switch into the rack at the desired height.
4. Secure the switch to the front rack posts with M6 screws (Item 3) and either clip nuts (Item 4) or cage nuts (Item 5). Torque the screws to approximately $5.7 \text{ Nm} \pm 0.1 \text{ Nm}$ (50 inch-pounds).



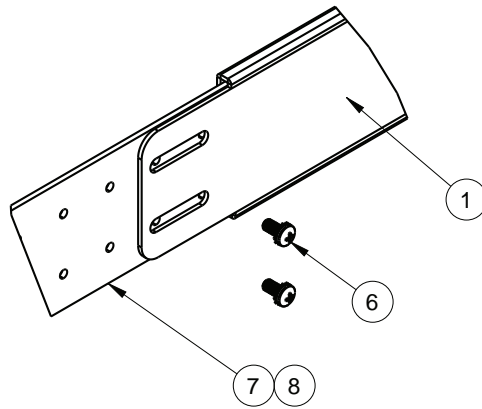
5. Slide the rear mounting brackets (Item 7 and Item 8) into the slots available on the front mounting brackets.



6. Attach the filler plate (Item 9) and rear mounting brackets to the rear rack posts with M6 screws (Item 3), and either clip nuts (Item 4) or cage nuts (Item 5). Torque the screws to approximately 5.7 Nm \pm 0.1 Nm (50 inch-pounds).



7. Secure the rear brackets to the front brackets with M3.5 screws (Item 6). Torque the screws to approximately 0.5 Nm (4 inch-pounds).



8. If installing the 1U air-duct option, see the instruction on [page 49](#).
9. Connect all external cables in accordance with the [“Cabling Guidelines” on page 38](#).
10. Initialize the switch. See [Chapter 5, “Initializing the NE1072T”](#).
11. If the switch is a replacement unit, set Vital Product Data (see [“Configuring Vital Product Data” on page 72](#)).

Installing the NE1072T in a Lenovo iDataPlex Rack

This section describes how to install the NE1072T in a Lenovo iDataPlex rack. The iDataPlex mounting kit allows the switch to be mounted either horizontally or vertically.

The kit must be purchased separately. It includes the following parts:

Table 11. *Lenovo Adjustable 19" 4-Post Rail Kit parts*

Item number	Description	Quantity
1	Switch front brackets	2
2	M4 screws	16
3	M6 screws	8
4	M6 clip nuts	8
5	Switch rear brackets	2
6	Rear alignment plates	2

Attention: The rack-mounting frame may not be able to support the weight of the networking switch with only the front post mounting brackets (2-post application). If the switch has an undesirable amount of sag, it is recommended to use a 4-post mounting kit.

Attention: For earthquake stability, mount the switch in a 4-post rack.

Statement 26



CAUTION:

Do not place any object on top of rack-mounted devices.

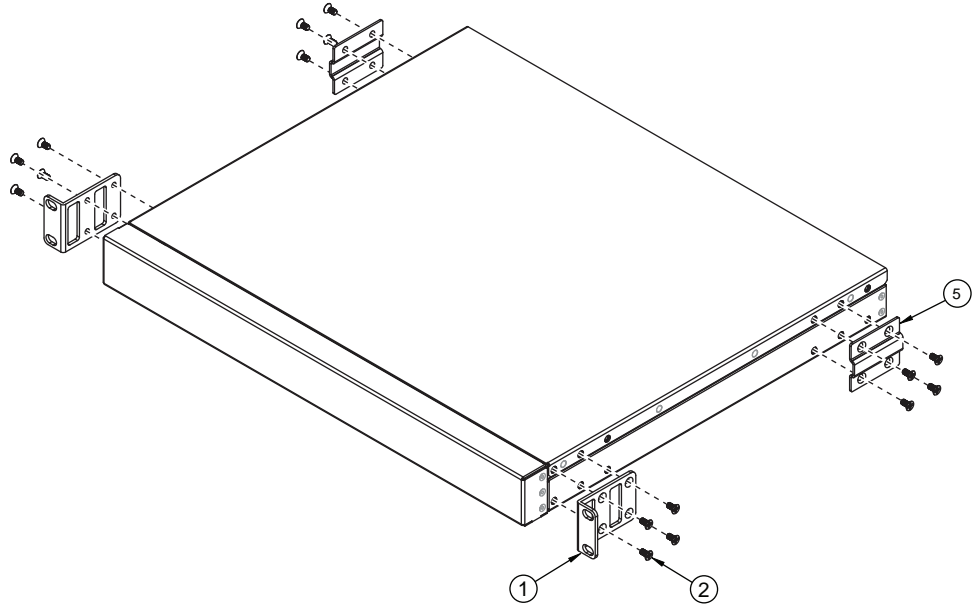


To install the NE1072T in an iDataPlex rack, complete the following steps:

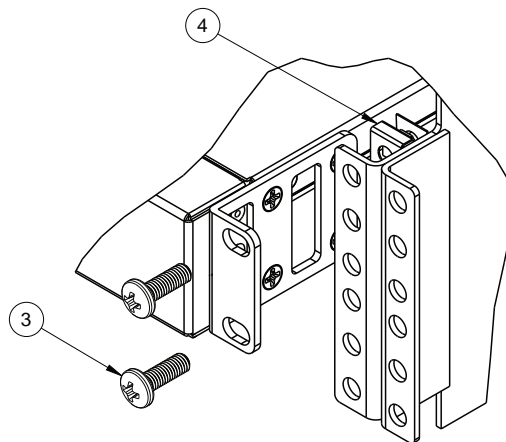
1. Locate, record, and retain the product switch information in order to configure and register your product. See [“Before Installing the NE1072T” on page 34](#).

Note: If this switch is a replacement switch, copy the product information from the original switch onto the RID label that is shipped with replacement switch and affix the new label to the bottom of the new switch.

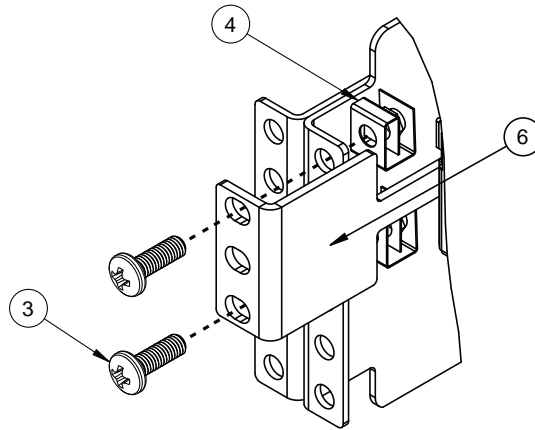
2. Attach front mounting brackets (Item 1) and rear mounting brackets (Item 5) to each side of the switch with M4 screws (Item 2). Torque the screws to approximately 2 newton-meters (Nm) +/- 0.1 Nm (17.7 inch-pounds).



3. From the front, slide the switch into the rack at the desired height.
4. Secure the switch to the front rack posts with M6 screws (Item 3), and clip nuts (Item 4). Torque the screws to approximately 5.7 Nm +/- 0.1 Nm (50 inch-pounds).



5. Attach the rear alignment plate (Item 6) to the rear rack posts with M6 screws (Item 3), and clip nuts (Item 4). Torque the screws to approximately 5.7 Nm +/- 0.1 Nm (50 inch-pounds).



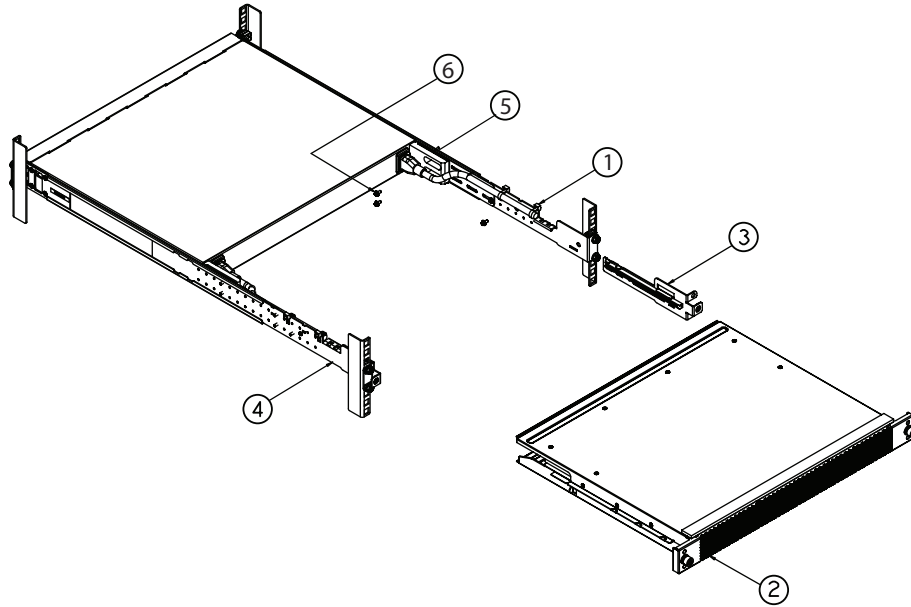
6. If installing the 1U air-duct option, see the instruction on [page 49](#).
7. Connect all external cables in accordance with the “[Cabling Guidelines](#)” on [page 38](#).
8. Initialize the switch. See [Chapter 5, “Initializing the NE1072T”](#).
9. If the switch is a replacement unit, set Vital Product Data (see “[Configuring Vital Product Data](#)” on [page 72](#)).

Installing the Air-Duct Option

The NE1072T supports an optional 1U air duct to maximize air flow conditions in a 19" rack.

The air-duct option is only supported when the switch is installed on a 4-post rack mount kit basis. If the switch is installed on a rack using default 2-post rack mount kit, it does not support the air-duct option.

For information on removing an installed 1U air-duct option, see [“Removing the Air-Duct Option”](#) on page 71.



The following table lists the parts included with the air-duct option kit.

Table 12. *Air-duct Option Kit parts*

Item Number	Description	Quantity
1	Cable tie	4
2	1U Duct sleeve (long)	1
3	Mounting bracket (left)	1
4	Mounting bracket (right)	1
5	Foam carrier assembly	2
6	M3.5 screws	6

Attention: The rack-mounting frame may not be able to support the weight of the networking switch with only the front post mounting brackets (2-post application). If the switch has an undesirable amount of sag, it is recommended to use a 4-post mounting kit.

Attention: For earthquake stability, mount the switch in a 4-post rack.



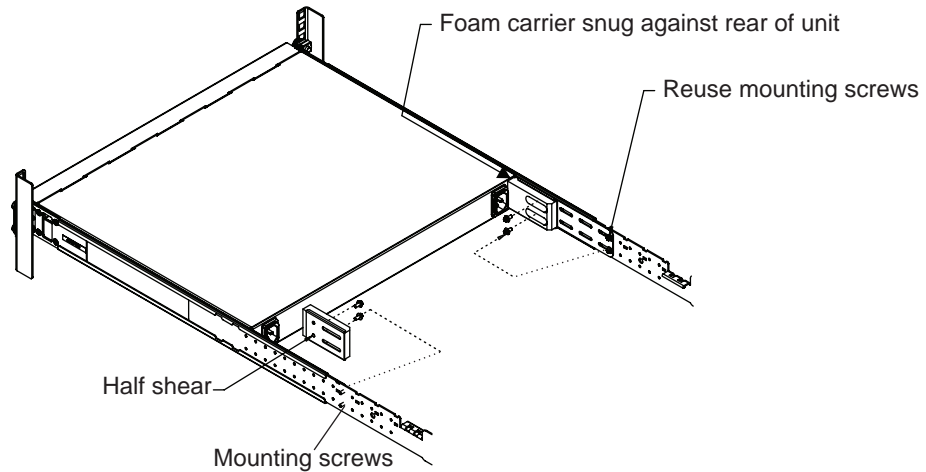
CAUTION:

Do not place any object on top of rack-mounted devices.



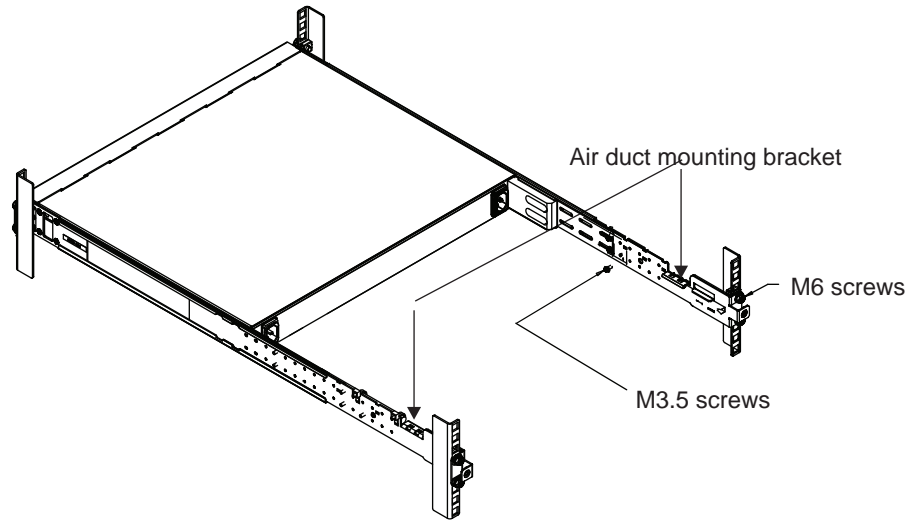
To install the 1U air-duct option in a 19" rack, complete the following steps:

1. Loosen and remove the mounting screws from both sides of the mounting rail and set them aside to reuse for securing the foam carrier in the next step.
2. Place the half shears on the rear side of the foam carriers and use the M3.5 mounting rail screws to secure the foam carrier assemblies snugly against the rear of the NE1072T unit. Torque the screws to approximately $1.1 \text{ Nm} \pm 0.1 \text{ Nm}$ (10 inch-pounds).



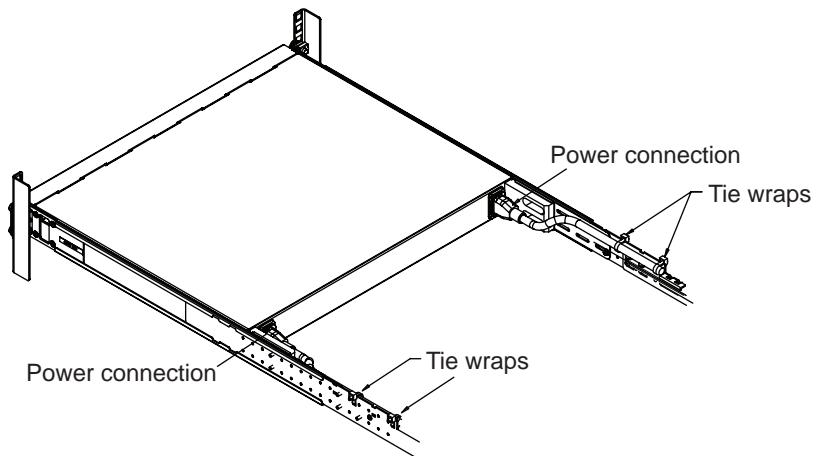
Note: There are additional M3.5 screws in the air-duct assembly kit.

- Secure the air-duct mounting bracket to the rails with M6 screws. Torque the screws to approximately $5.7 \text{ Nm} \pm 0.1 \text{ Nm}$ (50 inch-pounds).

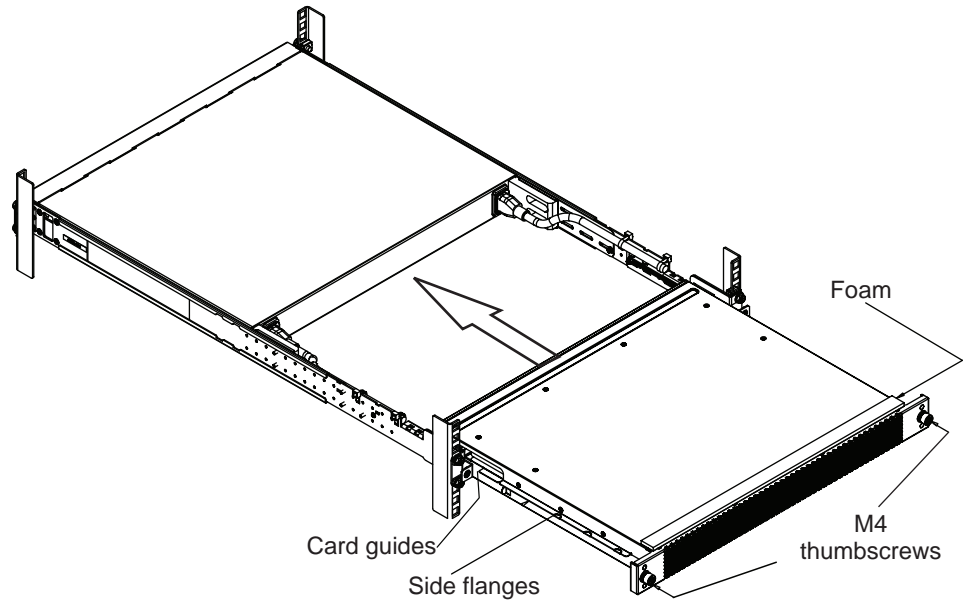


Note: Reuse the original M6 screws used to fasten the 4-post rack mounting brackets to secure the air duct mounting brackets with 4-post mounting brackets together.

- Secure the air-duct mounting bracket to the rack chassis with M3.5 screws. Torque the screws to approximately $1.1 \text{ Nm} \pm 0.1 \text{ Nm}$ (10 inch-pounds).
- Plug the power cords into their respective NE1072T power connectors and using tie wraps, secure the power cords to the mounting rails.



6. Gently slide the air-duct unit side flanges into the card guides until the unit is seated firmly. Make sure that the foam strip is oriented on top.



7. Secure the air-duct unit to the air-duct brackets with the two M4 thumbscrews.

Installing Port Connectors

The NE1072T supports copper and optical transceivers, Direct Attached Copper (DAC) cables and Active Optical Cables (AOC).

Note: This section covers the basic types of connectors that can be installed on the switch. We recommend you to consult the [Lenovo Networking Products and Options Catalog](#) for the full list of supported transceivers, DACs or Active Optical Cables cables.

To install a supported transceiver, see [“Installing a Transceiver”](#) on page 54.

BASE-T RJ45 Port Slots

Approved RJ45 cables are supported in BASE-T RJ45 port slots.

QSFP+ Port Slots

Quad Small Form-factor Pluggable Plus (QSFP+) port slots support the following approved connector types:

- 40 GbE QSFP+ optical transceivers
- 40 GbE QSFP+ DAC cables
- 40 GbE QSFP+ Active Optical Cables
- 10 GbE SFP+ copper or optical transceivers, DAC cables, or Active Optical Cables in breakout adapters

QSFP+ optical transceivers provide an MTP cable connector for connecting to external ports.

Note: For the NE1072T, the fan speed increases if more than four QSFP+ Bi-Directional (BiDi) optical transceivers are installed.

Installing a Transceiver

Note: To avoid damage to a transceiver, do not connect the cable before you install the transceiver.

Statement 3



CAUTION:

When laser products (such as CD-ROMs, DVD drives, fiber optic devices, or transmitters) are installed, note the following:

- Do not remove the covers. Removing the covers of the laser product could result in exposure to hazardous laser radiation. There are no serviceable parts inside the device.
- Use of controls or adjustments or performance of procedures other than those specified herein might result in hazardous radiation exposure.



DANGER

Some laser products contain an embedded Class 3A or Class 3B laser diode. Note the following.

Laser radiation when open. Do not stare into the beam, do not view directly with optical instruments, and avoid direct exposure to the beam.



Class 1 Laser Product

Laser Klasse 1

Laser Klass 1

Luokan 1 Laserlaite

Appareil À Laser de Classe 1

To install a transceiver in a SFP+, QSFP+, SFP28, or QSFP28 port slot on the switch, complete the following steps:

1. Remove the port slot's safety cap.
2. Remove the transceiver's safety cap and pull its bail clasp, if any, into the up position.
3. Insert the transceiver into the port slot until it clicks into place. Use minimal pressure when you insert the transceiver. Do not use excessive force when you insert the transceiver or you might damage the transceiver or the slot.

Note: The transceiver has a mechanical guide key to prevent you from inserting the transceiver in an incorrect orientation.

4. Ensure you are following the [“Cabling Guidelines” on page 38](#) and then insert the cable into the transceiver until it clicks into place.

To remove a transceiver, disconnect the cable, and pull down the bail clasp, if any. This releases the transceiver. After you remove the transceiver, cover it using its safety cap.

Chapter 4. Removing and Replacing Components

This chapter describes how to remove NE1072T hardware components for replacement. The following topics are covered:

- [“Removing Port Transceivers” on page 58](#)
- Removing and replacing hot-swap modules
 - [“Removing and Replacing a Power Supply Module” on page 59](#)
 - [“Removing and Replacing a Fan Module” on page 63](#)
- Removing the switch from one of the supported rack types
 - [“Removing the NE1072T from a Standard Equipment Rack” on page 65](#)
 - [“Removing the NE1072T from a Lenovo System x or Power Rack” on page 66](#)
 - [“Removing the NE1072T from a Lenovo iDataPlex Rack” on page 69](#)
- [“Removing the Air-Duct Option” on page 71](#)
- [“Replacing the NE1072T” on page 72](#)

Removing Port Transceivers

Statement 3



CAUTION:

When laser products (such as CD-ROMs, DVD drives, fiber optic devices, or transmitters) are installed, note the following:

- Do not remove the covers. Removing the covers of the laser product could result in exposure to hazardous laser radiation. There are no serviceable parts inside the device.
- Use of controls or adjustments or performance of procedures other than those specified herein might result in hazardous radiation exposure.



DANGER

Some laser products contain an embedded Class 3A or Class 3B laser diode. Note the following.

Laser radiation when open. Do not stare into the beam, do not view directly with optical instruments, and avoid direct exposure to the beam.



Class 1 Laser Product

Laser Klasse 1

Laser Klass 1

Luokan 1 Laserlaite

Appareil À Laser de Classe 1

To remove one of the installed transceiver modules from the switch, complete the following steps:

1. Disconnect the port cable from the transceiver
2. Pull down the bail clasp, if any, to release the transceiver
3. Gently slide the transceiver out of the switch
4. After you remove the transceiver, cover it using its safety cap

To replace the transceiver module, see [“Installing a Transceiver” on page 54.](#)

Removing and Replacing a Power Supply Module

The rear panel of the NE1072T has two bays for hot-swap power supply modules. Two active power supply modules are required for load-sharing and redundancy. If one power supply module fails, you can replace it without powering off the switch or disrupting switch functions.

For proper airflow when operating the switch with only one power supply module, the empty power supply bay must be closed by a blank power filler plate.

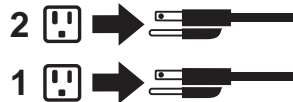
Removing the Power Supply Module

Statement 5



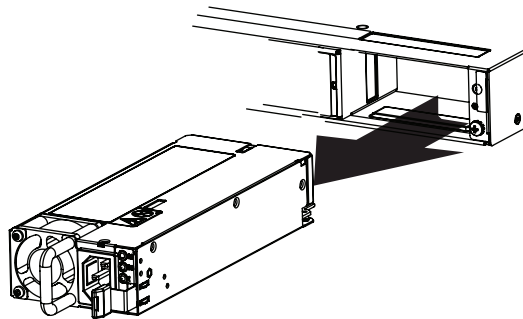
CAUTION:

The power control button on the device and the power switch on the power supply do not turn off the electrical current supplied to the device. The device also might have more than one power cord. To remove all electrical current from the device, ensure that all power cords are disconnected from the power source.



To remove a hot-swap power supply module, complete the following steps:

1. Remove the power cord from the module's power connector.
2. Press the release latch of the power supply module, and slide the module out of the bay.



Attention: Do not leave the power-supply bay empty for more than 90 seconds while the switch is operating. Either replace the power supply module or install a blank power filler plate.

To return the component to customer service for replacement, see [Appendix A, "Getting Help and Technical Assistance"](#) to help you gather all the required information that is necessary to return a component. After you remove the component, securely pack the component for shipping.

Replacing the Power Supply Module

Statement 31



DANGER

Electrical current from power, telephone, and communication cables is hazardous.

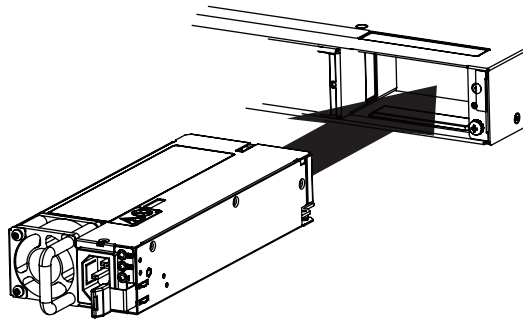
To avoid a shock hazard:

- Do not connect or disconnect any cables or perform installation, maintenance, or reconfiguration of this product during an electrical storm.
- Connect all power cords to a properly wired and grounded power source.
- Connect to properly wired power sources any equipment that will be attached to this product.
- When possible, use one hand only to connect or disconnect signal cables.
- Never turn on any equipment when there is evidence of fire, water, or structural damage.
- Disconnect the attached ac power cords, dc power sources, network connections, telecommunications systems, and serial cables before you open the device covers, unless instructed otherwise in the installation and configuration procedures.
- Connect and disconnect cables as described in the following table when you install, move, or open covers on this product or attached devices.

To Connect:	To Disconnect:
<ol style="list-style-type: none"> 1. Turn OFF all power sources and equipment that is to be attached to this product. 2. Attach signal cables to the product. 3. Attach power cords to the product. <ul style="list-style-type: none"> o For ac systems, use appliance inlets. o For dc systems, ensure correct polarity of -48 V dc connections: RTN is + and -48 V dc is -. Earth ground should use a two-hole lug for safety. 4. Attach signal cables to other devices. 5. Connect power cords to their sources. 6. Turn ON all the power sources. 	<ol style="list-style-type: none"> 1. Turn OFF all power sources and equipment that is to be attached to this product. <ul style="list-style-type: none"> o For ac systems, remove all power cords from the chassis power receptacles or interrupt power at the ac power distribution unit. o For dc systems, disconnect dc power sources at the breaker panel or by turning off the power source. Then, remove the dc cables. 2. Remove the signal cables from the connectors. 3. Remove all cables from the devices.

To replace a hot-swap power supply module, complete the following steps:

1. Select an empty power supply module bay on the rear of the switch. If the target bay is protected by a blank power filler plate, remove the blank.
2. Insert the power supply module into the selected power-supply bay and gently push it into the slot until it latches. Each power supply module has a mechanical guide key to prevent you from inserting the module incorrectly.



3. Connect the power cord to the power supply module and to an appropriate universal grounded AC power source.
4. Make sure that the power supply module's LEDs are green.

Removing and Replacing a Fan Module

The rear panel of the NE1072T has five bays for hot-swap fan modules. Five active fan modules are required for redundancy.

With active fan modules in all fan bays, if one fan fails, the switch sends an error message and continue operation. You can then replace the failed fan without powering off the switch or disrupting switch functions. If a second fan fails, the switch sends another error message, write a log message to flash memory, and shut down to prevent overheating.

Note: Read the “[Fan Modules](#)” on page 28 section before attempting to remove or replace a fan module.

Removing the Fan Module

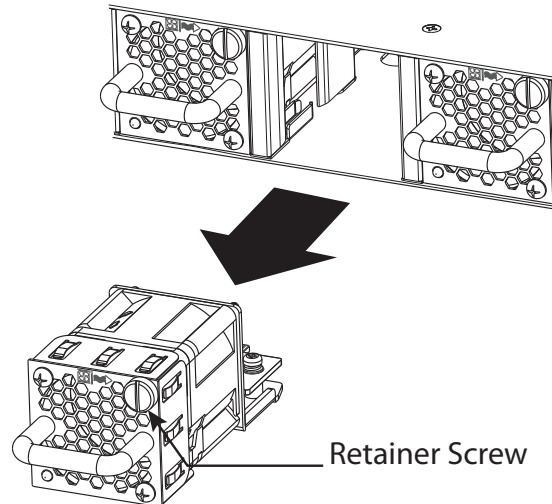


CAUTION:

Be sure to finish the replacement procedure promptly. The switch could overheat if left without cooling for an extended period.

To remove a hot-swap fan module, complete the following steps:

1. Loosen the retainer screw.
2. Grasp the extractor handle and gently pull the fan module from the slot.



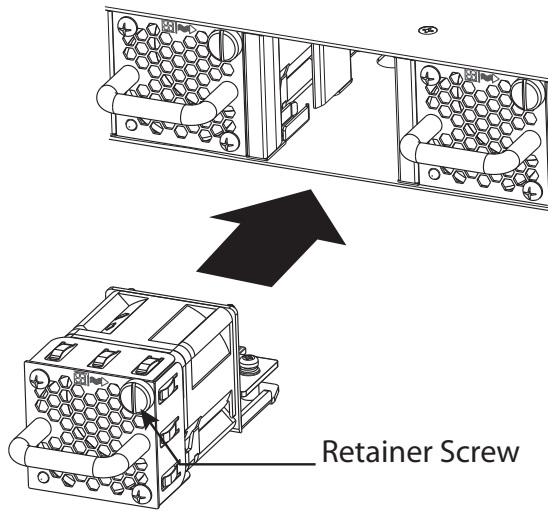
Attention: If the inlet air temperature is above 35°C (95°F) while the switch is in operation, replace the fan module within five minutes to avoid overheating the switch.

To return the component to customer service for replacement, see [Appendix A, “Getting Help and Technical Assistance”](#) to help you gather all the required information that is necessary to return a component. After you remove the component, securely pack the component for shipping.

Replacing the Fan Module

To replace a hot-swap fan module, complete the following steps:

1. Select an empty fan module bay on the rear of the switch. If the target bay is covered by a blank fan filler plate, loosen the retainer screw and slide the filler plate out of the slot.
2. Remove the new fan module from the antistatic shielded bag.
3. Slide the fan module into the card guides in the open slot and gently push it all the way into the slot, so that it firmly engages with the connector (see the illustration). Each fan module has a mechanical guide key to prevent you from inserting the module incorrectly.



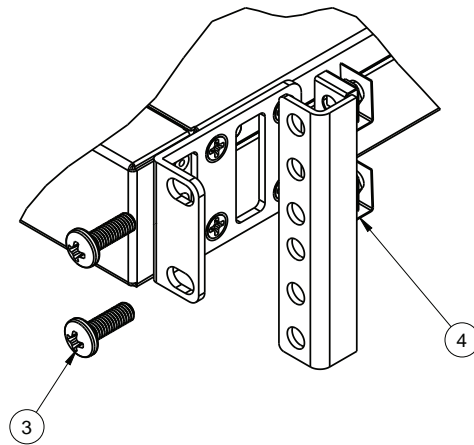
4. Tighten the retaining screw on the fan module. Torque the screw to approximately 0.25 Nm +/- 0.1 Nm (2 inch-pounds).
5. Make sure that the fan module's LED is lit.

Removing the NE1072T from a Standard Equipment Rack

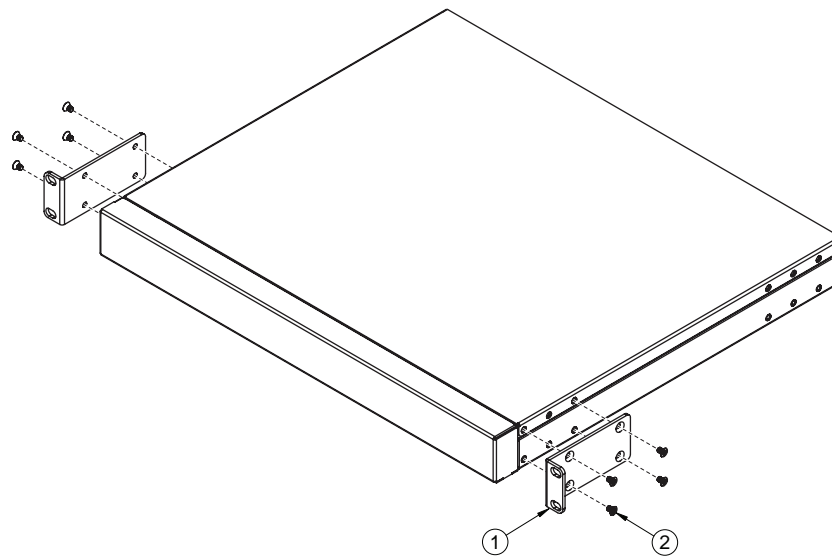
This section describes how to remove the NE1072T from a standard 19-inch equipment rack. For information about removing the switch from other supported racks, see the appropriate section in this chapter.

To remove the NE1072T from a standard rack, complete the following steps:

1. Disconnect all external cables.
2. If the air-duct option has been installed, remove it as described in [“Removing the Air-Duct Option”](#) on page 71.
3. Loosen and remove M6 screws (Item 3) and clip nuts (or cage nuts - Item 4) to release the switch unit from the rack.



4. Slide the switch unit out of the rack.
5. Loosen and remove the M4 screws attaching the mounting bracket on each side of the switch.



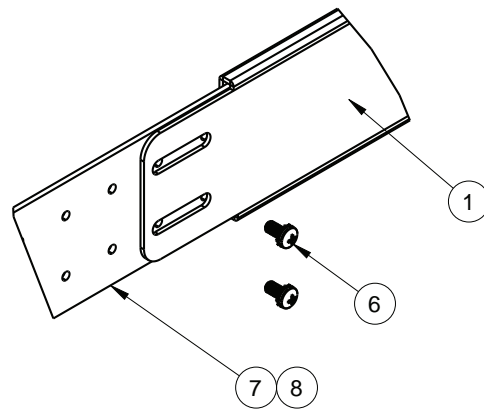
6. If replacing the unit with another NE1072T, see [“Replacing the NE1072T”](#) on page 72.

Removing the NE1072T from a Lenovo System x or Power Rack

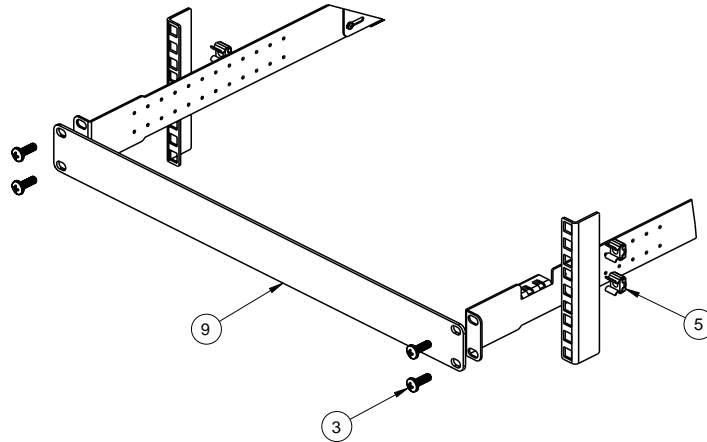
This section describes how to remove the NE1072T from a Lenovo System x or Power 4-post rack.

To remove the NE1072T from a System x or Power rack, complete the following steps:

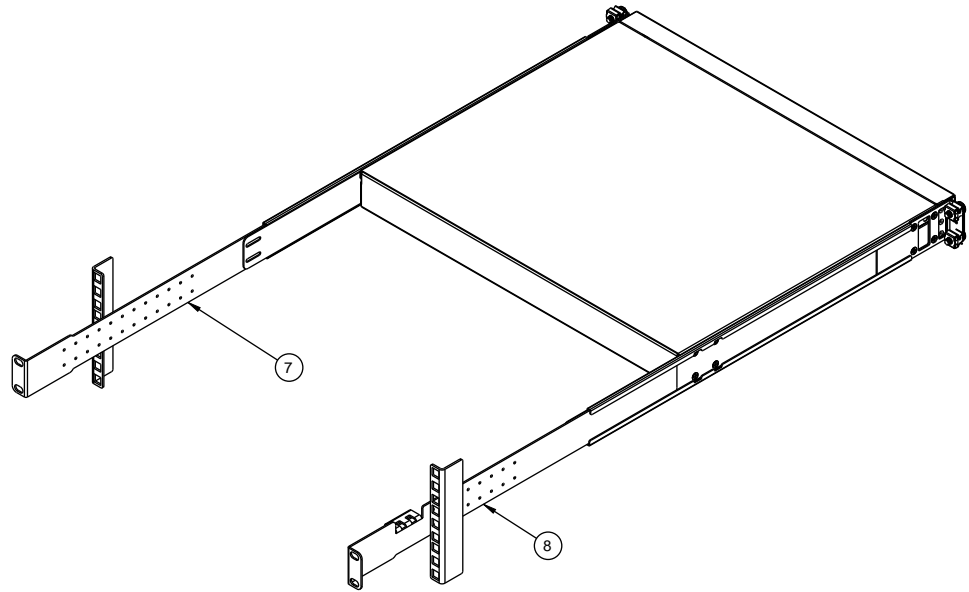
1. Disconnect all external cables.
2. If the air-duct option has been installed, remove it as described in [“Removing the Air-Duct Option”](#) on page 71.
3. Loosen and remove M3.5 screws that secure the rear brackets to the front brackets.



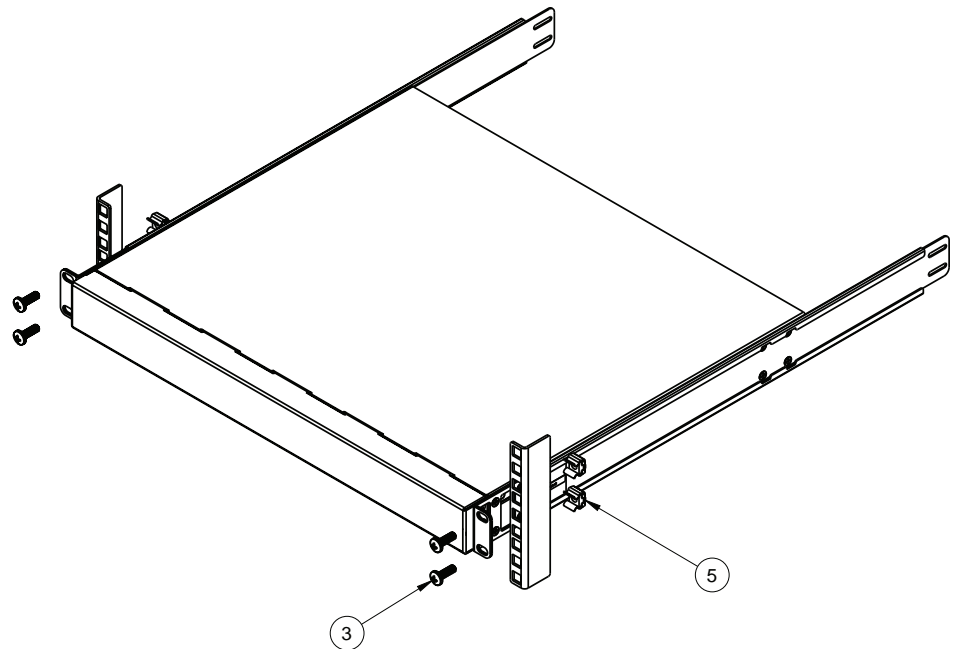
4. Loosen and remove the M6 screws and clip nuts (or cage nuts) that attach the filler plate and rear mounting brackets to the rear rack posts.



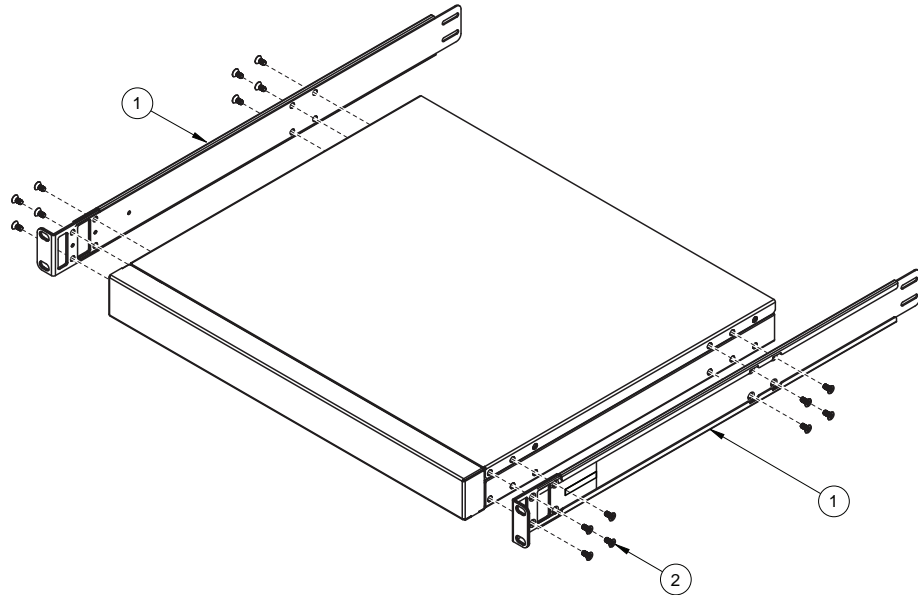
5. Slide the rear mounting brackets out of their slots in the front mounting brackets.



6. Loosen and remove the M6 screws and clip nuts (or cage nuts) connecting the front mounting brackets to the front rack posts.



7. Slide the NE1072T unit out of the rack.
8. Loosen and remove the M4 screws that attach the front mounting brackets to each side of the switch.



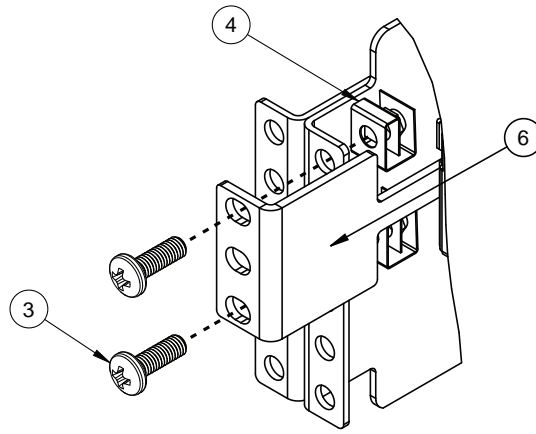
9. If replacing the unit with another NE1072T, see [“Replacing the NE1072T” on page 72.](#)

Removing the NE1072T from a Lenovo iDataPlex Rack

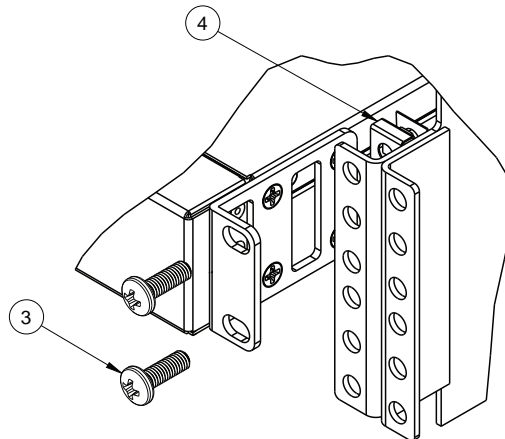
This section describes how to remove the NE1072T from a Lenovo iDataPlex rack.

To remove the NE1072T from an iDataPlex rack, complete the following steps:

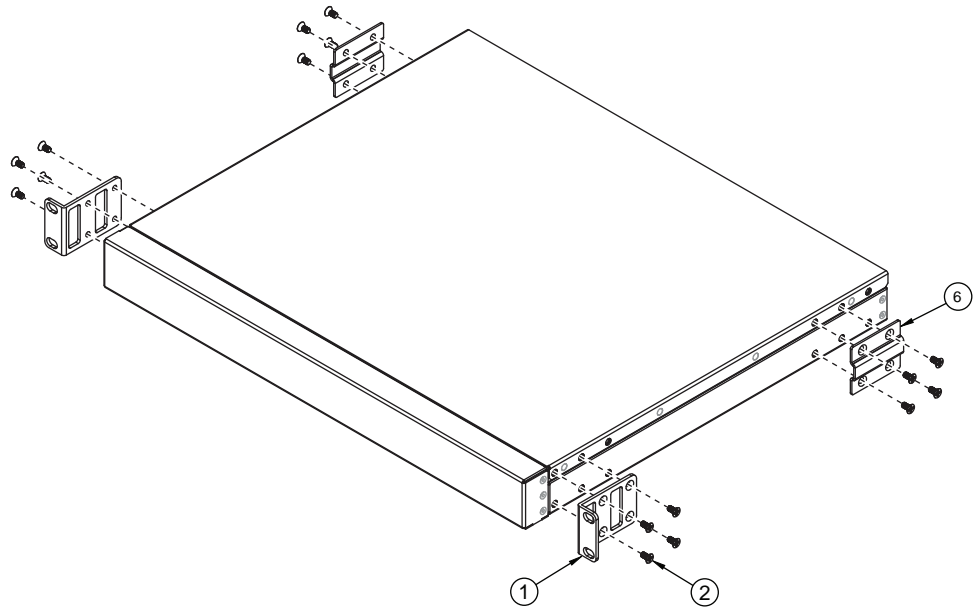
1. Disconnect all external cables.
2. If the 1U air-duct option has been installed, remove it as described in [“Removing the Air-Duct Option”](#) on page 71.
3. Loosen and remove the M6 screws, washer, and clip nuts that attach the alignment plate.



4. Loosen and remove the M6 screws and clip nuts that mount the switch into the rack.



5. Slide the switch out of the rack.
6. Loosen and remove the M4 screws that attach front and rear mounting brackets to each side of the switch.



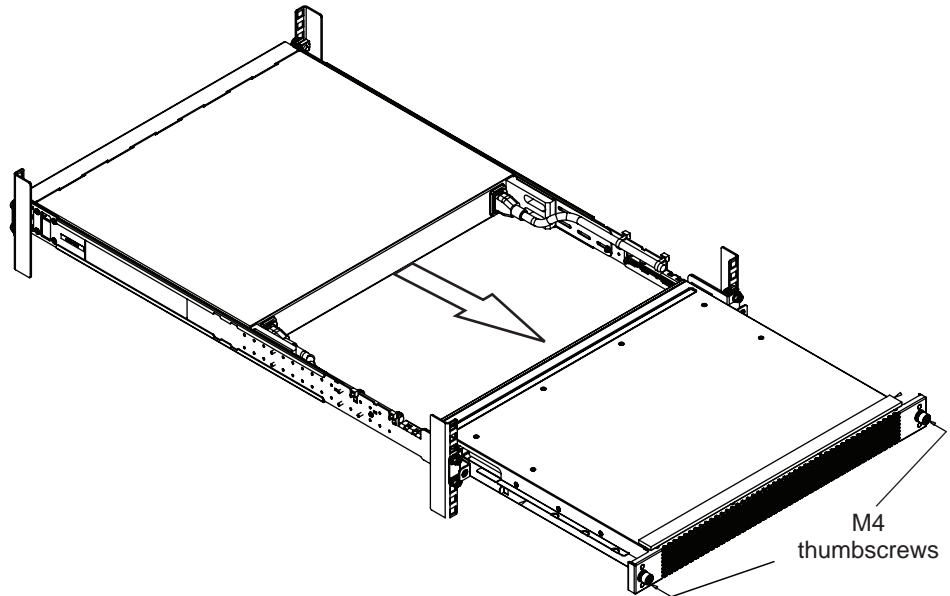
7. If replacing the unit with another NE1072T, see [“Replacing the NE1072T” on page 72.](#)

Removing the Air-Duct Option

The NE1072T supports an optional 1U air duct to maximize air flow conditions in a Lenovo Power Systems Group rack.

To remove an installed 1U air-duct option from a 19" rack, complete the following steps.

1. Loosen the M4 thumbscrews securing the air-duct unit to the mounting brackets.
2. Slide the 1U air-duct unit out of the rack.



To return the component to customer service for replacement, see [Appendix A, "Getting Help and Technical Assistance"](#) to help you gather all the required information. After you remove the component, securely pack it for shipping.

For instructions to install a replacement air-duct option, see ["Installing the Air-Duct Option"](#) on page 49.

Replacing the NE1072T

Preparing and Returning the NE1072T

If replacing the NE1072T, remove all associated components and options according to the instructions in this chapter. Remove and retain clips, cords, cables, modules, caps or blanks, air-duct option (if installed), and any mounting hardware. These items can then be reinstalled on the replacement unit.

When you remove the NE1072T from the rack, record the product Machine Type-Model (MTM) number and serial number to use for the replacement switch. See [“Before Installing the NE1072T” on page 34](#) to locate the product information labels on the switch or through the switch firmware interface.

To return the chassis to customer service for replacement, see [Appendix A, “Getting Help and Technical Assistance”](#) to help you gather all the required information that is necessary to return a component. After you remove the NE1072T unit, securely pack it for shipping.

Replace power and fan modules. For details, see [“Removing and Replacing a Power Supply Module” on page 59](#) and [“Removing and Replacing a Fan Module” on page 63](#).

Install the replacement NE1072T hardware as directed in [Chapter 3, “Installing NE1072T Hardware and Options”](#)). Once the hardware is installed, configure the Vital Product Data (VPD) on the replacement switch as shown in the following section.

Configuring Vital Product Data

After you install the replacement NE1072T hardware (the new unit), you must configure the new unit to use the VPD of the unit which was removed (the old unit), in order to avoid losing any licensed electronic entitlement data. The required information consists of the old unit’s MTM and serial number, which was collected from the old unit according to [“Before Installing the NE1072T” on page 34](#).

To configure the VPD on a new switch, complete the following steps.

1. Log in to the new NE1072T as directed in [Chapter 5, “Initializing the NE1072T”](#). At the login prompt, the default username is `admin` and the default password is `admin`.
2. Use the following CLI commands to enter the Global Configuration mode:

```
NE1072T> enable
NE1072T# configure [terminal]
NE1072T(config)#
```

3. Set the new switch to use the Machine Type-Model (MTM) number of the old unit:

```
NE1072T(config)# hardware mtm 1234-56X
New MTM value: 1234-56X
Please reset the system for the new changes to take effect
```

where 1234-56X is the MTM from your old unit.

Note: The MTM (1234-56X) shown here is merely an example. Use the actual MTM recorded from your old NE1072T unit.

4. Set the new switch to use the serial number of the old unit:

```
NE1072T(config)# hardware esn XX01234
```

where XX01234 is the serial number of your old unit.

Note: The serial number (XX01234) shown here is merely an example. Use the actual serial number recorded from your old NE1072T unit.

5. Reset the switch using the following command:

```
NE1072T# reload
```

When prompted for confirmation, enter **y**. The switch then restarts.

6. After the switch reboots, return to the command prompt and verify that the VPD information is correct using the following command:

```
NE1072T> show sys-info

*** show boot ***
Current ZTP State: Enable
Current FLASH software:
  active image: version 10.8.5.0, downloaded 13:02:51 UTC Mon Oct 22 2018
  standby image: version 10.8.5.0, downloaded 13:03:50 UTC Sat Oct 20 2018
  Grub: version 10.8.5.0, downloaded 13:02:53 UTC Mon Oct 22 2018
  BIOS: version 0203B, release date 08/28/2018
  Secure Boot: Disabled
  ONIE: version unknown, downloaded unknown
Currently set to boot software active image
Currently scheduled reboot time: none
...
System Name                : NE1072T
System Description         : NE1072T
System Model               : Lenovo ThinkSystem NE1072T RackSwitch
System VPD Version        : 3.1
System Manufacture Date   : 2918 (WWYY)
System Part Number        : SSG7A38810
System Serial Number       : 000000000000
System FRU Number         : 01PF000
System Machine Type Model : 7Y81CT02WW
System Machine Serial Number : MMM0000000
System Hardware Revision  : 3
System Management MAC     : 3C:2C:99:F8:91:40
...
```

For more information about using the switch interface, see the *Application Guide* and *Command Reference* for the NE1072T and its corresponding Lenovo Network Operating System and firmware version.

Chapter 5. Initializing the NE1072T

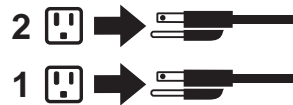
When you supply power to the NE1072T, the switch initializes automatically for basic functions.

Statement 5





CAUTION:

The power control button on the device and the power switch on the power supply do not turn off the electrical current supplied to the device. The device also might have more than one power cord. To remove all electrical current from the device, ensure that all power cords are disconnected from the power source.



System Status LEDs

The following LEDs on the switch front panel indicate the overall system status:

- Power  - Steady green if the power supply modules are on and operational, flashing green in case of a power supply failure, or off in case of a total power supply failure.
- Service  - Off if the system is OK, or flashing if service is required.

For additional LED indicators, see the appropriate section in [Chapter 2, “Switch Components”](#).

Logging Into the Switch

For details on how to connect to the switch, see [“Connecting to the Switch” on page 26](#).

When the switch starts, it performs initial self tests, and then prompts for the login. For example:

```
***** Booting Lenovo CNOS image 1 *****
4019996 bytes read in 338 ms (11.3 MiB/s)
30611 bytes read in 139 ms (214.8 KiB/s)
***** Booting active image 1 *****
Booting OS

Starting udev
Starting DHCP server:

...

NE1072T login:
```

At the prompt, type the switch username and password and press **Enter**. The default username is `admin` and the default password is `admin`.

Notes: If the switch has already started prior to your connection, you may need to press **Enter** to display the password prompt.

After successfully logging into the switch, the following CLI prompt is displayed:

```
NOS 10.8.5.0 Lenovo ThinkSystem NE1072T RackSwitch, Oct 23 01:27:54 2018
NE1072T>
```

Changing the Default Network Administrator Password

After logging onto the switch for the first time, a screen prompt appears requesting you to change the default network administrator password.

```
You are required to change your default 'admin' user password immediately
Changing password for admin.

Current Administrator password:

Choose a strong password (Min 8 chars, at least 1 uppercase, 1 lowercase,
1 number etc.)
New Administrator password:
Retype new Administrator password:
```

You must enter the current network administrator password, then set up a new password and then enter it a second time for confirmation.

The switch requires the use of strong passwords for user access. Strong passwords enhance security by making password guessing more difficult.

The following rules must be followed when changing the network administrator password:

- Minimum length: 8 characters; maximum length: 80 characters
- Must contain at least one uppercase letter
- Must contain at least one lowercase letter
- Must contain at least one number
- Cannot be same as the username

Notes:

- After changing the default network administrator password, you must save the current running configuration. Otherwise, the new password is not saved. To save the current running configuration, use one of the following commands:

```
NE1072T# copy running-config startup-config
```

```
NE1072T# write
```

- If you do not configure a new network administrator password, your current session on the switch is terminated. You are not permitted to configure the switch until you change the default network administrator password.

Default Configuration Files

The switch firmware contains default configuration files that are loaded at the factory. When the switch first initializes, the default configuration files are loaded into the active switch memory. The default settings allow the switch to perform basic functions with minimal effort by the system administrator.

Custom configuration settings made by the administrator overrides the default settings and can be saved so that they are retained if the switch is rebooted. However, if desired, you can revert the custom configuration settings to the original factory defaults. The original factory default configuration files are a permanent part of the firmware; you cannot delete them or change their original definitions.

To reset the switch to its factory defaults, you can use one of the following methods:

- Use the CLI to reset the switch to factory defaults:

Erase the switch startup configuration:

```
NE1072T> enable
NE1072T# write erase

Warning: This command will erase the startup-configuration.
Do you wish to proceed anyway? (y/n) [n] y
```

Enter **y** at the prompt to confirm the erasing process and then reload the switch:

```
NE1072T# reload
```

- Using the Management Boot Menu by selecting **Change configuration to factory default**. For more details, see [“The Boot Management Menu” on page 83](#).

Configuring the Management Interface for Remote Access

To manage the switch remotely using Telnet or SNMP you must first configure the management interface. You can use DHCP to automatically configure the interface (enabled by default), or you can manually configure the following IP parameters:

- IP address and subnet mask
- Gateway address

By default, DHCP is enabled on the management interface. If there is no DHCP offer received, the switch uses the default management IP address (192 . 168 . 50 . 50/24). This address is overwritten when a DHCP address is received for that interface. If DHCP is enabled and there is no static address configured for DHCP, requests continue to be sent. This feature does not change existing DHCP functionality.

To configure the management interface for remote management, you can choose between following two options:

- configure an out-of-band management IP address and a default gateway
- configure an in-band management IP address over a Switch Virtual Interface (SVI) interface and an associated default gateway

After you configure the IP address for your switch and you have an existing network connection, you can use the Telnet program from an external management station to access and control the switch. The management station and your switch must be on the same IP subnet.

The switch CLI allows you to configure and control the switch over the network using the Telnet program. You can use the CLI to perform many basic network management functions. In addition, you can configure the switch for management using an SNMP-based network management system.

Note: While SSH is enabled by default on the switch, Telnet is disabled. To enable Telnet, use the following command:

```
NE1072T> enable
NE1072T# configure [terminal]
NE1072T(config)# feature telnet
```

For more information about using the CLI, see the *Command Reference* guide for your specific switch and firmware version.

Out-of-Band Management Interface Configuration

Complete the following steps to configure an out-of-band management IP address and a default gateway:

1. Log onto the switch using the serial console port or management port on the NE1072T front panel.
2. Enter the management interface configuration mode:

```
NE1072T> enable
NE1072T# configure [terminal]
NE1072T(config)# interface mgmt 0
NE1072T(config-if)#
```

3. Configure an IP address and subnet mask:

```
NE1072T(config-if)# ip address 10.254.87.6/24
NE1072T(config-if)# exit
NE1072T(config)#
```

4. Configure the out-of-band default gateway:

```
NE1072T(config)# vrf context management
NE1072T(config-vrf)# ip route 0.0.0.0/0 205.21.17.1
NE1072T(config-vrf)# exit
NE1072T(config)#
```

In-Band Management Interface Configuration

Complete the following steps to configure an in-band management IP address over an SVI interface and an associated default gateway:

1. Log onto the switch using the serial console port or management port on the NE1072T front panel.
2. Enter the SVI interface configuration mode:

```
NE1072T> enable
NE1072T# configure [terminal]
NE1072T(config)#
```

3. Configure the in-band management IP address:

```
NE1072T(config)# interface vlan 1
NE1072T(config-if)# ip address 10.254.87.6/24
NE1072T(config-if)# exit
NE1072T(config)#
```

4. Configure the in-band default gateway:

```
NE1072T(config)# ip route 0.0.0.0/0 205.21.17.1
```

Updating Firmware

If firmware updates are available, you can download them from the Lenovo website. The switch might have features that are not described in the documentation that comes with the switch, and the documentation might be updated occasionally to include information about those features, or technical updates might be available to provide additional information that is not included in the switch documentation.

Before updating the firmware, we recommend you save a copy of the current switch configuration to a separate device. In the event of a failed update, the saved configuration can be restored. For more information about the configuration file, see the *Application Guide* for your specific switch and firmware version.

Attention: Before you install a firmware update, read any release notes, readme files, and change history files that are provided with the downloaded update. These files contain important information about the update and the procedure for installing the update, including any special procedure for updating from an early firmware version to the latest version.

To check for firmware and documentation updates, go to the Lenovo website:

<https://support.lenovo.com/>

Note: Changes are made periodically to the Lenovo website. Procedures for locating firmware and documentation might vary slightly from what is described in this document.

To update the firmware image on the switch, consult “*Chapter 4. Switch Software Management*” of the *Application Guide* for the NE1072T.

The Boot Management Menu

The Boot Management menu allows you to switch the NOS image, reset the default user password, or to recover from a failed software installation.

You can interrupt the startup process and enter the Boot Management menu from the serial console port. When the system displays the following message, press **Shift + B**. The Boot Management menu appears.

```
The system is going down for reboot NOW!
INIT: reboot: Restarting system

...

Press shift-B for startup menu or shift-R for recovery mode: ..
Running Startup Menu

...

Boot Management Menu
  I - Change booting image
  C - Change configuration to factory default
  R - Boot in recovery mode (tftp and xmodem download of images to
recover switch)
  P - Reset the Network Administrator (admin) password
  B - Reset the password required to enter privileged exec mode
  Q - Reboot
  E - Exit
Please choose your menu option:
```

The Boot Management menu allows you to perform the following actions:

- To change the booting image, press **I** and follow the screen prompts.
- To reset the switch configuration to factory defaults, press **C** and follow the screen prompts.
- To boot in recovery mode, press **R**.
- To reset the Network Administrator account (admin) password, press **P** and follow the screen prompts.
- To reset the password required to enter Privileged EXEC configuration mode, press **B** and follow the screen prompts.
- To reload the switch, press **Q**. The reloading process restarts.
- To exit the Boot Management menu, press **E**. The reloading process continues.

Boot Recovery Mode

The Boot Recovery Mode allows you to recover from a failed software or boot image upgrade using TFTP or XModem download.

To enter Boot Recovery Mode you must select the **Startup in recovery mode** option from the Boot Management Menu.

```
Entering Rescue Mode.
Please select one of the following options:
    T) Configure networking and tftp download an image
    X) Use xmodem 1K to serial download an image
    P) Physical presence (low security mode)
    F) Filesystem check
    R) Reboot
    E) Exit

Option? :
```

The Boot Recovery Mode menu allows you to perform the following actions:

- To recover from a failed software or boot image upgrade using TFTP, enter **T** and follow the screen prompts. For more details, see [“Recover from a Failed Image Upgrade using TFTP” on page 85](#).
- To recover from a failed software or boot image upgrade using XModem download, enter **X** and follow the screen prompts. For more details, see [“Recovering from a Failed Image Upgrade using XModem Download” on page 87](#).
- To enable the loading of a special image, enter **P** and follow the screen prompts. For more details, see [“Physical Presence” on page 89](#).
- To check if the switch is ready to run Cloud NOS software, enter **F**. It performs a check to see if the filesystem is optimally partitioned and updates it accordingly.
- To restart the reload process from the beginning, enter **R**.
- To exit Boot Recovery Mode menu, enter **E**.

Recover from a Failed Image Upgrade using TFTP

Use the following procedure to recover from a failed image upgrade using TFTP:

1. Connect a PC to the console port of the switch.
2. Open a terminal emulator program that supports the Telnet protocol (for example, HyperTerminal, SecureCRT, or PuTTY) and input the proper hostname or IP address and the port to connect to the console interface of the switch.
3. Reload the switch and access the Boot Management menu by pressing **Shift + B** when the following message appears and the dots are being displayed.

```
Press shift-B for startup menu or shift-R for recovery mode: ...
```

4. Enter Boot Recovery Mode by selecting **R**. The Recovery Mode menu appears.
5. To start the recovery process using TFTP, select **T**. The following message appears:

```
Performing TFTP rescue. Please answer the following questions (enter 'q' to quit):
```

6. Enter the IP address of the management port:

```
IP addr :
```

7. Enter the network mask of the management port:

```
Netmask :
```

8. Enter the gateway of the management port:

```
Gateway :
```

9. Enter the IP address of the TFTP server:

```
Server addr :
```

10. Enter the file path and the filename of the image:

```
Image Filename:
```

After the procedure is complete, the Recovery Mode menu is displayed.

Following is an example of a successful recovery procedure using TFTP:

```
Entering Rescue Mode.
Please select one of the following options:
    T) Configure networking and tftp download an image
    X) Use xmodem 1K to serial download an image
    P) Physical presence (low security mode)
    F) Filesystem check
    R) Reboot
    E) Exit

Option? : t
Performing TFTP rescue. Please answer the following questions (enter 'q'
to quit):
IP addr :10.241.6.4
Netmask :255.255.255.128
Gateway :10.241.6.66
Server addr:10.72.97.135
Image Filename: NE1072T-CNOS-10.8.5.0.imgs
           Netmask : 255.255.255.128
           Gateway : 10.241.6.66
Configuring management port.....
Installing image NE1072T-CNOS-10.8.5.0.imgs from TFTP server 10.72.97.135

Extracting images ... Do *NOT* power cycle the switch.
Installing Application: Image signature verified.
Installing image as standby image: 100%

Standby image update succeeded
Updating install log. File NE1072T-CNOS-10.8.5.0.imgs installed from
10.72.97.135 at 15:29:30 on 12-3-2015
Please select one of the following options:
    T) Configure networking and tftp download an image
    X) Use xmodem 1K to serial download an image
    P) Physical presence (low security mode)
    F) Filesystem check
    R) Reboot
    E) Exit

Option? :
```

Recovering from a Failed Image Upgrade using XModem Download

Use the following procedure to recover from a failed image upgrade.

1. Connect a PC to the serial port of the switch.
2. Open a terminal emulator program that supports Xmodem download (for example, HyperTerminal, SecureCRT or PuTTY) and select the following serial port characteristics:

- Speed: 9,600 bps
- Data Bits: 8
- Stop Bits: 1
- Parity: None
- Flow Control: None

3. Reload the switch and access the Boot Management menu by pressing **Shift + B** when the following message appears and the dots are being displayed.

```
Press shift-B for startup menu or shift-R for recovery mode: ...
```

4. Enter Boot Recovery Mode by selecting **R**. The Recovery Mode menu appears.
5. Select X for Xmodem download. The following is displayed:

```
Running xmodem rescue.....
```

6. When you see the following message, change the Serial Port speed to 115,200 bps:

```
Change the baud rate to 115200 bps and hit the <ENTER> key before  
initiating the download.
```

7. Press **Enter** to set the system into download accept mode. When the readiness meter displays (a series of "C" characters), start Xmodem on your terminal emulator. The following is displayed:

```
... Waiting for the <Enter> key to be hit before the download can start...  
CC
```

8. Select the image to download. Xmodem initiates the file transfer. When download is complete, you are asked to change the Serial Port speed back to 9,600 bps:

```
Change the baud rate back to 9600 bps, hit the <ENTER> key
```

9. Press **Enter** to start installing the image.

The image install begins. After the procedure is complete, the Recovery Mode menu is displayed.

```
Extracting images ... Do *NOT* power cycle the switch.
Installing Root Filesystem:
Image signature verified. 100%
Installing Kernel:
Image signature verified. 100%
Installing Device Tree:
Image signature verified. 100%
Installing Boot Loader: 100%
Updating install log. File image installed from xmodem at 18:06:02 on
13-3-2015
Please select one of the following options:
    T) Configure networking and tftp download an image
    X) Use xmodem 1K to serial download an image
    P) Physical presence (low security mode)
    F) Filesystem check
    R) Reboot
    E) Exit

Option? :
```

Boot image recovery is complete.

Physical Presence

Use the following procedure to enable the installation of special images on the switch, when a deeper troubleshooting analysis is required:

1. Connect a PC to the console port of the switch.
2. Open a terminal emulator program that supports a serial port connection and select the following serial port characteristics:
 - Speed: 9,600 bps
 - Data Bits: 8
 - Stop Bits: 1
 - Parity: None
 - Flow Control: None
3. Boot the switch and access the Boot Management menu by pressing **Shift + B** when the following message appears and the dots are being displayed.

```
Press shift-B for startup menu or shift-R for recovery mode: ...
```

4. Enter Boot Recovery Mode by selecting **R**. The Recovery Mode menu appears.
5. To begin the Physical Presence procedure, select **P**. The following warning message appears and you are prompted for confirmation (enter **y** to confirm):

```
WARNING: the following test is used to determine physical presence and if
completed will put the switch in low security mode.

Do you wish to continue y/n? y
```

6. A security test is performed. The system location (blue) LED blinks a number of times between 1 and 12. Enter that number:

```
Hit a key to start the test. The blue location LED will blink a number of
times.

.....
How many times did the LED blink?
```

7. After entering the correct number, the Recovery Mode menu reappears. To install a special image, use one of the following procedures:
 - TFTP (for details, see [page 85](#))
 - XModem Download (for details, see [page 87](#))

Note: You have three attempts to successfully complete the security test. After three incorrect attempts, the switch reboots.

After the test is completed, the switch is put in low security mode. This mode allows you to install special images on the switch. To revert to normal security mode, you must reboot the switch or enter **P** again in the Recovery Mode menu.

Chapter 6. Troubleshooting

This section contains basic troubleshooting information to help resolve problems that might occur during installation and operation of the switch. If you have problems accessing the switch or working with the firmware, see the *NE1072T Application Guide* and/or the *Command Reference*.

For information about calling Lenovo for service, see [Appendix A, “Getting Help and Technical Assistance”](#).

System LED Is Not Lit

Symptom: The power supply LED is not lit.

Solution: Check the power supply to make sure that there is a proper connection to the power source. Make sure that power is available from the power source.

Port Link LED Is Not Lit

Symptom: The port link LED is not lit.

Solution 1: Check the port configuration in the firmware (see the *Command Reference*). If the port is configured with a specific speed or duplex mode, check the other device to make sure that it is set to the same configuration. If the switch port is set to auto-negotiate, make sure that the other device is set to auto-negotiate.

Solution 2: Check the cables that connect the port to the other device. Make sure that they are connected correctly. Make sure that you are using the correct cable type.

Temperature Sensor Warning

Symptom: A temperature warning is displayed on the management console.

Solution: Make sure that the air circulation vents on the front, back, and sides of the switch are free from obstruction by cables, panels, rack frames, or other materials.

Make sure that all cooling fans inside the switch are running. A fan module LED (rear panel) flashes if there is a failure of the fan. The following CLI command displays fan status:

```
NE1072T> show sys-info
```

If any fan stops during switch operation, contact Customer Support.

Switch Does Not Initialize (Boot)

Symptom: All the switch LEDs stay on, and the command prompt is not displayed on the console.

Solution: The operating system might be damaged. Use the console port to perform a serial upgrade of the switch firmware. See the *Command Reference*.

Appendix A. Getting Help and Technical Assistance

If you need help, service, or technical assistance or just want more information about Lenovo products, you will find a wide variety of sources available from Lenovo to assist you.

Use this information to obtain additional information about Lenovo and Lenovo products, and determine what to do if you experience a problem with your Lenovo system or optional device.

Note: This section includes references to IBM web sites and information about obtaining service. IBM is Lenovo's preferred service provider for the System x, Flex System, and NeXtScale System products.

Before you call, make sure that you have taken these steps to try to solve the problem yourself.

If you believe that you require warranty service for your Lenovo product, the service technicians will be able to assist you more efficiently if you prepare before you call.

- Check all cables to make sure that they are connected.
- Check the power switches to make sure that the system and any optional devices are turned on.
- Check for updated software, firmware, and operating-system device drivers for your Lenovo product. The Lenovo Warranty terms and conditions state that you, the owner of the Lenovo product, are responsible for maintaining and updating all software and firmware for the product (unless it is covered by an additional maintenance contract). Your service technician will request that you upgrade your software and firmware if the problem has a documented solution within a software upgrade.
- If you have installed new hardware or software in your environment, check the [Lenovo Support portal](#) to make sure that the hardware and software is supported by your product., and where you can check for information to help you solve the problem.
- Gather the following information to provide to the service technician. This data will help the service technician quickly provide a solution to your problem and ensure that you receive the level of service for which you might have contracted.
 - Hardware and Software Maintenance agreement contract numbers, if applicable
 - Machine type number (if applicable—Lenovo 4-digit machine identifier)
 - Model number
 - Serial number
 - Current system UEFI and firmware levels
 - Other pertinent information such as error messages and logs
- Start the process of determining a solution to your problem by making the pertinent information available to the service technicians. The IBM service technicians can start working on your solution as soon as you have completed and submitted an Electronic Service Request.

You can solve many problems without outside assistance by following the troubleshooting procedures that Lenovo provides in the online help or in the Lenovo product documentation. The Lenovo product documentation also describes the diagnostic tests that you can perform. The documentation for most systems, operating systems, and programs contains troubleshooting procedures and explanations of error messages and error codes. If you suspect a software problem, see the documentation for the operating system or program.

Appendix B. Notices

Lenovo may not offer the products, services, or features discussed in this document in all countries. Consult your local Lenovo representative for information on the products and services currently available in your area.

Any reference to a Lenovo product, program, or service is not intended to state or imply that only that Lenovo product, program, or service may be used. Any functionally equivalent product, program, or service that does not infringe any Lenovo intellectual property right may be used instead. However, it is the user's responsibility to evaluate and verify the operation of any other product, program, or service.

Lenovo may have patents or pending patent applications covering subject matter described in this document. The furnishing of this document does not give you any license to these patents. You can send license inquiries, in writing, to:

Lenovo (United States), Inc.
1009 Think Place - Building One
Morrisville, NC 27560
U.S.A.

Attention: Lenovo Director of Licensing

LENOVO PROVIDES THIS PUBLICATION "AS IS" WITHOUT WARRANTY OF ANY KIND, EITHER EXPRESS OR IMPLIED, INCLUDING, BUT NOT LIMITED TO, THE IMPLIED WARRANTIES OF NON-INFRINGEMENT, MERCHANTABILITY OR FITNESS FOR A PARTICULAR PURPOSE. Some jurisdictions do not allow disclaimer of express or implied warranties in certain transactions, therefore, this statement may not apply to you.

This information could include technical inaccuracies or typographical errors. Changes are periodically made to the information herein; these changes will be incorporated in new editions of the publication. Lenovo may make improvements and/or changes in the product(s) and/or the program(s) described in this publication at any time without notice.

The products described in this document are not intended for use in implantation or other life support applications where malfunction may result in injury or death to persons. The information contained in this document does not affect or change Lenovo product specifications or warranties.

Nothing in this document shall operate as an express or implied license or indemnity under the intellectual property rights of Lenovo or third parties. All information contained in this document was obtained in specific environments and is presented as an illustration. The result obtained in other operating environments may vary.

Lenovo may use or distribute any of the information you supply in any way it believes appropriate without incurring any obligation to you.

Any references in this publication to non-Lenovo Web sites are provided for convenience only and do not in any manner serve as an endorsement of those Web sites. The materials at those Web sites are not part of the materials for this Lenovo product, and use of those Web sites is at your own risk.

Any performance data contained herein was determined in a controlled environment. Therefore, the result obtained in other operating environments may vary significantly. Some measurements may have been made on development-level systems and there is no guarantee that these measurements will be the same on generally available systems. Furthermore, some measurements may have been estimated through extrapolation. Actual results may vary. Users of this document should verify the applicable data for their specific environment.

Trademarks

Lenovo, the Lenovo logo, Flex System, System x, NeXtScale System, and X-Architecture are trademarks of Lenovo in the United States, other countries, or both.

Intel and Intel Xeon are trademarks of Intel Corporation in the United States, other countries, or both.

Internet Explorer, Microsoft, and Windows are trademarks of the Microsoft group of companies.

Linux is a registered trademark of Linus Torvalds.

Other company, product, or service names may be trademarks or service marks of others.

Important Notes

Processor speed indicates the internal clock speed of the microprocessor; other factors also affect application performance.

CD or DVD drive speed is the variable read rate. Actual speeds vary and are often less than the possible maximum.

When referring to processor storage, real and virtual storage, or channel volume, KB stands for 1,024 bytes, MB stands for 1,048,576 bytes and GB stands for 1,073,741,824 bytes.

When referring to hard disk drive capacity or communications volume, MB stands for 1,000,000 bytes and GB stands for 1,000,000,000 bytes. Total user-accessible capacity can vary depending on operating environments.

Maximum internal hard disk drive capacities assume the replacement of any standard hard disk drives and population of all hard-disk-drive bays with the largest currently supported drives that are available from Lenovo.

Maximum memory might require replacement of the standard memory with an optional memory module.

Each solid-state memory cell has an intrinsic, finite number of write cycles that the cell can incur. Therefore, a solid-state device has a maximum number of write cycles that it can be subjected to, expressed as total bytes written (TBW). A device that has exceeded this limit might fail to respond to system-generated commands or might be incapable of being written to. Lenovo is not responsible for replacement of a device that has exceeded its maximum guaranteed number of program/erase cycles, as documented in the Official Published Specifications for the device.

Lenovo makes no representations or warranties with respect to non-Lenovo products. Support (if any) for the non-Lenovo products is provided by the third party, not Lenovo.

Some software might differ from its retail version (if available) and might not include user manuals or all program functionality.

Open Source Information

This Lenovo Switch may include software made publicly available by Lenovo, including software licensed under the General Public License and/or the Lesser General Public License (the "open source software").

You may obtain the corresponding machine-readable copy for any such open source software licensed under the General Public License and/or the Lesser General Public License (or any other license requiring us to make a written offer to provide corresponding source code to you) from Lenovo for a period of three years without charge except for the cost of media, shipping, and handling, upon written request to Lenovo. This offer is valid to anyone in receipt of this Lenovo Switch. You may send your request in writing to the address below accompanied by a check or money order for \$5 to:

Lenovo Legal Department
8001 Development Dr.
Morrisville, NC 27560
U.S.A.

Attention: Open Source Team / Source Code Requests

Please include both a "NOS" Release version and model number or Machine Type (MT) of your Lenovo Switch as part of your request. Be sure to provide a return address.

The open source software is distributed in hope it will be useful, but WITHOUT ANY WARRANTY; without even the implied warranty of MERCHANTABILITY or FITNESS FOR A PARTICULAR PURPOSE. See for example the GNU General Public License and/or the Lesser General Public License for more information.

Visit <https://datacentersupport.lenovo.com/us/en/> and enter the model number or Machine Type (MT) for your Switch to view additional information regarding licenses, acknowledgments and required copyright notices for the open source software used on your Switch.

Recycling Information

Lenovo encourages owners of information technology (IT) equipment to responsibly recycle their equipment when it is no longer needed. Lenovo offers a variety of programs and services to assist equipment owners in recycling their IT products. For information on recycling Lenovo products, go to:

<https://www.lenovo.com/recycling>

Particulate Contamination

Attention: Airborne particulates (including metal flakes or particles) and reactive gases acting alone or in combination with other environmental factors such as humidity or temperature might pose a risk to the device that is described in this document.

Risks that are posed by the presence of excessive particulate levels or concentrations of harmful gases include damage that might cause the device to malfunction or cease functioning altogether. This specification sets forth limits for particulates and gases that are intended to avoid such damage. The limits must not be viewed or used as definitive limits, because numerous other factors, such as temperature or moisture content of the air, can influence the impact of particulates or environmental corrosives and gaseous contaminant transfer. In the absence of specific limits that are set forth in this document, you must implement practices that maintain particulate and gas levels that are consistent with the protection of human health and safety. If Lenovo determines that the levels of particulates or gases in your environment have caused damage to the device, Lenovo may condition provision of repair or replacement of devices or parts on implementation of appropriate remedial measures to mitigate such environmental contamination. Implementation of such remedial measures is a customer responsibility..

Contaminant	Limits
Particulate	<ul style="list-style-type: none"> The room air must be continuously filtered with 40% atmospheric dust spot efficiency (MERV 9) according to ASHRAE Standard 52.2¹. Air that enters a data center must be filtered to 99.97% efficiency or greater, using high-efficiency particulate air (HEPA) filters that meet MIL-STD-282. The deliquescent relative humidity of the particulate contamination must be more than 60%². The room must be free of conductive contamination such as zinc whiskers.
Gaseous	<ul style="list-style-type: none"> Copper: Class G1 as per ANSI/ISA 71.04-1985³ Silver: Corrosion rate of less than 300 Å in 30 days

¹ ASHRAE 52.2-2008 - *Method of Testing General Ventilation Air-Cleaning Devices for Removal Efficiency by Particle Size*. Atlanta: American Society of Heating, Refrigerating and Air-Conditioning Engineers, Inc.

² The deliquescent relative humidity of particulate contamination is the relative humidity at which the dust absorbs enough water to become wet and promote ionic conduction.

³ ANSI/ISA-71.04-1985. *Environmental conditions for process measurement and control systems: Airborne contaminants*. Instrument Society of America, Research Triangle Park, North Carolina, U.S.A.

Telecommunication Regulatory Statement

This product may not be certified in your country for connection by any means whatsoever to interfaces of public telecommunications networks. Further certification may be required by law prior to making any such connection. Contact a Lenovo representative or reseller for any questions.

Electronic Emission Notices

When you attach a monitor to the equipment, you must use the designated monitor cable and any interference suppression devices that are supplied with the monitor.

Federal Communications Commission (FCC) Statement

Note: This equipment has been tested and found to comply with the limits for a Class A digital device, pursuant to Part 15 of the FCC Rules. These limits are designed to provide reasonable protection against harmful interference when the equipment is operated in a commercial environment. This equipment generates, uses, and can radiate radio frequency energy and, if not installed and used in accordance with the instruction manual, may cause harmful interference to radio communications. Operation of this equipment in a residential area is likely to cause harmful interference, in which case the user will be required to correct the interference at his own expense.

Properly shielded and grounded cables and connectors must be used to meet FCC emission limits. Lenovo is not responsible for any radio or television interference caused by using other than recommended cables and connectors or by unauthorized changes or modifications to this equipment. Unauthorized changes or modifications could void the user's authority to operate the equipment.

This device complies with Part 15 of the FCC Rules. Operation is subject to the following two conditions: (1) this device may not cause harmful interference, and (2) this device must accept any interference received, including interference that might cause undesired operation.

Industry Canada Class A Emission Compliance Statement

This Class A digital apparatus complies with Canadian ICES-003.

Avis de Conformité à la Réglementation d'Industrie Canada

Cet appareil numérique de la classe A est conforme à la norme NMB-003 du Canada.

Australia and New Zealand Class A Statement

Attention: This is a Class A product. In a domestic environment this product may cause radio interference in which case the user may be required to take adequate measures.

European Union - Compliance to the Electromagnetic Compatibility Directive

This product is in conformity with the protection requirements of EU Council Directive 2004/108/EC (until April 19, 2016) and EU Council Directive 2014/30/EU (from April 20, 2016) on the approximation of the laws of the Member States relating to electromagnetic compatibility. Lenovo cannot accept responsibility for any failure to satisfy the protection requirements resulting from a non-recommended modification of the product, including the installation of option cards from other manufacturers.

This product has been tested and found to comply with the limits for Class A equipment according to European Standards harmonized in the Directives in compliance. The limits for Class A equipment were derived for commercial and industrial environments to provide reasonable protection against interference with licensed communication equipment.



Lenovo, Einsteinova 21, 851 01 Bratislava, Slovakia

Warning: This is a Class A product. In a domestic environment this product may cause radio interference in which case the user may be required to take adequate measures.

Germany Class A Statement

Deutschsprachiger EU Hinweis:

Hinweis für Geräte der Klasse A EU-Richtlinie zur Elektromagnetischen Verträglichkeit

Dieses Produkt entspricht den Schutzanforderungen der EU-Richtlinie 2014/30/EU (früher 2004/108/EC) zur Angleichung der Rechtsvorschriften über die elektromagnetische Verträglichkeit in den EU-Mitgliedsstaaten und hält die Grenzwerte der Klasse A der Norm gemäß Richtlinie.

Um dieses sicherzustellen, sind die Geräte wie in den Handbüchern beschrieben zu installieren und zu betreiben. Des Weiteren dürfen auch nur von der Lenovo empfohlene Kabel angeschlossen werden. Lenovo übernimmt keine Verantwortung für die Einhaltung der Schutzanforderungen, wenn das Produkt ohne Zustimmung der Lenovo verändert bzw. wenn Erweiterungskomponenten von Fremdherstellern ohne Empfehlung der Lenovo gesteckt/eingebaut werden.

Deutschland:

Einhaltung des Gesetzes über die elektromagnetische Verträglichkeit von Betriebsmitteln

Dieses Produkt entspricht dem „Gesetz über die elektromagnetische Verträglichkeit von Betriebsmitteln“ EMVG (früher „Gesetz über die elektromagnetische Verträglichkeit von Geräten“). Dies ist die Umsetzung der EU-Richtlinie 2014/30/EU (früher 2004/108/EC) in der Bundesrepublik Deutschland.

Zulassungsbescheinigung laut dem Deutschen Gesetz über die elektromagnetische Verträglichkeit von Betriebsmitteln, EMVG vom 20. Juli 2007 (früher Gesetz über die elektromagnetische Verträglichkeit von Geräten), bzw. der EMV EU Richtlinie 2014/30/EU (früher 2004/108/EC), für Geräte der Klasse A.

Dieses Gerät ist berechtigt, in Übereinstimmung mit dem Deutschen EMVG das EG-Konformitätszeichen - CE - zu führen. Verantwortlich für die Konformitätserklärung nach Paragraph 5 des EMVG ist die Lenovo (Deutschland) GmbH, Meitnerstr. 9, D-70563 Stuttgart.

Informationen in Hinsicht EMVG Paragraph 4 Abs. (1) 4:

Das Gerät erfüllt die Schutzanforderungen nach EN 55024 und EN 55022 Klasse A.

Nach der EN 55022: „Dies ist eine Einrichtung der Klasse A. Diese Einrichtung kann im Wohnbereich Funkstörungen verursachen; in diesem Fall kann vom Betreiber verlangt werden, angemessene Maßnahmen durchzuführen und dafür aufzukommen.“

Nach dem EMVG: „Geräte dürfen an Orten, für die sie nicht ausreichend entstört sind, nur mit besonderer Genehmigung des Bundesministers für Post und Telekommunikation oder des Bundesamtes für Post und Telekommunikation betrieben werden. Die Genehmigung wird erteilt, wenn keine elektromagnetischen Störungen zu erwarten sind.“ (Auszug aus dem EMVG, Paragraph 3, Abs. 4). Dieses Genehmigungsverfahren ist nach Paragraph 9 EMVG in Verbindung mit der entsprechenden Kostenverordnung (Amtsblatt 14/93) kostenpflichtig.

Anmerkung: Um die Einhaltung des EMVG sicherzustellen sind die Geräte, wie in den Handbüchern angegeben, zu installieren und zu betreiben.

Japan VCCI Class A Statement

この装置は、クラス A 情報技術装置です。この装置を家庭環境で使用する
と電波妨害を引き起こすことがあります。この場合には使用者が適切な対策
を講ずるよう要求されることがあります。 VCCI-A

This is a Class A product based on the standard of the Voluntary Control Council for Interference (VCCI). If this equipment is used in a domestic environment, radio interference may occur, in which case the user may be required to take corrective actions.

Japan Electronics and Information Technology Industries Association (JEITA) Statement

高調波ガイドライン適合品

Japan Electronics and Information Technology Industries Association (JEITA)
Confirmed Harmonics Guidelines (products less than or equal to 20 A per phase)

高調波ガイドライン準用品

Japan Electronics and Information Technology Industries Association (JEITA)
Confirmed Harmonics Guidelines with Modifications (products greater than 20 A per phase).

Korea Communications Commission (KCC) Statement

이 기기는 업무용(A급)으로 전자파적합기기로
서 판매자 또는 사용자는 이 점을 주의하시기
바라며, 가정외의 지역에서 사용하는 것을 목
적으로 합니다.

This is electromagnetic wave compatibility equipment for business (Type A). Sellers and users need to pay attention to it. This is for any areas other than home.

Russia Electromagnetic Interference (EMI) Class A statement

ВНИМАНИЕ! Настоящее изделие относится к классу А.
В жилых помещениях оно может создавать радиопомехи, для
снижения которых необходимы дополнительные меры

People's Republic of China Class A electronic emission statement

中华人民共和国“A类”警告声明

声明

此为A级产品，在生活环境中，该产品可能会造成无线电干扰。在这种情况下，可能需要用户对其干扰采取切实可行的措施。

Taiwan Class A compliance statement

警告使用者：
這是甲類的資訊產品，在
居住的環境中使用時，可
能會造成射頻干擾，在這
種情況下，使用者會被要
求採取某些適當的對策。

Taiwan BSMI RoHS declaration

設備名稱：三層交換器 · 型號 (型式)：NE1072T Equipment Name · Type Designation (Type)						
單元 Unit	限用物質及其化學符號 Restricted Substances and their Chemical Symbols					
	鉛 Lead (Pb)	汞 Mercury (Hg)	鎘 Cadmium (Cd)	六價鉻 Hexavalent chromium (Cr ⁺⁶)	多溴聯苯 Polybrominated biphenyls (PBB)	多溴二苯醚 Polybrominated diphenyl ethers (PBDE)
外殼	○	○	○	○	○	○
印刷電路板	-	○	○	○	○	○
電源供應器	-	○	○	○	○	○
線材	-	○	○	○	○	○

備考 1. “超出 0.1 wt %” 及 “超出 0.01 wt %” 係指限用物質之百分比含量超出百分比含量基準值。

Note 1: “Exceeding 0.1 wt %” and “exceeding 0.01 wt %” indicate that the percentage content of the restricted substance exceeds the reference percentage value of presence condition.

備考 2. “○” 係指該項限用物質之百分比含量未超出百分比含量基準值。

Note 2: “?” indicates that the percentage content of the restricted substance does not exceed the reference percentage value of presence.

備考 3. “-” 係指該項限用物質為排除項目。

Note 3: The “-” indicates that the restricted substance corresponds to the exemption.

Appendix C. Technical Specifications

The NE1072T technical specifications are described in the following sections.

Physical Characteristics

The physical characteristics of the NE1072T are listed in the following table.

Table 13. *Physical characteristics*

Specification	Physical characteristics
Dimensions (H x W x D)	4.35 x 44.1 x 48.7 cm (1.71 x 17.4 x 19.2 in)
Weight	11.5 kg (25 lb) maximum
Airflow	Available options for rear to front, or front to rear airflow

Environmental Specifications

The environmental specifications for the NE1072T are listed in the following table.

Table 14. *NE1072T environmental specifications*

Specification	Measurement
Temperature, ambient operating	0 °C to +40 °C (32 °F to 104 °F)
Temperature (one fan failure), operating	0 °C to +35 °C (32 °F to 95 °F)
Temperature, storage	-40 °C to +75 °C (-40 °F to 167 °F)
Relative humidity (non-condensing), operating	10 to 90%
Relative humidity (non-condensing), storage	10 to 90%
Altitude, operating	2000 m (6562 ft)
Altitude, storage	N/A
Acoustic noise	Less than 65 dB
Heat dissipation	690 BTU/h (typical) 1080 BTU/h (maximum)

Power Specifications

The power specifications for the NE1072T are listed in the following table.

Table 15. *NE1072T AC power specifications*

Specification	Measurement
Number of power supplies	2 (1+1 load sharing/redundant)
AC-input frequency (universal)	50–60 Hz
AC-input voltage (universal)	100–240 VAC
AC inrush current	13 A
AC-input current (typical)	1.68 A (RMS) @ 120 VAC 0.85 A (RMS) @ 230 VAC
AC-input current (maximum)	2.63 A (RMS) @ 120 VAC 1.35 A (RMS) @ 230 VAC
Power supply rated output power	770 W each (front-to-rear airflow) 770 W each (rear-to-front airflow)
System power dissipation (typical)	201 W
System power dissipation (maximum)	317 W
DC-output current (typical)	13.4 A @ 12 V

Switching Performance

The feature performance characteristics of the NE1072T are listed in the following table.

Table 16. *NE1072T feature performance characteristics*

Feature	Characteristics
Switching architecture	Non-blocking
Throughput	1.44 Tbps switching throughput
Ethernet line rate	100%
IEEE 802.1Q VLANs	4095, with 4K VLAN IDs up to 4092 VLANs can be configured
Forwarding database entries	212,992
Configurable physical interfaces	55 (static or DHCP): 54 data ports + 1 management port
ARP entries	32K

Note: The specific features supported on your switch, as well as some capacity and performance characteristics, depend on the specific firmware installed. For more information, see the *Application Guide* and *Command Reference* for your specific switch and its installed firmware.

